



US00D536208S

(12) **United States Design Patent**
Östlund et al.

(10) **Patent No.:** **US D536,208 S**

(45) **Date of Patent:** **** Feb. 6, 2007**

(54) **ELECTRIC RANGE**

D511,925 S * 11/2005 Baldwin D7/340
D511,926 S * 11/2005 Baldwin D7/340

(75) Inventors: **Per-Åke Östlund**, Solna (SE); **David A. Kynoch**, Co. Durham (GB); **Lynn Turnbull**, Tyne and Wear (GB); **Axel Mürmann**, Erlangen (DE); **Michael Thoenissen**, Fürth (DE)

* cited by examiner

Primary Examiner—Catherine R. Oliver
(74) *Attorney, Agent, or Firm*—Pearne & Gordon LLP

(73) Assignee: **Electrolux Home Products Corporation N.V.**, Zaventem (BE)

(57) **CLAIM**

The ornamental design for an electric range, as shown and described.

(**) Term: **14 Years**

DESCRIPTION

(21) Appl. No.: **29/244,909**

FIG. 1 is a perspective view showing a first embodiment of my new electric range;

(22) Filed: **Dec. 15, 2005**

FIG. 2 is a front view thereof;

(30) **Foreign Application Priority Data**

Jun. 16, 2005 (EM) 000356332

FIG. 3 is a right side view thereof, a left side view being a mirror image thereof;

(51) **LOC (8) Cl.** **07-02**

FIG. 4 is a top view thereof;

(52) **U.S. Cl.** **D7/340**

FIG. 5 is a perspective view showing a second embodiment of my new electric range;

(58) **Field of Classification Search** D7/340,
D7/346, 339–341, 402, 408; 126/19 R, 39 B,
126/39 C, 39 R; 219/391–392, 395
See application file for complete search history.

FIG. 6 is a front view thereof;

FIG. 7 is a right side view thereof, a left side view being a mirror image thereof; and,

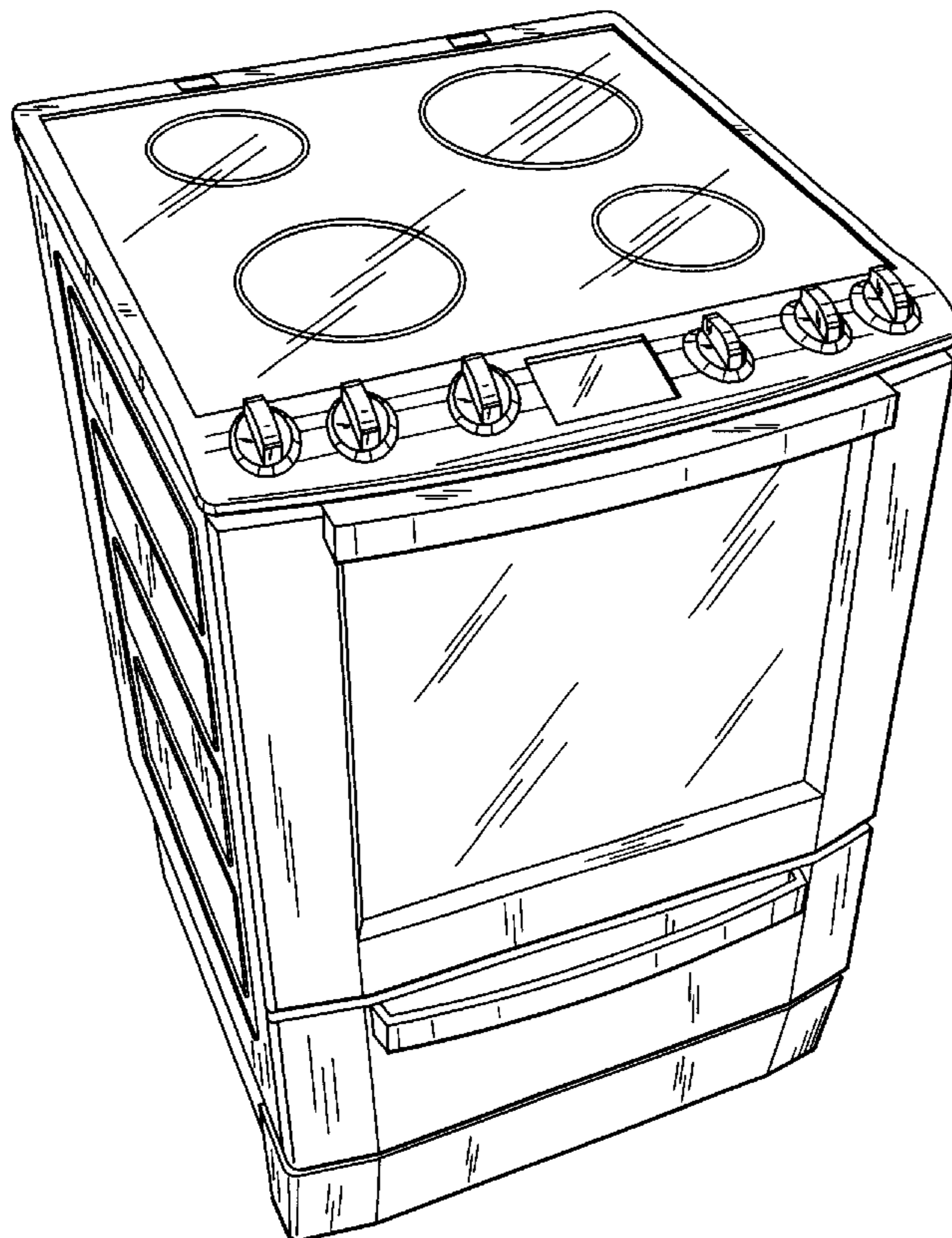
(56) **References Cited**

U.S. PATENT DOCUMENTS

D375,867 S * 11/1996 Sparks D7/340

FIG. 8 is a top view thereof.

1 Claim, 4 Drawing Sheets



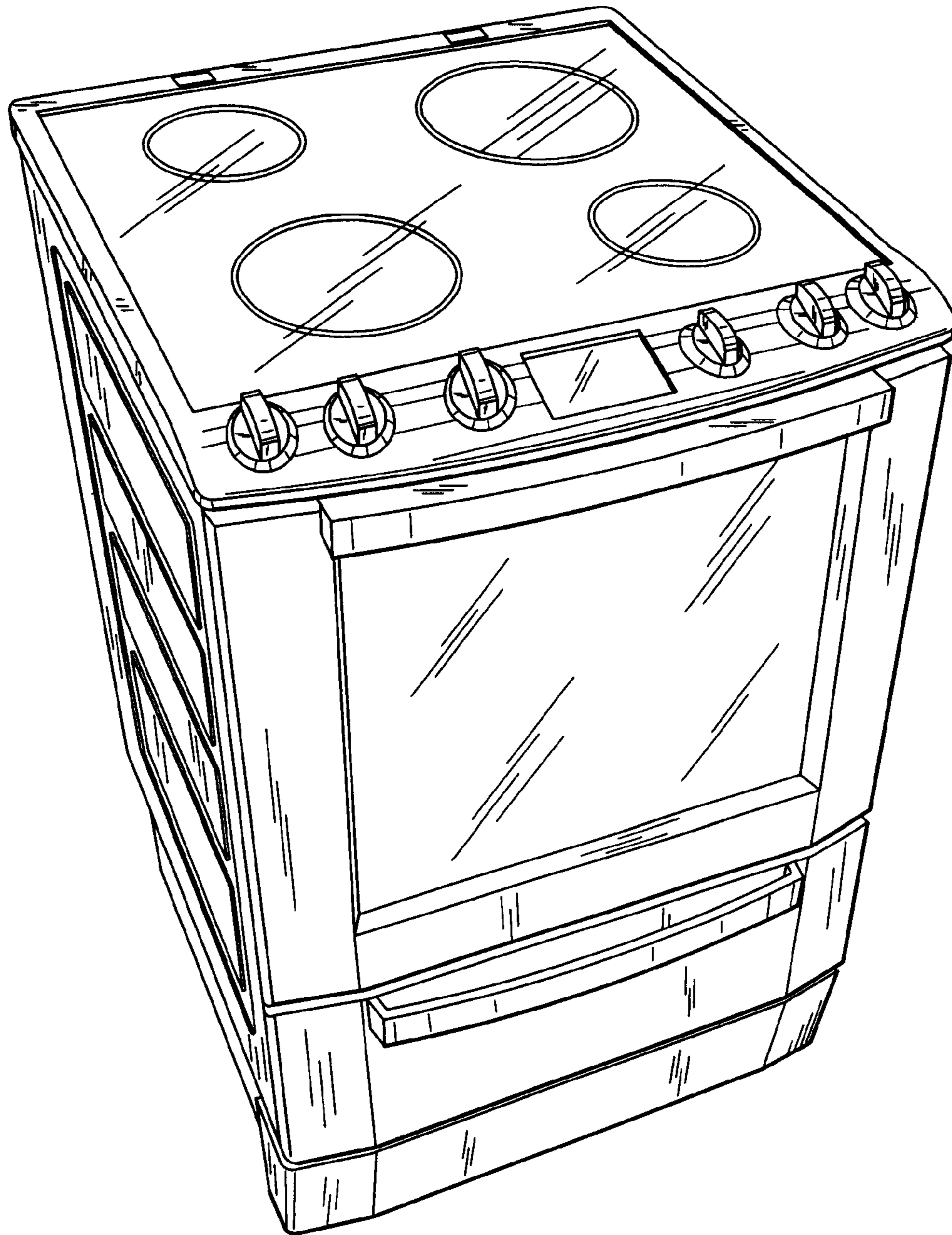


FIG. 1

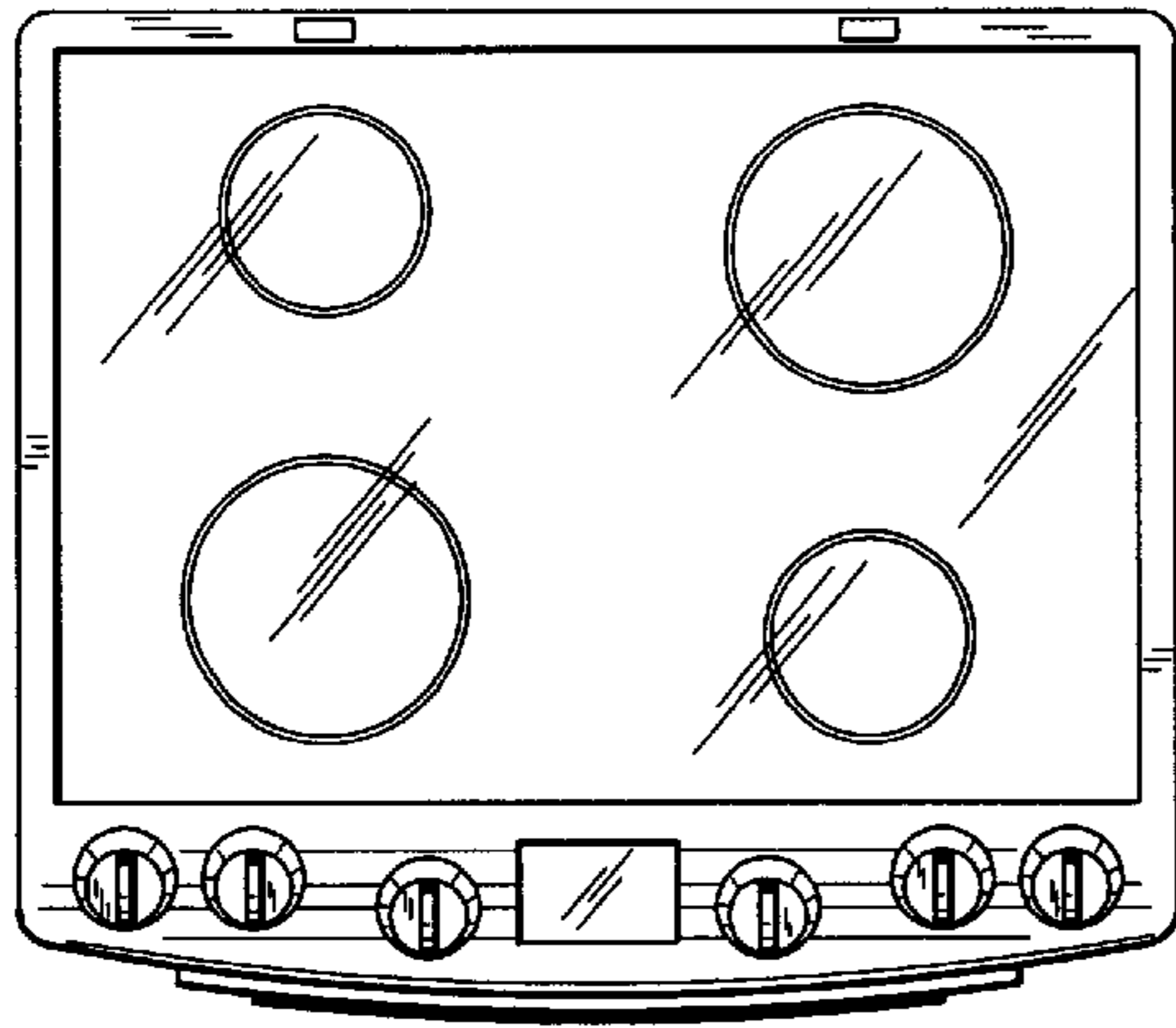


FIG. 4

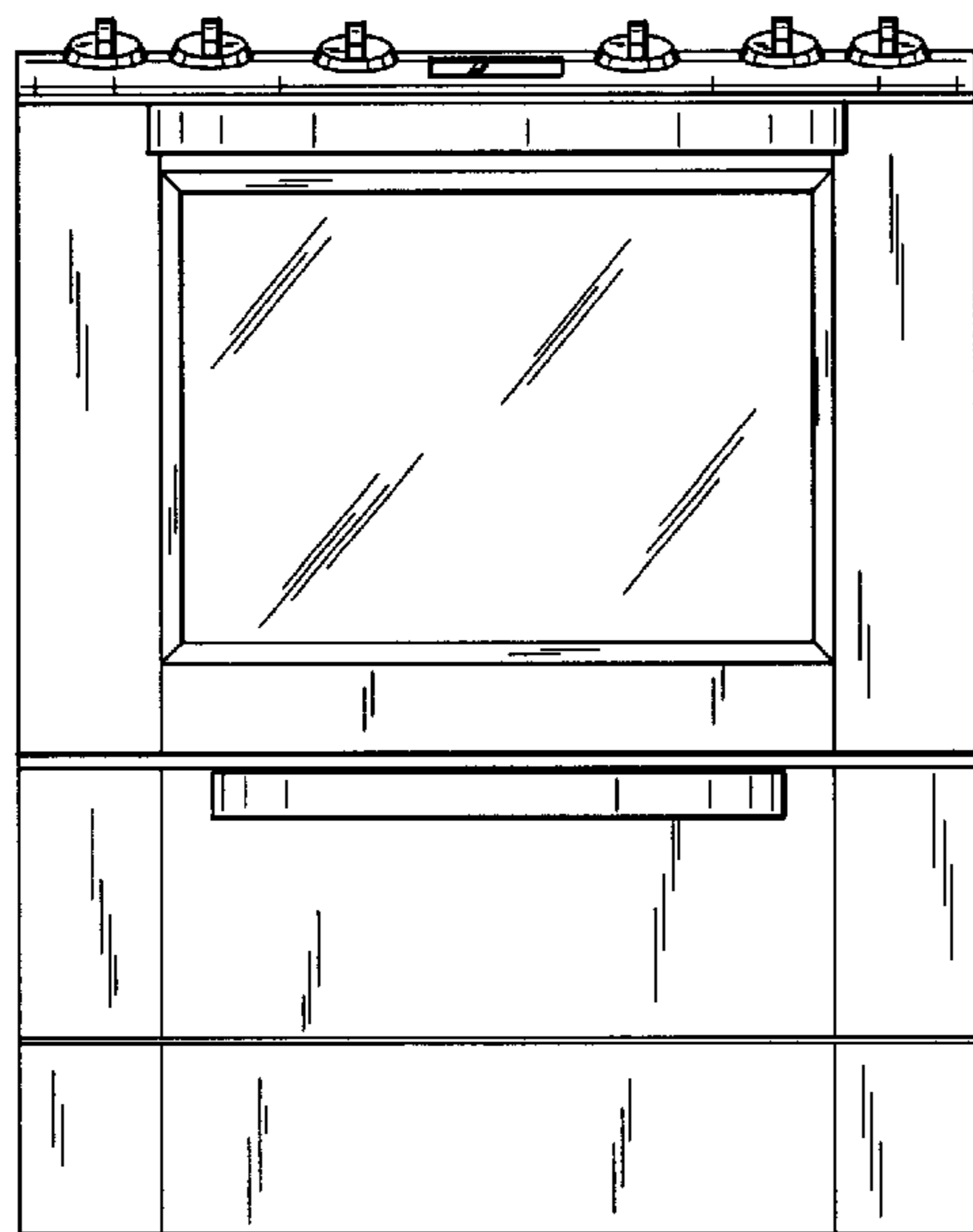


FIG. 2

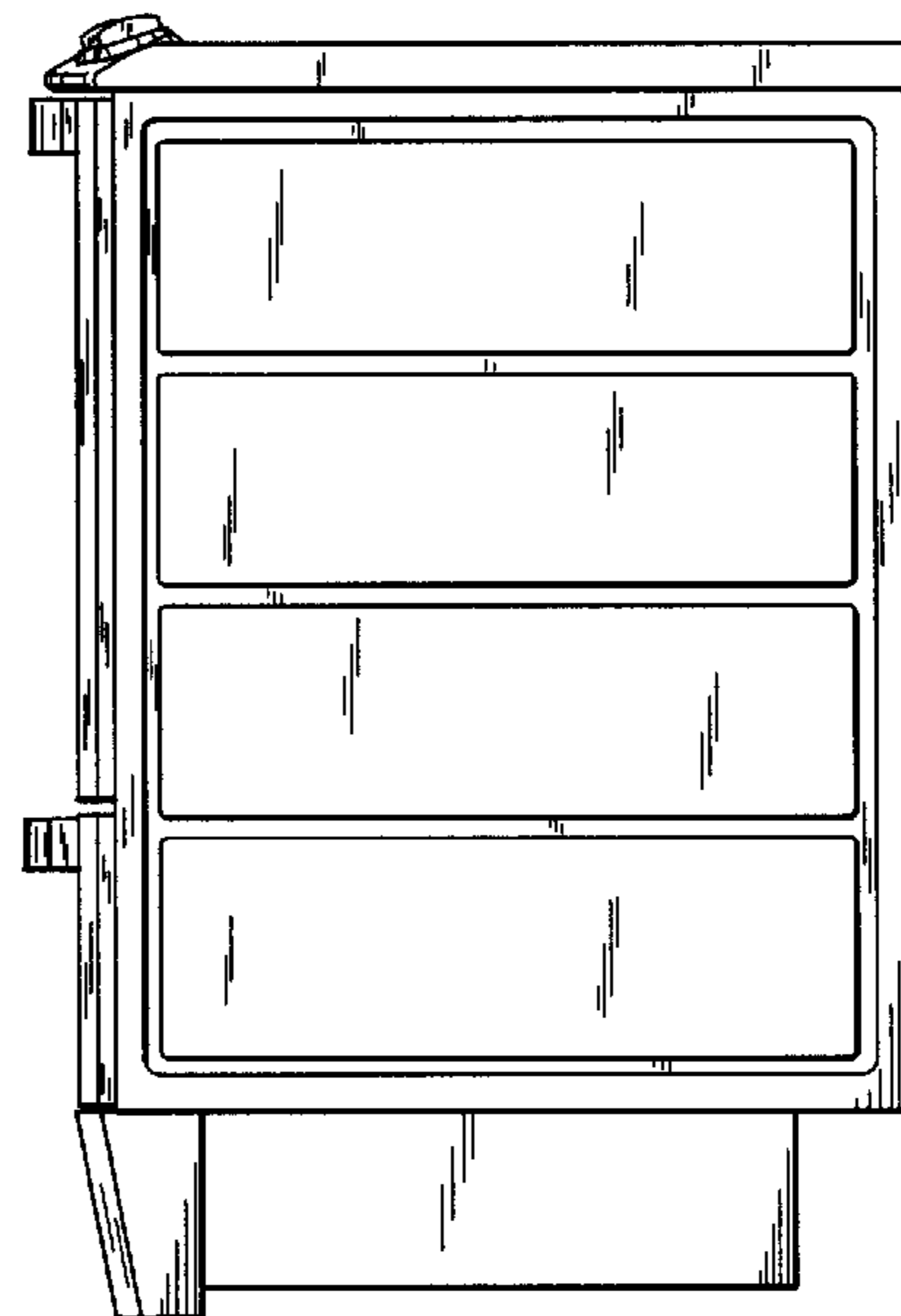


FIG. 3

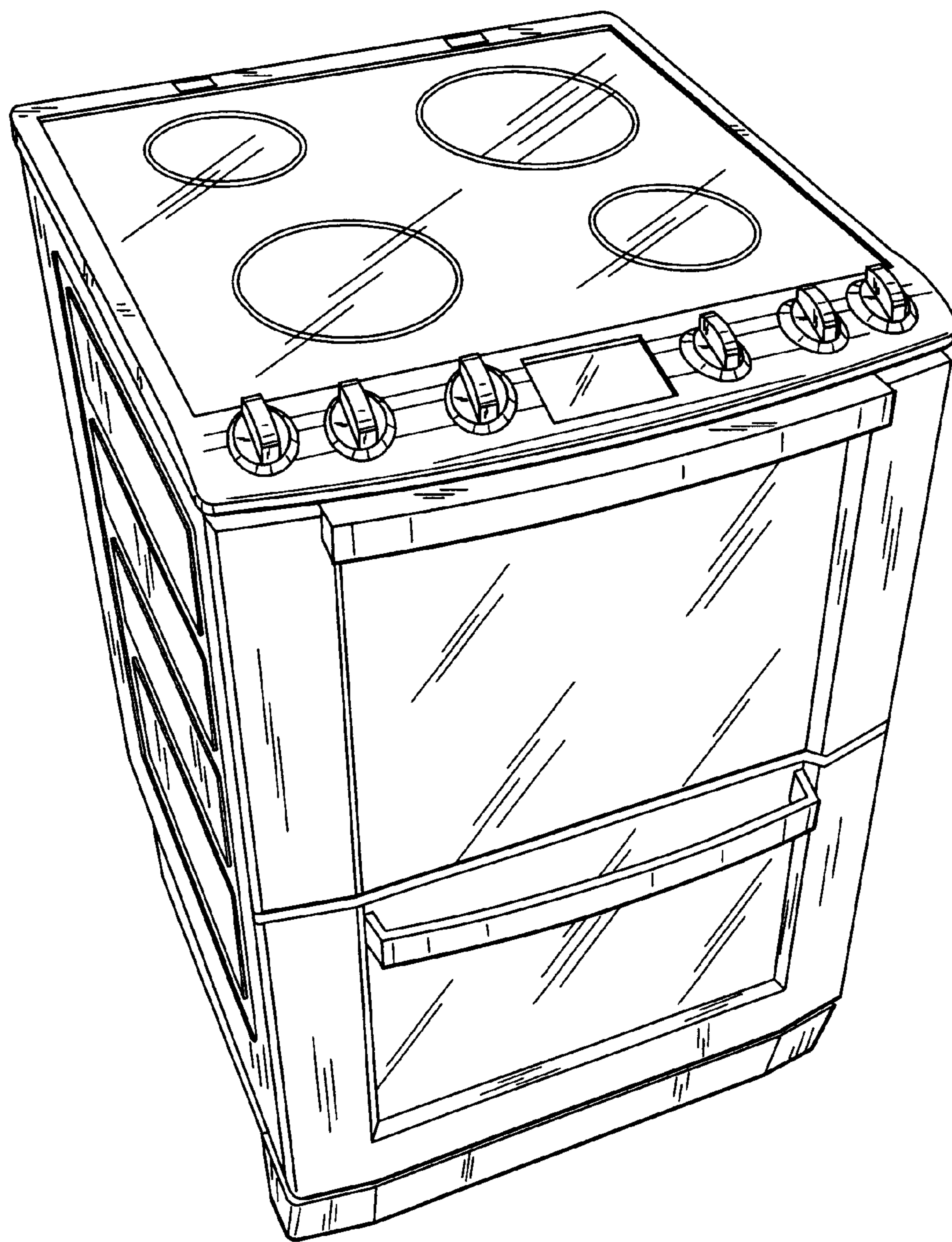


FIG. 5

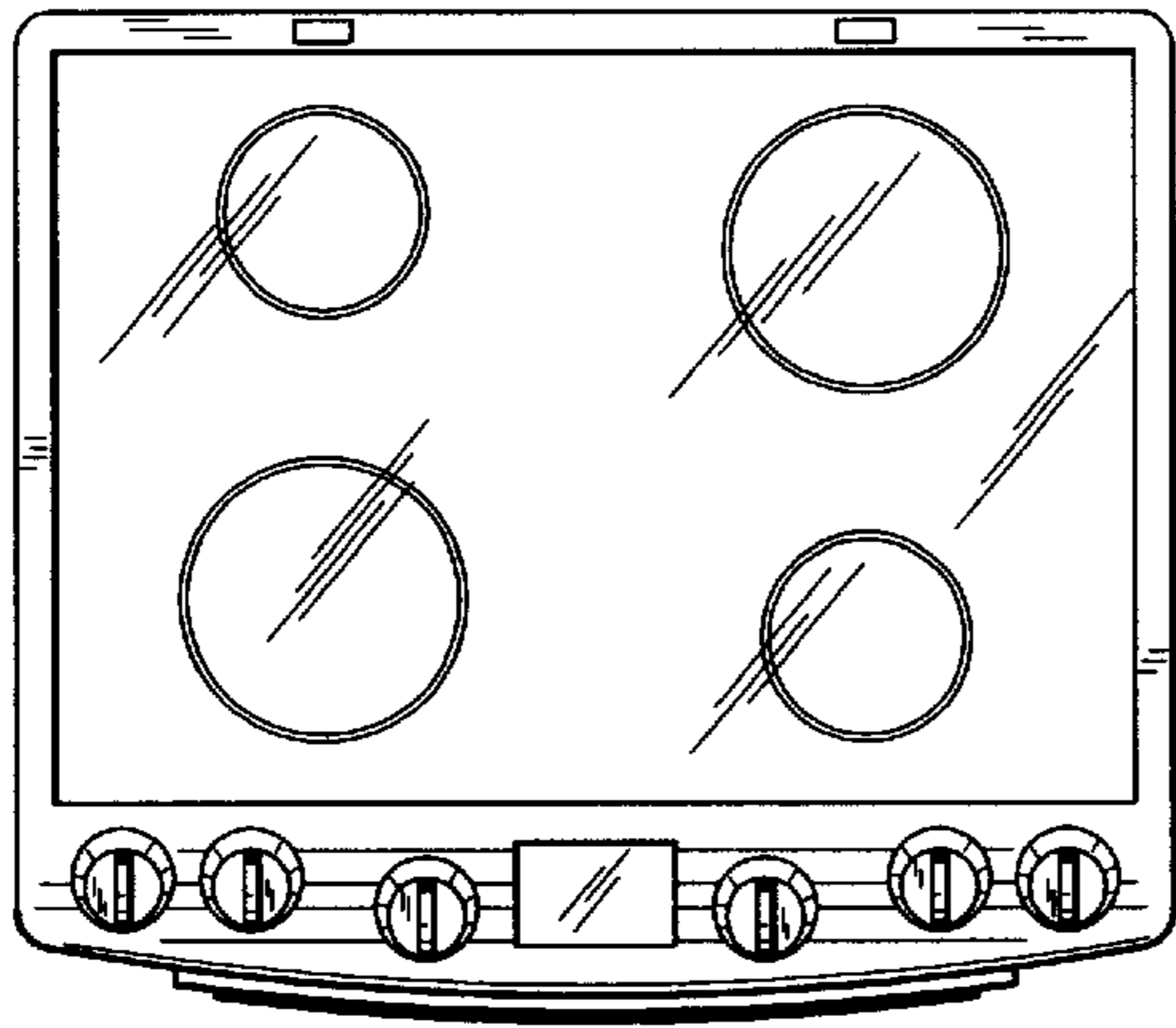


FIG. 8

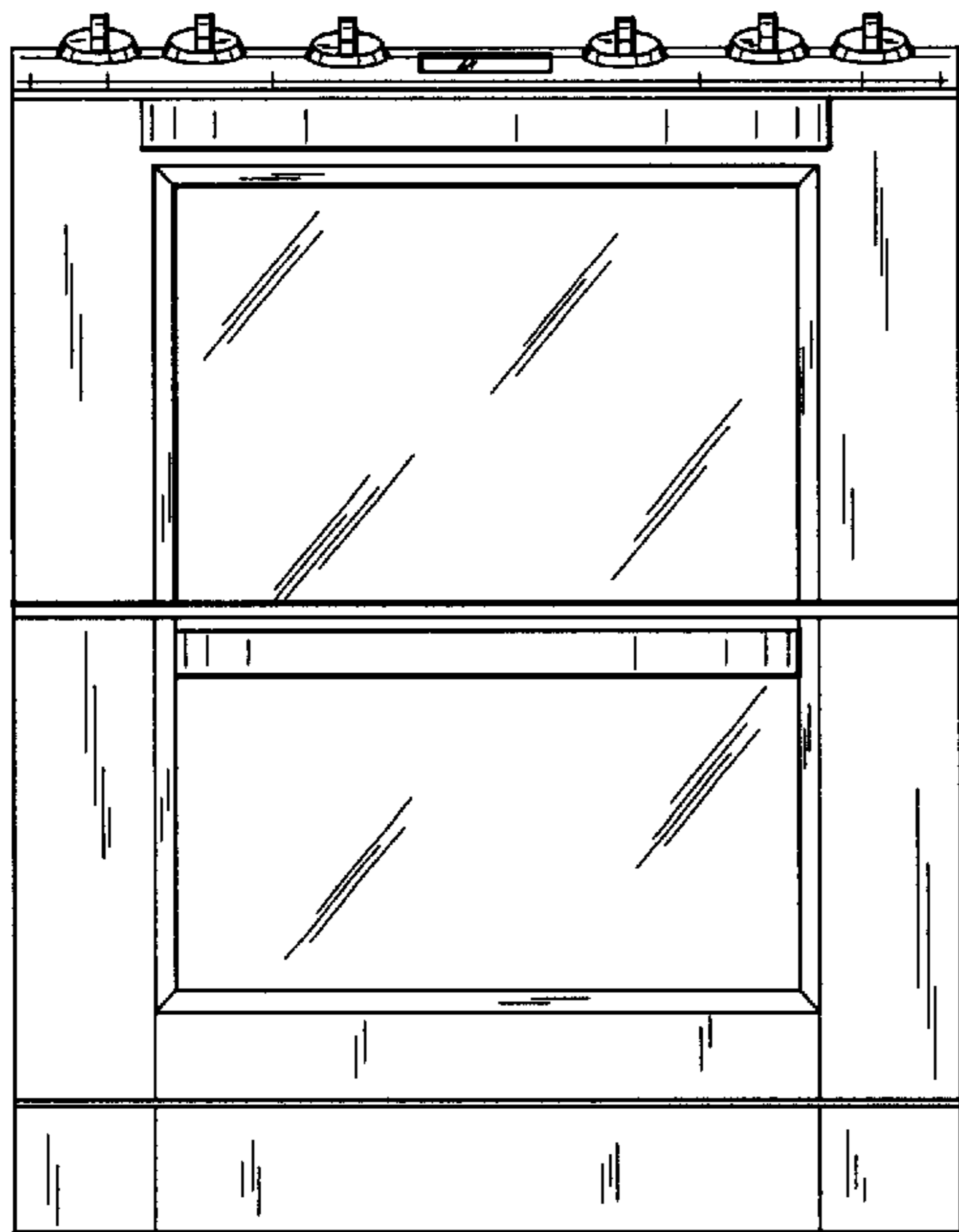


FIG. 6

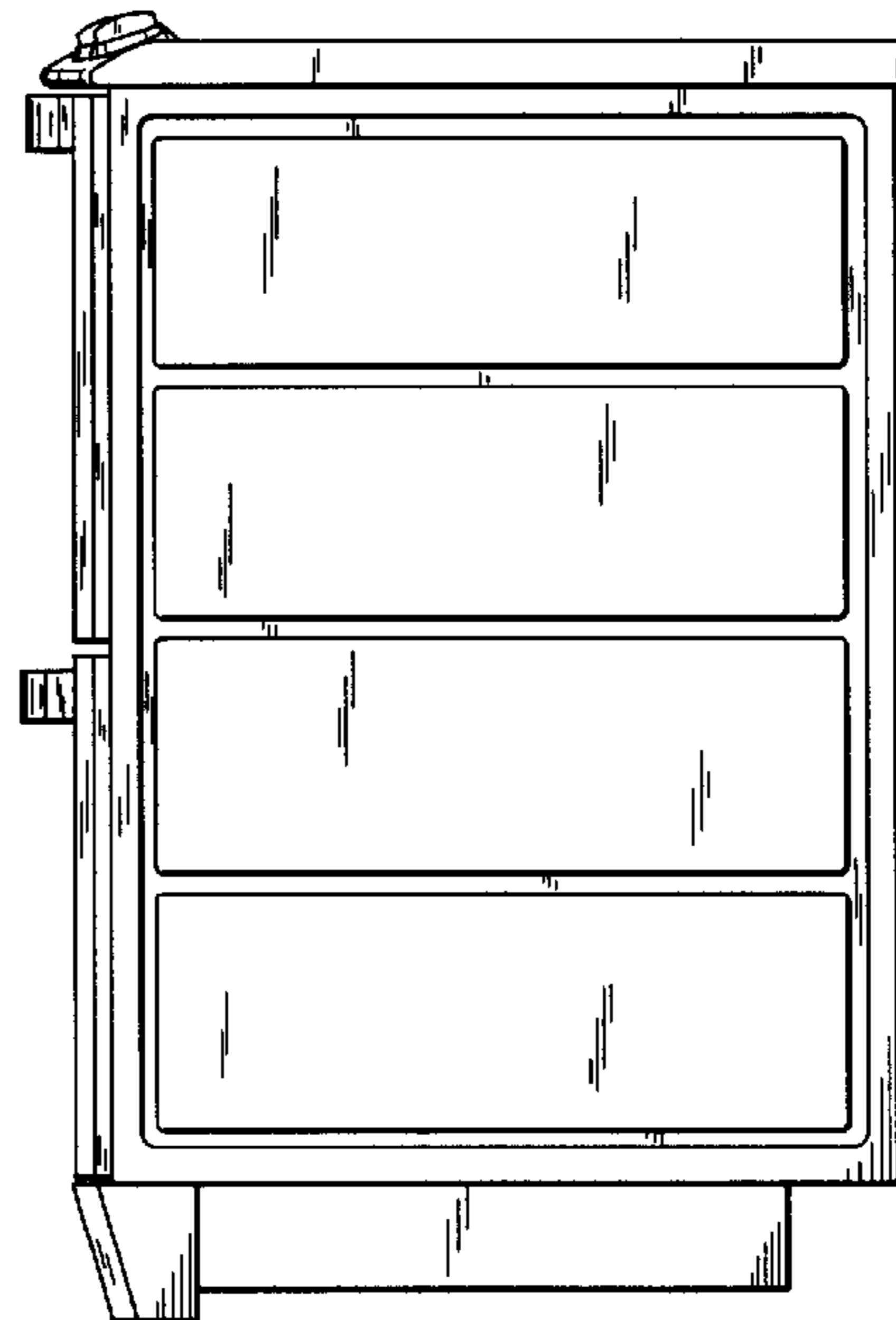


FIG. 7