



US00D536206S

(12) **United States Design Patent** (10) **Patent No.:** **US D536,206 S**
Ritterling (45) **Date of Patent:** **** Feb. 6, 2007**

(54) **OUTDOOR KITCHEN**

(75) Inventor: **Douglas K. Ritterling**, Anderson, SC (US)

(73) Assignee: **Electrolux Home Products, Inc.**, Cleveland, OH (US)

(**) Term: **14 Years**

(21) Appl. No.: **29/226,098**

(22) Filed: **Mar. 24, 2005**

(51) **LOC (8) Cl.** **07-02**

(52) **U.S. Cl.** **D7/332**

(58) **Field of Classification Search** D7/332-338, D7/339-340, 347-348, 402-405; 99/339-340, 99/420, 421 A, 421 H, 421 M, 422, 423, 99/427, 443 C, 441, 443 R, 445, 447-448, 99/482, 450; 126/4, 9 R, 25 R, 25 A, 25 AA, 126/37 R, 37 B, 40, 41 R, 50, 276; D23/286
See application file for complete search history.

(56) **References Cited**

U.S. PATENT DOCUMENTS

2,584,187 A 2/1952 Crist

(Continued)

OTHER PUBLICATIONS

U.S. Appl. Ser. No. 29/226,099, filed on Mar. 24, 2005.

(Continued)

Primary Examiner—Ruth McInroy

(74) *Attorney, Agent, or Firm*—Pearne & Gordon LLP

(57) **CLAIM**

The ornamental design for an outdoor kitchen, as shown and described.

DESCRIPTION

FIG. 1 is an upper right perspective view of my new design for an outdoor kitchen in accordance with the present invention;

FIG. 2 is a front elevational view of the outdoor kitchen of FIG. 1;

FIG. 3 is a rear elevational view of the outdoor kitchen of FIG. 1;

FIG. 4 is a left side elevational view of the outdoor kitchen of FIG. 1;

FIG. 5 is a right side elevational view of the outdoor kitchen of FIG. 1;

FIG. 6 is a top view of the outdoor kitchen of FIG. 1;

FIG. 7 is a bottom view of the outdoor kitchen of FIG. 1;

FIG. 8 is an upper right perspective view of a second embodiment thereof, which is identical to FIG. 1 except for the unclaimed details shown in broken lines without shading, wherein the front, rear, left side, right side, top and bottom views are identical to FIGS. 2-7 except for the unclaimed details;

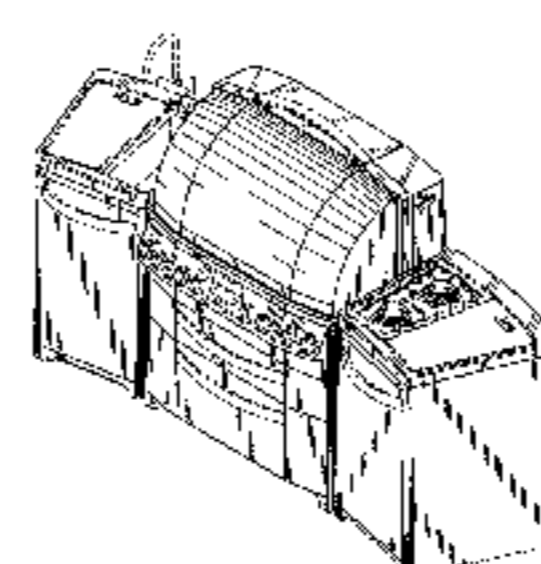
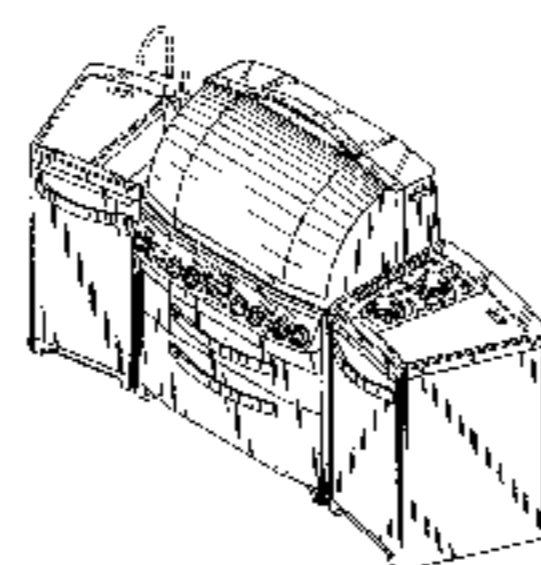
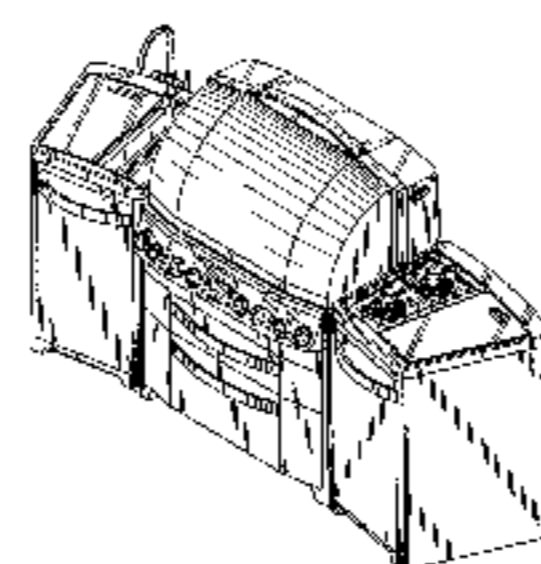
FIG. 9 is an upper right perspective view of a third embodiment thereof, which is identical to FIG. 1 except for the unclaimed details shown in broken lines without shading, wherein the front, rear, left side, right side, top and bottom views are identical to FIGS. 2-7 except for the unclaimed details;

FIG. 10 is an upper right perspective view of a fourth embodiment thereof, which is identical to FIG. 1 except for the unclaimed details shown in broken lines without shading, wherein the front, rear, left side, right side, top and bottom views are identical to FIGS. 2-7 except for the unclaimed details; and,

FIG. 11 is an upper right perspective view of a fifth embodiment thereof, which is identical to FIG. 1 except for the unclaimed details shown in broken lines without shading, wherein the front, rear, left side, right side, top and bottom views are identical to FIGS. 2-7 except for the unclaimed details.

The broken lines shown in FIGS. 7-11 are for illustrative purposes only and form no part of the claimed design. The unshaded areas shown in FIGS. 7-11 likewise form no part of the claimed design.

1 Claim, 10 Drawing Sheets



U.S. PATENT DOCUMENTS

2,693,750 A 11/1954 Badenoch
 2,815,707 A 12/1957 Morrow
 3,019,720 A 2/1962 Topper
 3,263,593 A 8/1966 Appleman
 3,289,664 A 12/1966 Hewitt
 3,343,527 A 9/1967 Manteris
 3,442,201 A 5/1969 Kates
 3,665,913 A 5/1972 Cagle, Jr.
 3,789,822 A 2/1974 Schantz
 3,866,994 A 2/1975 Bonin
 4,082,391 A 4/1978 Turner
 4,106,473 A 8/1978 Wandel
 4,108,055 A 8/1978 Simmons
 D254,468 S 3/1980 Cox
 4,321,857 A 3/1982 Best
 4,895,068 A 1/1990 Hanagan et al.
 4,996,969 A 3/1991 Dodgen
 5,031,602 A 7/1991 Vick
 5,097,817 A 3/1992 Dodgen
 5,213,027 A 5/1993 Tsotsos et al.
 5,410,950 A 5/1995 Rone
 5,419,249 A 5/1995 Papandrea
 D409,435 S * 5/1999 Husted D7/332
 6,038,965 A 3/2000 Thorndyke
 6,131,505 A 10/2000 Lin
 D437,176 S * 2/2001 Bullard D7/334
 6,248,982 B1 6/2001 Reid et al.
 6,308,616 B1 10/2001 Johnson
 D462,227 S * 9/2002 Alden et al. D7/334
 6,508,165 B1 1/2003 Johnson
 D471,057 S * 3/2003 Chung D7/334
 D471,755 S * 3/2003 Wilgus et al. D7/334

D472,756 S * 4/2003 Pai D7/334
 D475,552 S 6/2003 Thompson
 D476,188 S * 6/2003 Wood D7/334
 6,598,514 B1 7/2003 Leggi
 6,626,089 B1 9/2003 Hubert
 D485,467 S * 1/2004 Pai D7/334
 D489,222 S * 5/2004 Pai D7/334
 D503,065 S * 3/2005 Pai D7/334
 2004/0065313 A1 4/2004 Thompson

OTHER PUBLICATIONS

U.S. Appl. Ser. No. 29/226,155, filed on Mar. 24, 2005.
 U.S. Appl. Ser. No. 29/226,102, filed on Mar. 24, 2005.
 “TEC Sterling g-2000 gas grill islands” , www.outdoorditchensdepot.com/tec-sterling-g2000-grill-islands.asp, copyright 2001, 5 pages.
 “TEC Sterling G3000 Grill Islands” , www.outdoorkitchensdepot.com/tec-sterling-g3000-grill-islands.asp, copyright 2001, 5 pages.
 “TEC Sterling G4000 Grill Islands” , www.outdoorkitchensdepot.com/tec-sterling-g4000-grill-islands.asp, copyright 2001, 5 pages.
 “TEC Sterling II Grill Islands” , www.outdoorkitchensdepot.com/tec-sterling-II-grill-islands.asp, copyright 2001, 4 pages.
 “TEC Sterling III Grill Islands” , www.outdoorkitchensdepot.com/tec-sterling-III-grill-islands.asp, copyright 2001, 4 pages.

* cited by examiner

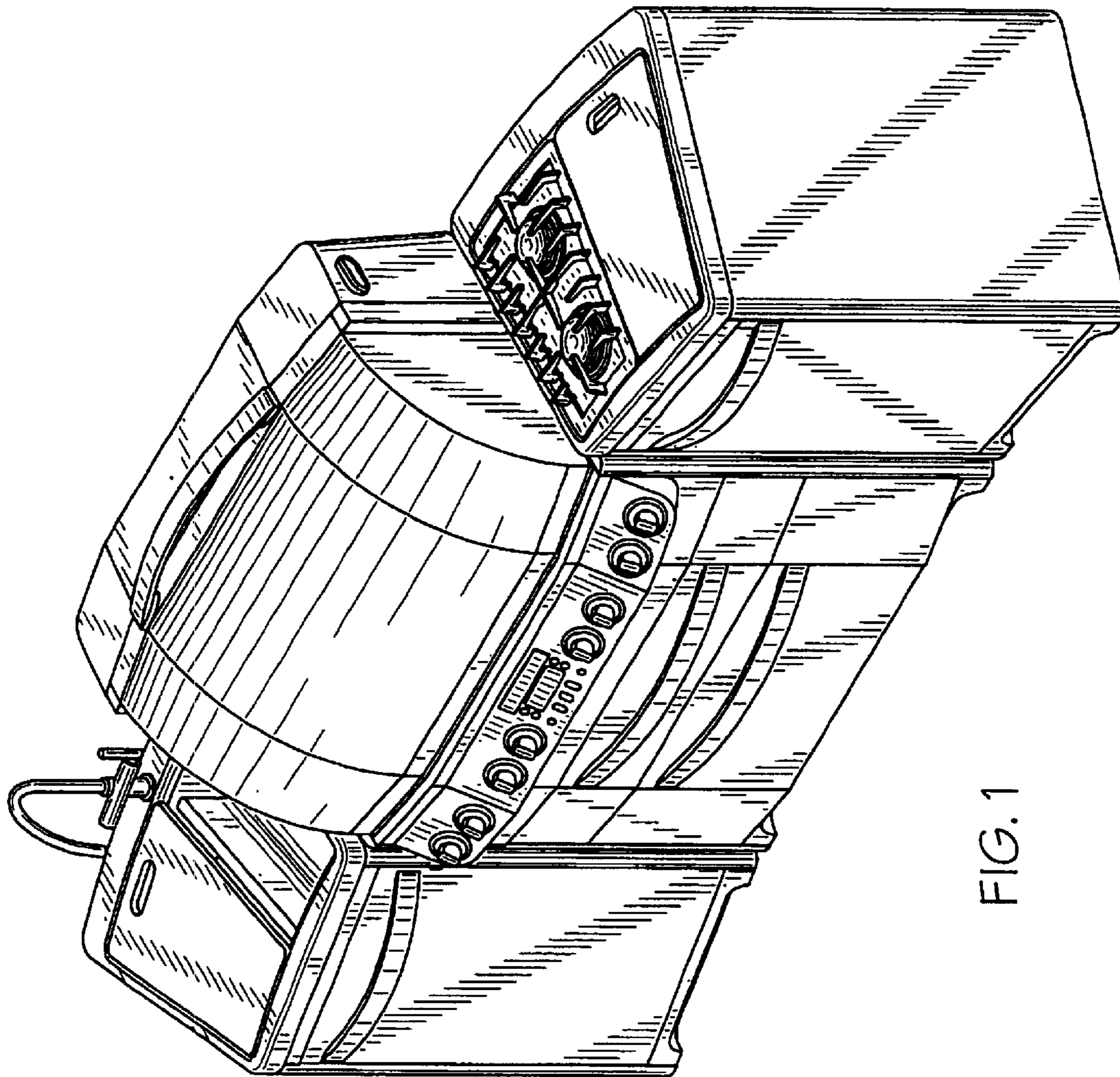


FIG. 1

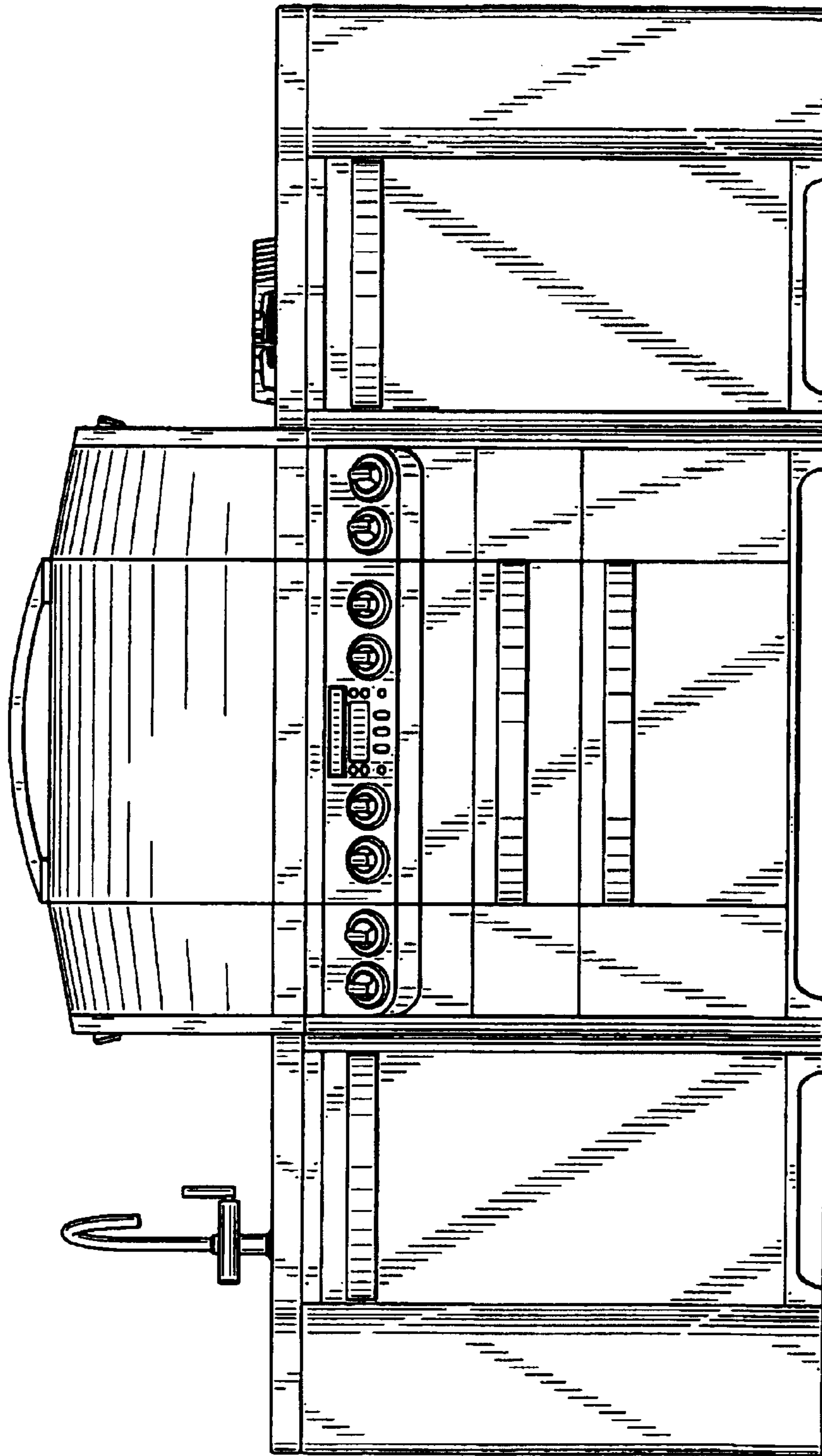


FIG. 2

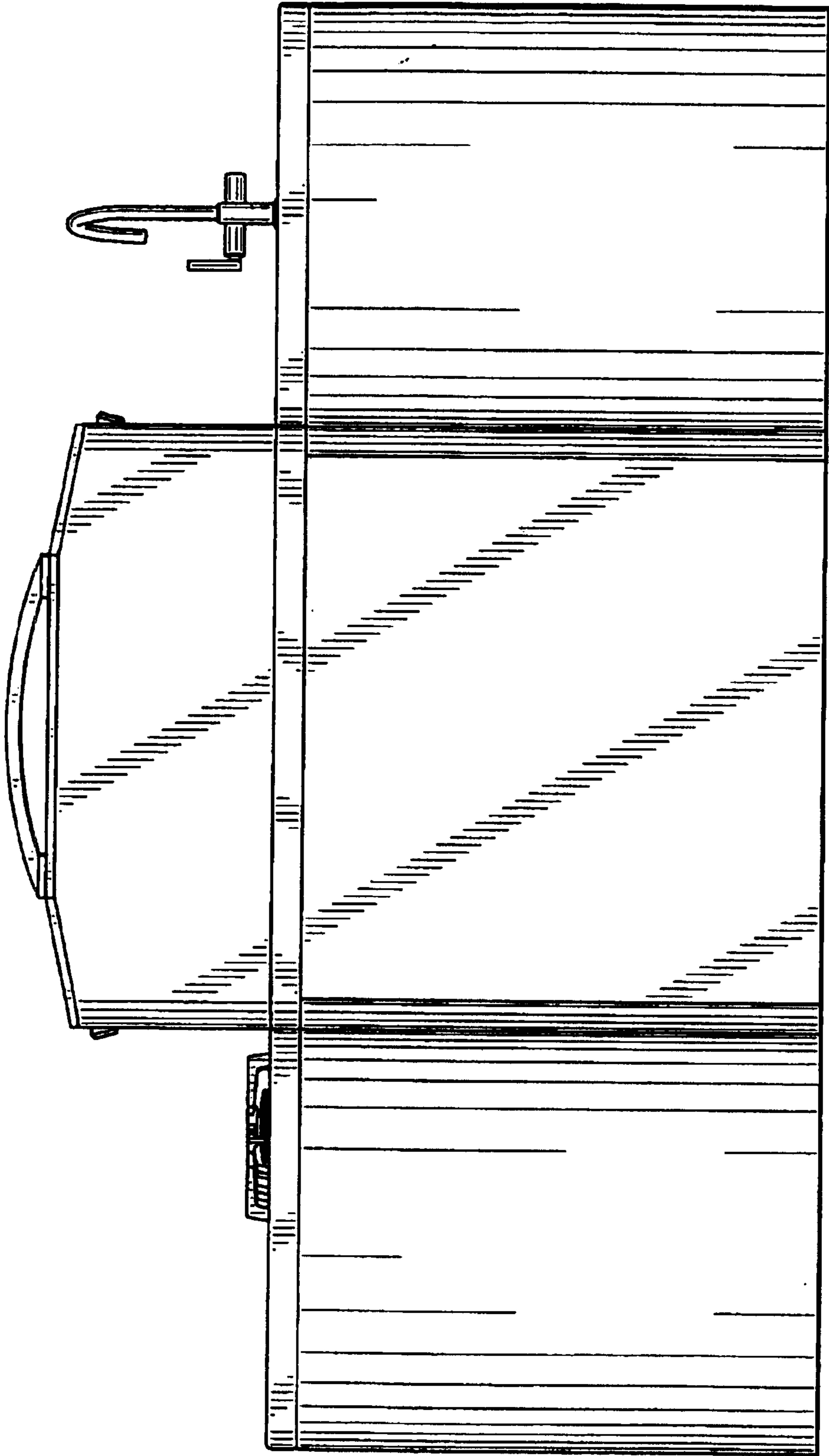


FIG. 3

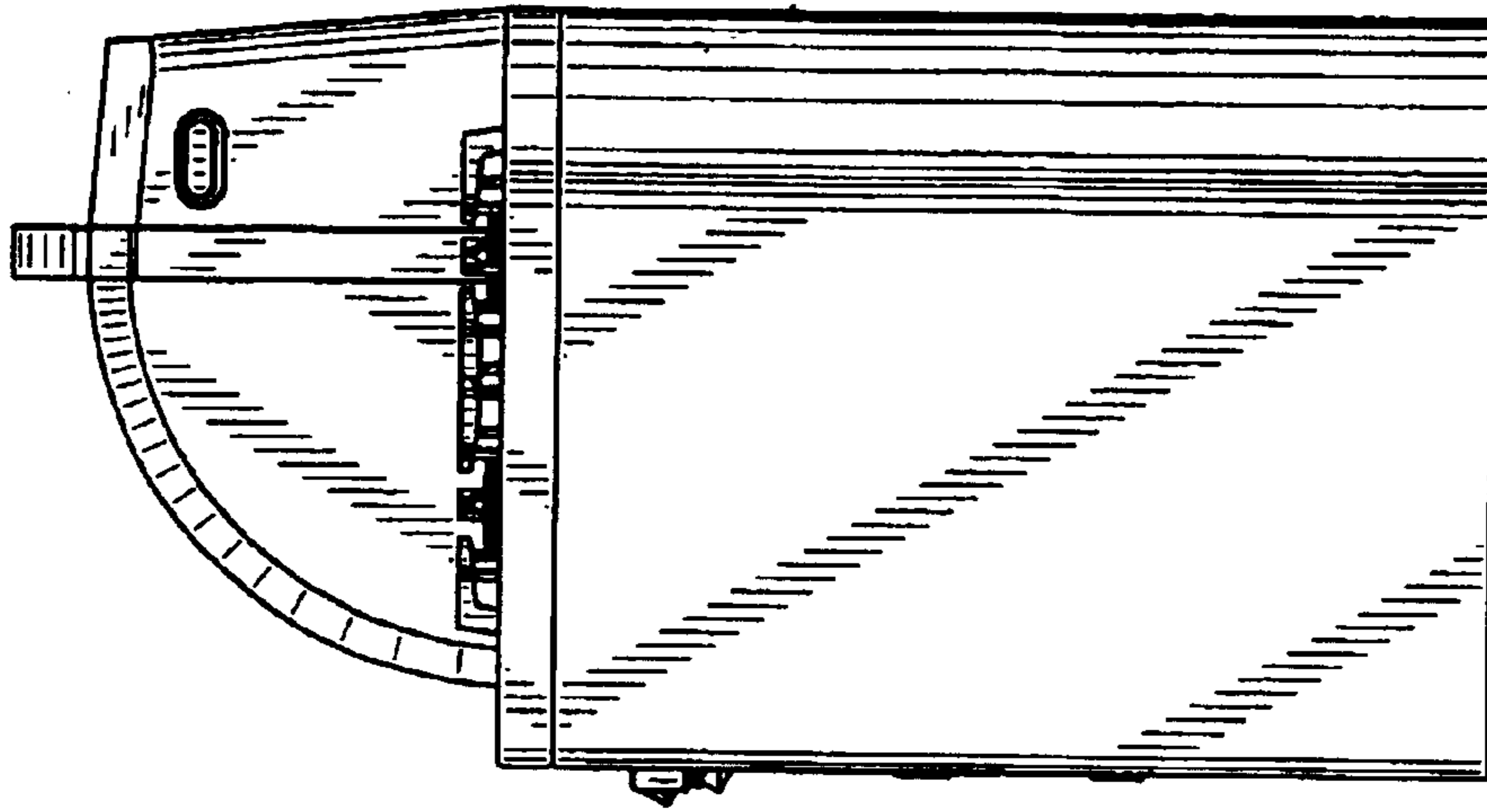


FIG. 5

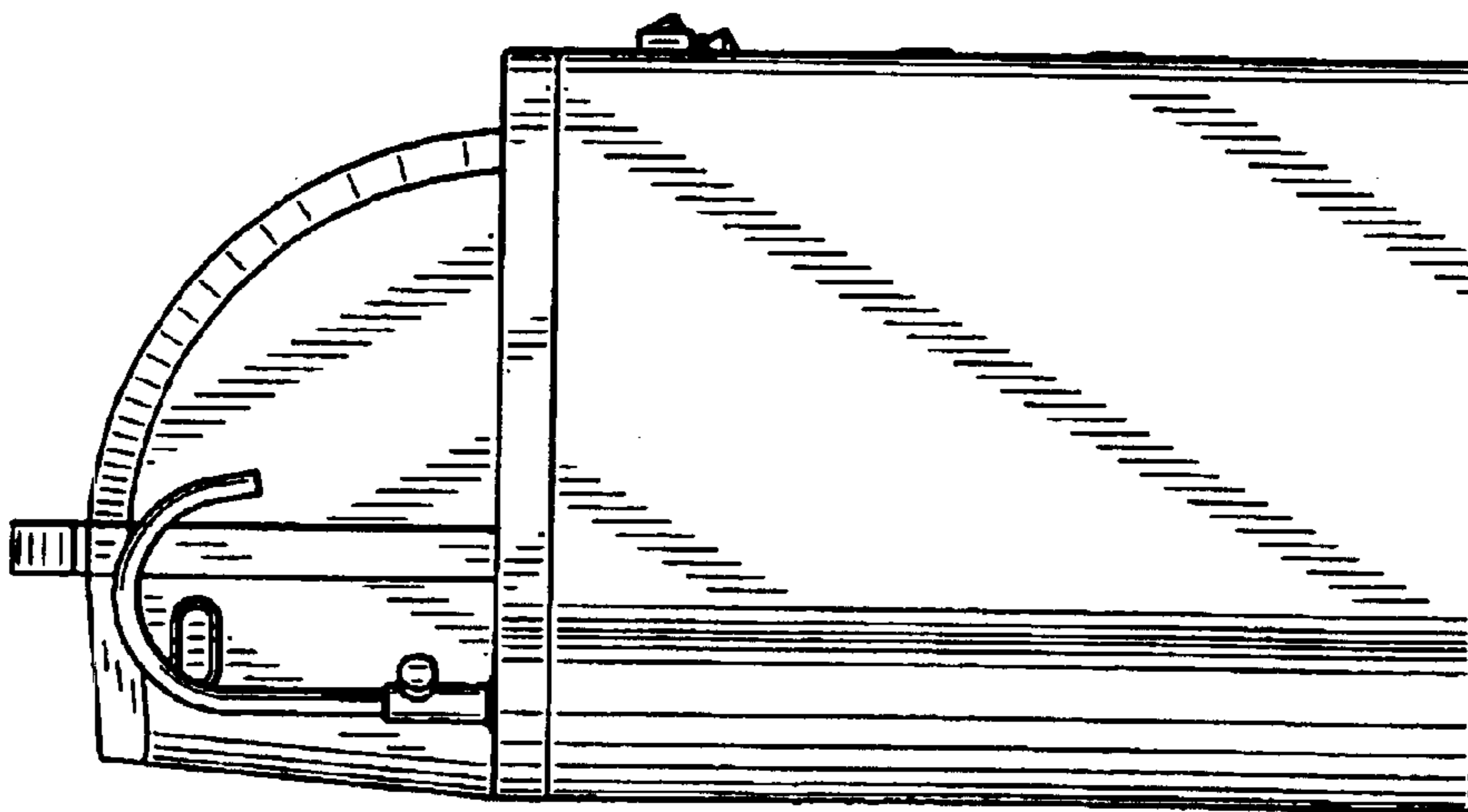


FIG. 4

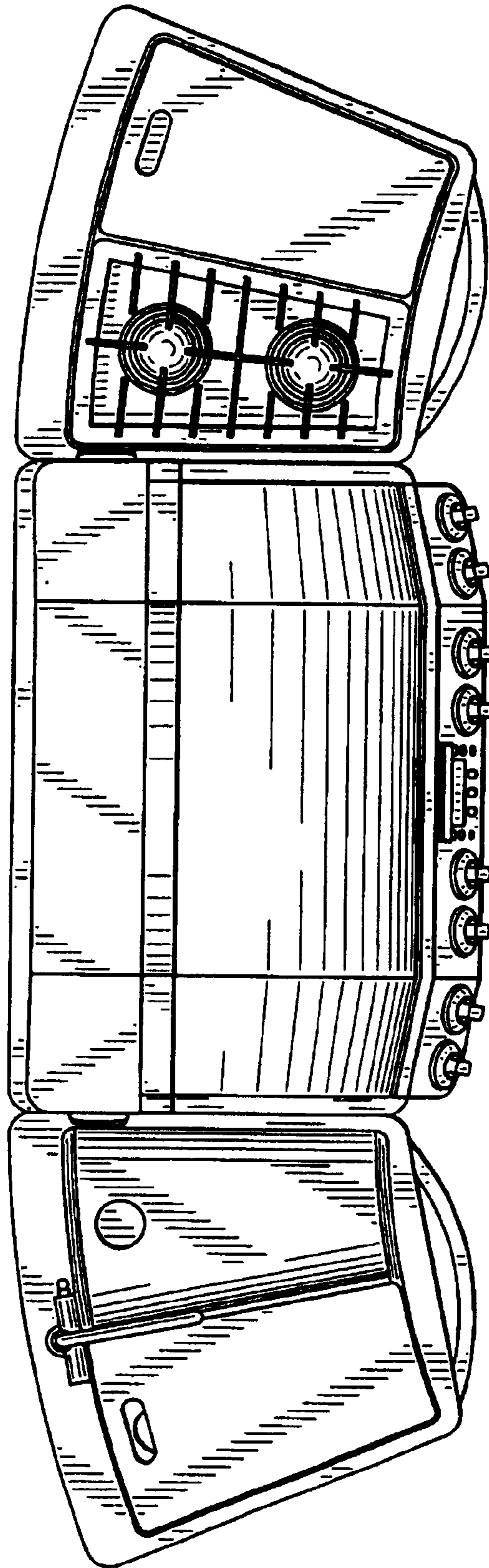


FIG. 6

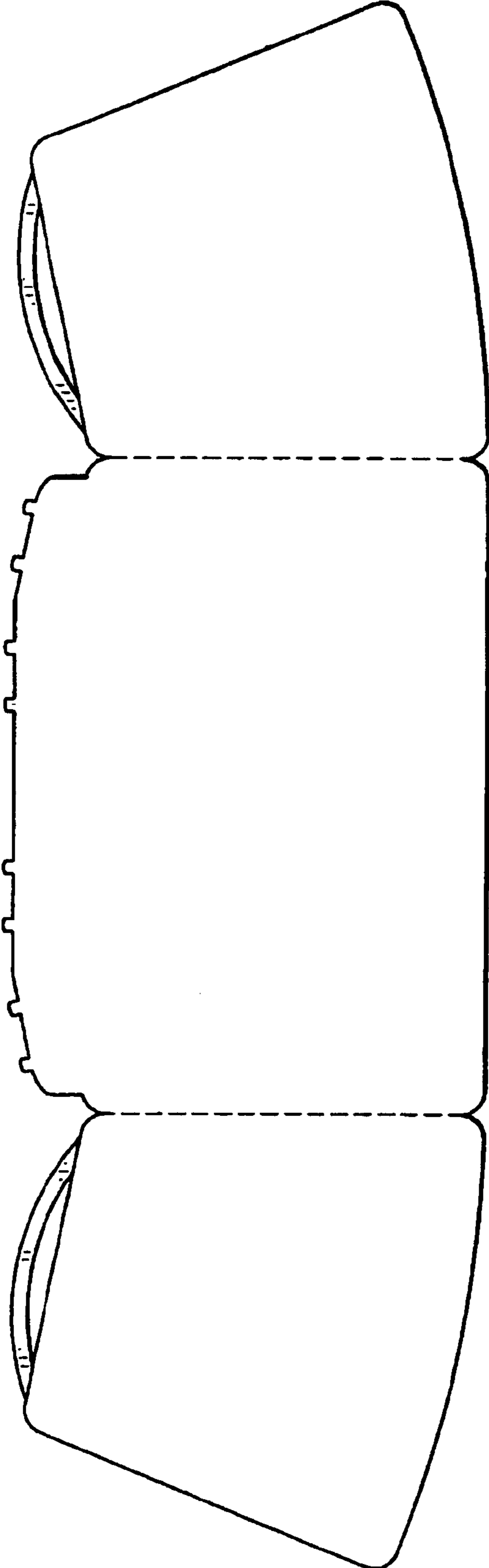


FIG. 7

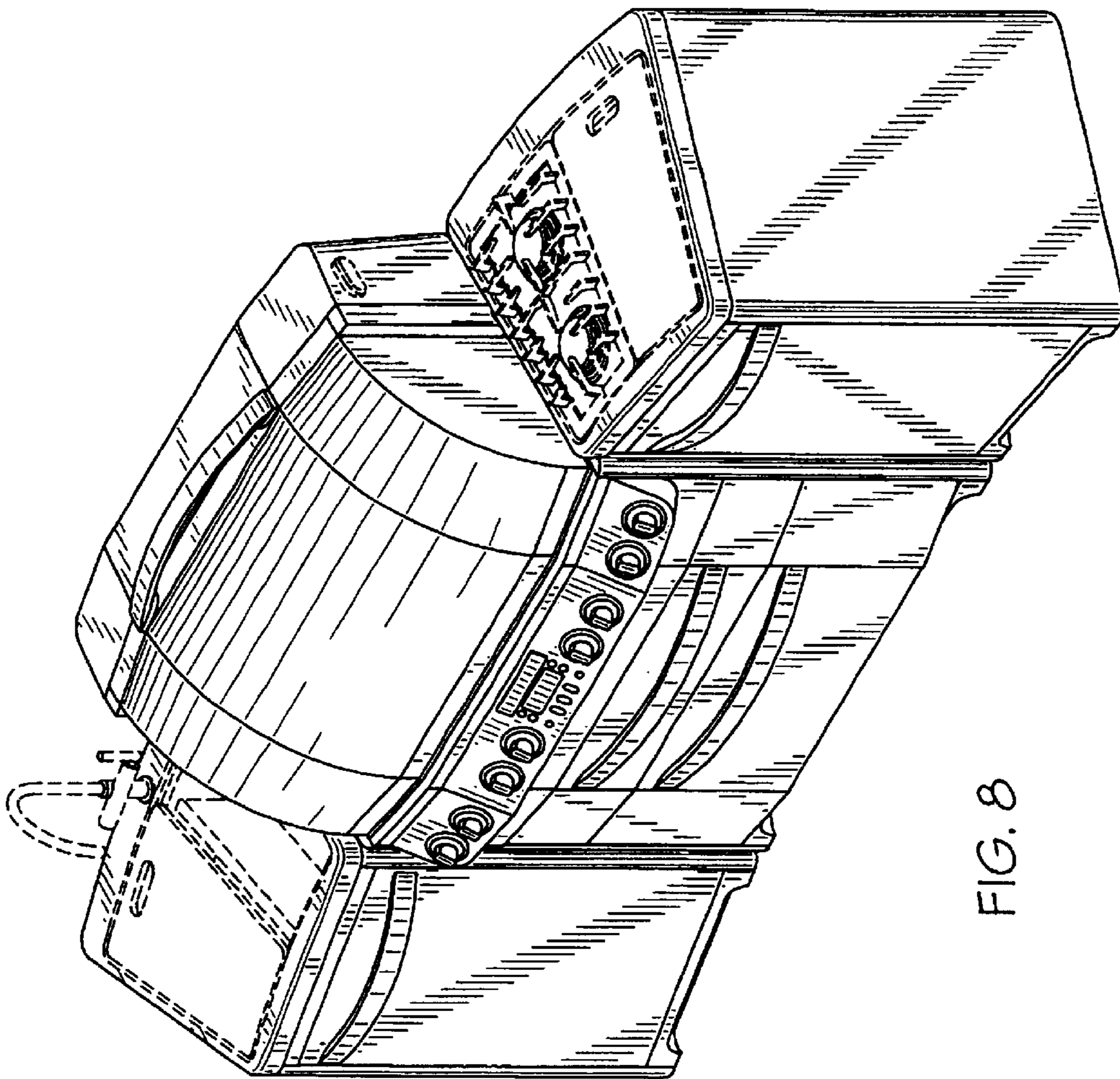


FIG. 8

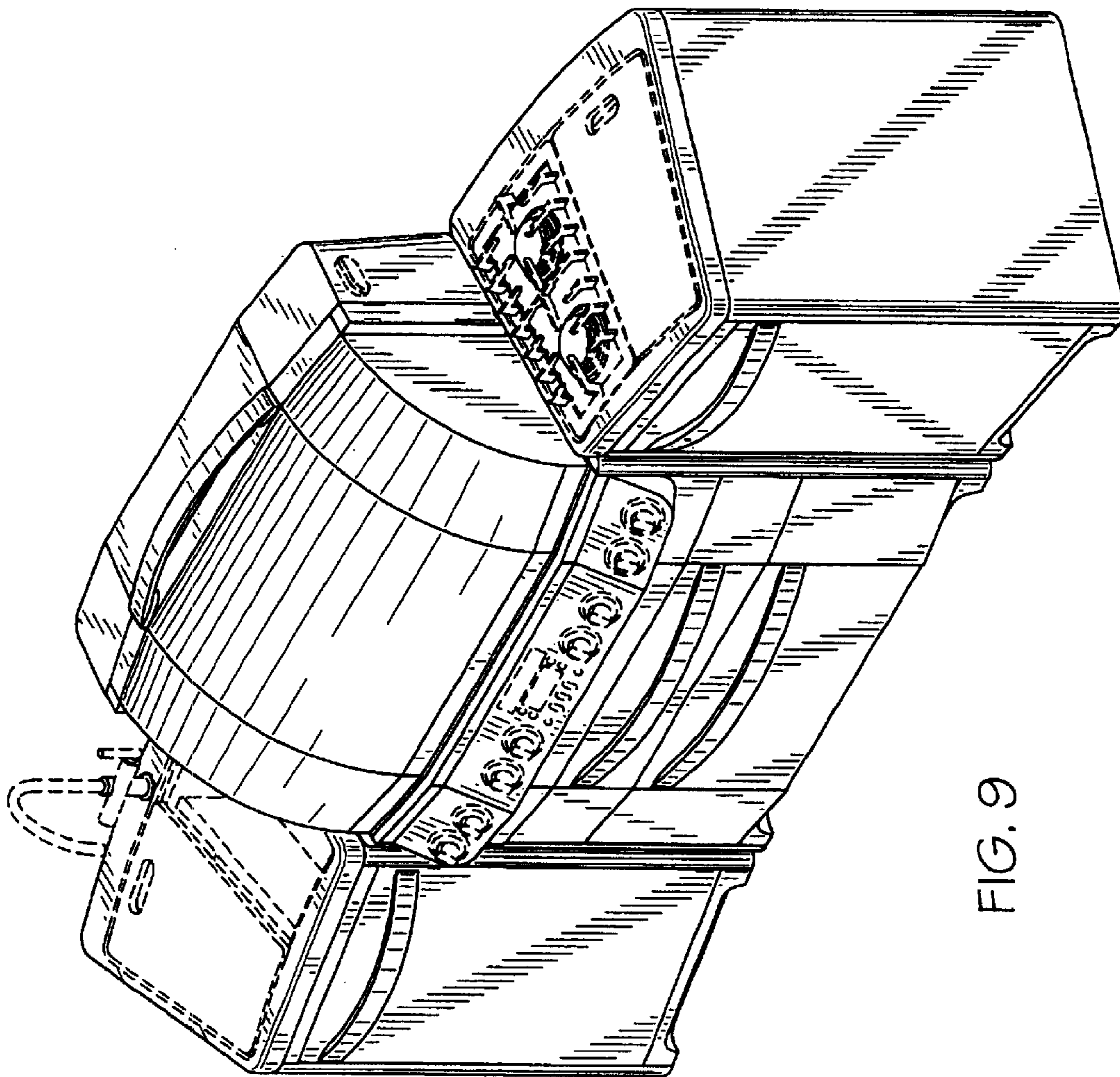


FIG. 9

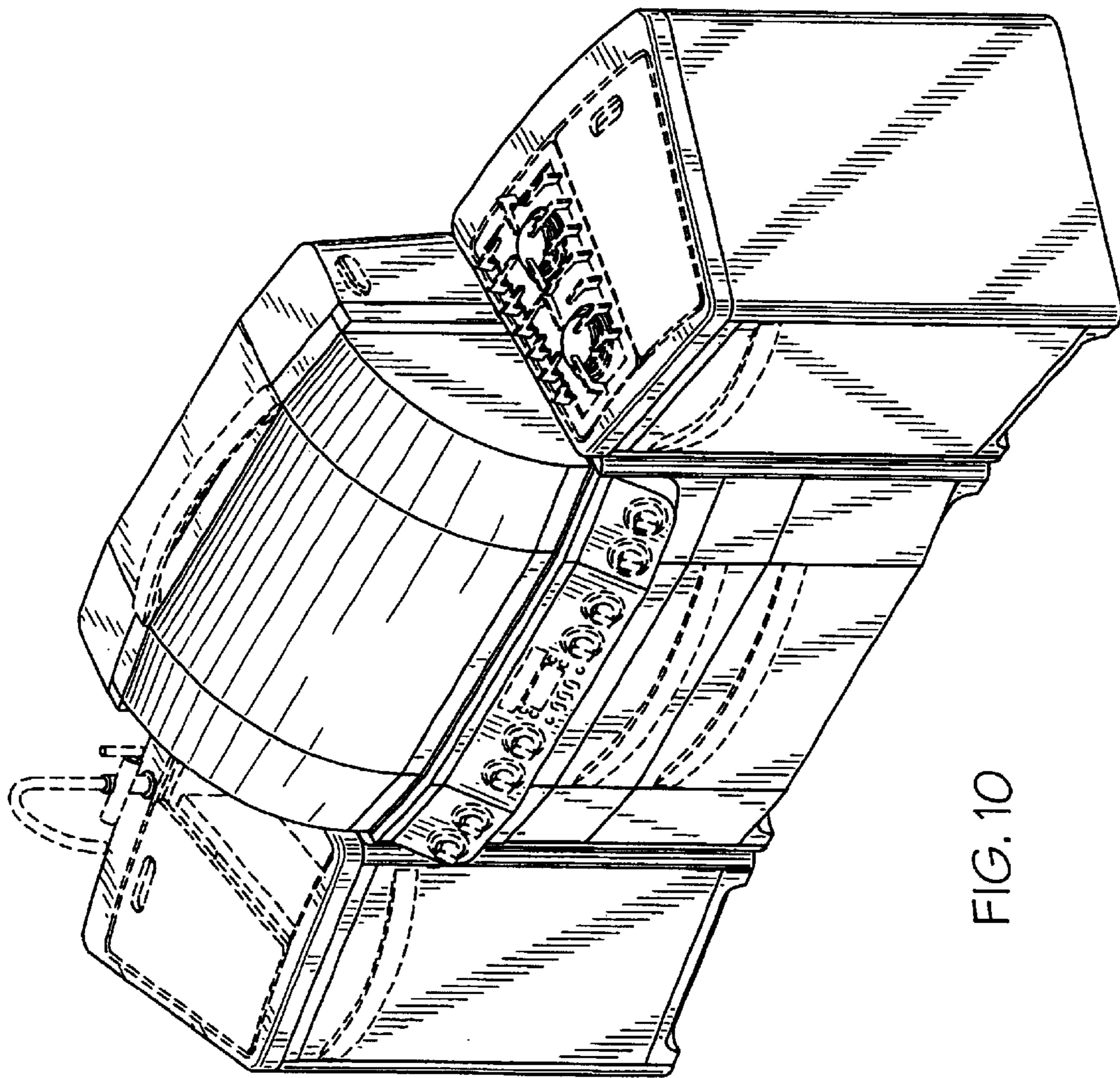


FIG. 10

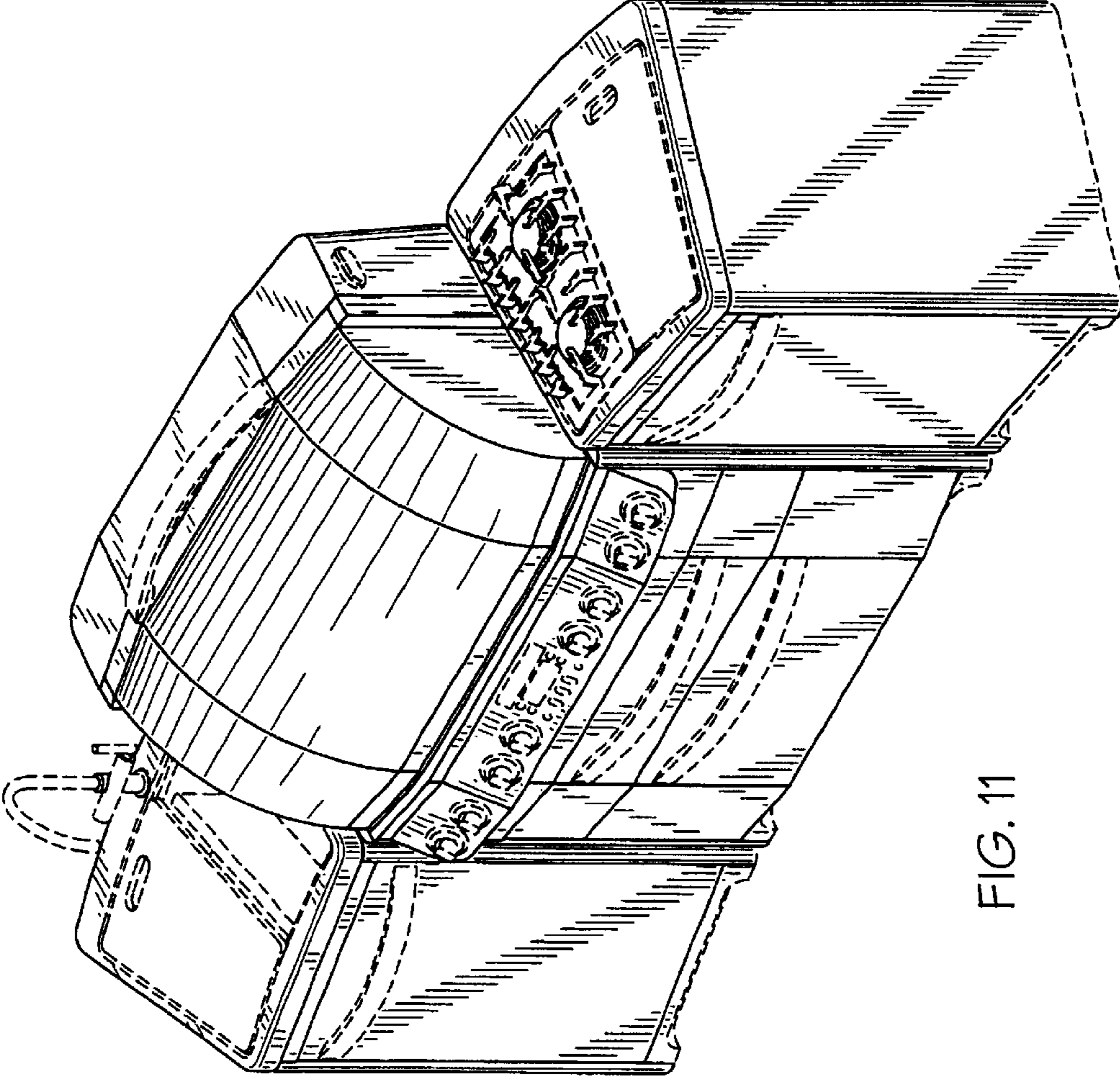


FIG. 11