



US00D536203S

(12) **United States Design Patent**
Berberet

(10) **Patent No.:** **US D536,203 S**
(45) **Date of Patent:** **** Feb. 6, 2007**

- (54) **WALL MOUNTABLE SUPPORT**
- (75) Inventor: **Suzanne M. Berberet**, Sheboygan, WI (US)
- (73) Assignee: **Kohler Co.**, Kohler, WI (US)
- (**) Term: **14 Years**

- D464,812 S 10/2002 Yen
- D464,833 S 10/2002 Ouyoung
- D465,096 S 11/2002 Ouyoung
- D477,737 S 7/2003 Hoernig
- D477,954 S 8/2003 Gilbert
- D478,440 S 8/2003 Hoernig
- D483,585 S 12/2003 Chen
- D492,865 S 7/2004 Graves et al.

(Continued)

(21) Appl. No.: **29/213,634**

(22) Filed: **Sep. 21, 2004**

(51) **LOC (8) Cl.** **06-04**

(52) **U.S. Cl.** **D6/550**

(58) **Field of Classification Search** D6/546-550,
D6/518-523; D8/300, 303, 315-321, 349,
D8/354, 363, 373, 380; 108/28-29; 248/175,
248/176.1, 251, 302, 309.1; 16/110.1, 412,
16/415; 242/570, 590, 595-598; 211/13.1,
211/16, 60.1, 100, 86.01, 87.01, 88.01, 88.04,
211/105.1-105.2, 123, 182, 181.1

See application file for complete search history.

(56) **References Cited**

U.S. PATENT DOCUMENTS

- D157,015 S 1/1950 Wheeler
- D256,862 S 9/1980 Ryan et al.
- D256,864 S 9/1980 Nippel et al.
- D263,779 S 4/1982 Valli
- D327,593 S 7/1992 Emery
- D327,598 S 7/1992 Emery
- D362,615 S 9/1995 Shames et al.
- D392,138 S 3/1998 Wu
- D407,931 S * 4/1999 Sweetman D6/524
- D439,088 S 3/2001 Chen
- D439,089 S 3/2001 Goodman et al.
- D453,271 S 2/2002 Gilbert et al.
- D453,649 S 2/2002 Hoernig
- D454,020 S 3/2002 Meck et al.
- D455,035 S 4/2002 Meck et al.
- D459,128 S 6/2002 Meck et al.
- D463,934 S 10/2002 Gilbert et al.
- D463,936 S * 10/2002 Chen D6/550
- D463,938 S * 10/2002 Lee Wang D6/550

OTHER PUBLICATIONS

Website MyKnobs.com, Italbras, dated Jul. 20, 2004.
Website MyKnobs.com, Fusion, South Beach Collection,
dated Jul. 20, 2004.

(Continued)

Primary Examiner—Brian N. Vinson
(74) *Attorney, Agent, or Firm*—Quarles & Brady LLP

(57) **CLAIM**

The ornamental design for a wall mountable support, as shown and described.

DESCRIPTION

In a preferred embodiment, the nature of this product is a wall mountable support, such as a robe hook, a towel ring, a toilet paper holder, a single rung towel bar, a double rung towel bar, or an escutcheon for use in supporting wall mountable items.

FIG. 1 is a right, top, front perspective view of a wall mountable support according to my new design;

FIG. 2 is a front elevational view thereof;

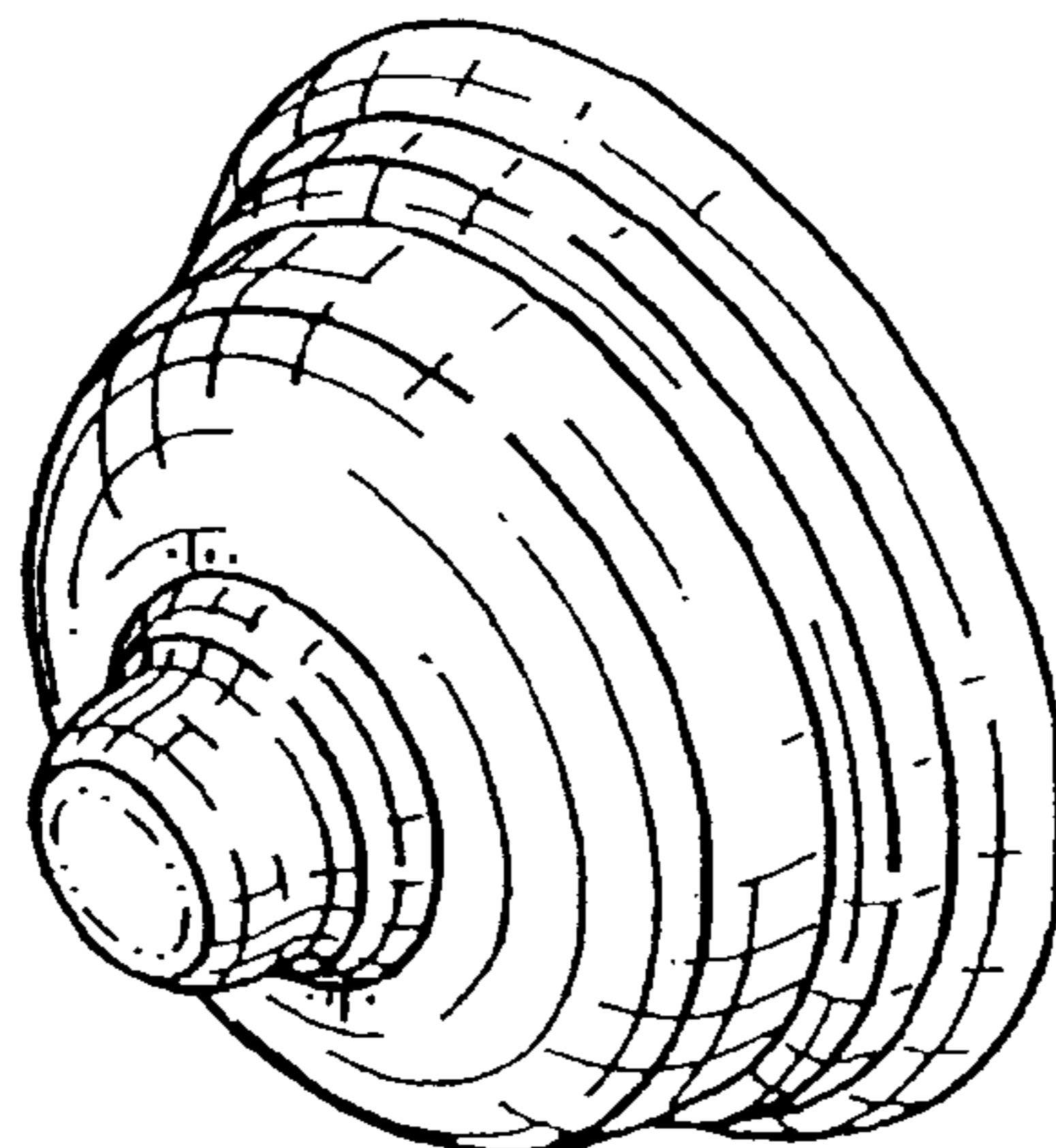
FIG. 3 is a right side elevational view thereof, the left side elevational view being a mirror image the right side shown;

FIG. 4 is a top plan view thereof; the bottom plan view thereof being identical to the top view shown; and,

FIG. 5 is a rear elevational view thereof.

The broken line representations of mounting structure in FIGS. 1, 2, and are for the purpose of illustration only, and form no part of the claimed design.

1 Claim, 1 Drawing Sheet



U.S. PATENT DOCUMENTS

D492,866 S 7/2004 Graves et al.
D494,052 S * 8/2004 Winter et al. D6/550
D501,746 S * 2/2005 Gilbert D6/550
D504,043 S * 4/2005 Kennard D6/550
D518,986 S * 4/2006 Gilbert D6/550

OTHER PUBLICATIONS

Unnamed catalog page showing two different hooks "E" and "F", undated.

Unnamed catalog page showing wall mountable support system, undated.

Website page, Rejuvenati, "Linfield Brass Collection", towel ring, dated Jul. 20, 2004.

Catalog page, Bathroom Jewelry, Inc., "Reminiscence", undated.

Catalog page, Eljer, "Celestine", p. 7.33, Accessories, undated.

Website for Rejuvenation.com, "Linfield" single 5/8" towel bar 9122, dated Jul. 20, 2004.

Catalog page, Kohler, "Fairfax" accessories, undated.

Website for Rejuvenation.com, "Linfield" toilet paper holder 8968, dated Jul. 20, 2004.

* cited by examiner

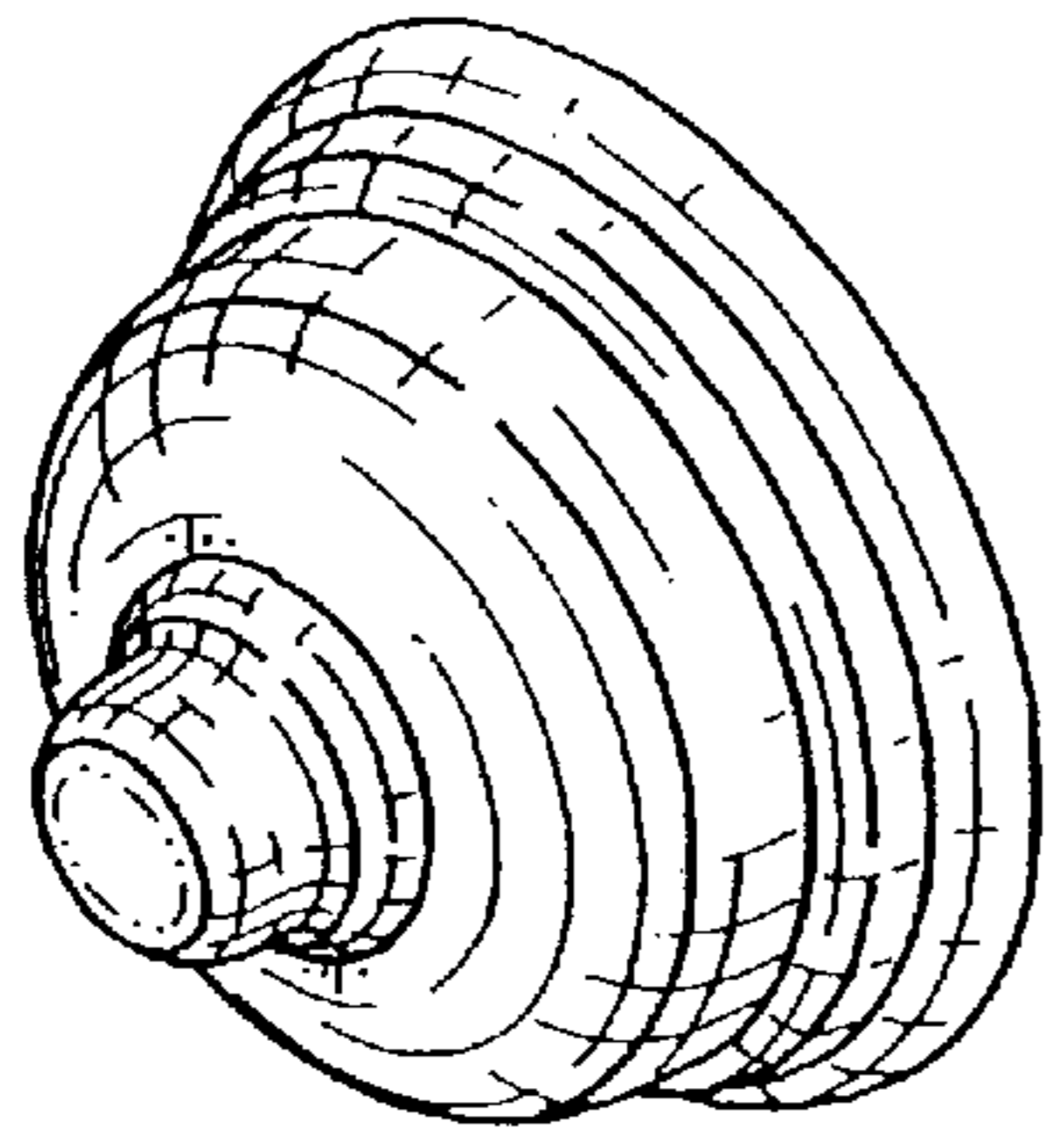


FIG. 1

FIG. 2

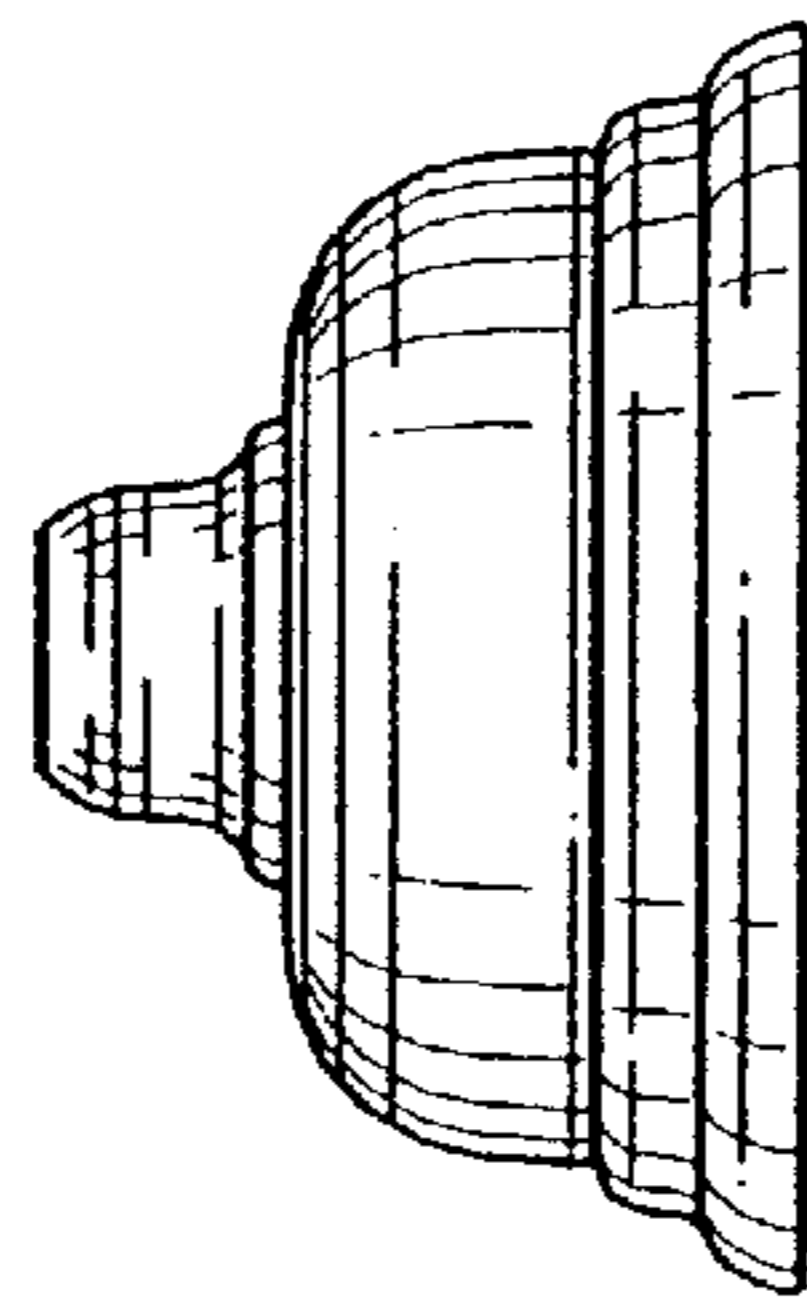
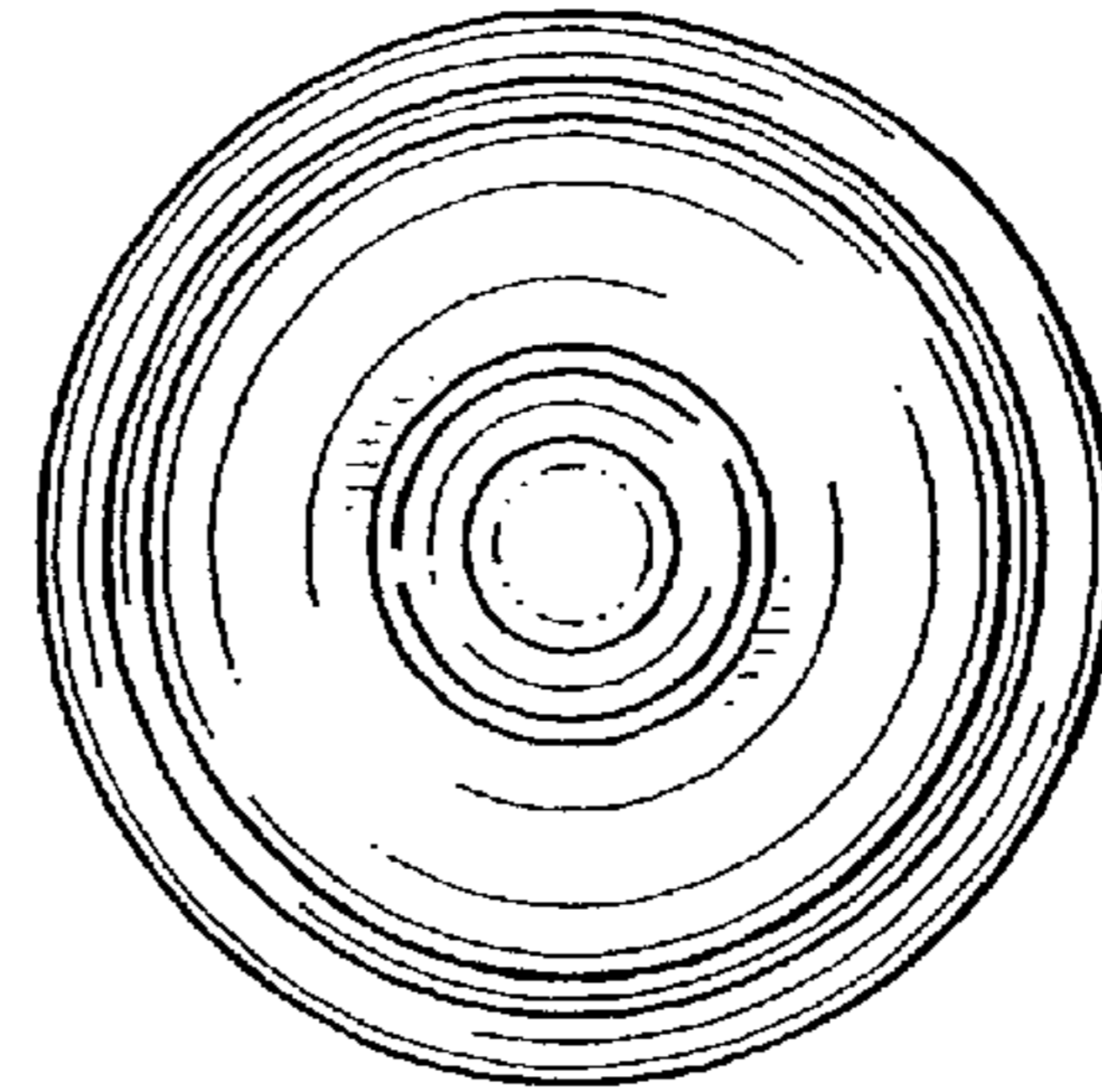


FIG. 3

FIG. 4

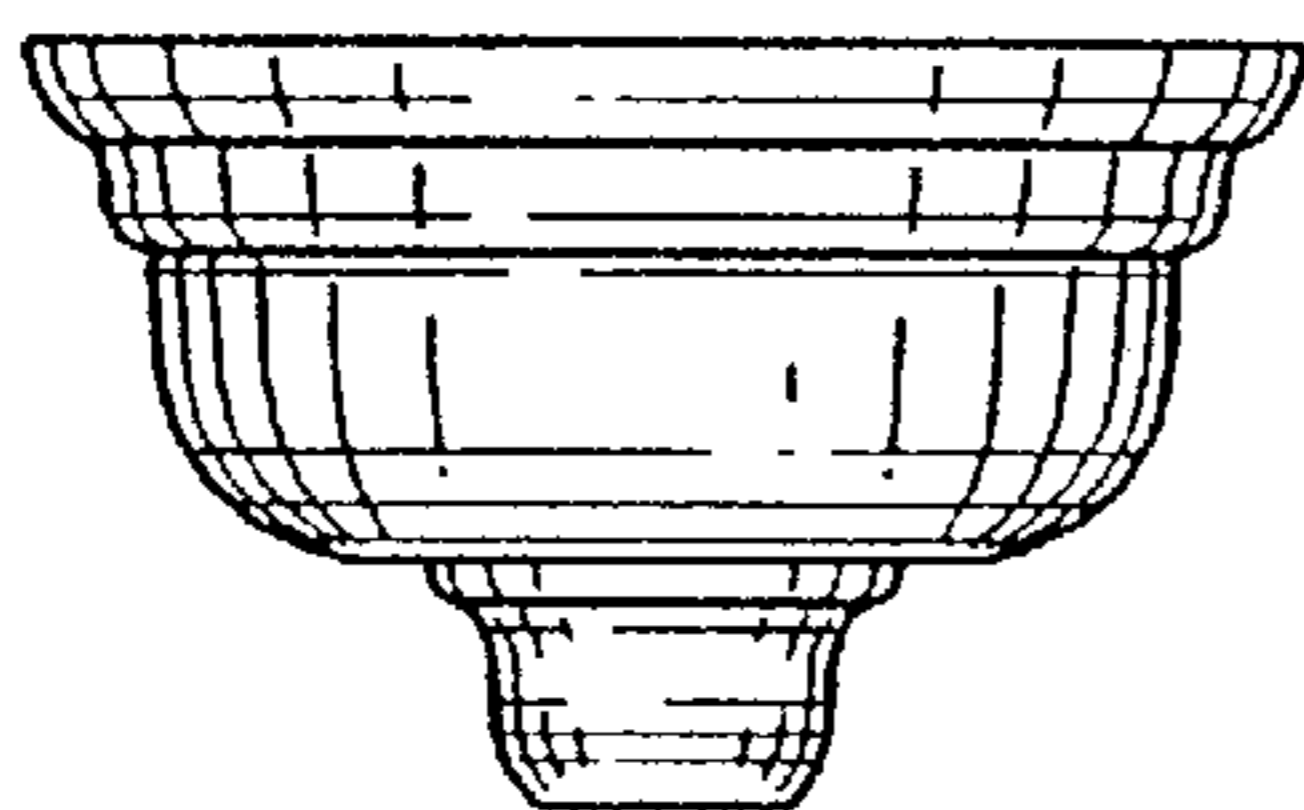


FIG. 5

