



US00D536199S

(12) **United States Design Patent**  
**Kloppsteck**

(10) **Patent No.:** **US D536,199 S**

(45) **Date of Patent:** **\*\* Feb. 6, 2007**

(54) **DISPLAY STAND FOR PRESENTING GOODS**

(75) Inventor: **Gerd Kloppsteck**, Arnsberg (DE)

(73) Assignee: **Heinrich Berndes GmbH & Co. KG**,  
Arnsberg (DE)

(\*\*) Term: **14 Years**

(21) Appl. No.: **29/197,904**

(22) Filed: **Jan. 23, 2004**

(30) **Foreign Application Priority Data**

Jul. 26, 2003 (DE) ..... 4 03 04 984

(51) **LOC (8) Cl.** ..... **06-04**

(52) **U.S. Cl.** ..... **D6/450**

(58) **Field of Classification Search** ..... D6/399,  
D6/449, 450, 453, 455, 479; 211/13.1, 85.31;  
D7/354, 361, 632; 99/425

See application file for complete search history.

(56) **References Cited**

**U.S. PATENT DOCUMENTS**

2,262,302	A	*	11/1941	Sinclair	.....	99/425
D168,997	S	*	3/1953	Horwitz	.....	D6/399
D369,066	S	*	4/1996	Johnson	.....	D7/632
5,765,700	A	*	6/1998	Donne	.....	211/85.31
D496,545	S	*	9/2004	McDiarmid	.....	D6/479

\* cited by examiner

*Primary Examiner*—Robert M. Spear  
*Assistant Examiner*—Mary Ann Calabrese

(74) *Attorney, Agent, or Firm*—Hoffman, Wasson & Gitler,  
P.C.

(57) **CLAIM**

The ornamental design of a display stand for presenting goods, as shown, and described.

**DESCRIPTION**

FIG. 1 is a front perspective view showing a first embodiment of the invention;

FIG. 2 is a reduced scale rear perspective view showing a first embodiment of the invention;

FIG. 3 is a cross-section side view showing a first embodiment of the invention;

FIG. 4 is a top perspective view showing a first embodiment of the invention;

FIG. 5 is a front perspective view showing a second embodiment of the invention;

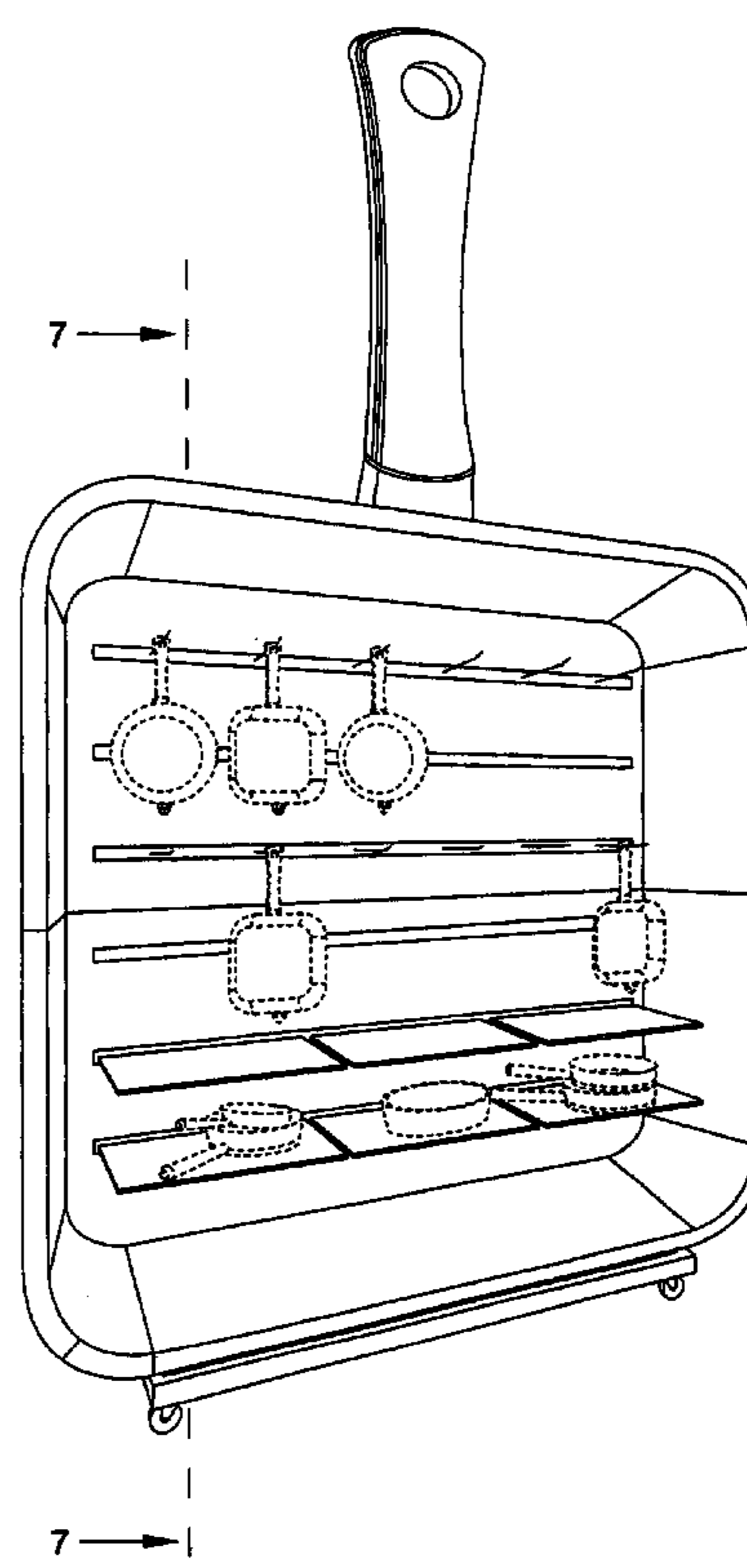
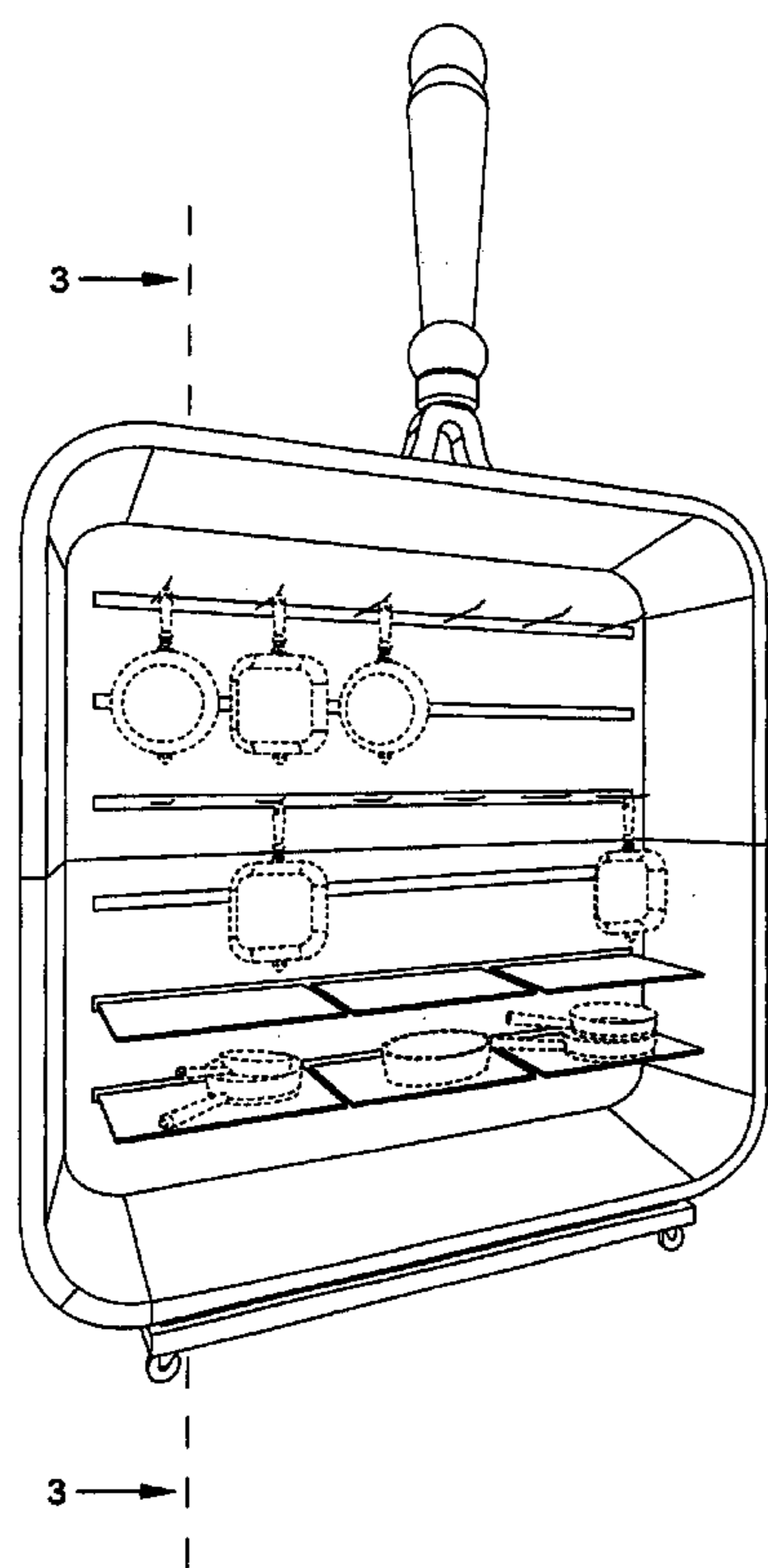
FIG. 6 is a reduced scale rear perspective view showing a second embodiment of the invention;

FIG. 7 is a cross-section side view showing a second embodiment of the invention; and,

FIG. 8 is a top perspective view showing a alternate second of the invention.

The pans, shown in dashed lines and various configurations, do not form part of the claim.

**1 Claim, 8 Drawing Sheets**



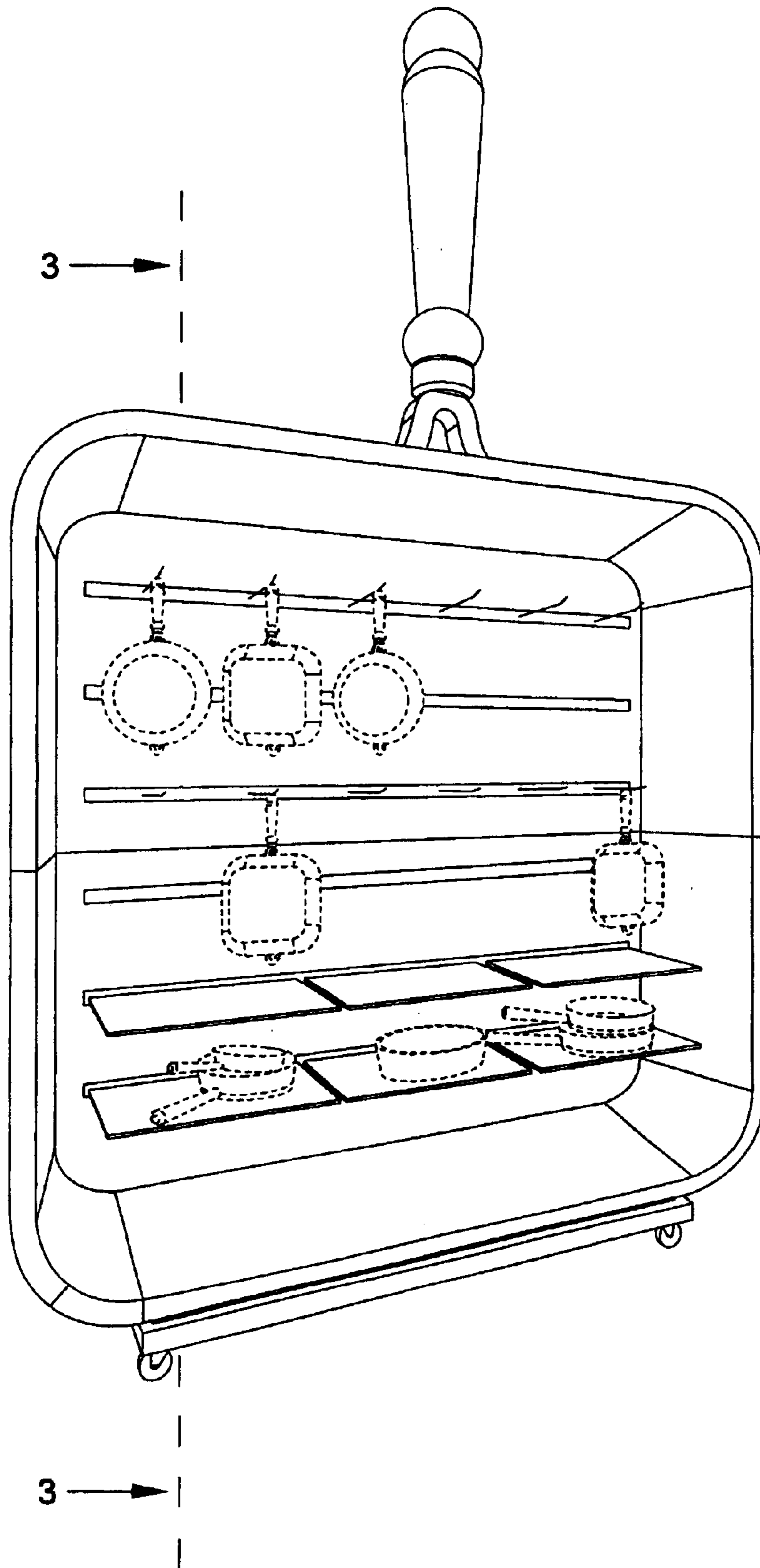


Figure 1

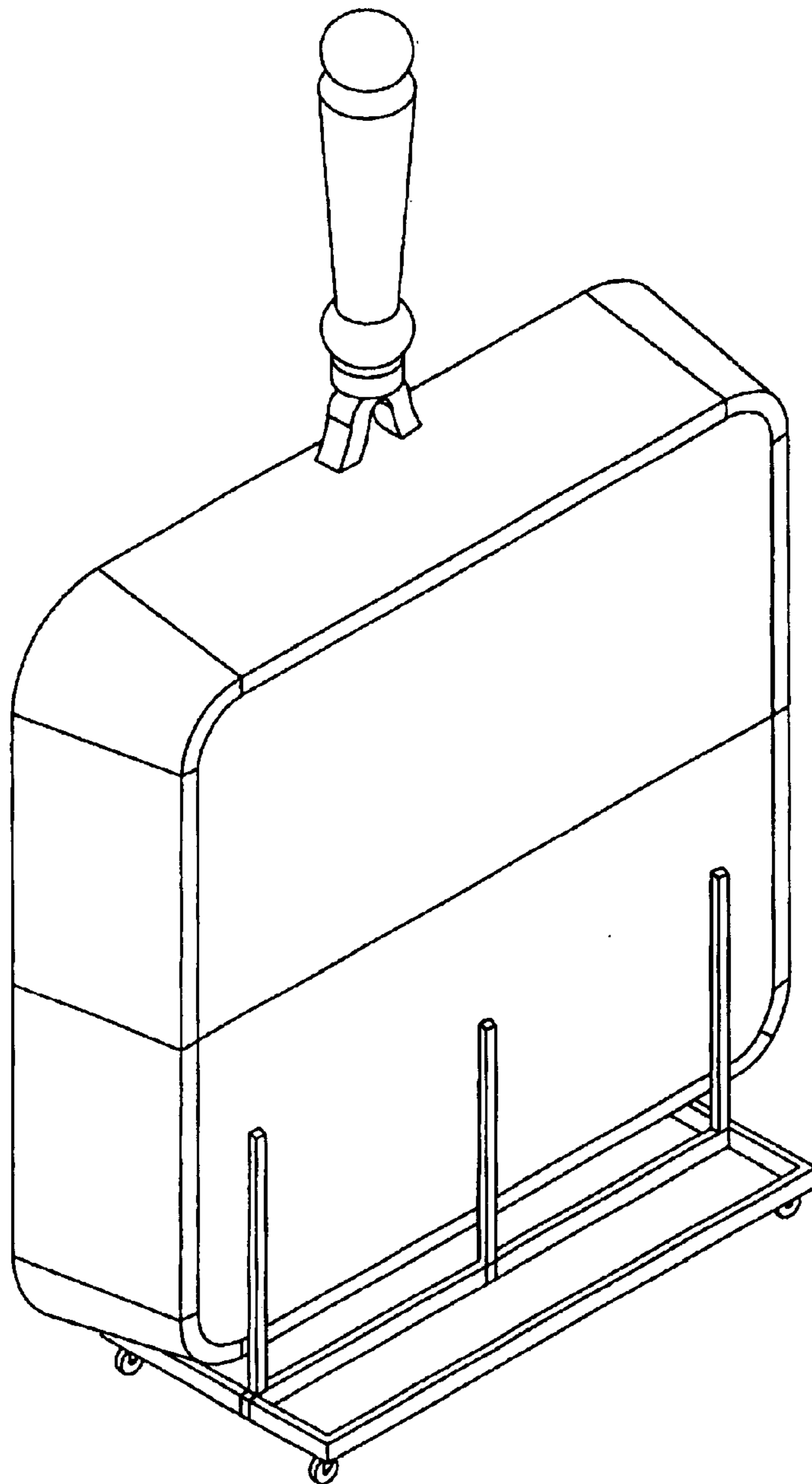


Figure 2

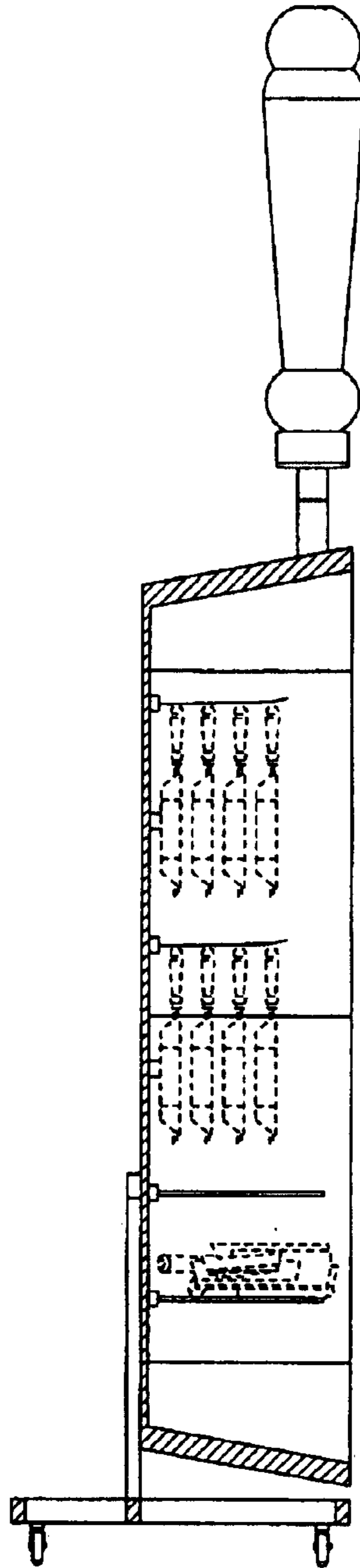


Figure 3

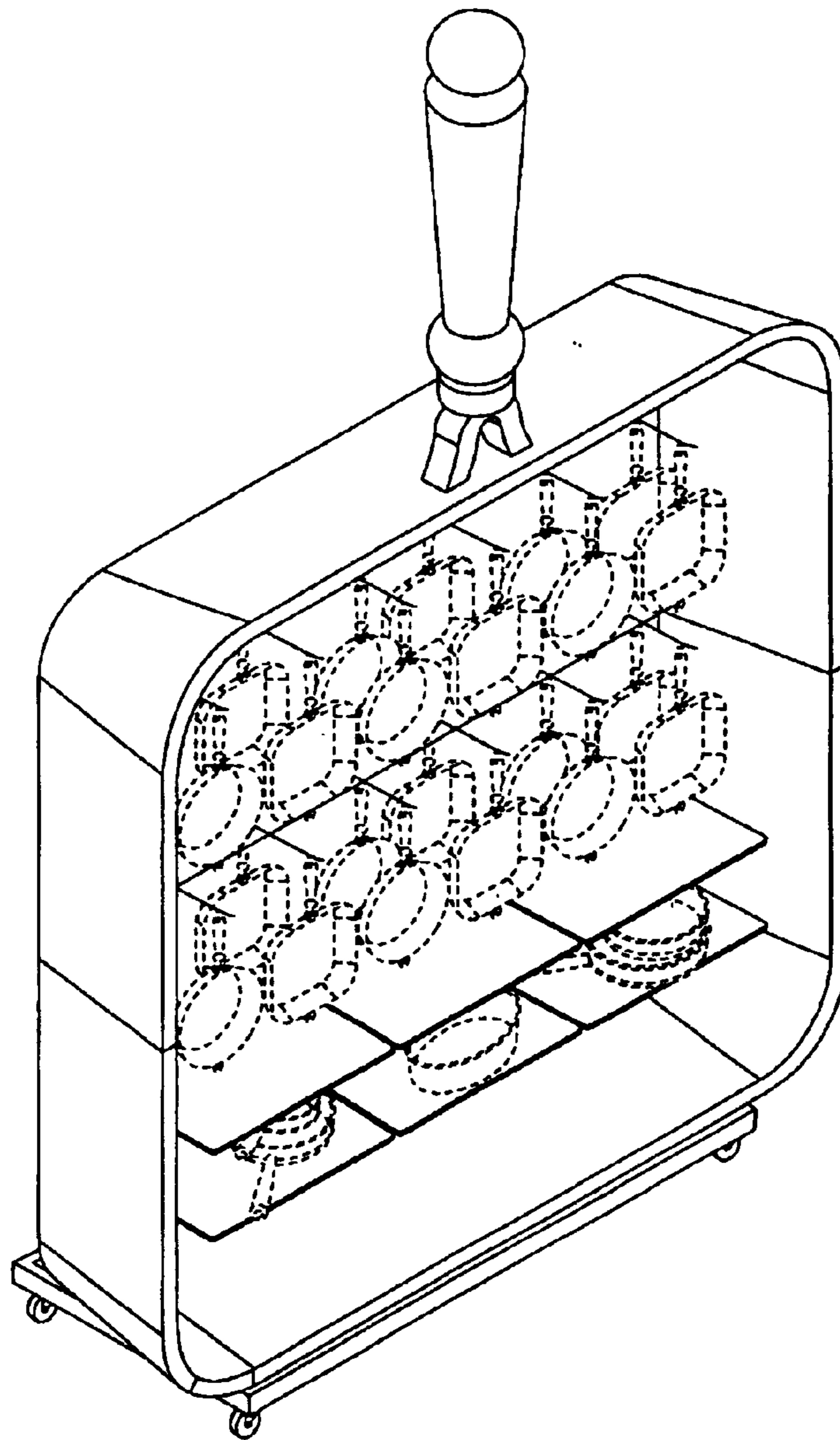


Figure 4



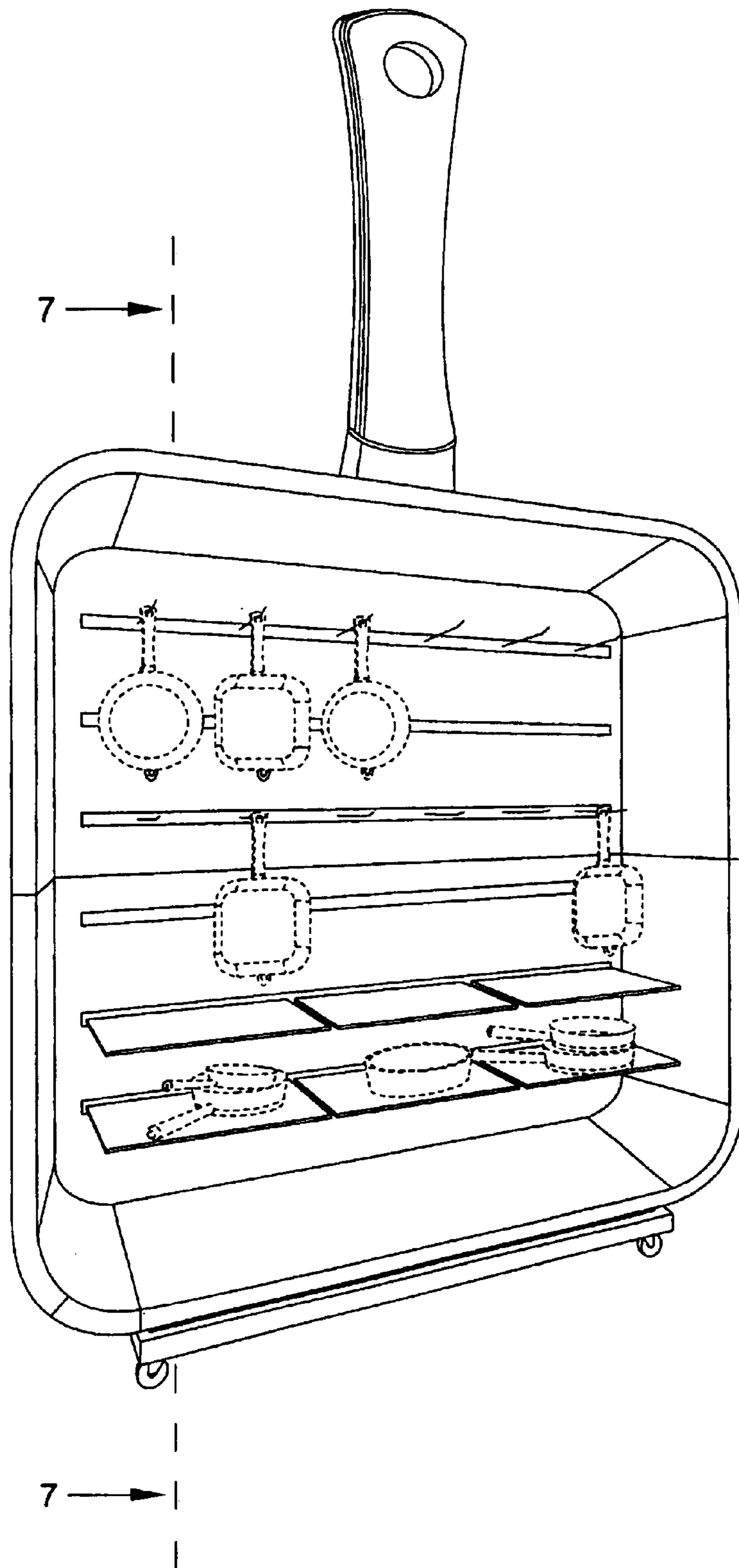


Figure 5

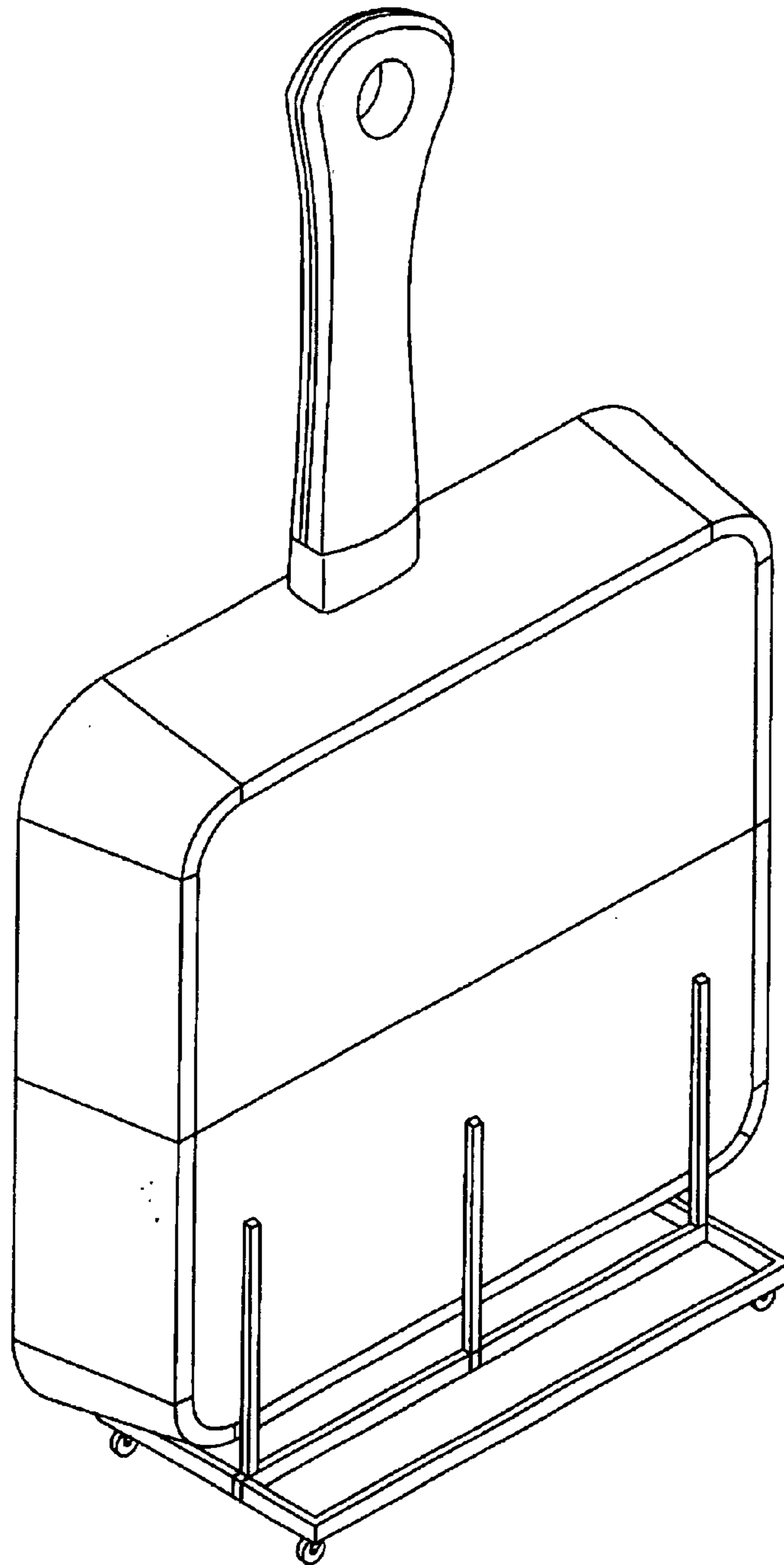


Figure 6

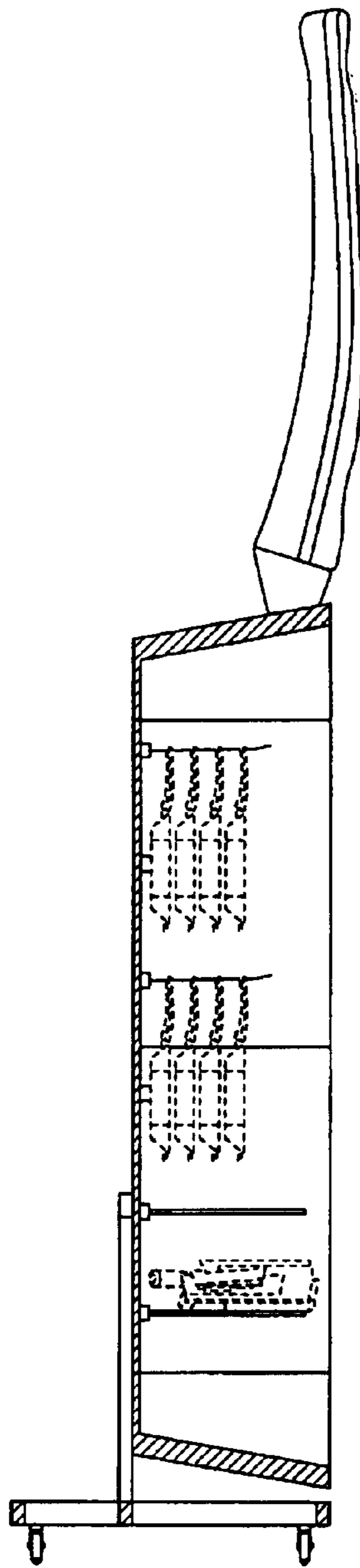


Figure 7



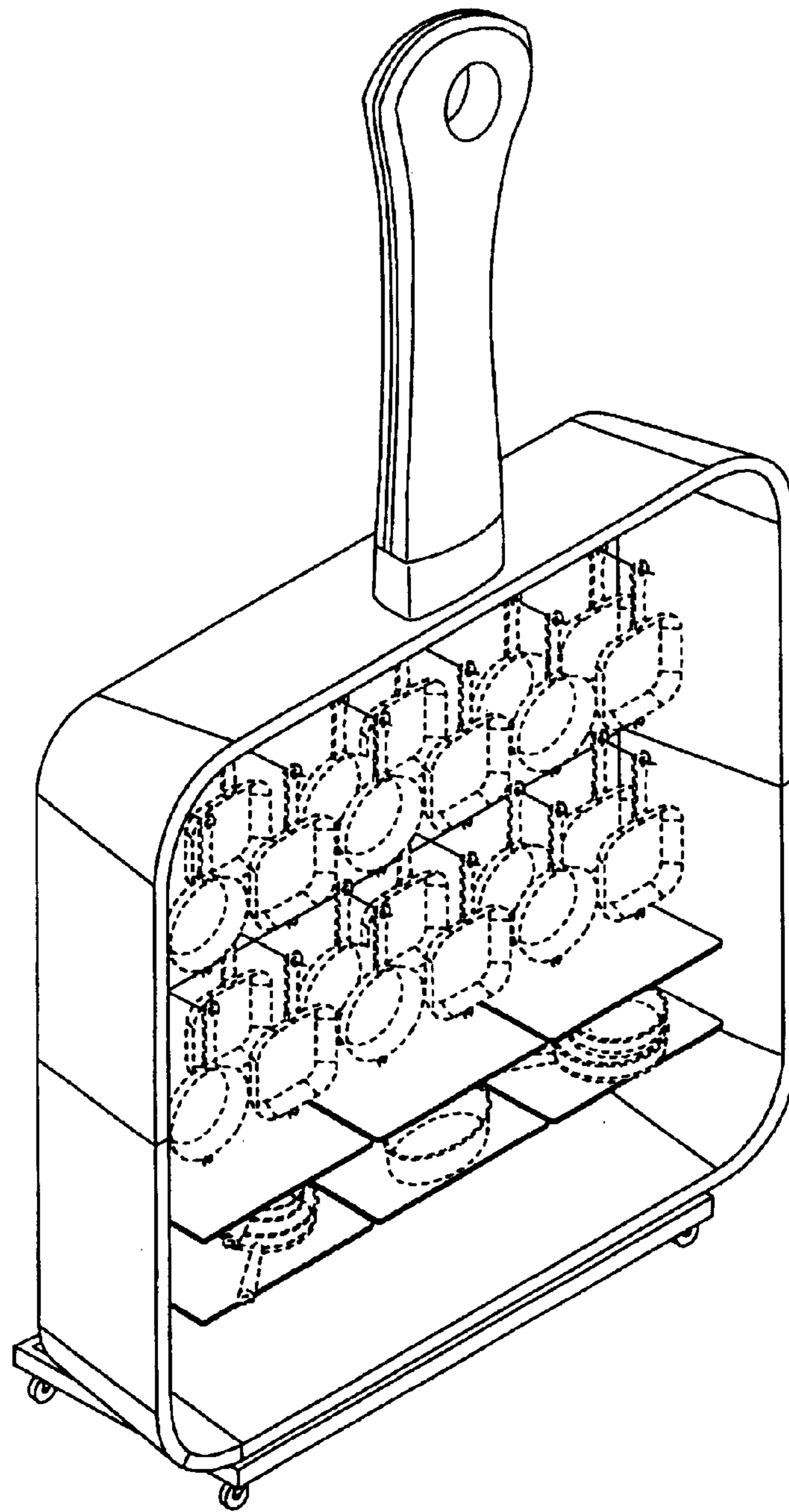


Figure 8