



US00D536191S

(12) **United States Design Patent**  
**Kasem**

(10) **Patent No.:** **US D536,191 S**

(45) **Date of Patent:** **\*\* Feb. 6, 2007**

(54) **TWIN CRIB**

6,131,217 A \* 10/2000 Kasem ..... 5/93.1  
7,017,204 B1 \* 3/2006 Fertil et al. .... 5/93.1

(76) Inventor: **Jean Kasem**, 138 N. Mapleton Dr., Los Angeles, CA (US) 90077

\* cited by examiner

(\*\*) Term: **14 Years**

*Primary Examiner*—Janice E. Seeger  
(74) *Attorney, Agent, or Firm*—Blakely, Sokoloff, Taylor & Zafman LLP

(21) Appl. No.: **29/227,300**

(22) Filed: **Apr. 7, 2005**

(57) **CLAIM**

(51) **LOC (8) Cl.** ..... **06-06**

The ornamental design for a twin crib, as shown and described.

(52) **U.S. Cl.** ..... **D6/390; D6/503**

(58) **Field of Classification Search** ..... D6/382,  
D6/390, 391, 331, 385, 388, 389, 503, 303;  
5/93.1, 97, 98.1, 100, 99.1

**DESCRIPTION**

See application file for complete search history.

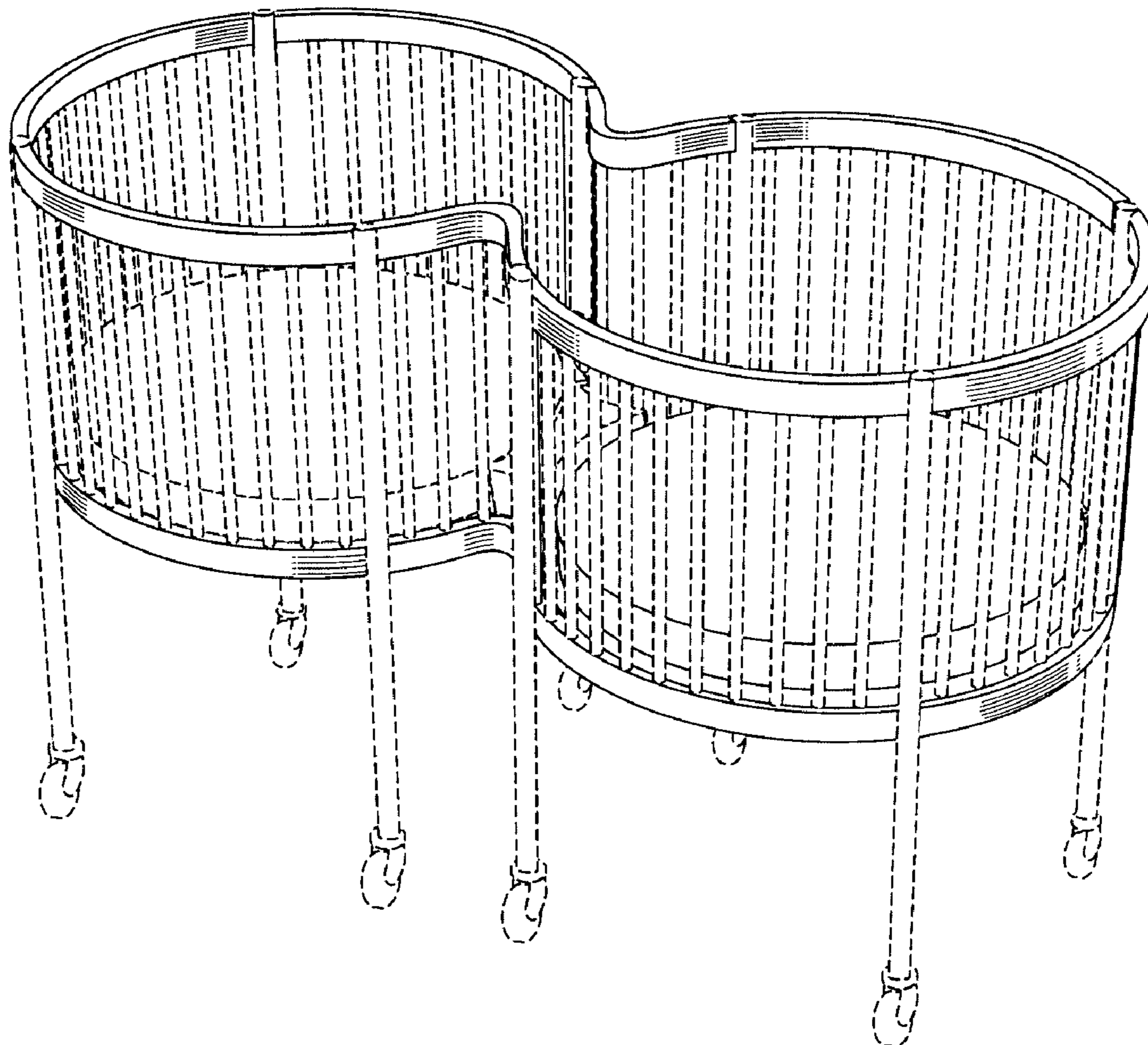
FIG. 1 is an elevation view of the twin crib.  
FIG. 2 is an end view of the twin crib.  
FIG. 3 is a side view of the twin crib.  
FIG. 4 is a bottom view of the twin crib; and,  
FIG. 5 is a top view of the twin crib.  
The broken lines in the figures are for environmental purpose only and form no part of the claimed design.

(56) **References Cited**

**U.S. PATENT DOCUMENTS**

2,523,422 A \* 9/1950 Dunn ..... 5/99.1  
D421,194 S \* 2/2000 Kasem ..... D6/390  
D425,325 S \* 5/2000 Kasem ..... D6/390

**1 Claim, 5 Drawing Sheets**



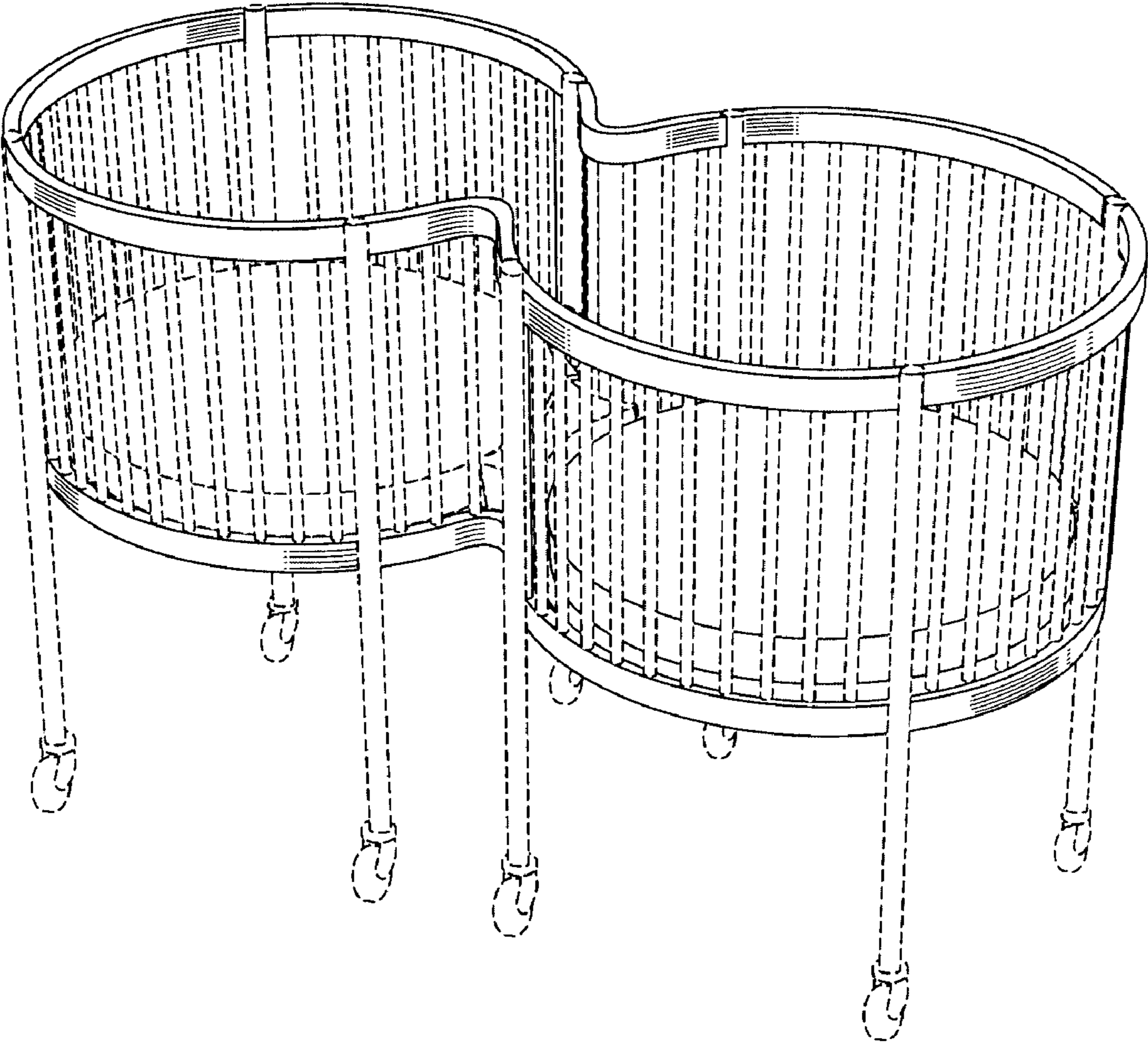


FIG. 1

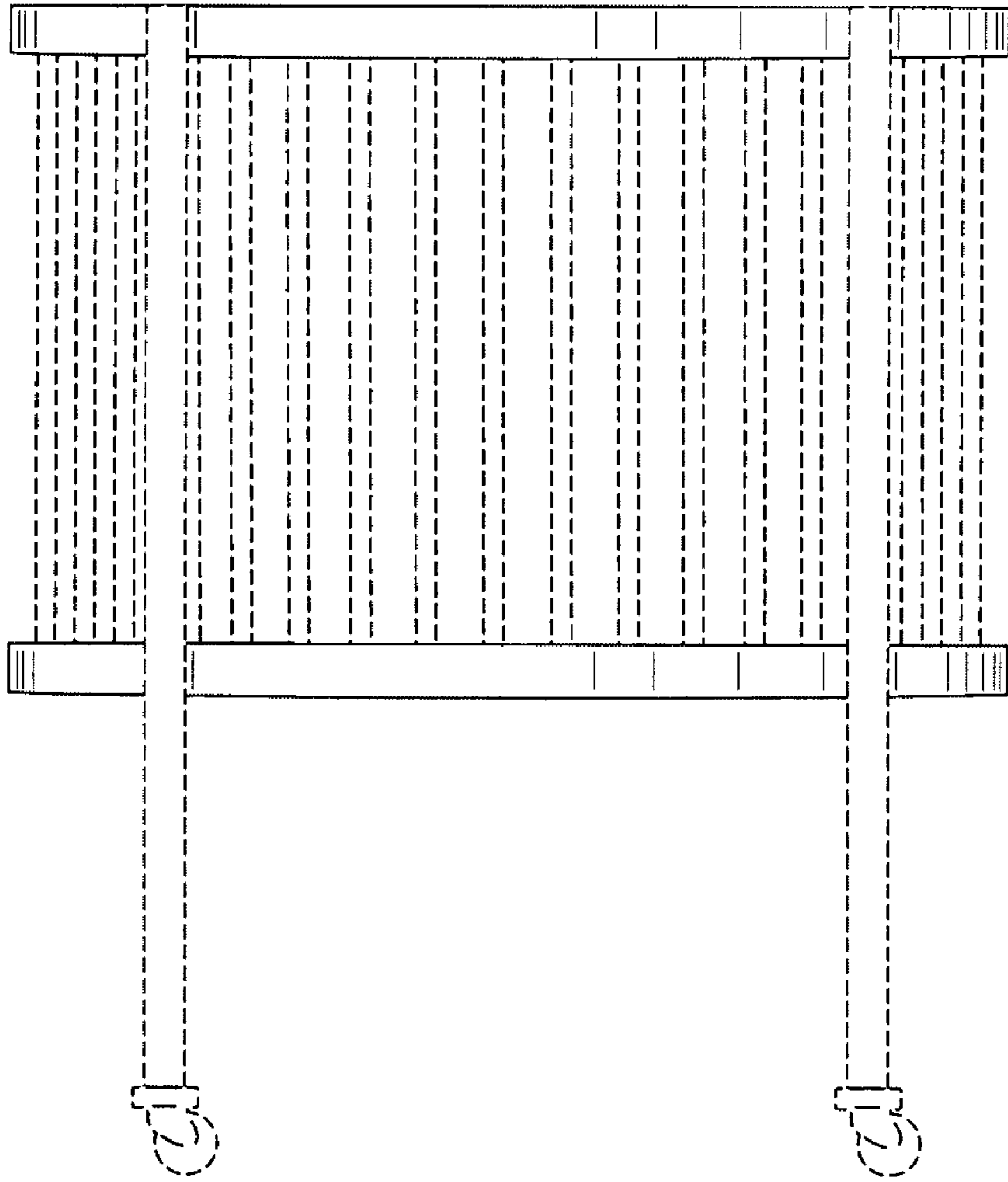


FIG. 2

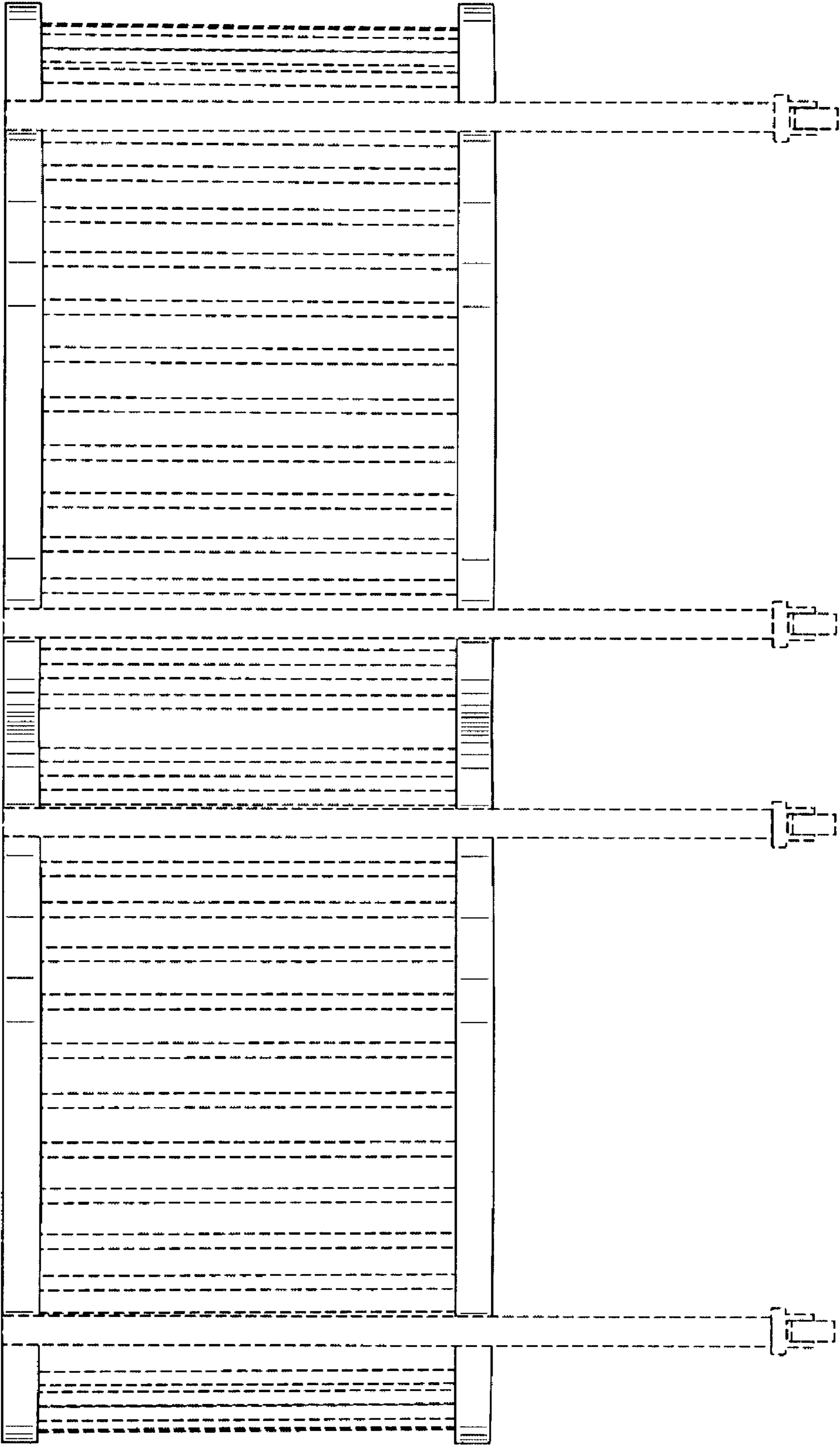


FIG. 3

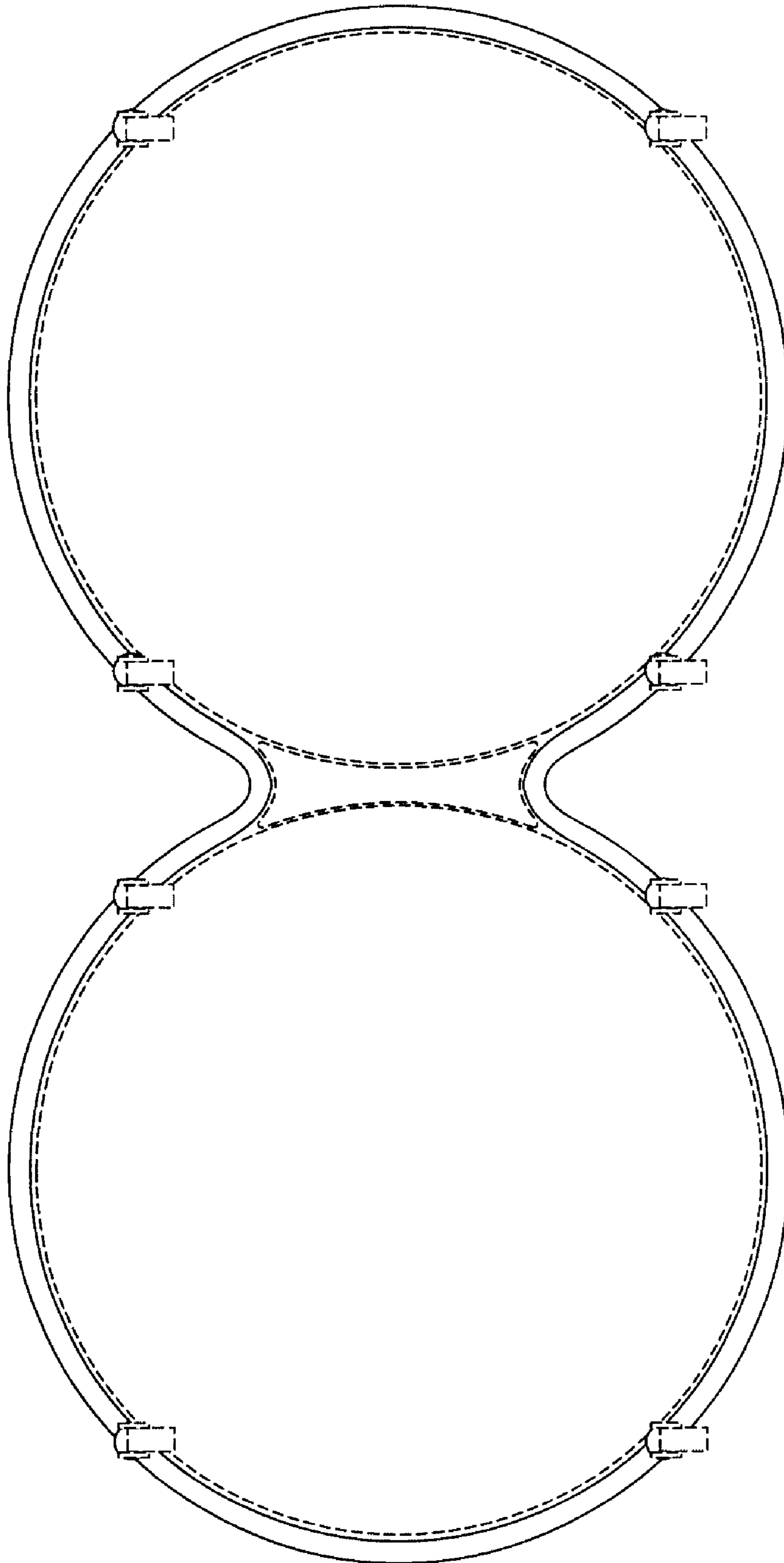


FIG. 4

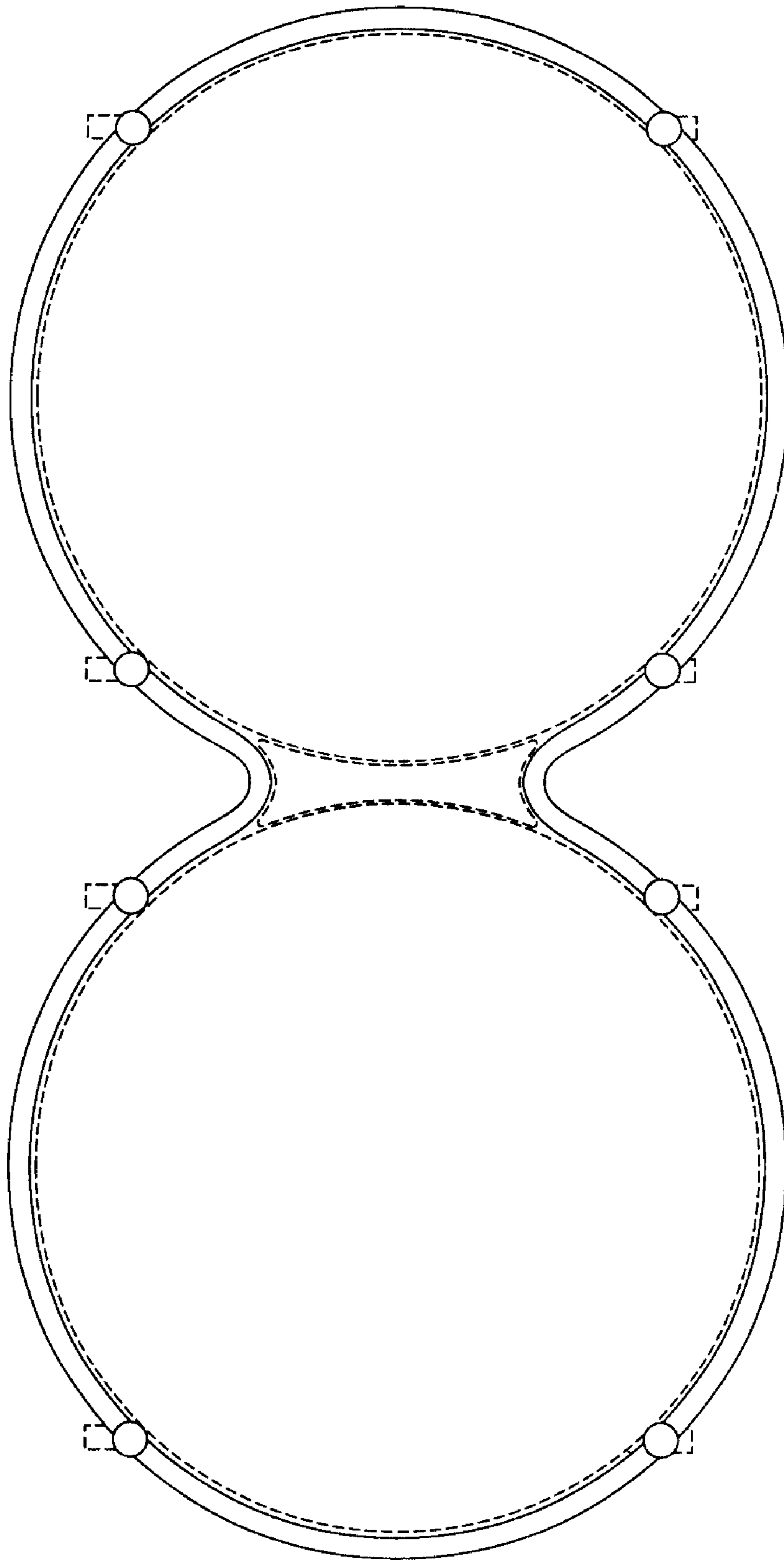


FIG. 5