



US00D536189S

(12) **United States Design Patent**
Kita

(10) **Patent No.:** **US D536,189 S**

(45) **Date of Patent:** **** Feb. 6, 2007**

(54) **MASSAGE CHAIR**

(75) Inventor: **Toshiyuki Kita**, Nishinomiya (JP)

(73) Assignee: **Family Co., Ltd.**, Osaka (JP)

(**) Term: **14 Years**

(21) Appl. No.: **29/240,185**

(22) Filed: **Oct. 6, 2005**

(30) **Foreign Application Priority Data**

Apr. 8, 2005 (JP) 2005-010628

(51) **LOC (8) Cl.** **06-01**

(52) **U.S. Cl.** **D6/367**

(58) **Field of Classification Search** D6/334-336,
D6/360, 361, 367, 371, 373, 379, 500-502;
297/68, 271.1, 271.2, 271.3, 411.45, 423.19,
297/423.3; 601/49, 57-59, 97-99, 102, 115,
601/116, 148, 149

See application file for complete search history.

(56) **References Cited**

U.S. PATENT DOCUMENTS

D336,167 S	*	6/1993	Yamasaki et al.	D6/367
D372,800 S	*	8/1996	Yamasaki	D6/367
D372,801 S	*	8/1996	Fujimoto et al.	D6/367
D372,802 S	*	8/1996	Fujimoto et al.	D6/367
D418,990 S	*	1/2000	Oguri et al.	D6/367
D471,372 S	*	3/2003	Inada et al.	D6/367
D491,375 S	*	6/2004	Yuyama	D6/335
D502,607 S	*	3/2005	Miyake et al.	D6/335
D502,817 S	*	3/2005	Inada et al.	D6/367
D503,048 S	*	3/2005	Inada et al.	D6/367
D517,337 S	*	3/2006	Mori	D6/367
D517,338 S	*	3/2006	Inada et al.	D6/367
2005/0146176 A1	*	7/2005	Yoda et al.	297/217.1

* cited by examiner

Primary Examiner—Mimosa De

(74) *Attorney, Agent, or Firm*—Alleman Hall McCoy Russell & Tuttle LLP

(57) **CLAIM**

The ornamental design for a massage chair, as shown and described.

DESCRIPTION

FIG. 1 is a left side view of a massage chair of the present invention.

FIG. 2 is a right side view of the massage chair of FIG. 1.

FIG. 3 is a top view of the massage chair of FIG. 1.

FIG. 4 is a bottom view of the massage chair of FIG. 1.

FIG. 5 is a rear view of the massage chair of FIG. 1.

FIG. 6 is a front view of the massage chair of FIG. 1.

FIG. 7 is a left side view of the massage chair of FIG. 1, shown with a backrest portion reclined and a footrest portion extended.

FIG. 8 is a right side view of the massage chair of FIG. 1, shown with the backrest portion reclined and the footrest portion extended.

FIG. 9 is a top view of the massage chair of FIG. 1, shown with the backrest portion reclined and the footrest portion extended.

FIG. 10 is a bottom view of the massage chair of FIG. 1, shown with the backrest portion reclined and the footrest portion extended.

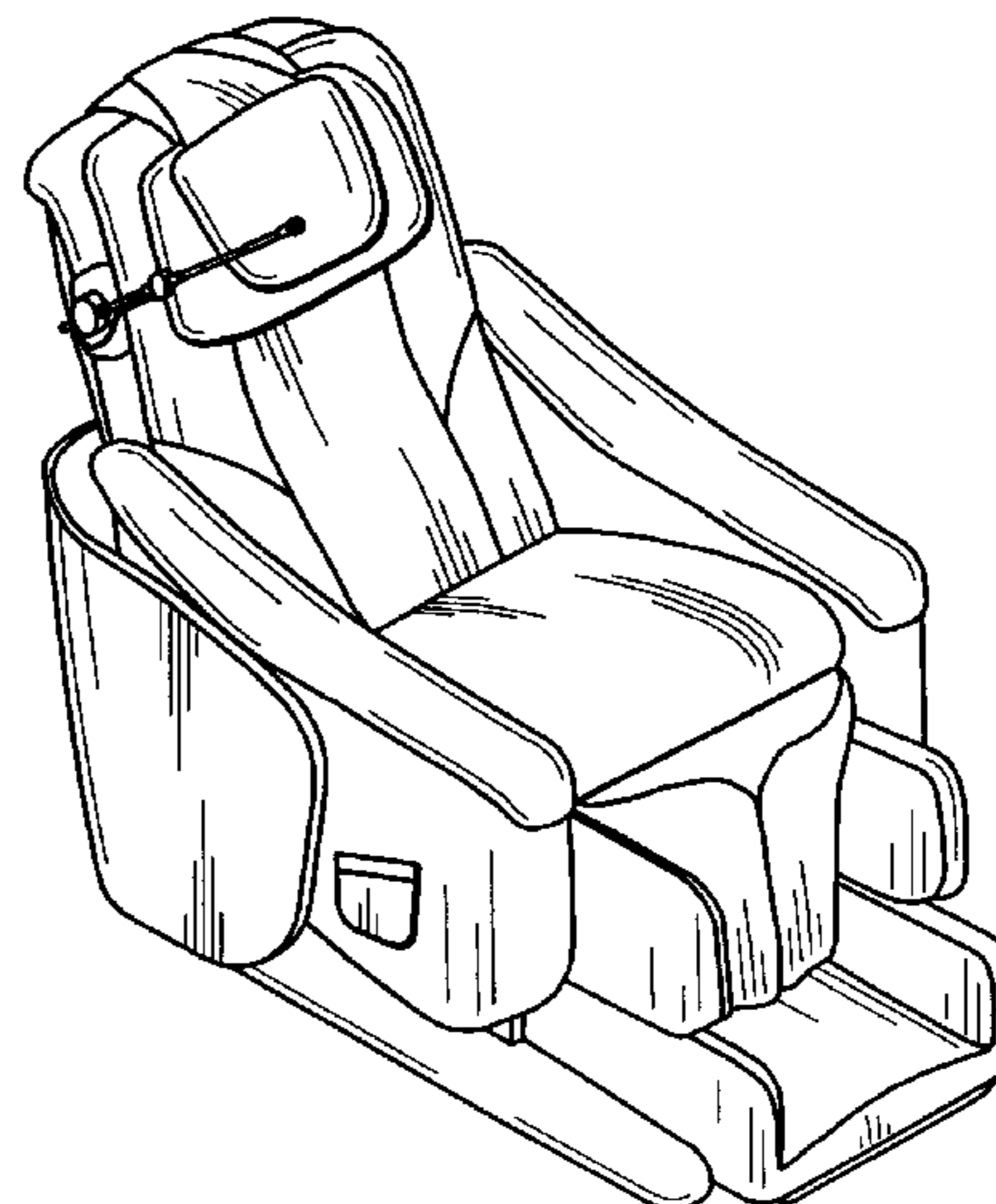
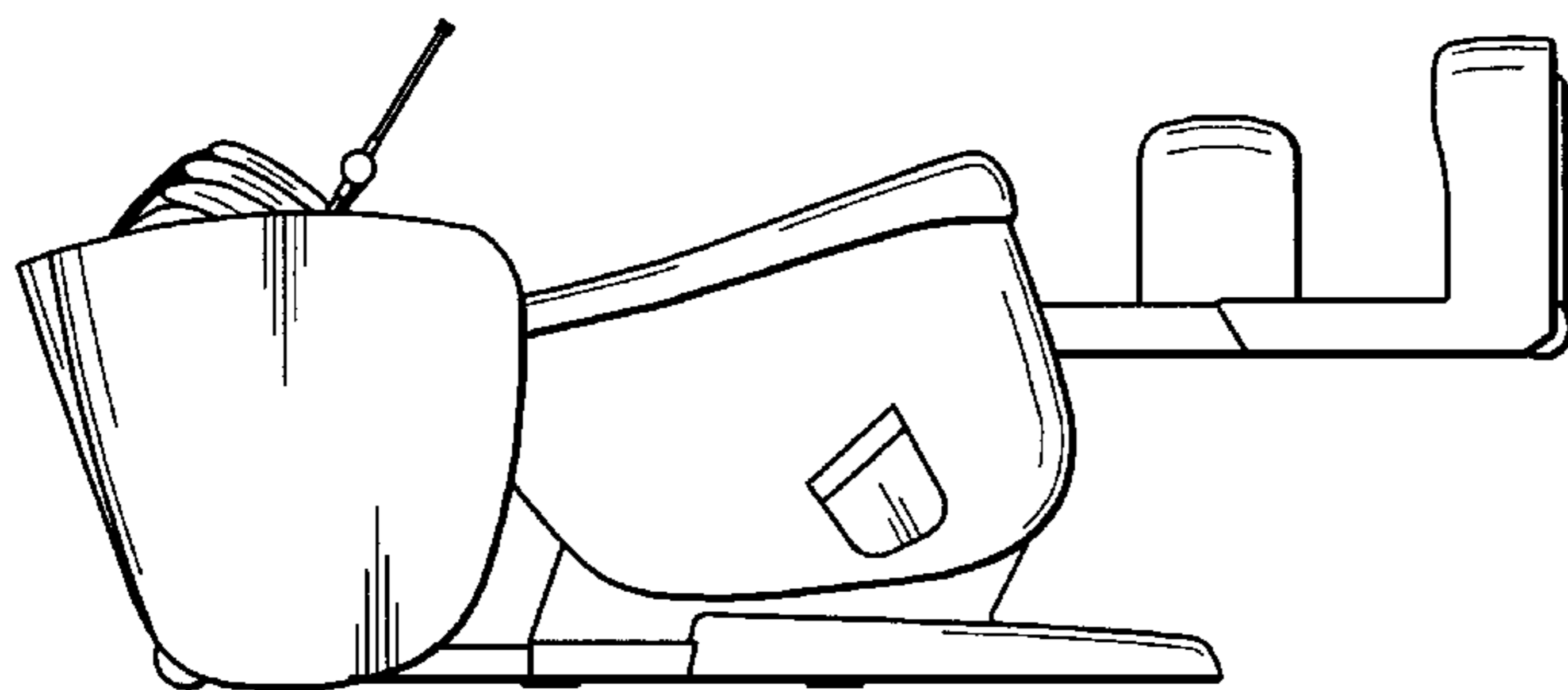
FIG. 11 is a rear view of the massage chair of FIG. 1, shown with the backrest portion reclined and the footrest portion extended.

FIG. 12 is a front view of the massage chair of FIG. 1, shown with the backrest reclined portion and the footrest portion extended.

FIG. 13 is a top view of the massage chair of FIG. 1, shown with air bags inflated for massaging the legs of a user.

FIG. 14 is a front view of the massage chair of FIG. 1, shown with air bags inflated for massaging the legs of a user; and, FIG. 15 is a perspective view of the massage chair of FIG. 1.

1 Claim, 5 Drawing Sheets



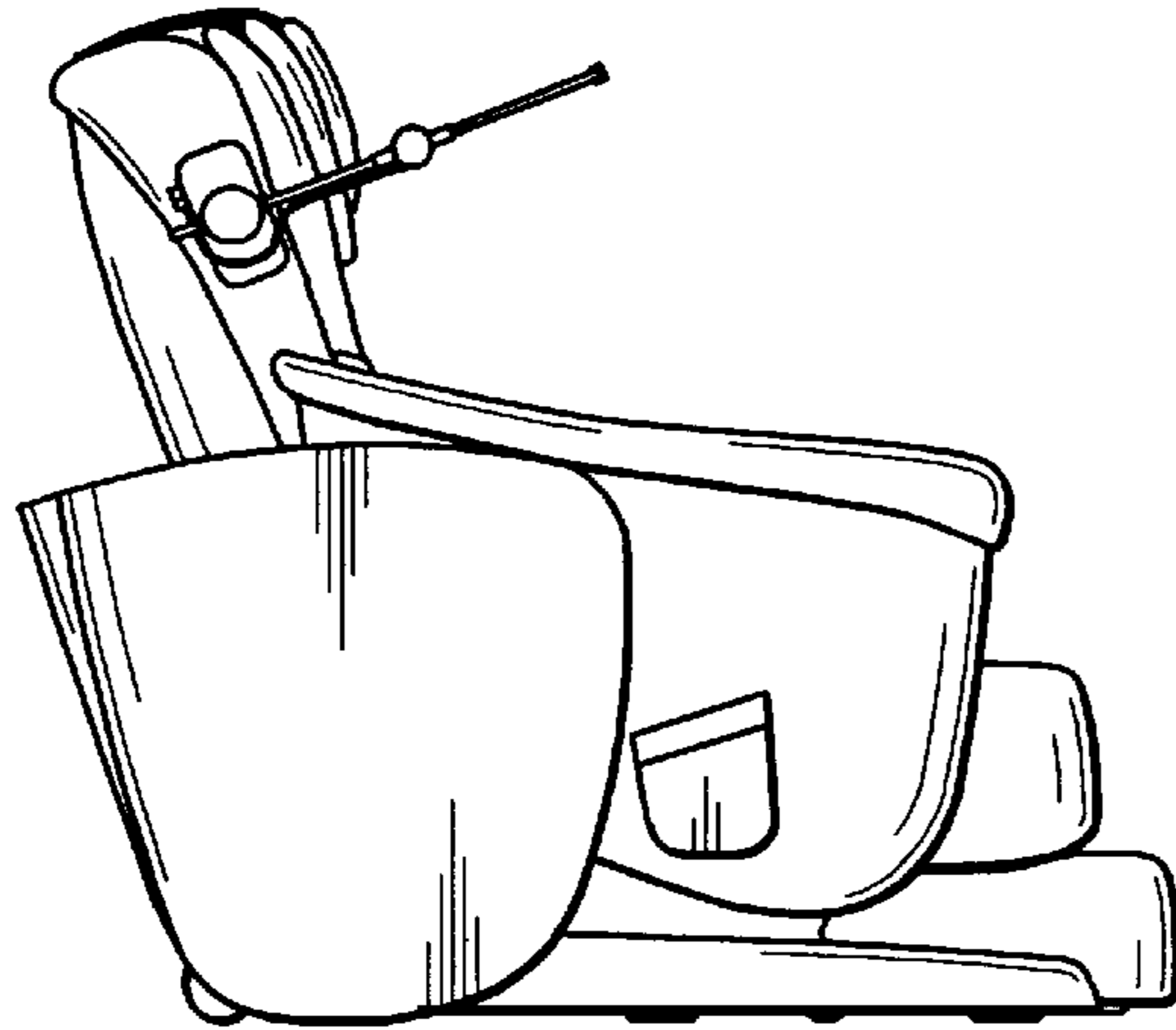


FIG. 1

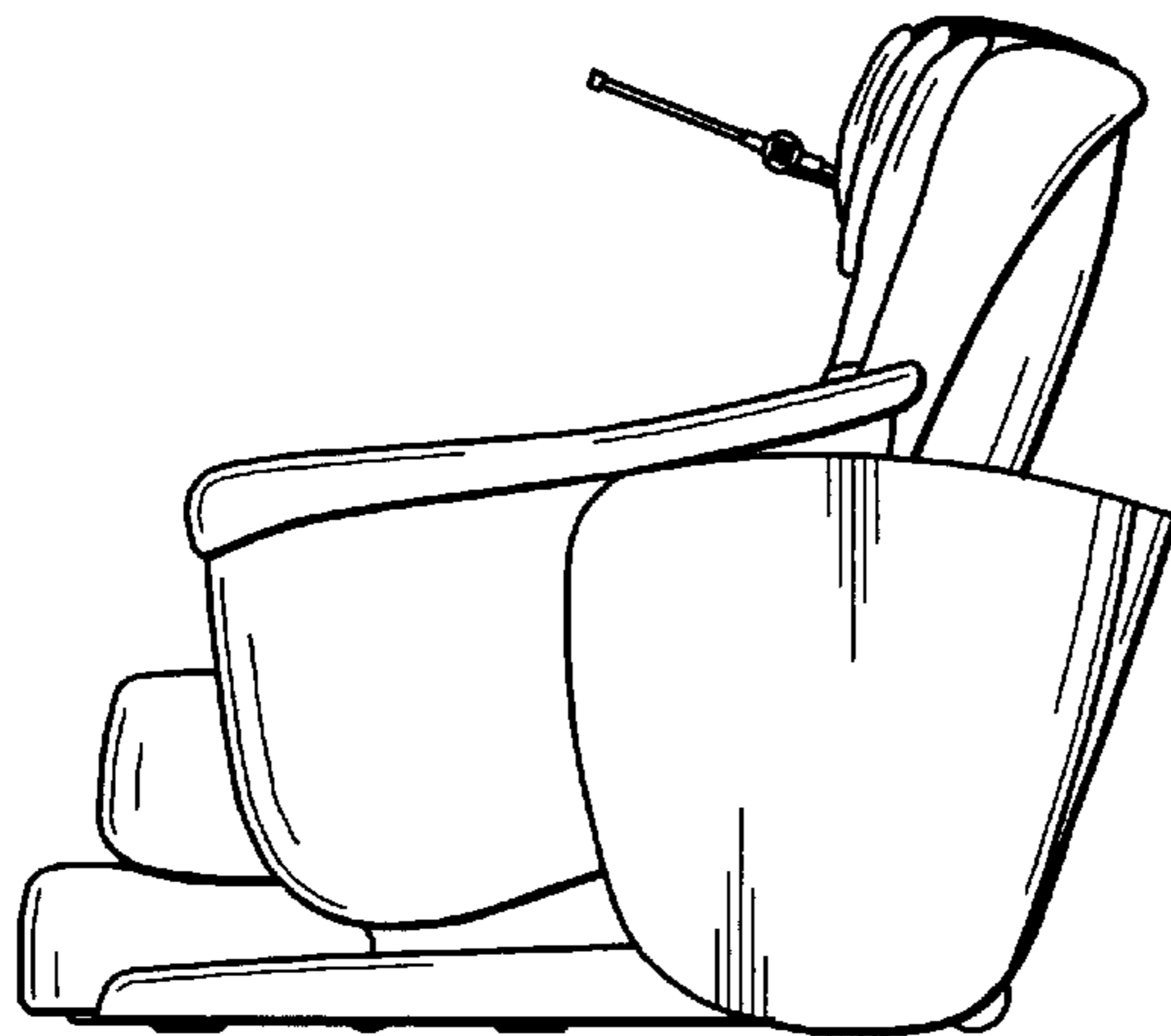


FIG. 2

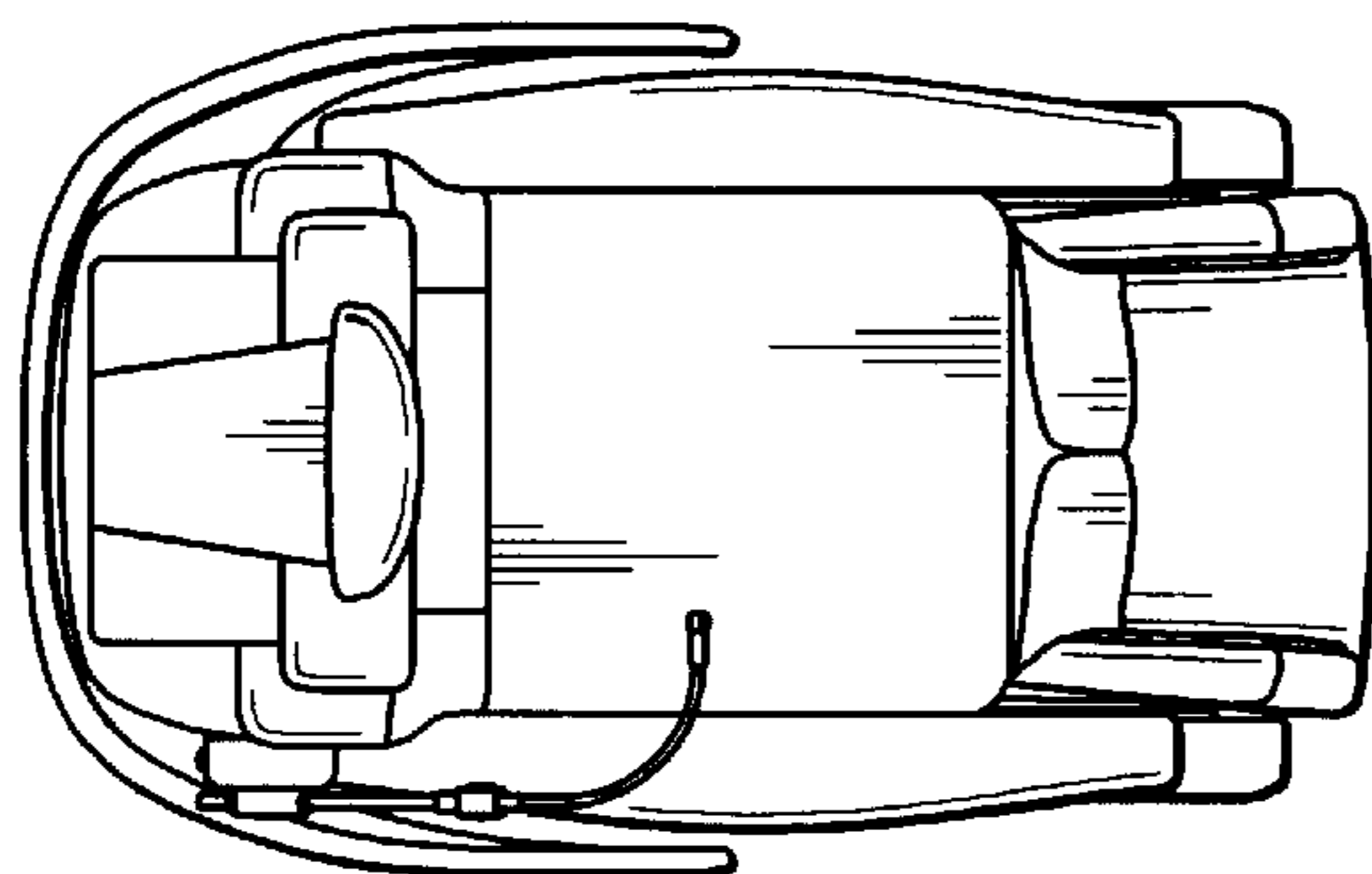


FIG. 3

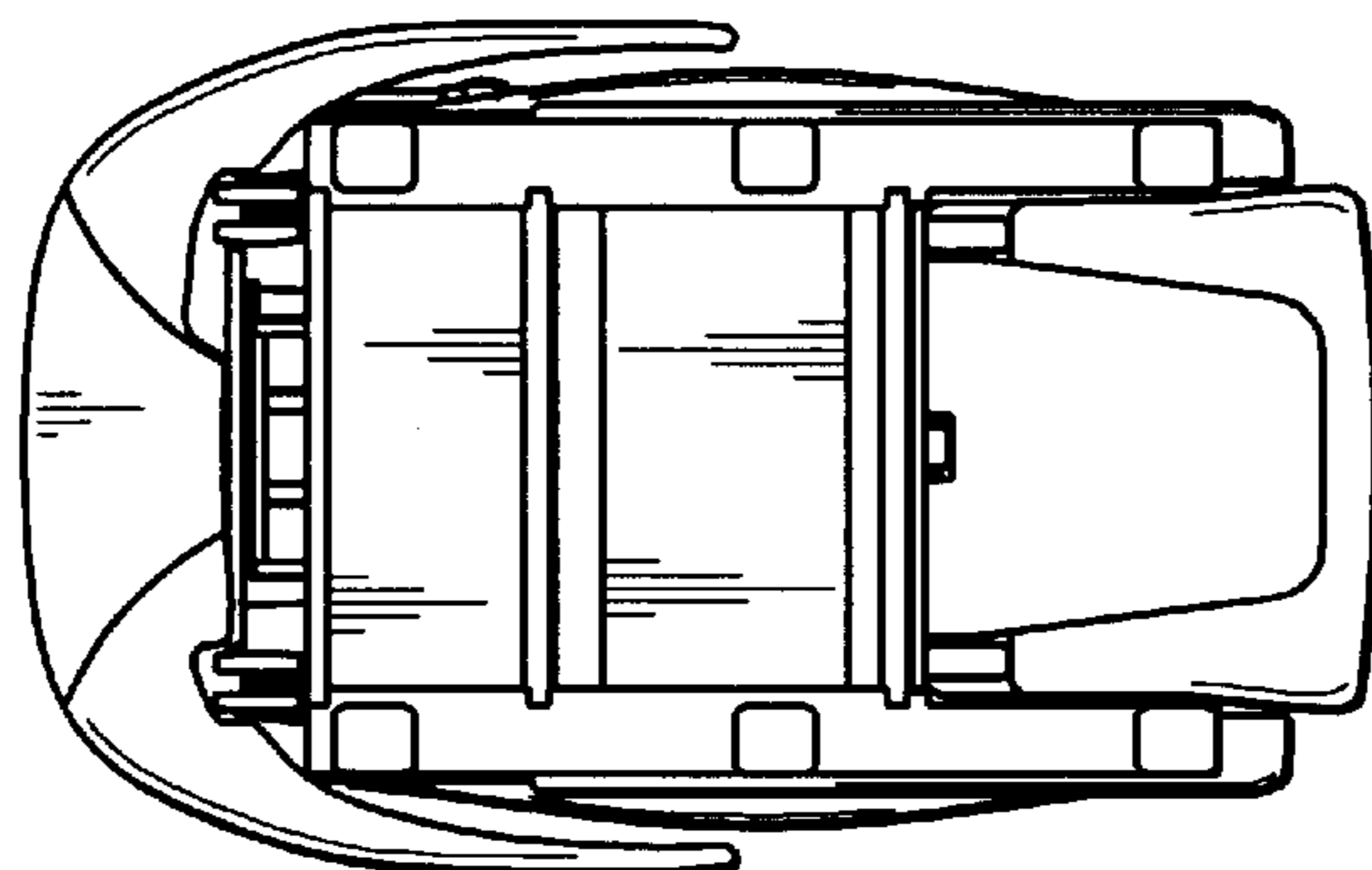


FIG. 4

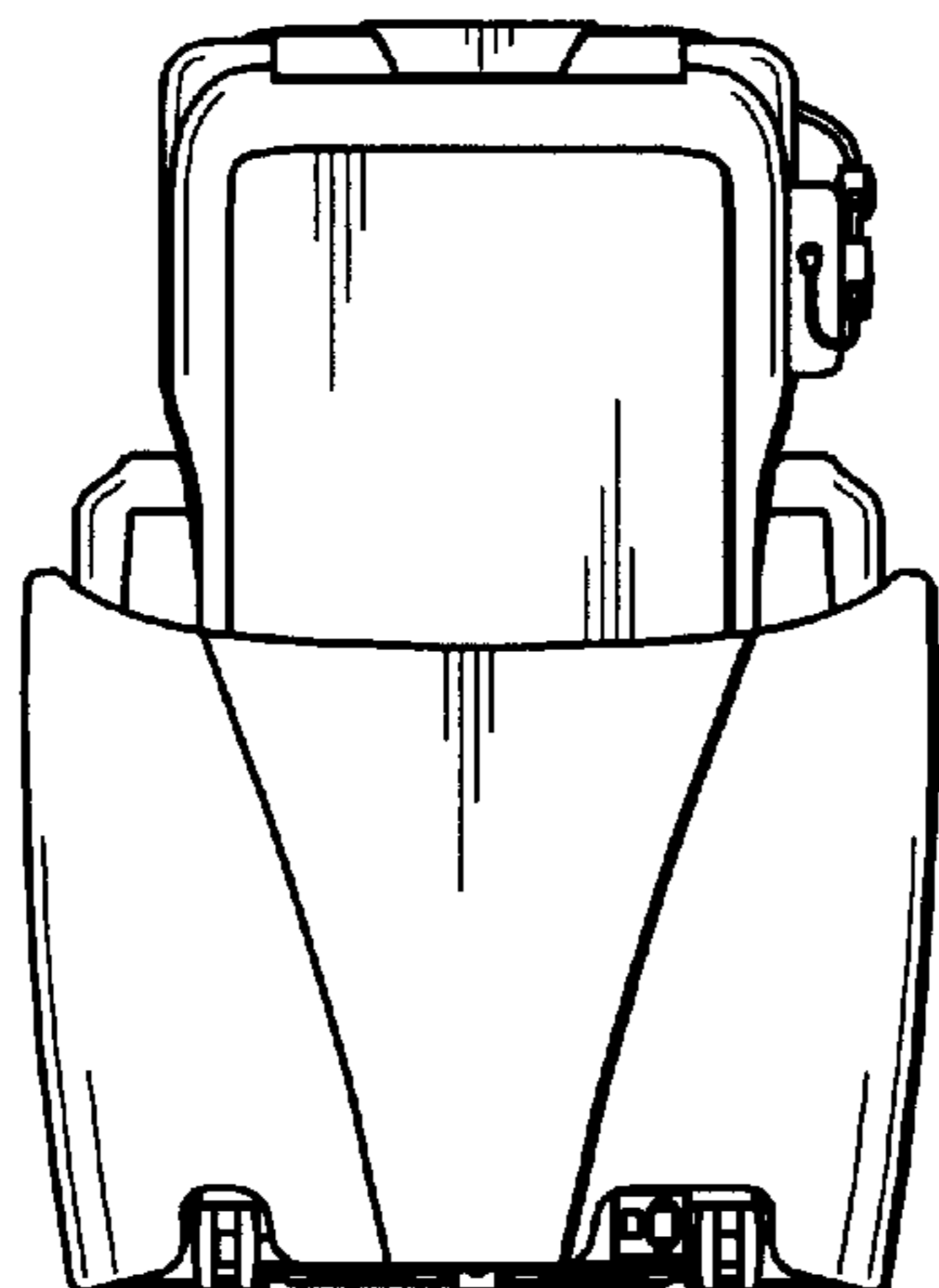


FIG. 5

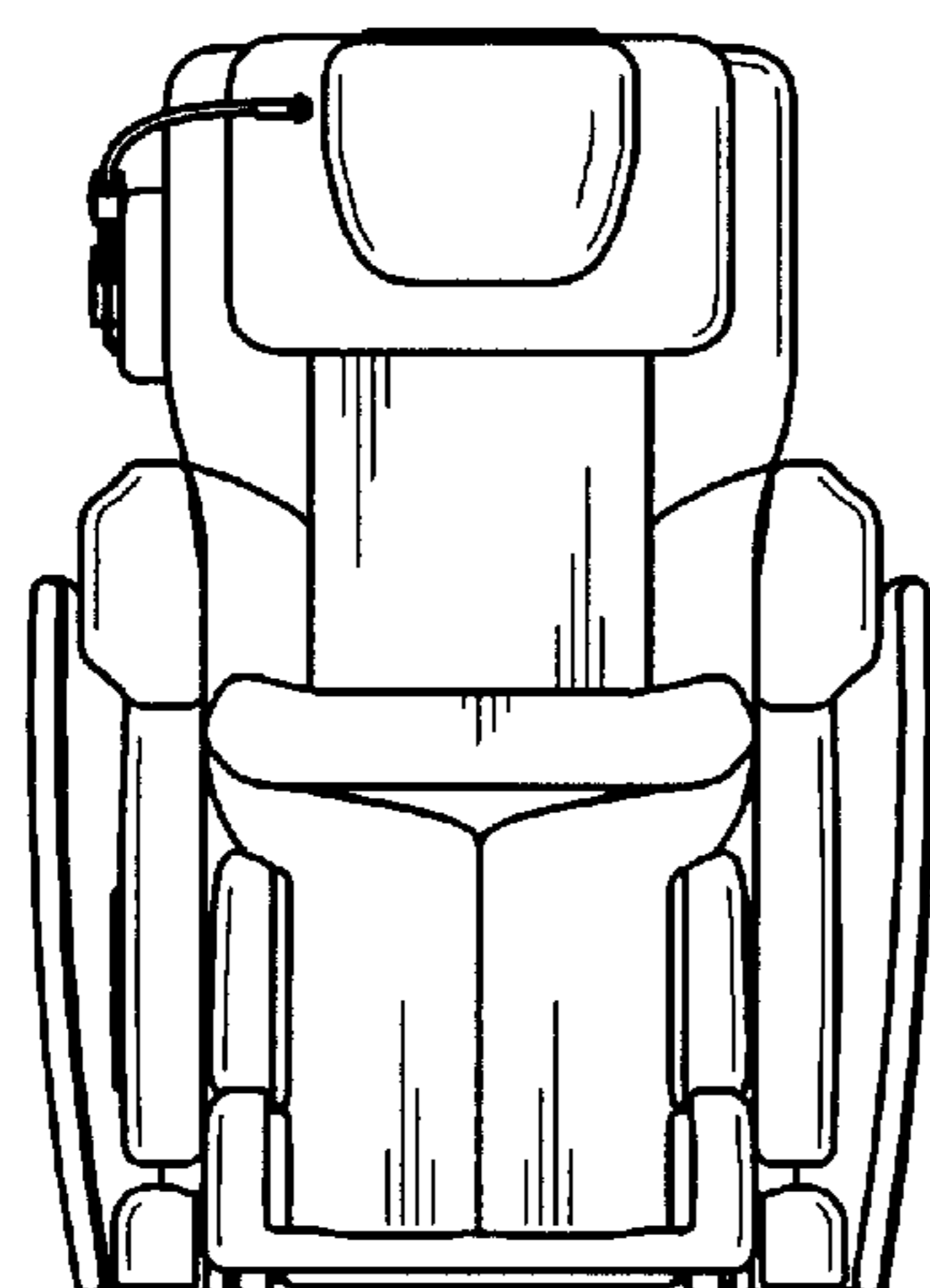


FIG. 6

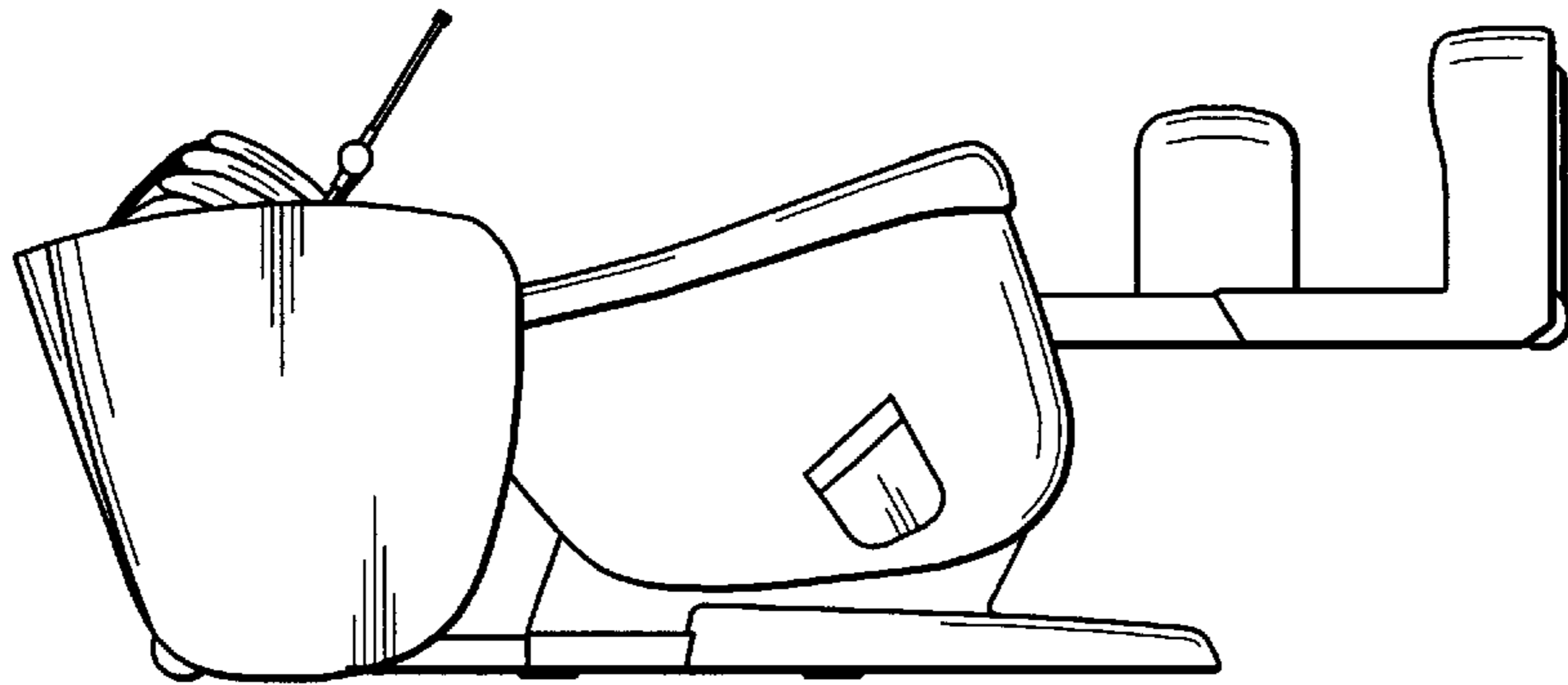


FIG. 7

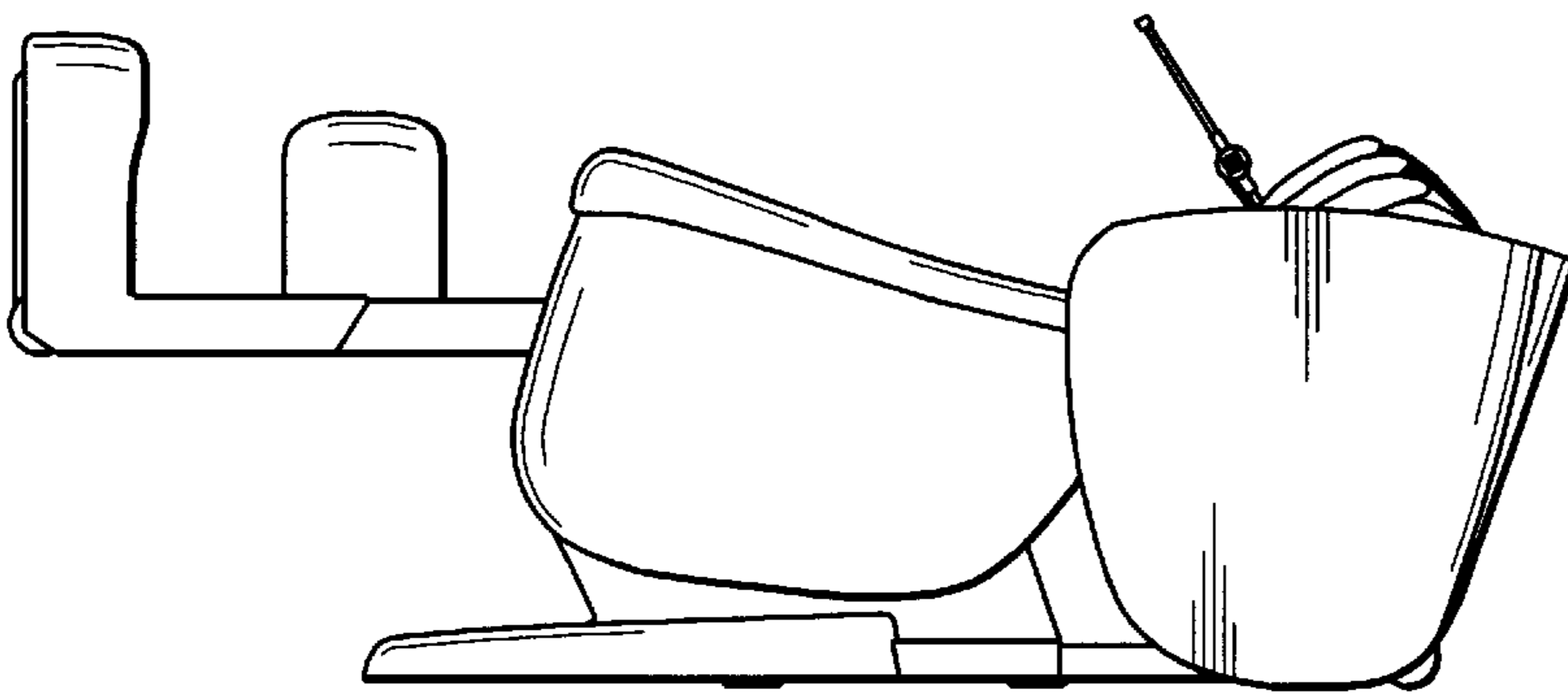


FIG. 8

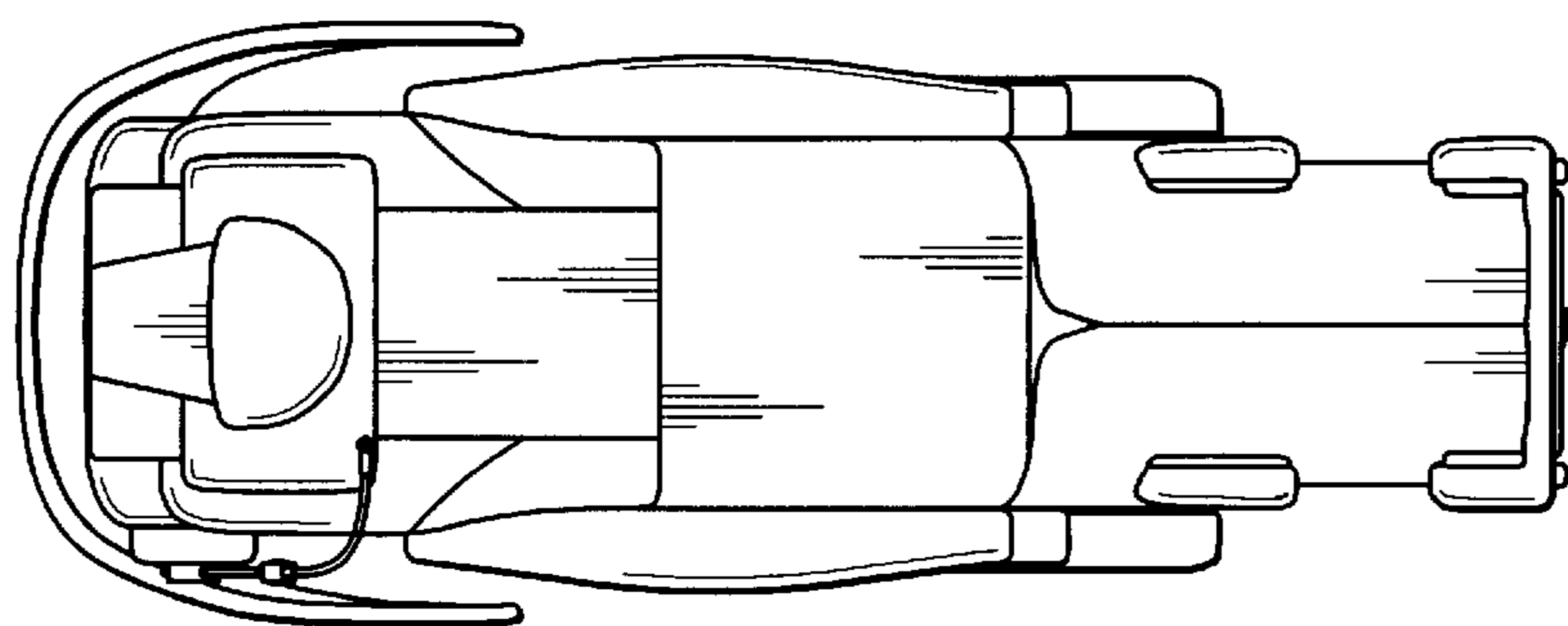


FIG. 9

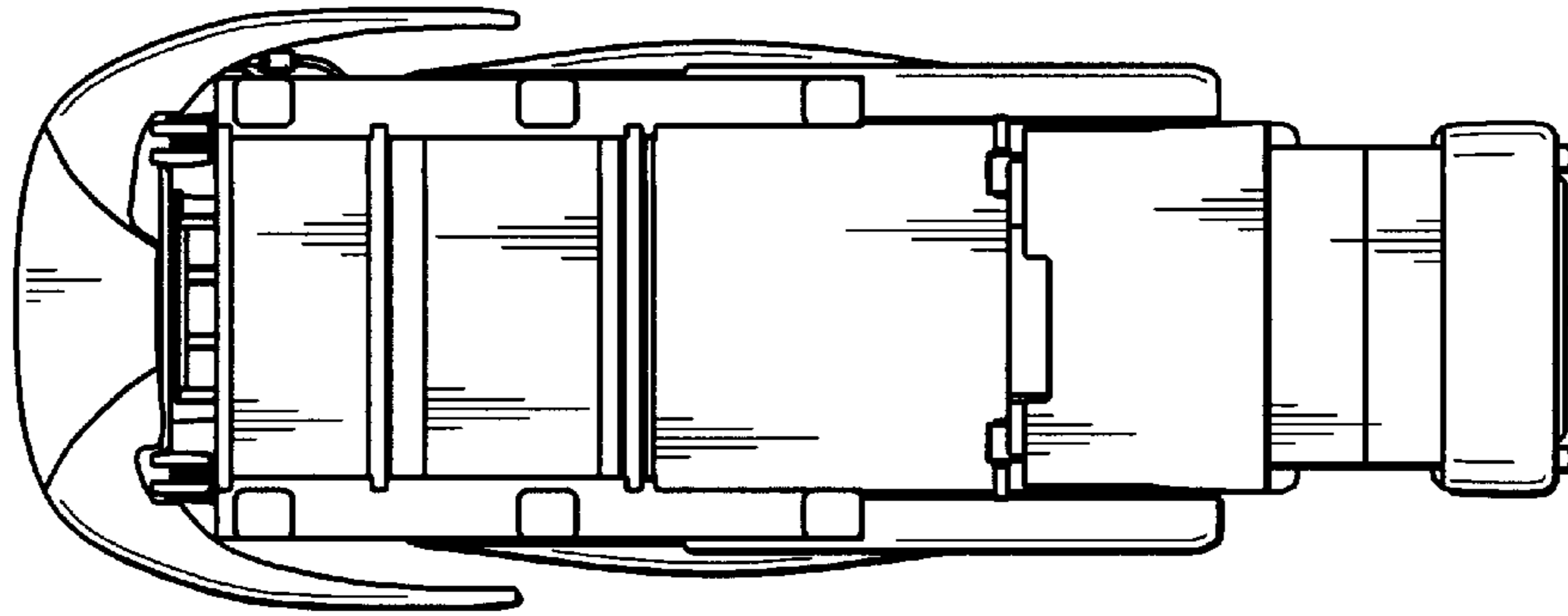


FIG. 10

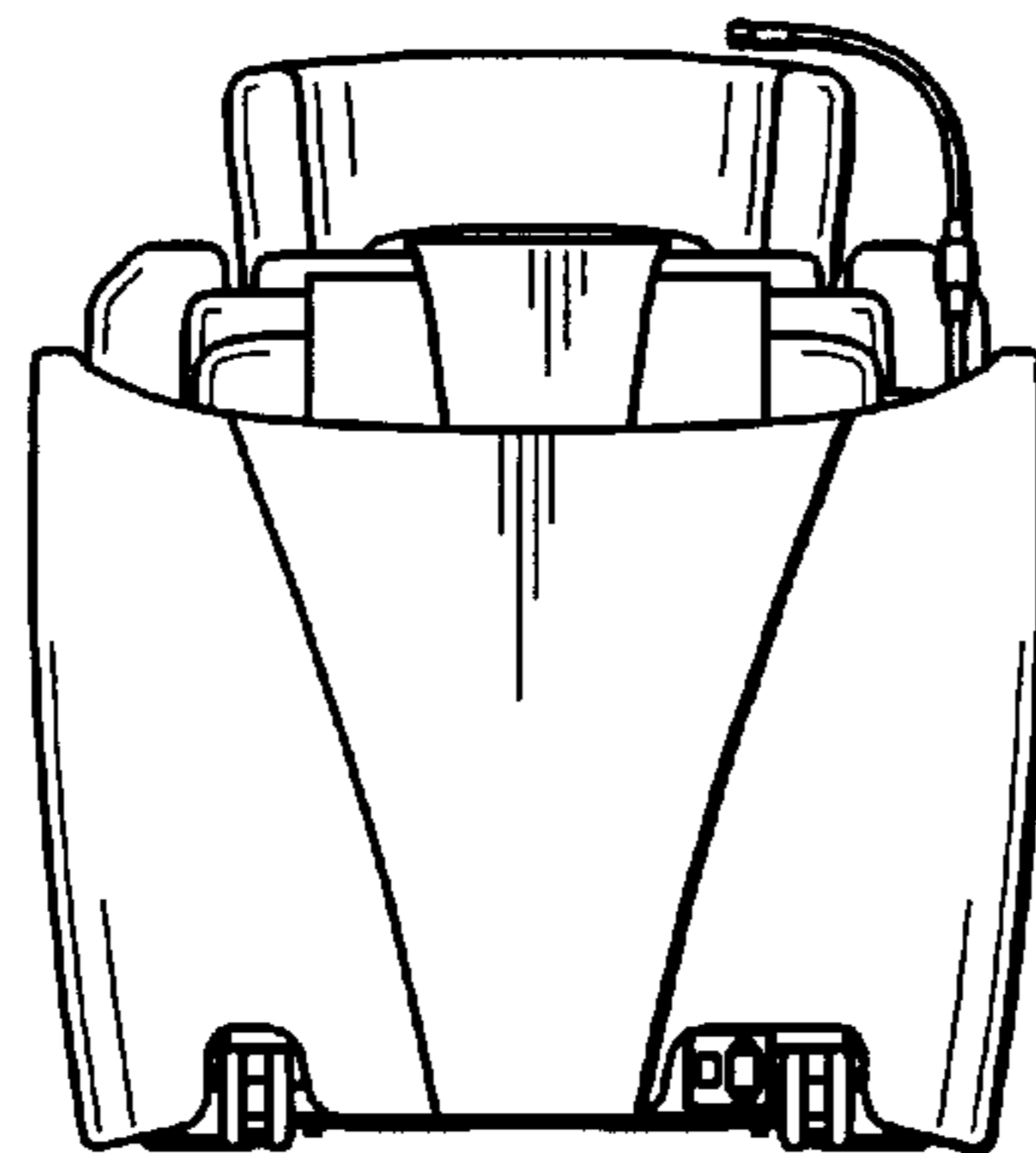


FIG. 11

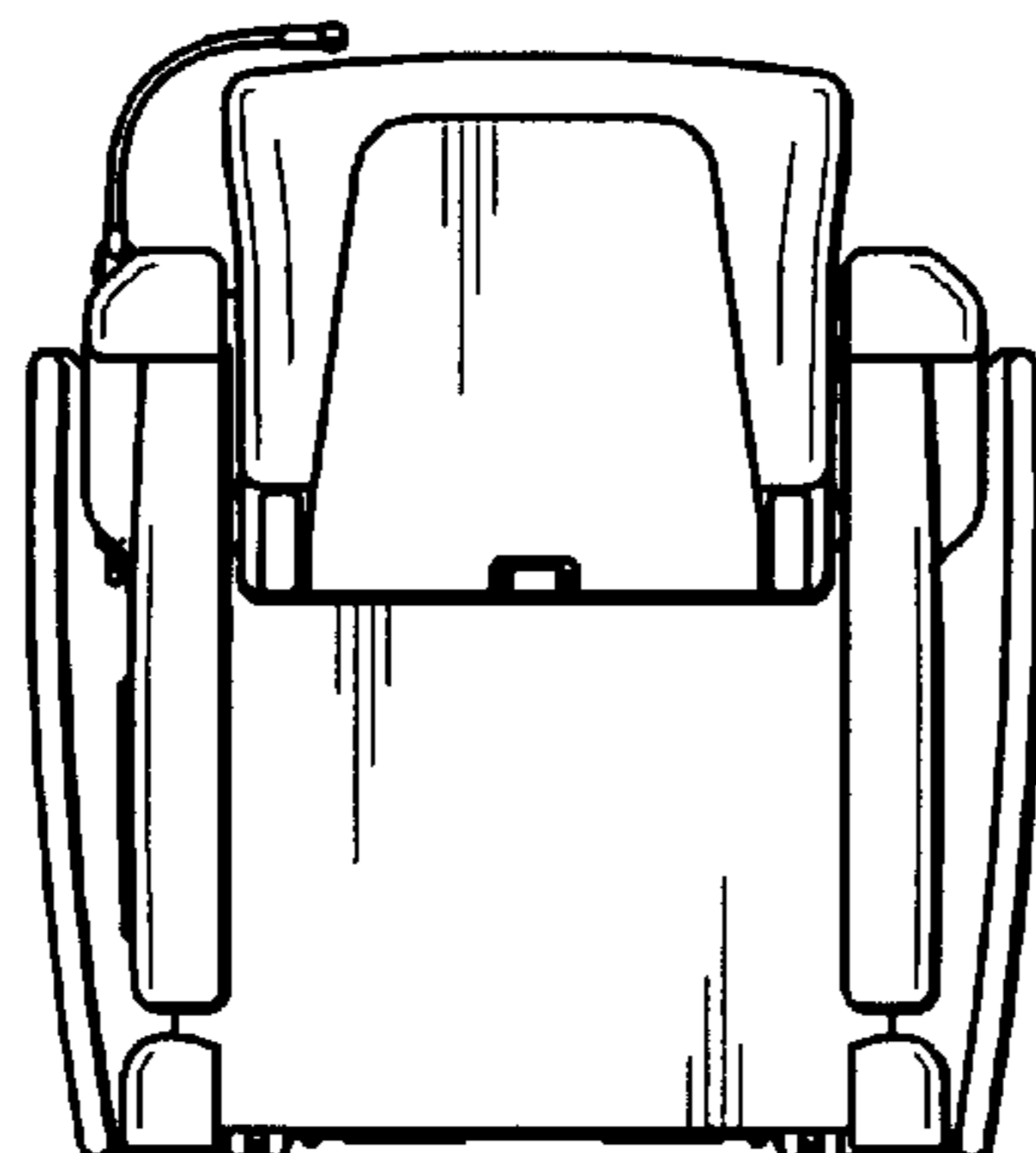


FIG. 12

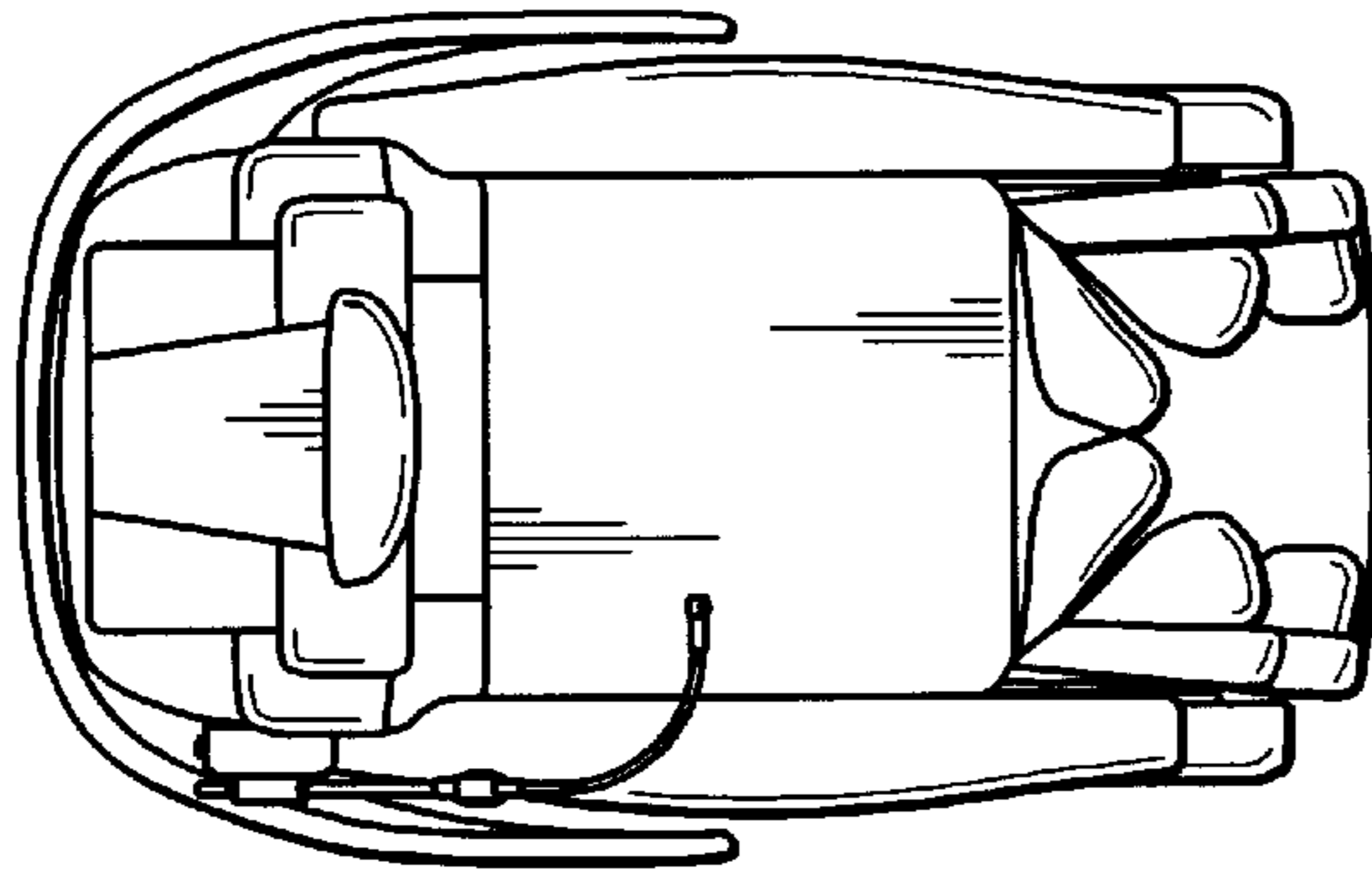


FIG. 13

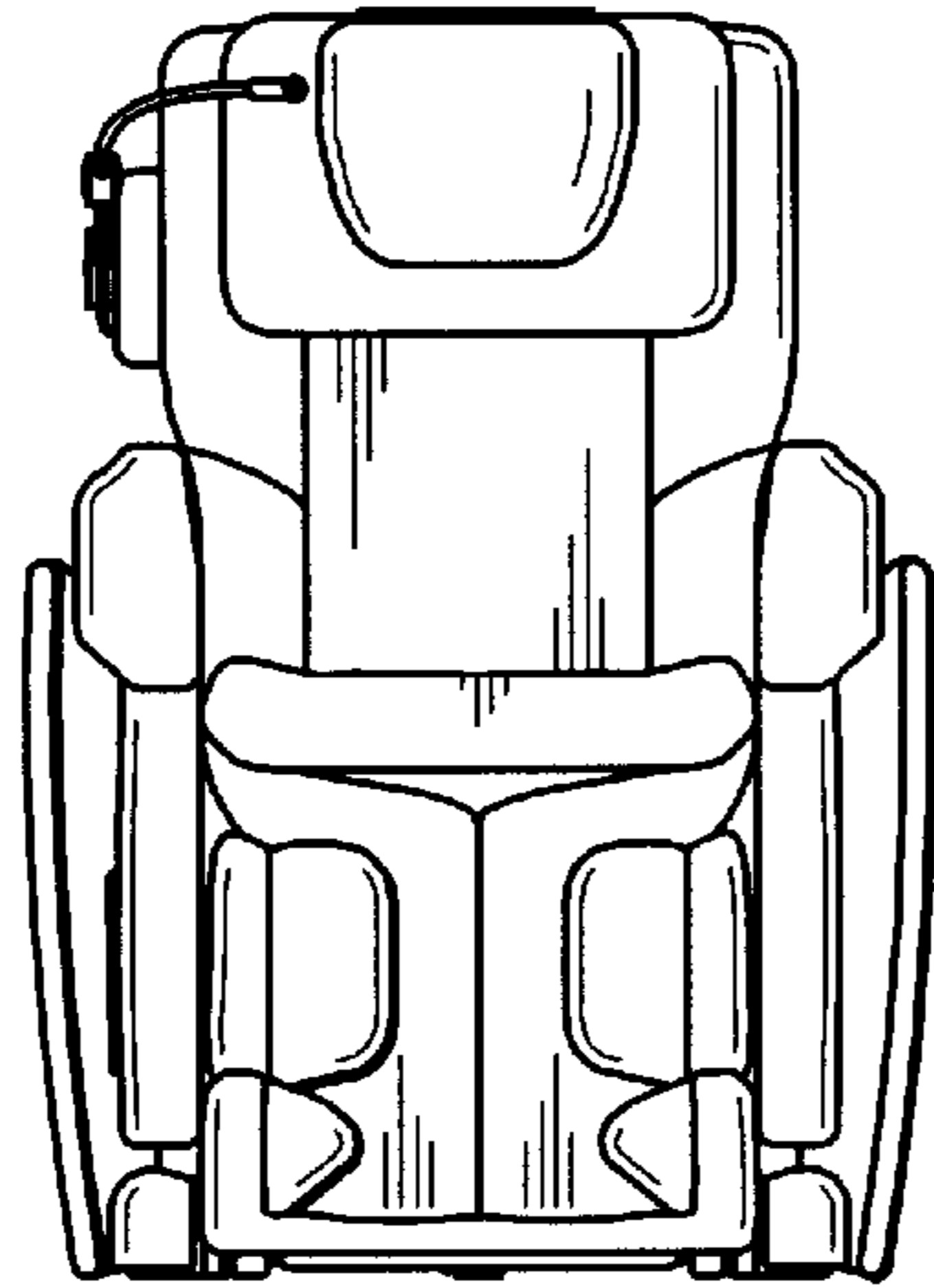


FIG. 14

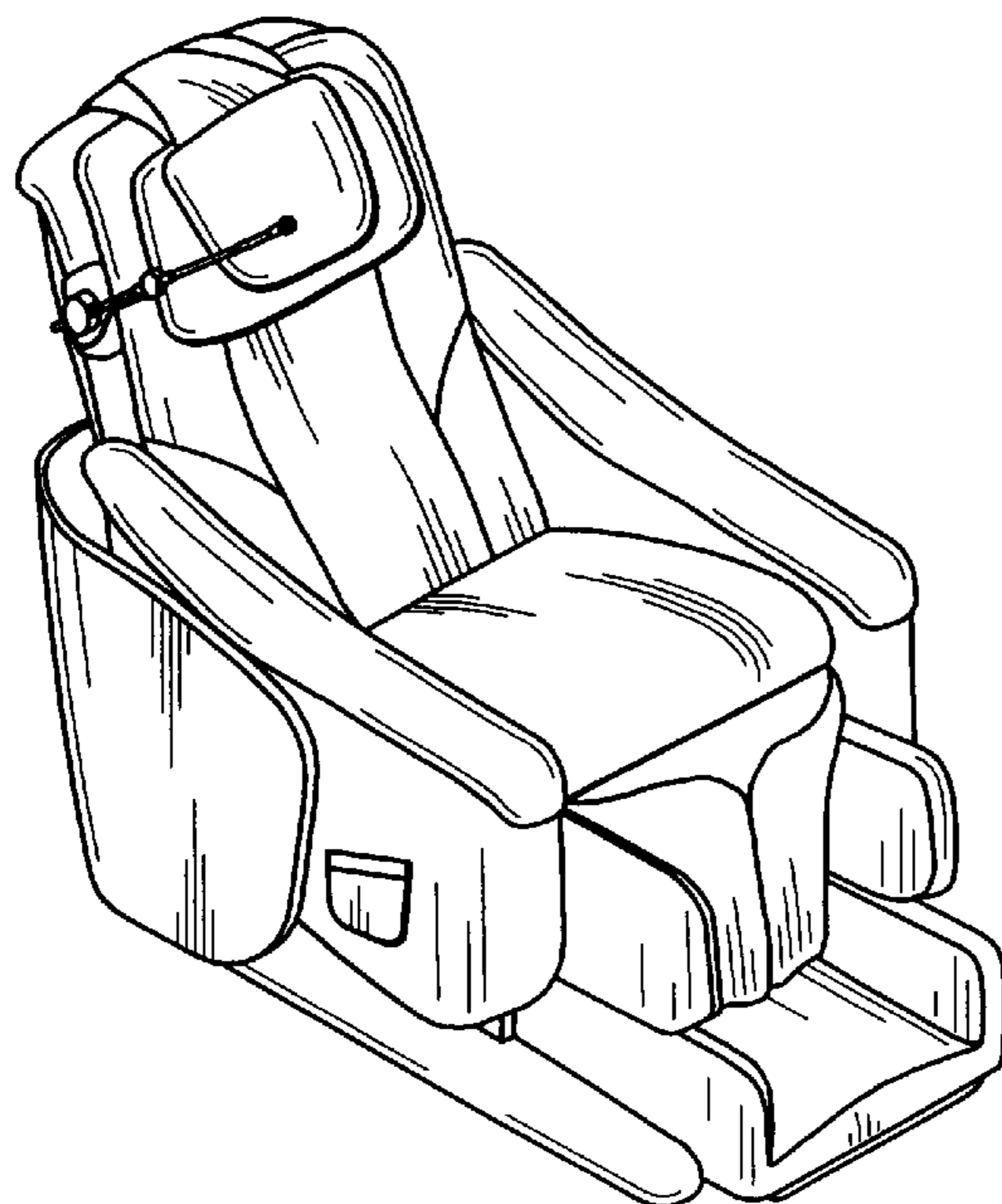


FIG. 15