



US00D536184S

(12) **United States Design Patent**
Skalka

(10) **Patent No.:** **US D536,184 S**
(45) **Date of Patent:** **** Feb. 6, 2007**

(54) **MODULAR COMPONENT FOR USE AS A TABLE TOP AND BENCH SEAT**

(75) Inventor: **Gerald P. Skalka**, Potomac, MD (US)

(73) Assignee: **Victor Stanley, Inc.**, Dunkirk, MD (US)

(**) Term: **14 Years**

(21) Appl. No.: **29/255,834**

(22) Filed: **Mar. 14, 2006**

Related U.S. Application Data

(62) Division of application No. 29/204,600, filed on May 3, 2004.

(51) **LOC (8) Cl.** **06-01**

(52) **U.S. Cl.** **D6/349**

(58) **Field of Classification Search** D6/332, D6/335-337, 340, 349, 355, 352-353, 369-370, D6/381, 495, 499-502; 5/12.1; 108/118, 108/119, 137; 297/16.1-16.2, 451.9, 452.11, 297/452.63, 217.1, 31, 175, 423.1, 423.16, 297/461, 232

See application file for complete search history.

(56) **References Cited**

U.S. PATENT DOCUMENTS

359,790 A * 3/1887 Knott 297/55

(Continued)

OTHER PUBLICATIONS

Product Nos. P2587, P3373, A6631, CR 8675, and CR8681, "Wabash Valley 2002 'Plastisol' Coated Furniture Catalog," pp. 47, 50, 64, and 93 (2000).

(Continued)

Primary Examiner—Sandra S. Snapp

(74) *Attorney, Agent, or Firm*—Jacobson Holman PLLC

(57) **CLAIM**

The ornamental design for a modular component for use as a table top and bench seat, as shown and described.

DESCRIPTION

FIG. 1 is a perspective view of a modular component for use as a table top and bench seat showing a first embodiment of my new design.

FIG. 2 is a front elevational view of the modular component of FIG. 1, the back elevational view being the mirror image thereof.

FIG. 3 is a right side elevational view of the modular component of FIG. 1, the left side elevational view being the mirror image thereof.

FIG. 4 is a top plan view of the modular component of FIG. 1.

FIG. 5 is a bottom plan view of the modular component of FIG. 1.

FIG. 6 is a perspective view of a modular component for use as a table top and bench seat showing a second embodiment of my new design.

FIG. 7 is a front elevational view of the modular component of FIG. 6, the back elevational view being the mirror image thereof.

FIG. 8 is a right side elevational view of the modular component of FIG. 6, the left side elevational view being the mirror image thereof.

FIG. 9 is a top plan view of the modular component of FIG. 6.

FIG. 10 is a bottom plan view of the modular component of FIG. 6.

FIG. 11 is a perspective view of a modular component for use as a table top and bench seat showing a third embodiment of my new design.

FIG. 12 is a front elevational view of the modular component of FIG. 11, the back elevational view being the mirror image thereof.

FIG. 13 is a right side elevational view of the modular component of FIG. 11, the left side elevational view being the mirror image thereof.

FIG. 14 is a top plan view of the modular component of FIG. 11; and,

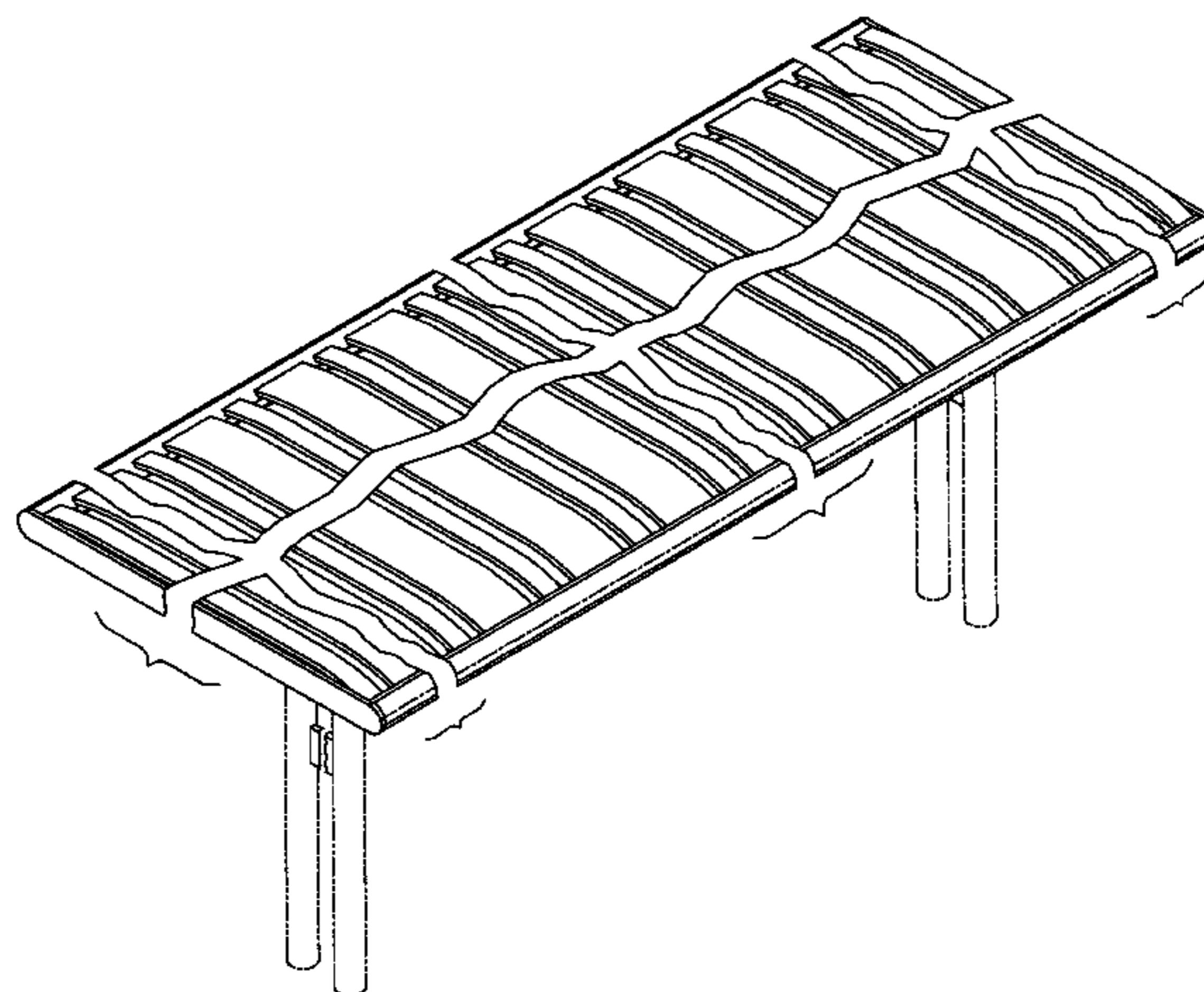
FIG. 15 is a bottom plan view of the modular component of FIG. 11.

The modular component of FIGS. 1-5 and 6-10 is shown in the views with portions broken-away to indicate indeterminate length and width.

The modular component of FIGS. 11-15 is shown in the views with portions broken-away to indicate indeterminate length.

The broken line showing of legs in FIGS. 1-5, 6-10, and 11-15 is environmental only and forms no part of the claimed design.

1 Claim, 6 Drawing Sheets



US D536,184 S

Page 2

U.S. PATENT DOCUMENTS

D216,115 S	11/1969	Suzuki	
D263,353 S	3/1982	Beals	
D314,677 S	2/1991	Hanna	
D336,796 S	6/1993	Chang	
D360,538 S	7/1995	Skalka	
D361,901 S	9/1995	Szekely	
D365,937 S	* 1/1996	Skalka D6/370
D366,773 S	* 2/1996	Yurk D6/369
D370,570 S	6/1996	Green et al.	
D372,133 S	7/1996	Slear	
D376,271 S	12/1996	Skalka	
D378,965 S	* 4/1997	Yurk D6/500
D380,313 S	7/1997	Slear	
D383,615 S	9/1997	Skalka	
D384,512 S	* 10/1997	Skalka D6/370
D386,012 S	* 11/1997	Skalka D6/370
D396,358 S	* 7/1998	Geier D6/349
D396,963 S	8/1998	Jeng	
D399,662 S	10/1998	Jeng	
D401,770 S	12/1998	Jeng	
D406,700 S	3/1999	Slear	
D408,660 S	4/1999	Donnelly	
D409,011 S	5/1999	Jeng	
D409,401 S	5/1999	Jeng	
D409,402 S	5/1999	Jeng	
D409,410 S	5/1999	Jeng	
D409,850 S	5/1999	Jeng	
D413,738 S	9/1999	Hornyak	
D419,341 S	1/2000	Chipman	
D446,399 S	8/2001	Slear	
D457,742 S	5/2002	Arnold	
D458,044 S	6/2002	Slear et al.	
D466,318 S	12/2002	Arnold	
D467,101 S	12/2002	Hughes	
D468,126 S	1/2003	Pappas	
D468,550 S	1/2003	Pappas	
D473,063 S	4/2003	Pappas	
D473,391 S	4/2003	Haney et al.	
D482,885 S	* 12/2003	Chipman D6/370
D486,004 S	2/2004	Haney et al.	
D486,664 S	2/2004	Pappas	
D488,934 S	4/2004	Milinov	
D498,079 S	11/2004	Messier	

OTHER PUBLICATIONS

Product Models CR-14, CR-16, CR-138, CR-140, CR-144, and CR-296, Victor Stanely, Inc., www.victorstanley.com/products, Jul. 29, 2004.

* cited by examiner

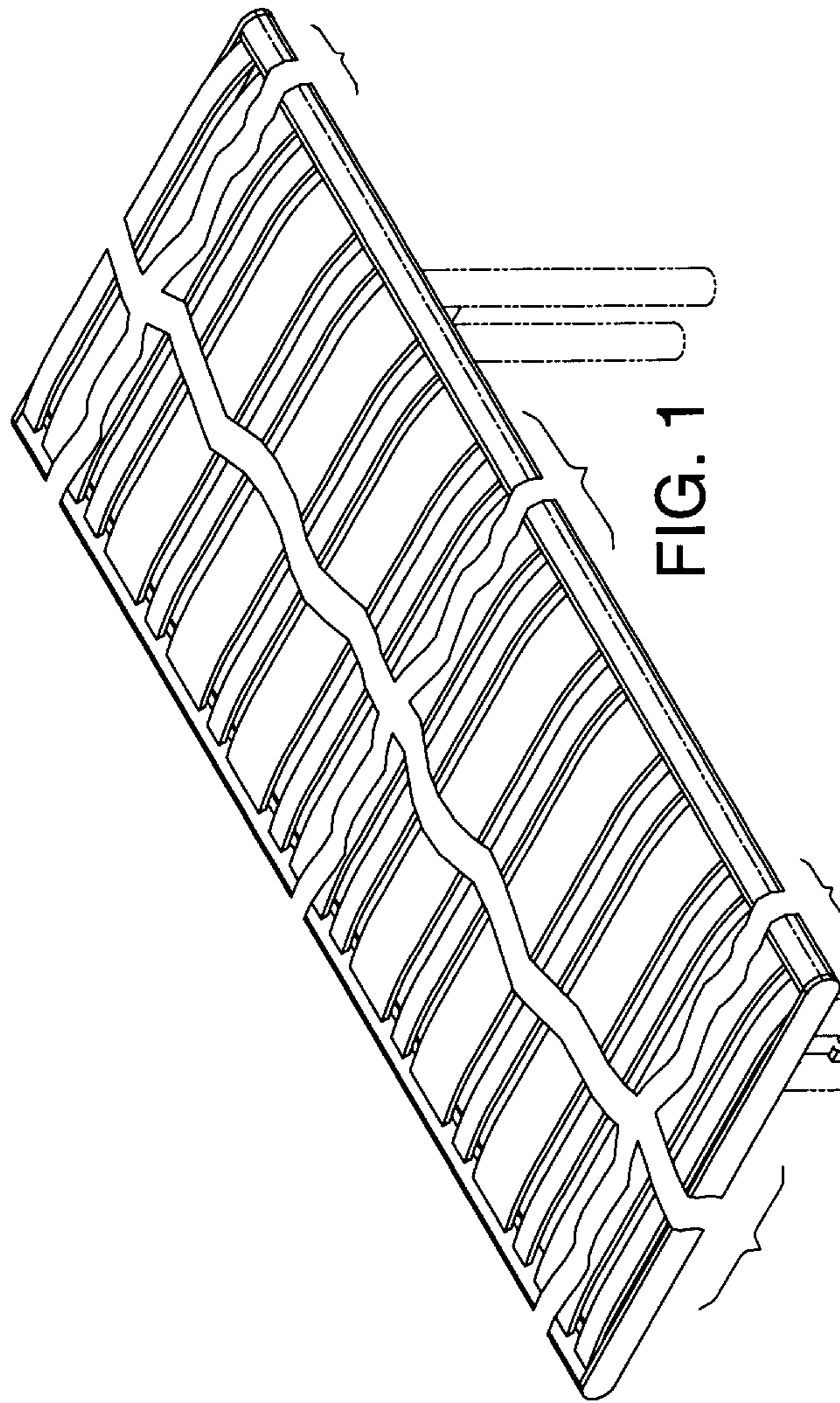


FIG. 1

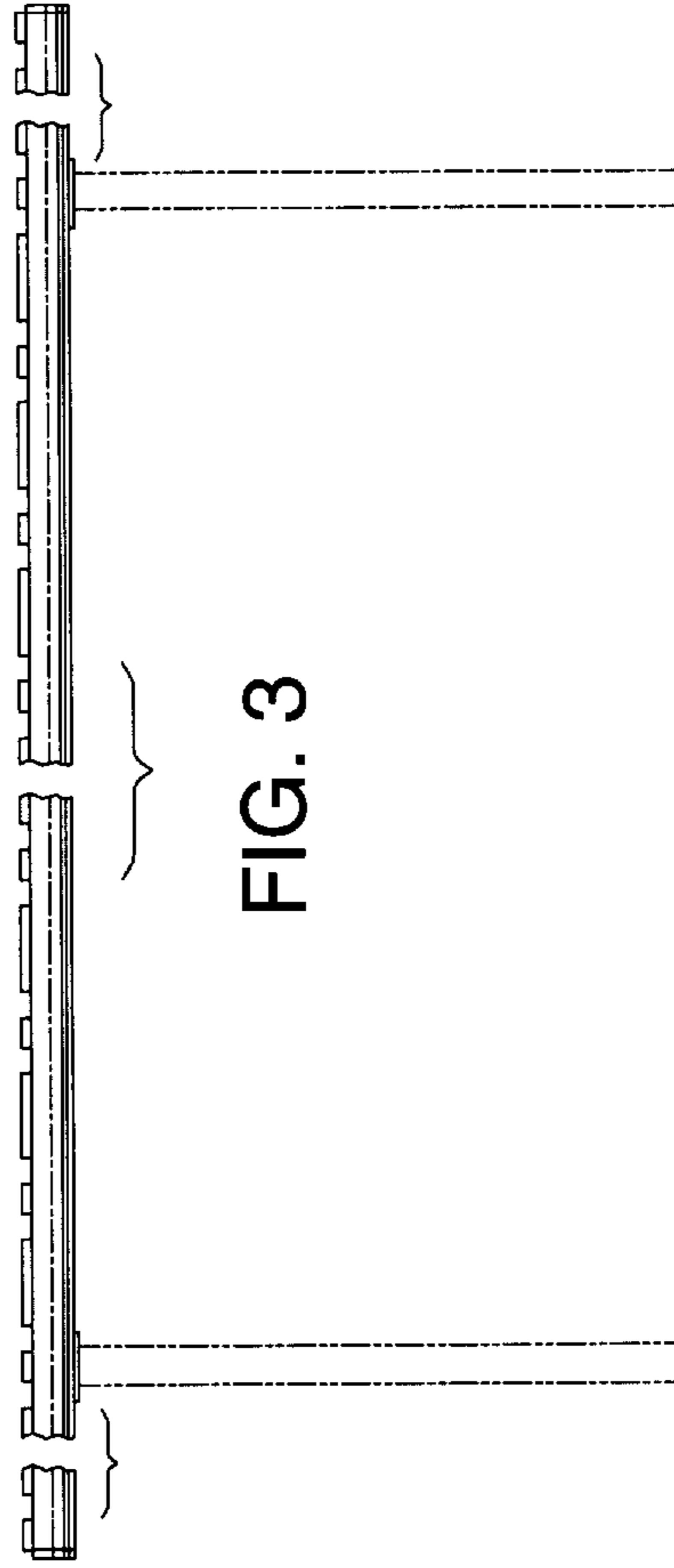


FIG. 3

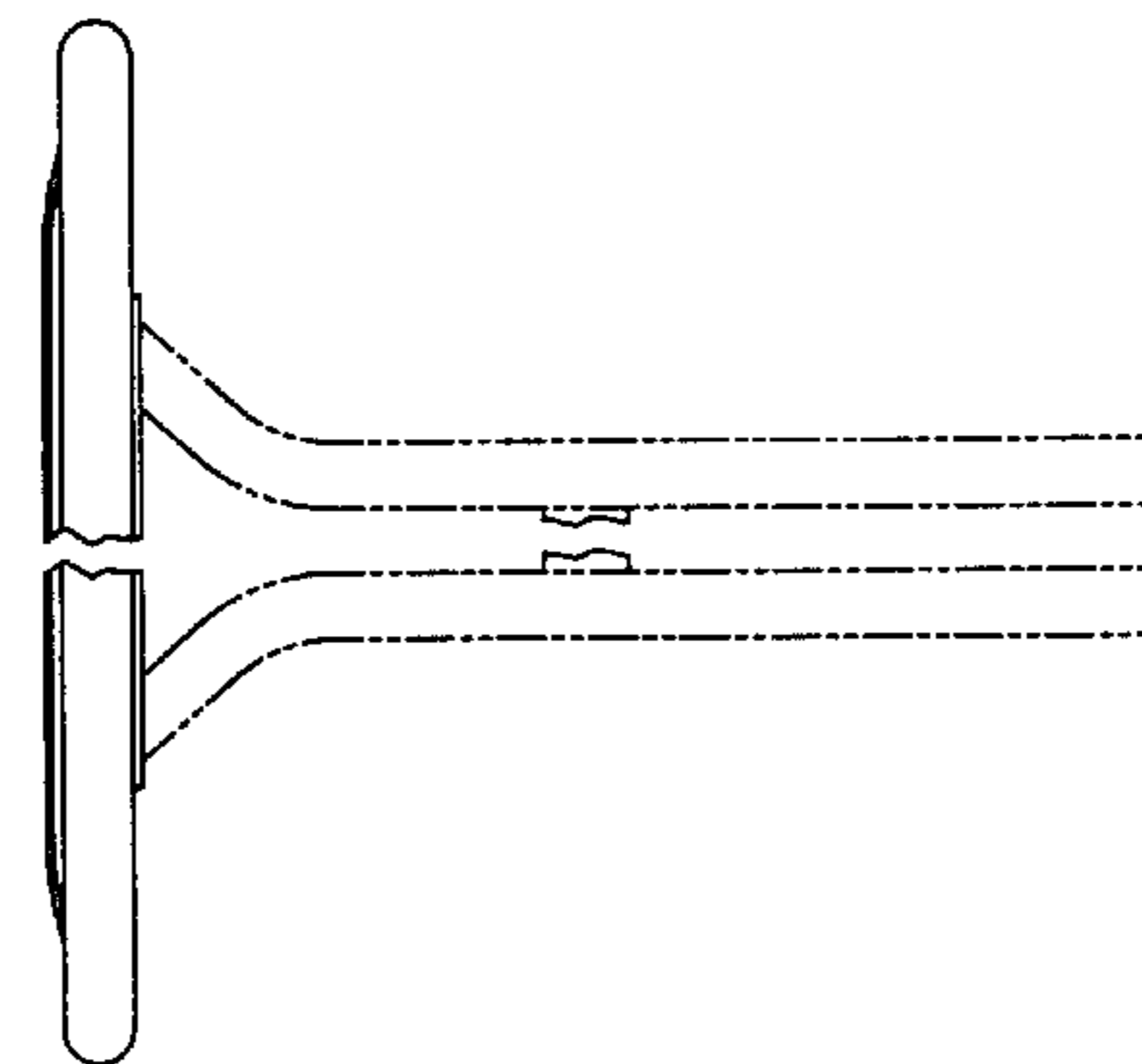


FIG. 2

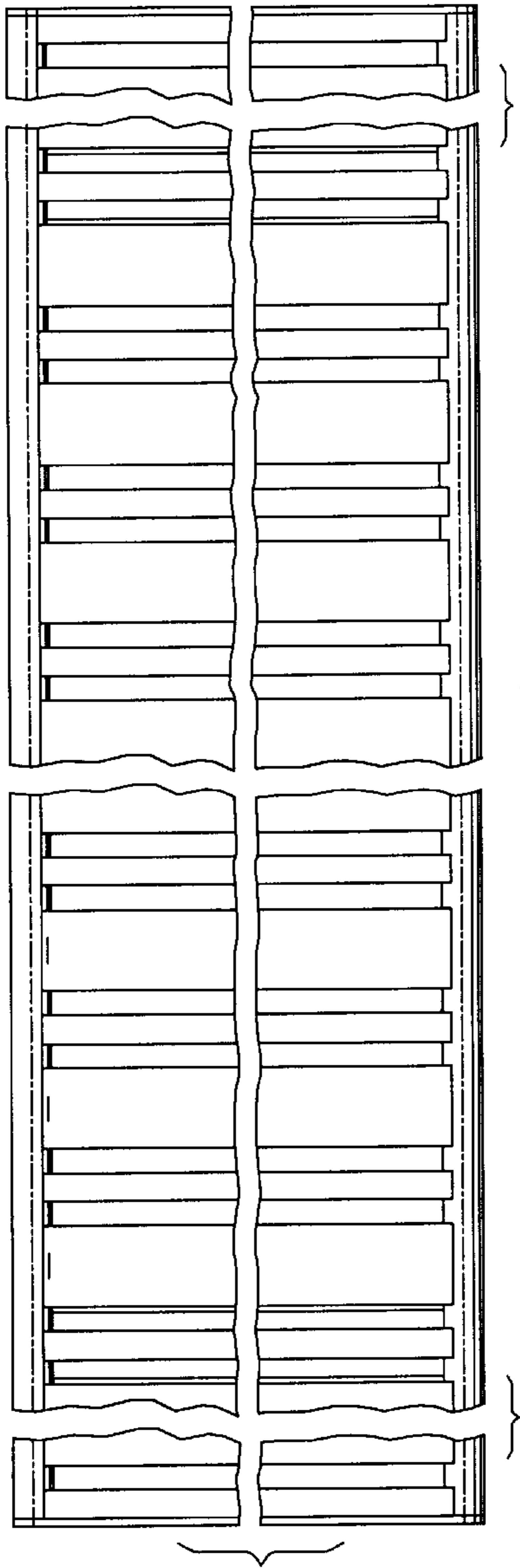


FIG. 4

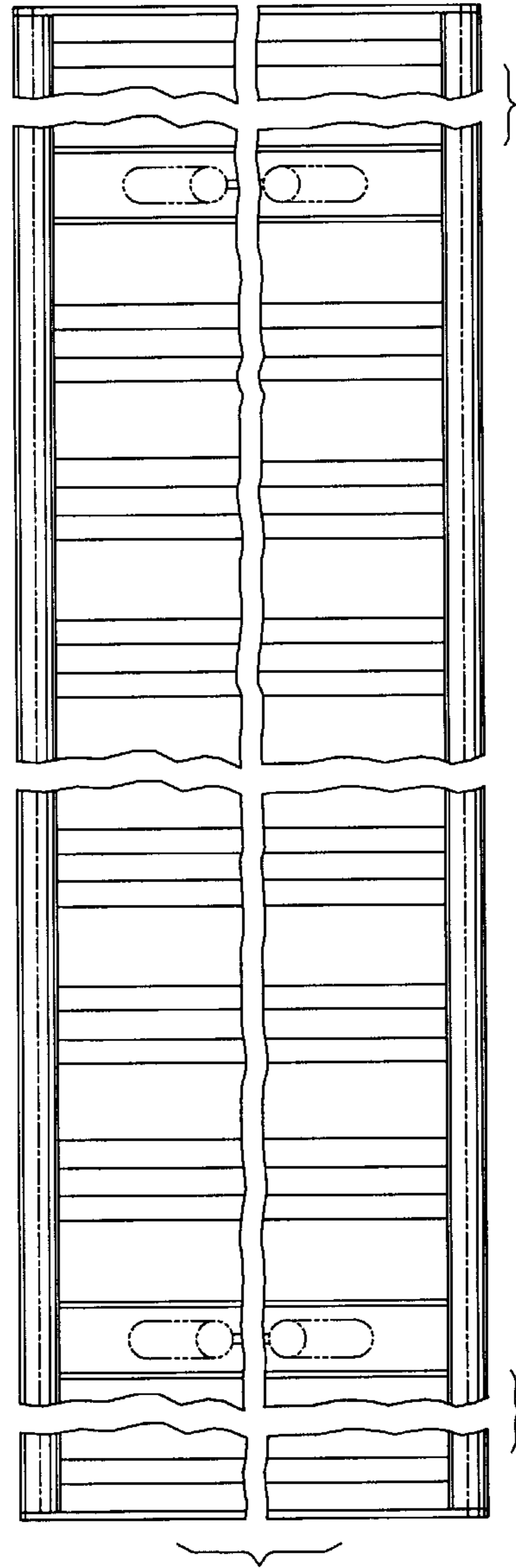


FIG. 5

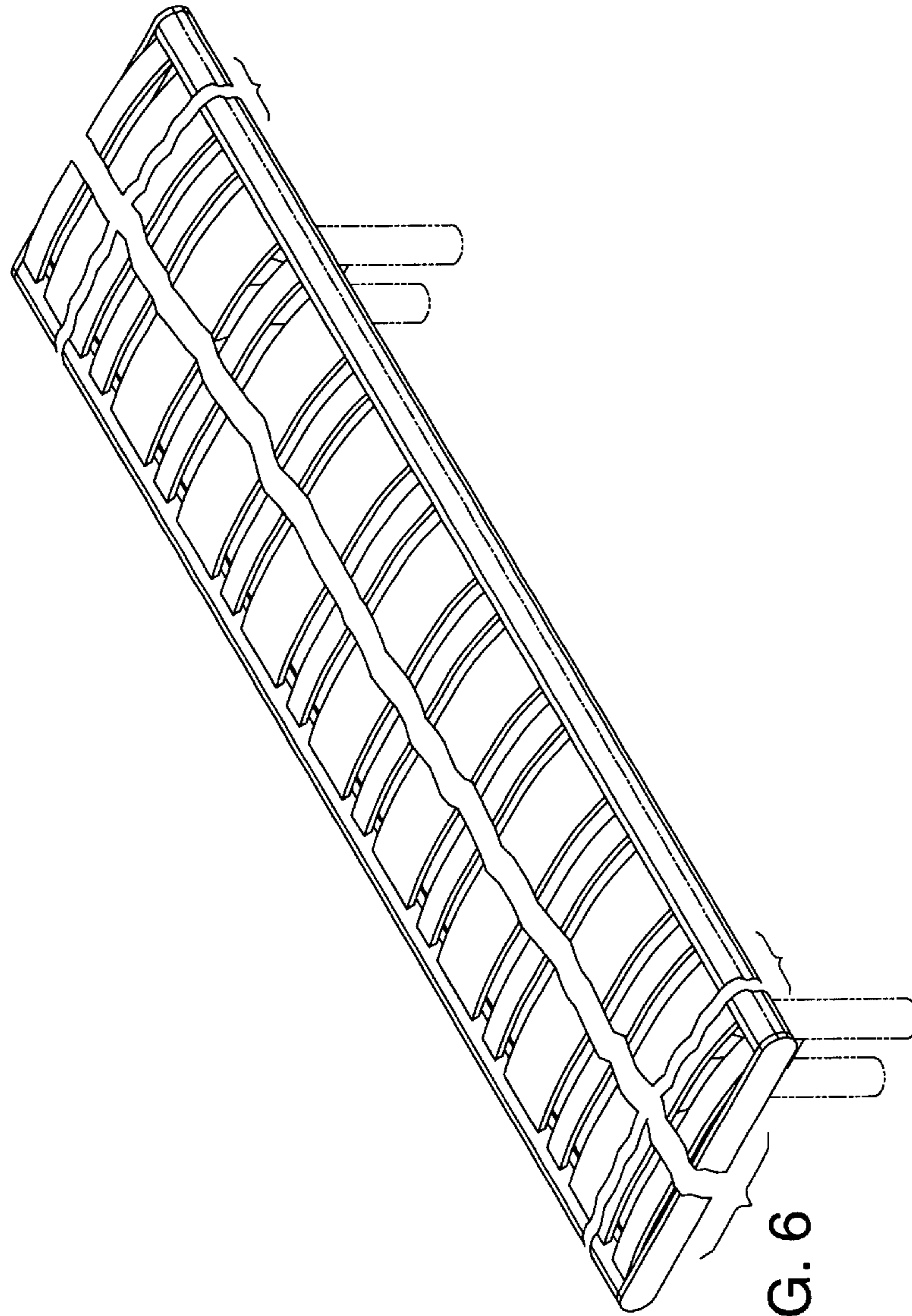


FIG. 6

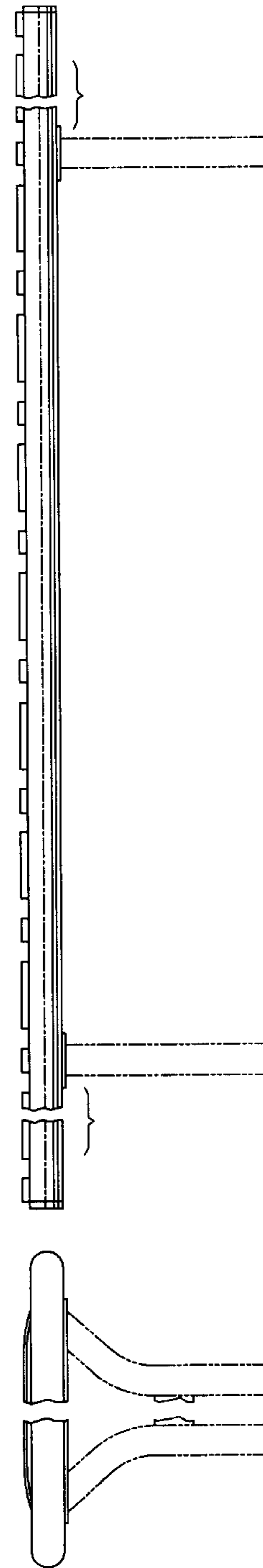


FIG. 8

FIG. 7

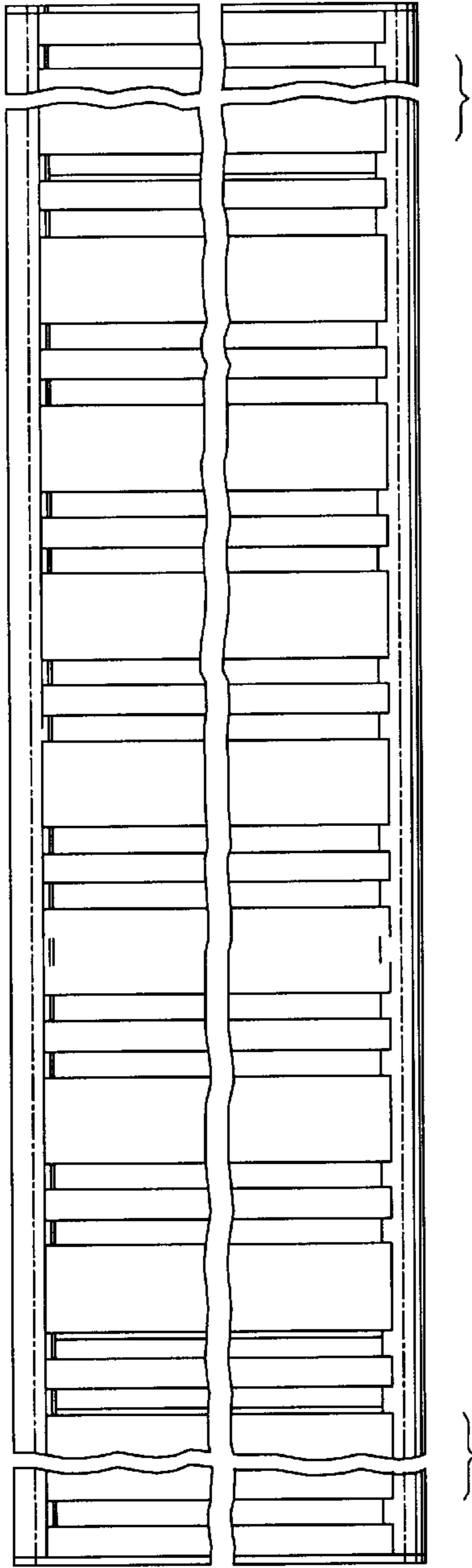


FIG. 9

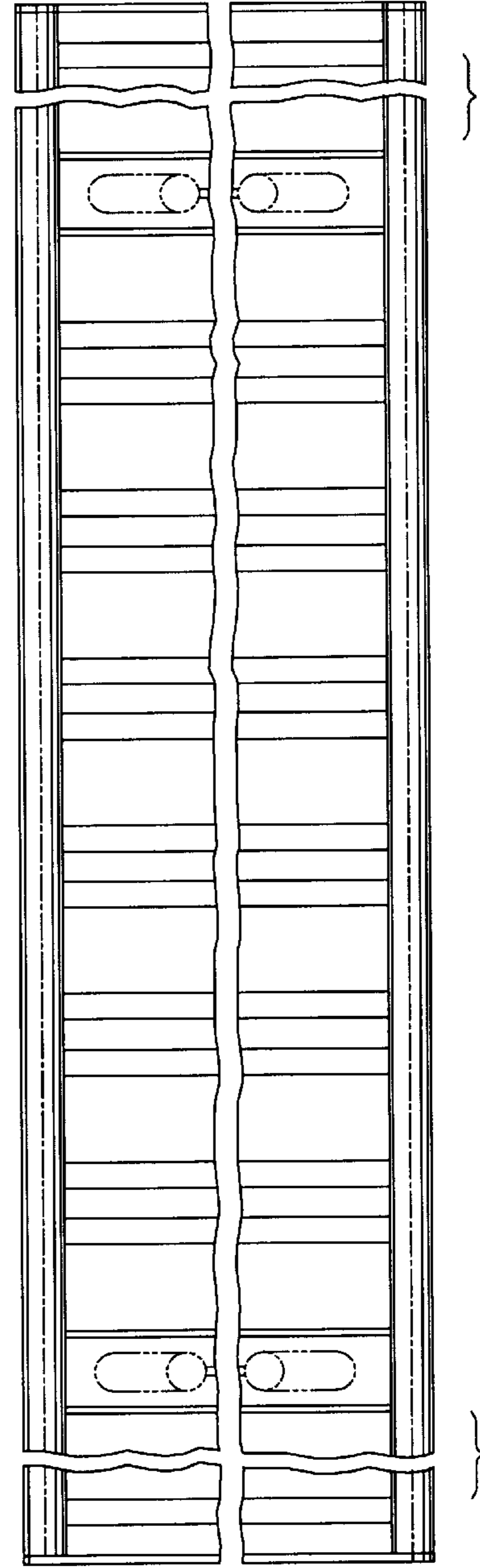


FIG. 10

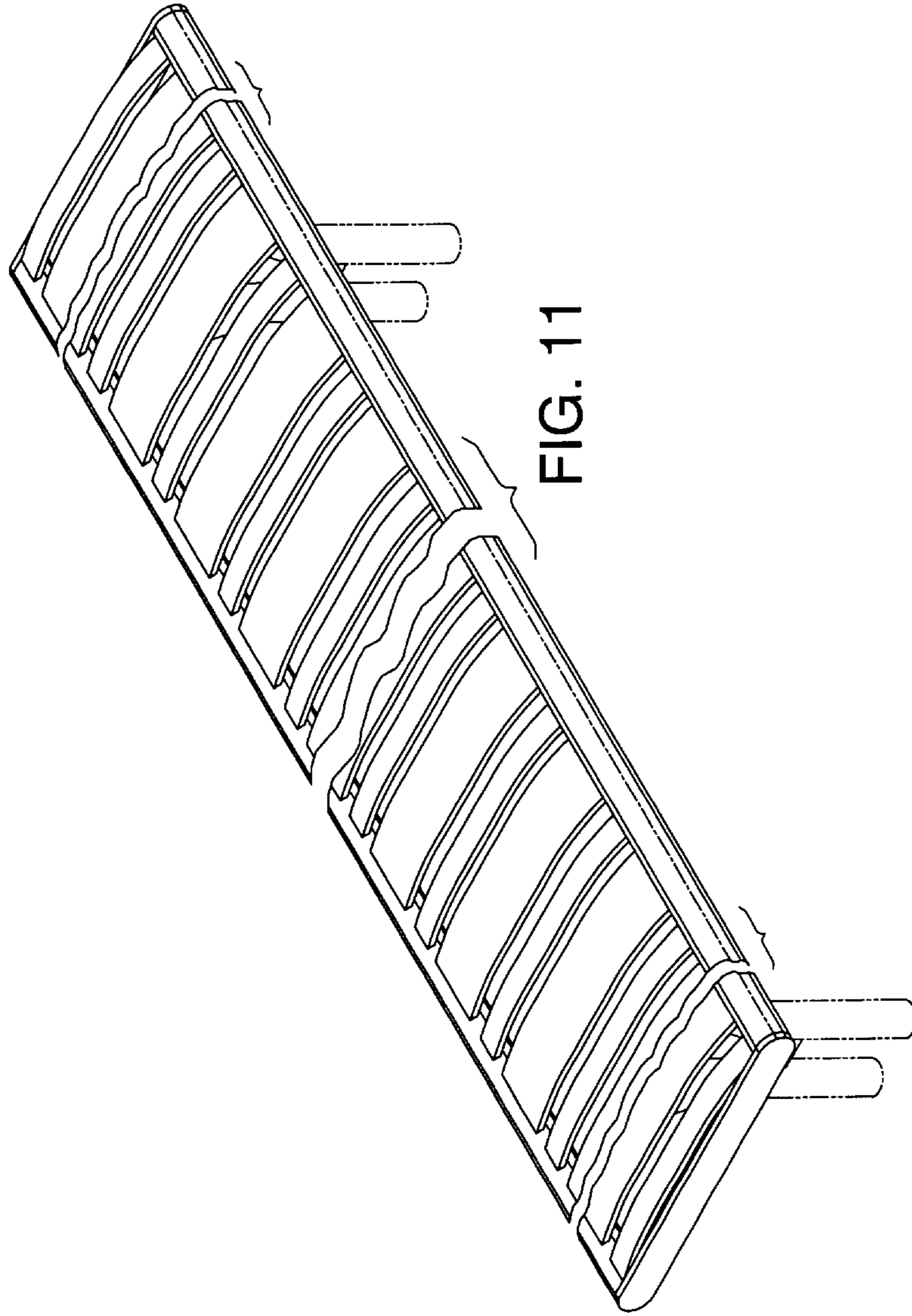


FIG. 11

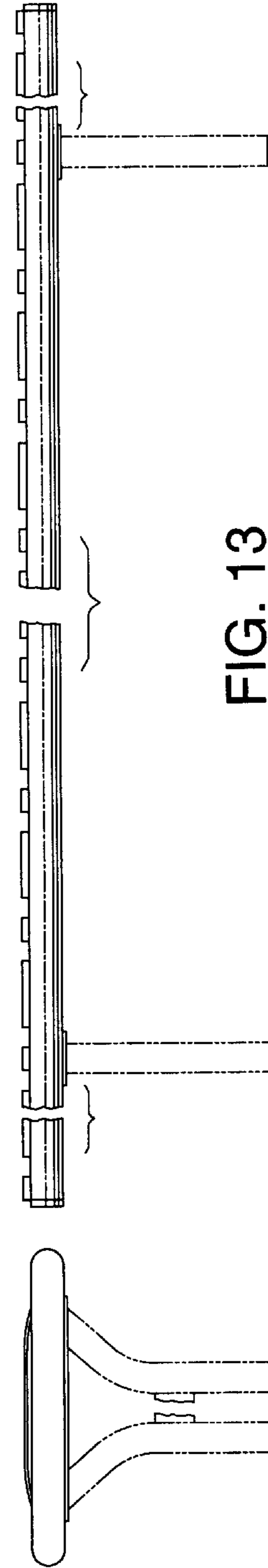


FIG. 13

FIG. 12

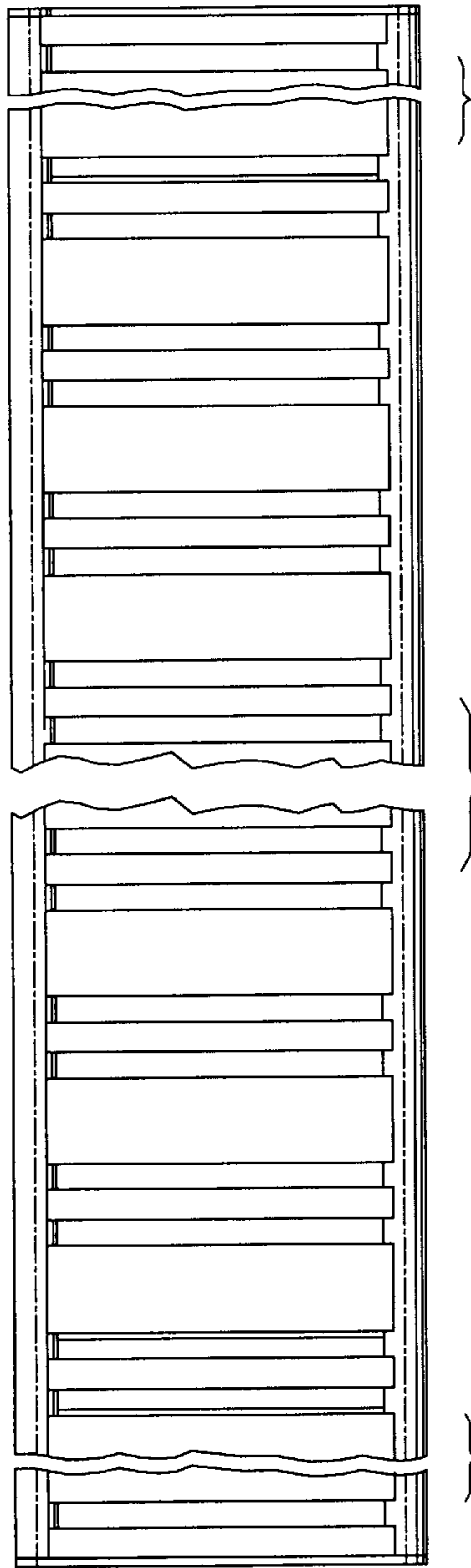


FIG. 14

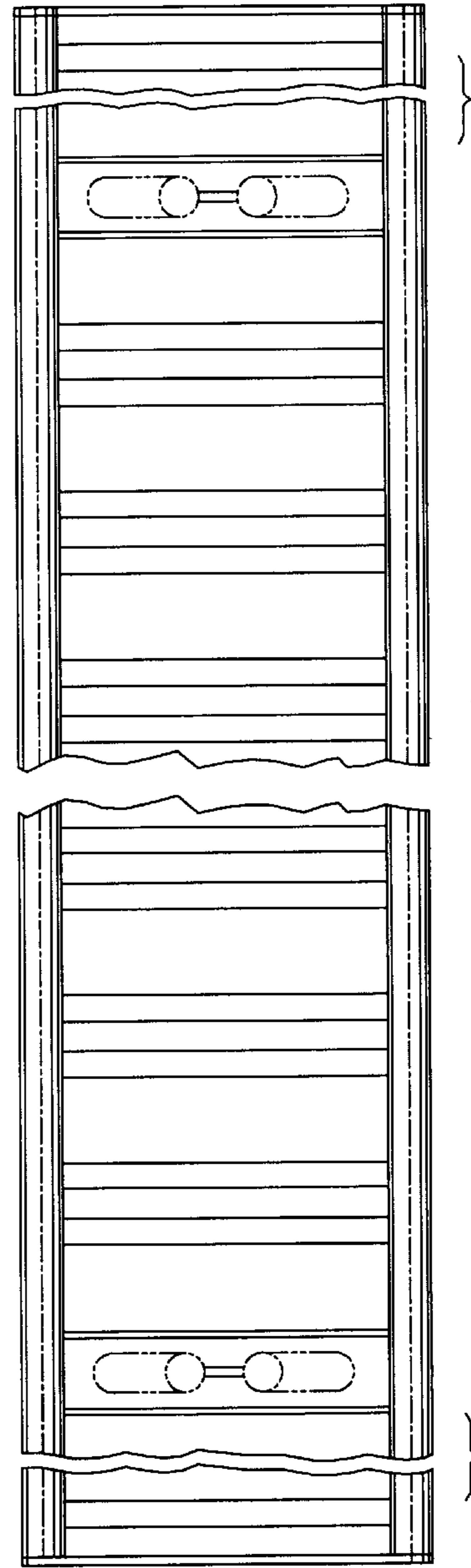


FIG. 15