



US00D536182S

(12) **United States Design Patent** (10) **Patent No.:** **US D536,182 S**
Fischer (45) **Date of Patent:** **** Feb. 6, 2007**

- (54) **CLOTHING HANGER ADAPTER**
- (76) Inventor: **James R. Fischer**, 1717 Twin Oaks La., Sheboygan, WI (US) 53083
- (**) Term: **14 Years**
- (21) Appl. No.: **29/258,198**
- (22) Filed: **Apr. 18, 2006**

Related U.S. Application Data

- (63) Continuation-in-part of application No. 29/231,103, filed on Jun. 1, 2005, now Pat. No. Des. 524,558, which is a continuation-in-part of application No. 29/165,504, filed on Aug. 12, 2002, now Pat. No. Des. 515,828.
- (51) **LOC (8) Cl.** **06-08**
- (52) **U.S. Cl.** **D6/328**
- (58) **Field of Classification Search** D6/315, D6/317, 318, 319, 326, 328; 211/4, 123, 211/124, 162, 175, 181.1, 13.1, 85.3; 223/42, 223/85-98, DIG. 1-4; D25/1, 102, 119-122, D25/124, 133, 154, 199; 52/731.7, 732.1
See application file for complete search history.

References Cited

U.S. PATENT DOCUMENTS

D47,724 S *	8/1915	Heulings	D25/121
1,979,646 A	11/1934	Schneider	223/88
2,023,443 A	12/1935	Rogers	223/88
2,037,325 A	4/1936	Hoehn	223/88
2,089,077 A *	8/1937	Todd et al.	223/88
2,106,947 A	2/1938	Hamilton et al.	223/88
D110,620 S *	7/1938	Lowry	D25/121
2,187,535 A	1/1940	Karnig	223/98
2,221,848 A	11/1940	Ruen	223/88
2,228,918 A	9/1941	Wesselmann	223/86
2,510,043 A	5/1950	Tillery	223/88
2,524,978 A	10/1950	Humphreys	223/88
2,591,163 A	4/1952	Kivett	223/92
2,641,391 A	6/1953	Tillery	223/88
D172,223 S *	5/1954	Cowdroy	D25/121
2,710,124 A	6/1955	Laumeyer	223/88
2,866,583 A	12/1958	Batts	223/88
3,029,914 A *	4/1962	Macomber	52/31.7
3,301,446 A *	1/1967	Braswell	223/98

3,512,228 A	5/1970	Carvell	206/409
3,950,829 A	4/1976	Cohen	211/124
3,963,155 A	6/1976	Bish	223/88
D251,138 S *	2/1979	Dillon	D25/122
D269,910 S *	7/1983	Johansson	D25/124
4,454,969 A	6/1984	Huth	223/96
4,632,287 A	12/1986	Bevelander	223/98
D300,063 S *	2/1989	Sheltra	D25/120
6,126,049 A	10/2000	Gish	223/96
6,138,880 A	10/2000	Williams	223/98
6,213,359 B1	4/2001	Gish	223/98
D488,309 S	4/2004	Atwood	D6/328
D505,020 S	5/2005	Fischer	D6/328
2003/0136806 A1	7/2003	Mainetti	223/85

* cited by examiner

Primary Examiner—Stella Reid

Assistant Examiner—Shanda C. Hill

(74) *Attorney, Agent, or Firm*—Jeffrey S. Sokol; Cook & Franke S.C.

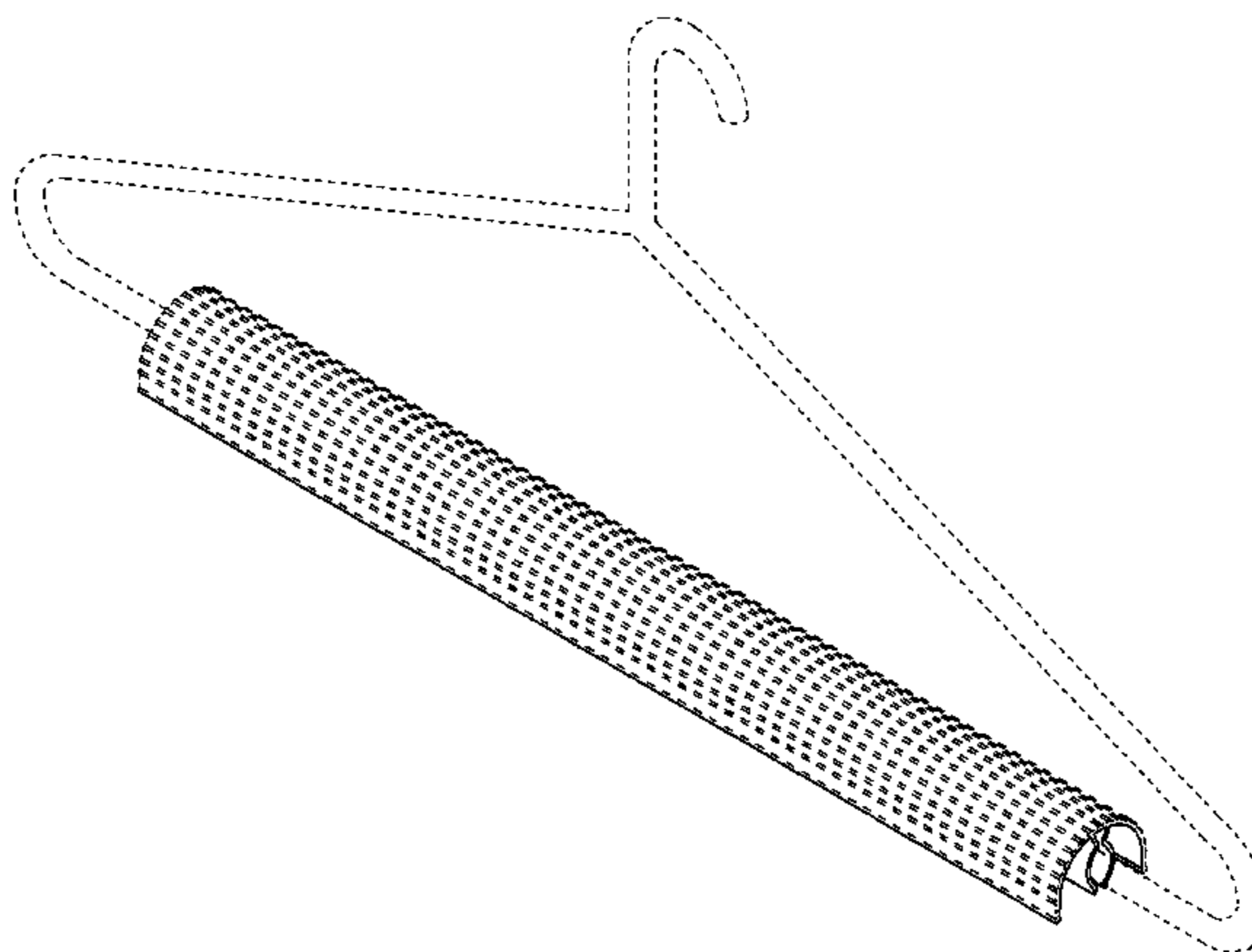
(57) **CLAIM**

The ornamental design for a clothing hanger, as shown and described.

DESCRIPTION

FIG. 1 is a reduced perspective view of a clothing hanger adapter showing my new design;
 FIG. 2 is a reduced perspective view of FIG. 1, shown in alternate environment;
 FIG. 3 is a top plan view of the clothing hanger adapter;
 FIG. 4 is a front elevational view thereof, the opposite view being a mirror image;
 FIG. 5 is an end elevational view thereof, the opposite view being a mirror image;
 FIG. 6 is an end elevational view of FIG. 5, shown in an alternate environment, the opposite view being a mirror image;
 FIG. 7 is an end elevational view of FIG. 5, shown in another alternate position and alternate environment, the opposite view being a mirror image; and,
 FIG. 8 is a bottom plan view thereof.
 The broken lines shown in the drawing disclosure are for illustrative purposes only and form no portion of the claimed design.

1 Claim, 4 Drawing Sheets



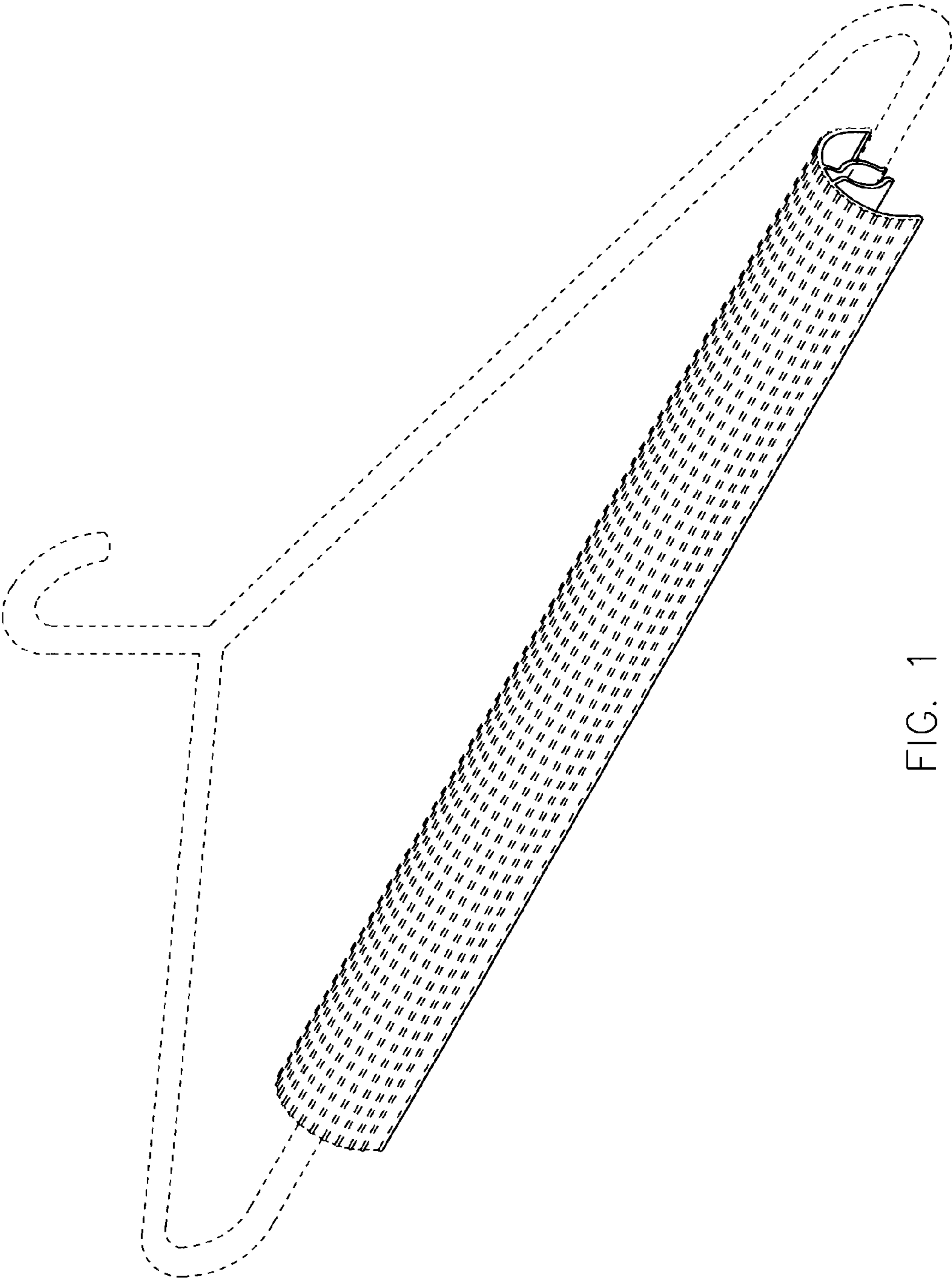


FIG. 1

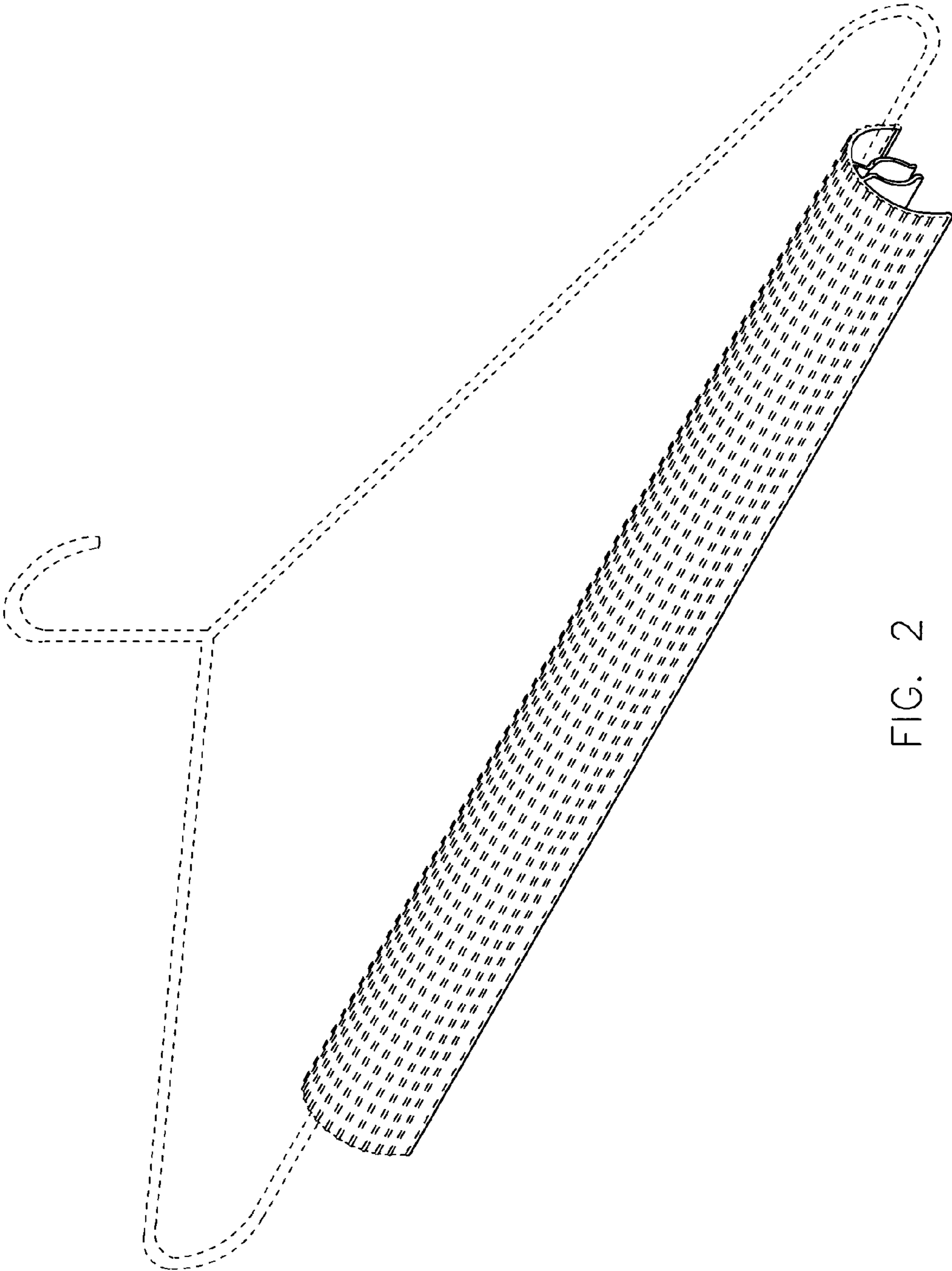


FIG. 2

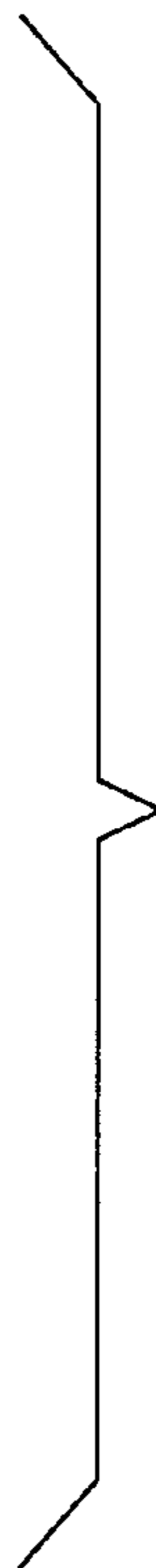
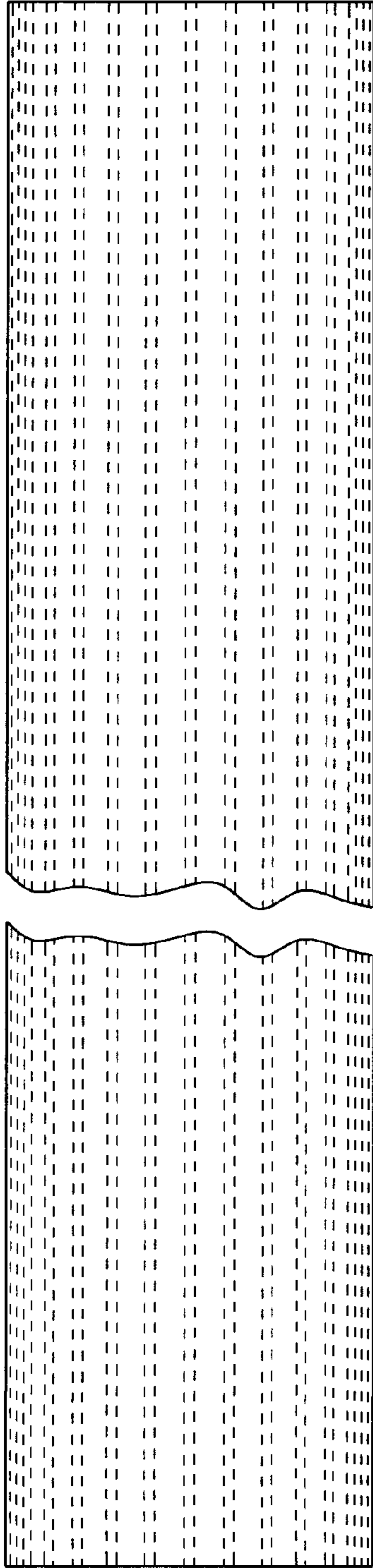


FIG. 3

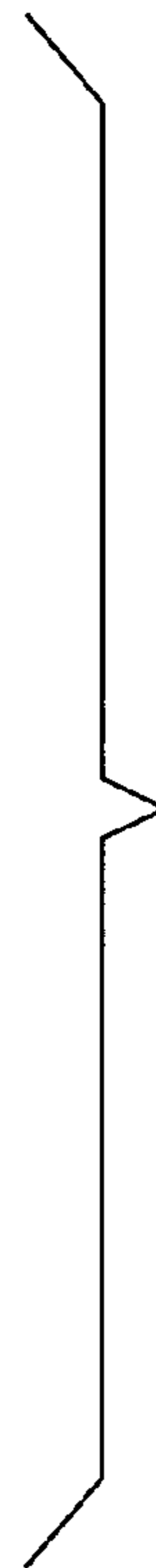
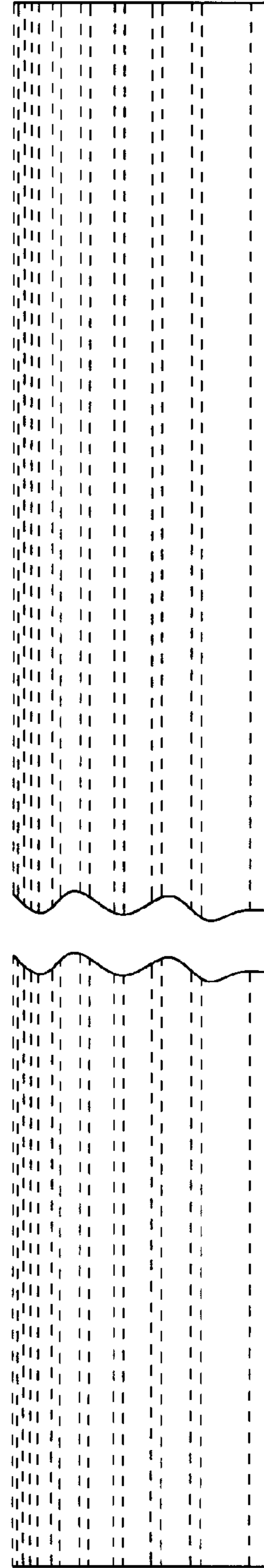


FIG. 4

FIG. 5

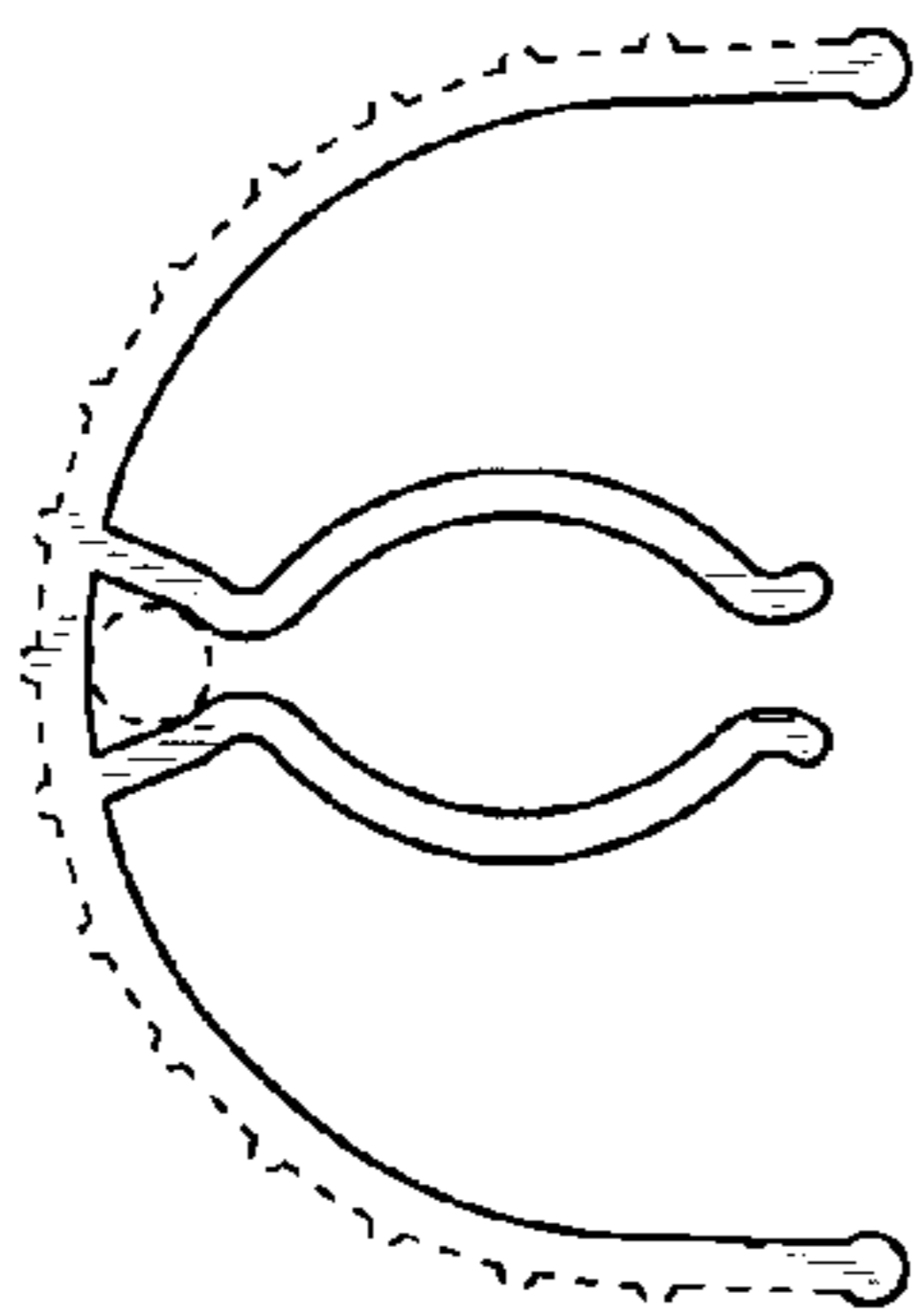


FIG. 6

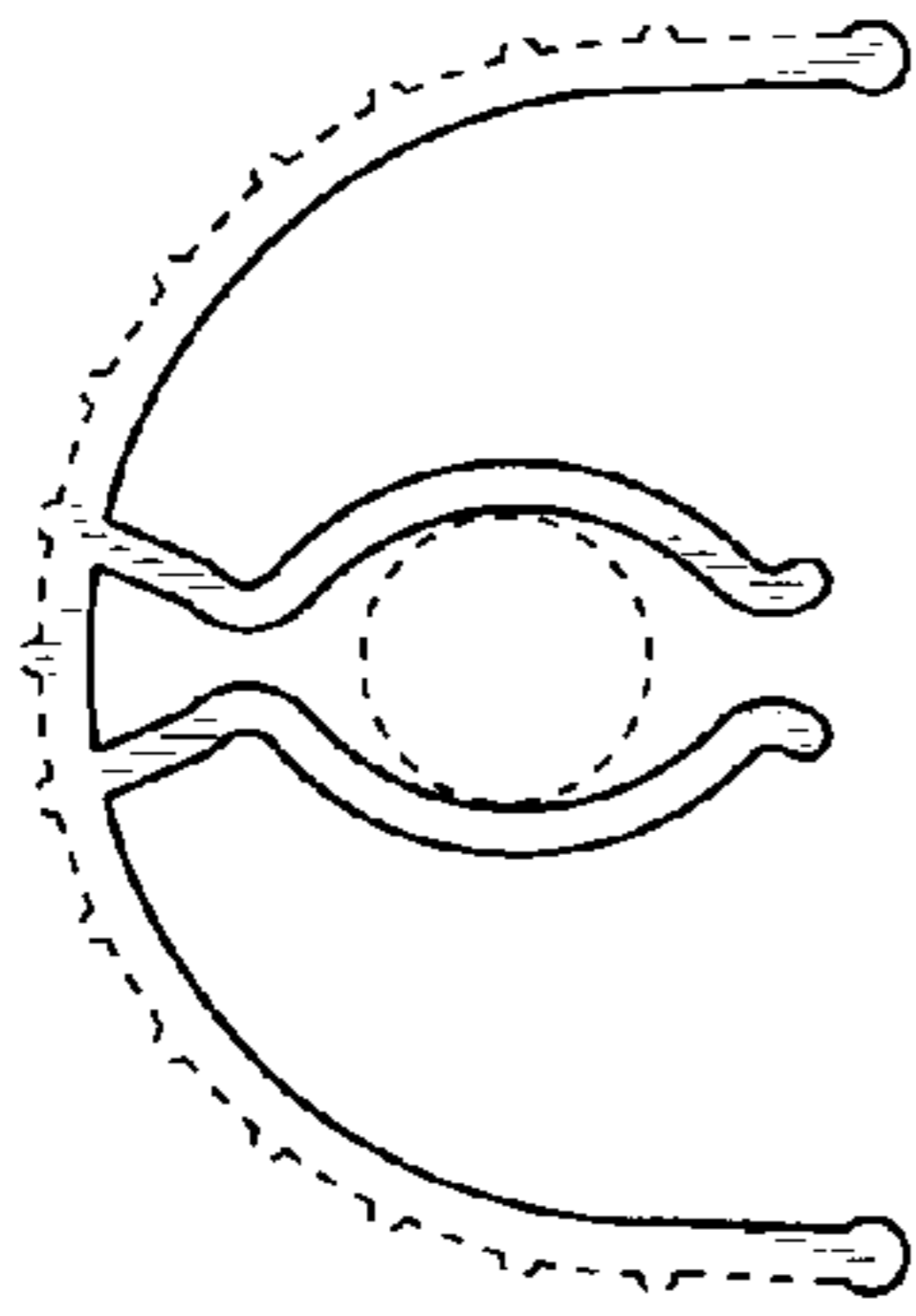


FIG. 7

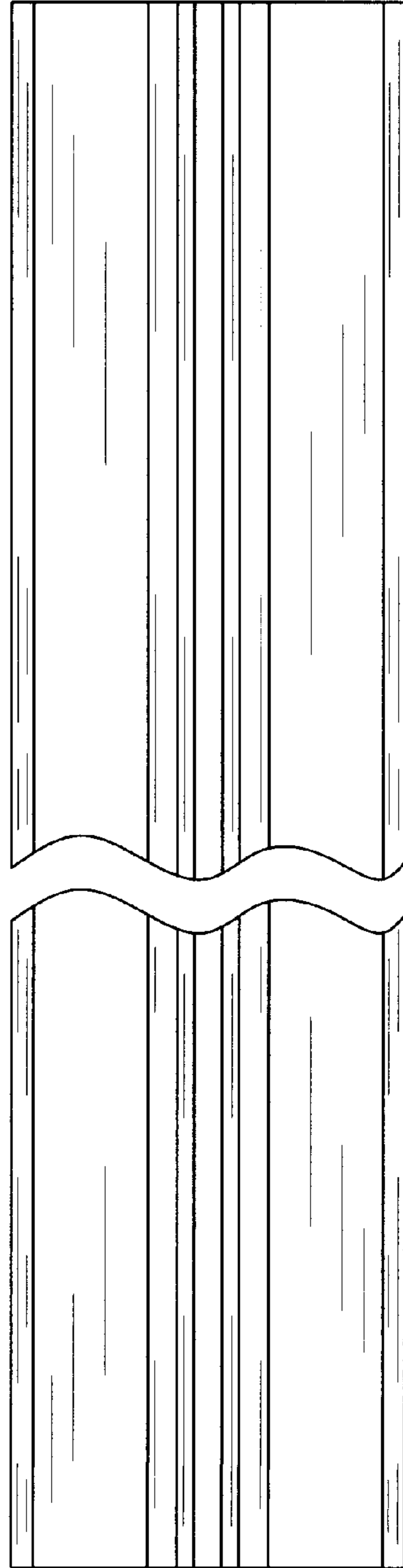
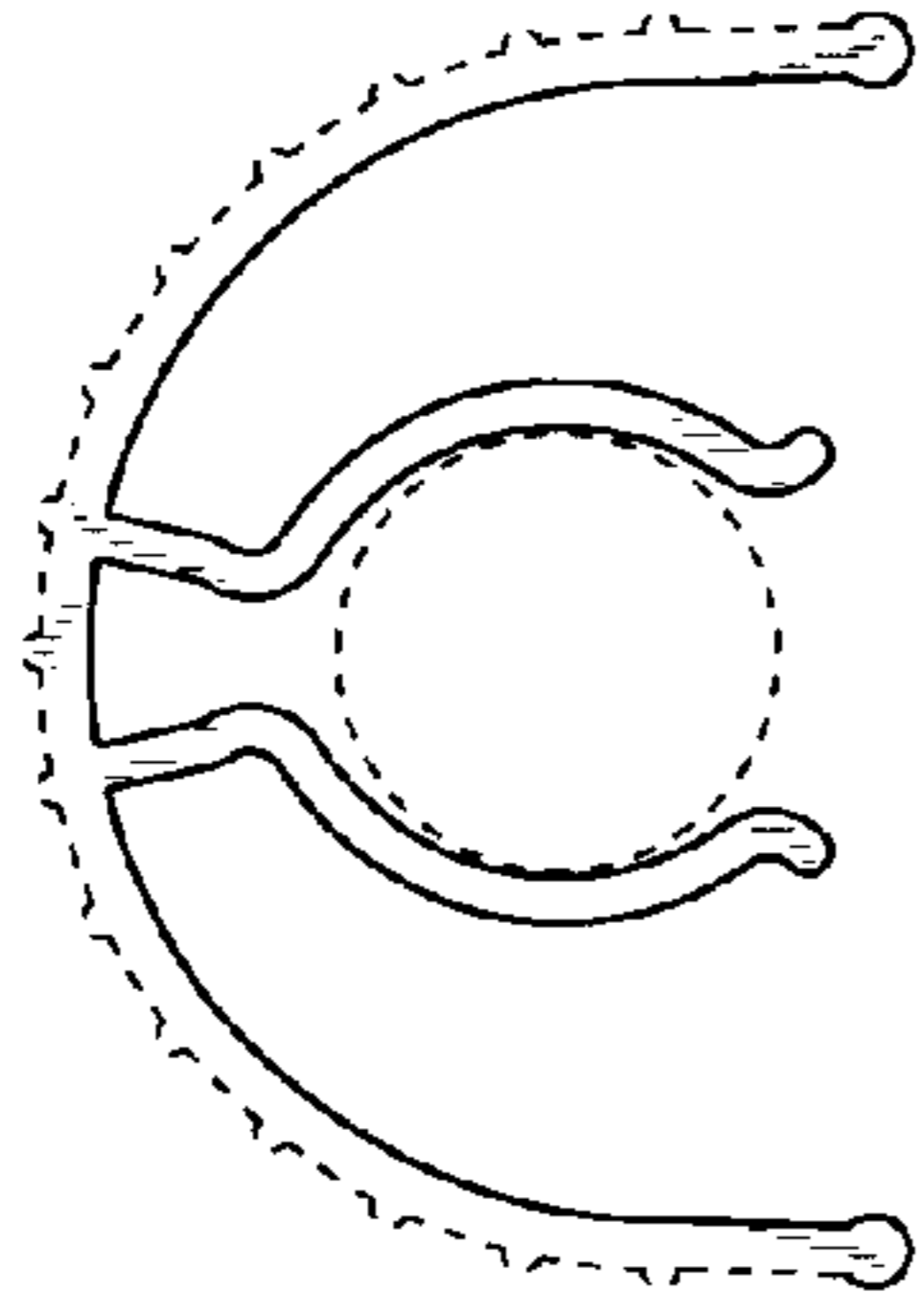


FIG. 8