



US00D536181S

(12) **United States Design Patent** (10) **Patent No.:** **US D536,181 S**  
**Wu** (45) **Date of Patent:** **\*\* Feb. 6, 2007**

(54) **GARMENT SIZER RING**

(76) Inventor: **Raymond Wu**, 12640 Belinda Ct.,  
Lynwood, CA (US) 90262

(\*\*) Term: **14 Years**

(21) Appl. No.: **29/254,105**

(22) Filed: **Feb. 17, 2006**

(51) **LOC (8) Cl.** ..... **06-08**

(52) **U.S. Cl.** ..... **D6/328**

(58) **Field of Classification Search** ..... D6/315,  
D6/316, 318, 319, 326, 328; 223/85-98,  
223/DIG. 2, DIG. 4; 211/1, 6, 7, 13.1, 85.3,  
211/183; D9/414, 430, 432; D21/385, 712,  
D21/797; D14/204; D19/65; 428/34.1; 24/455  
See application file for complete search history.

(56) **References Cited**

**U.S. PATENT DOCUMENTS**

D441,823 S	*	5/2001	Blackhurst	.....	D21/797
D443,319 S	*	6/2001	Crasnick	.....	D21/712
D471,888 S	*	3/2003	Solland	.....	14/204
D492,726 S	*	7/2004	Nuttall et al.	.....	D19/65
D510,198 S	*	10/2005	Willardson	.....	D6/328
2002/0071920 A1	*	6/2002	Obeshaw	.....	428/34.1

\* cited by examiner

*Primary Examiner*—Stella Reid

*Assistant Examiner*—Shanda C. Hill

(74) *Attorney, Agent, or Firm*—Troxell Law Office, PLLC

(57) **CLAIM**

The ornamental design for the garment sizer ring, as shown and described.

**DESCRIPTION**

FIG. 1 is a perspective view of the garment sizer ring showing the new design;

FIG. 2 is a front view of the new design;

FIG. 3 is a rear view of the new design;

FIG. 4 is a left view of the new design;

FIG. 5 is a right view of the new design;

FIG. 6 is a top view of the new design;

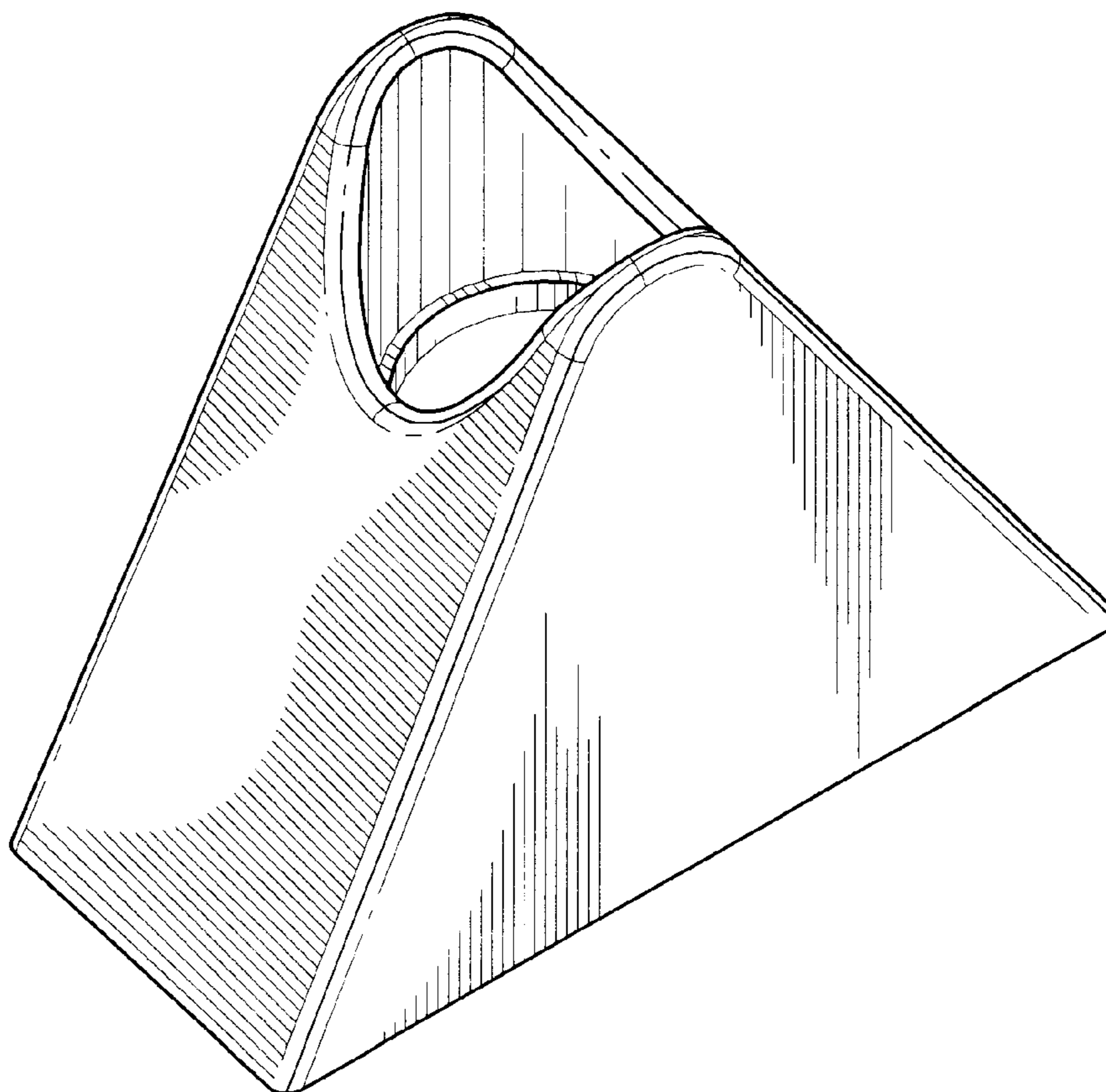
FIG. 7 is a bottom view of the new design;

FIG. 8 is a perspective view of the garment sizer ring, shown in condition of use; and,

FIG. 9 another perspective view of the garment sizer ring, shown in condition of use.

The broken lines shown in the drawing disclosure are for illustrative purposes only and form no part of the claimed design.

**1 Claim, 6 Drawing Sheets**



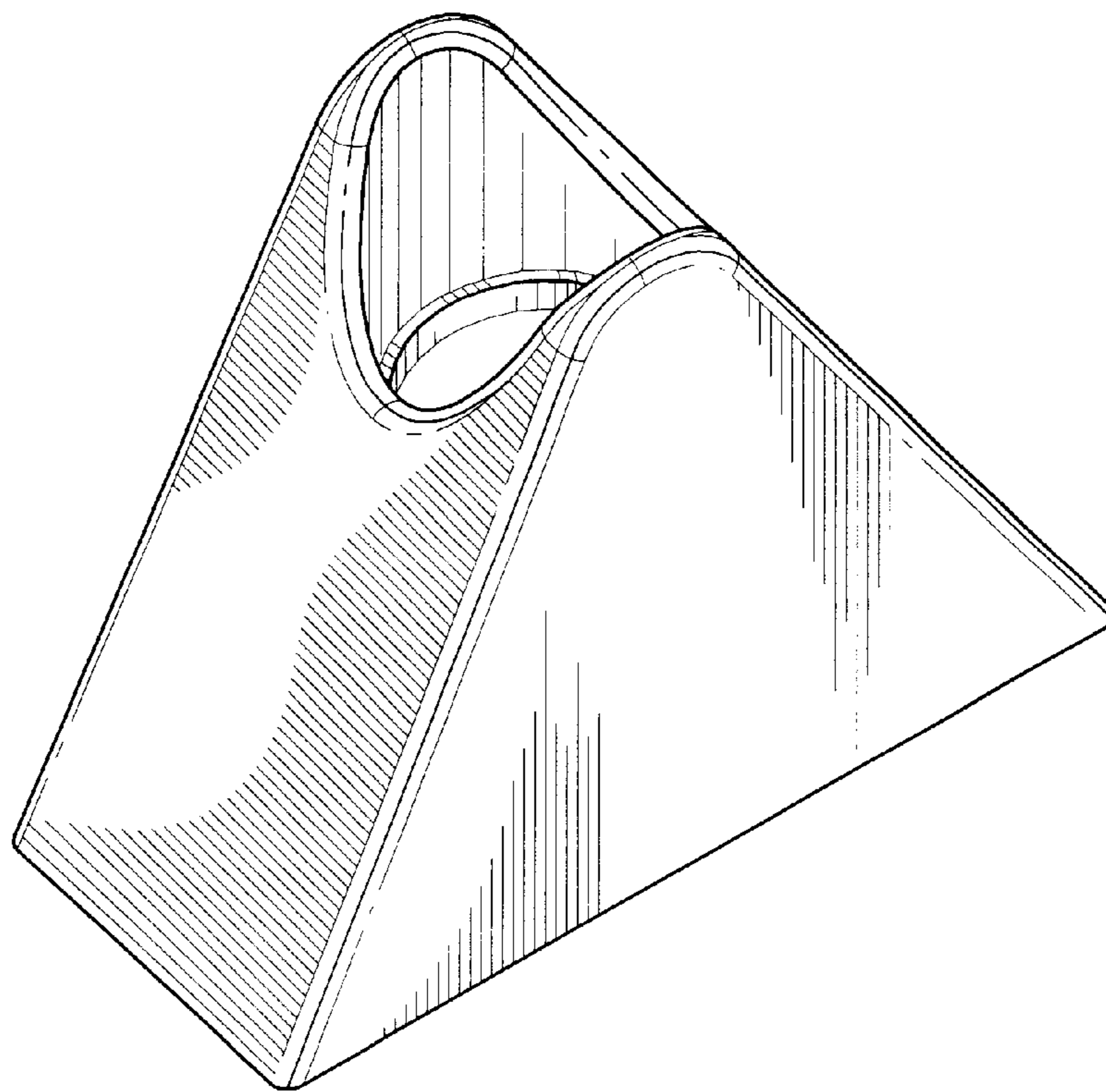


FIG. 1

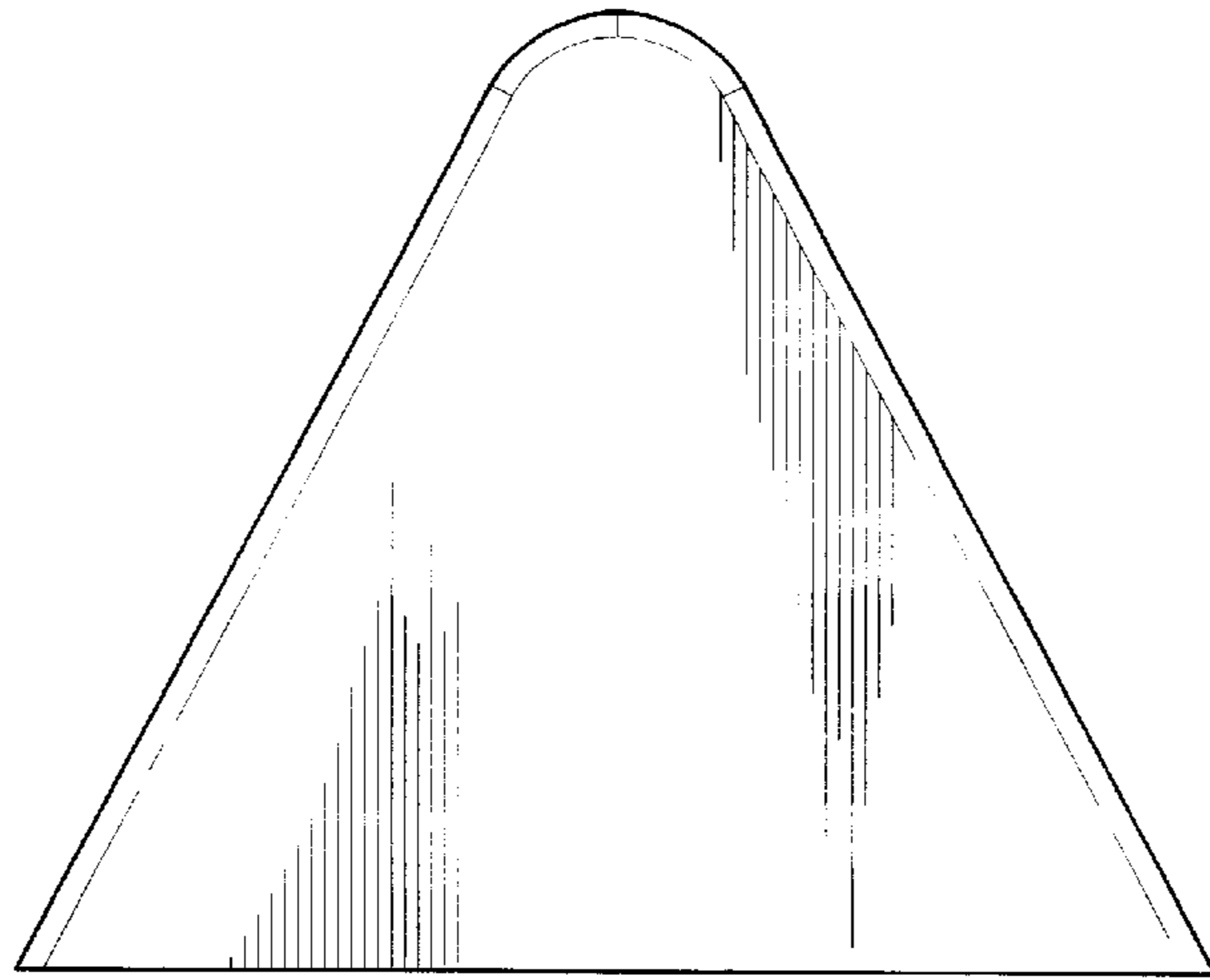


FIG. 2

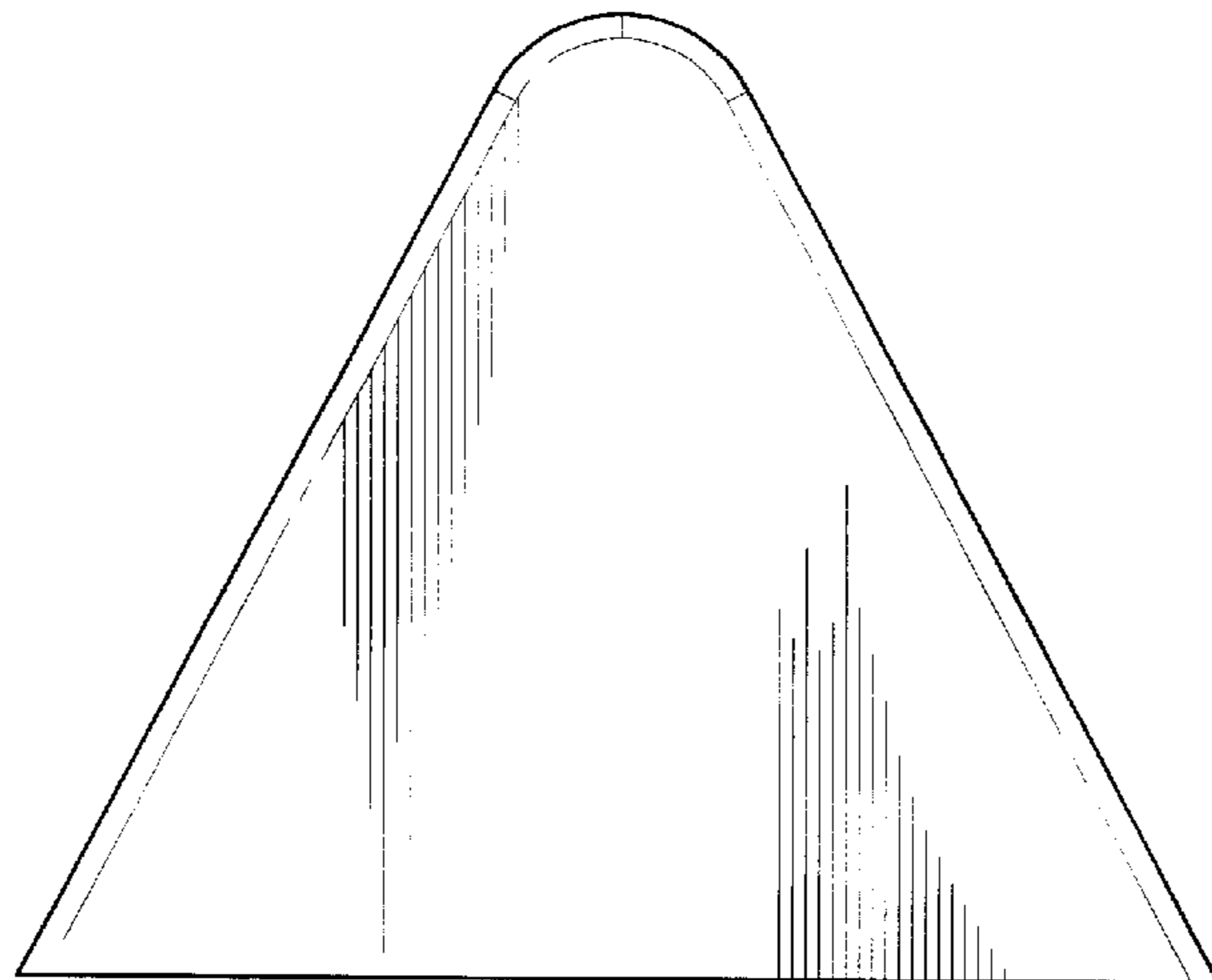


FIG. 3

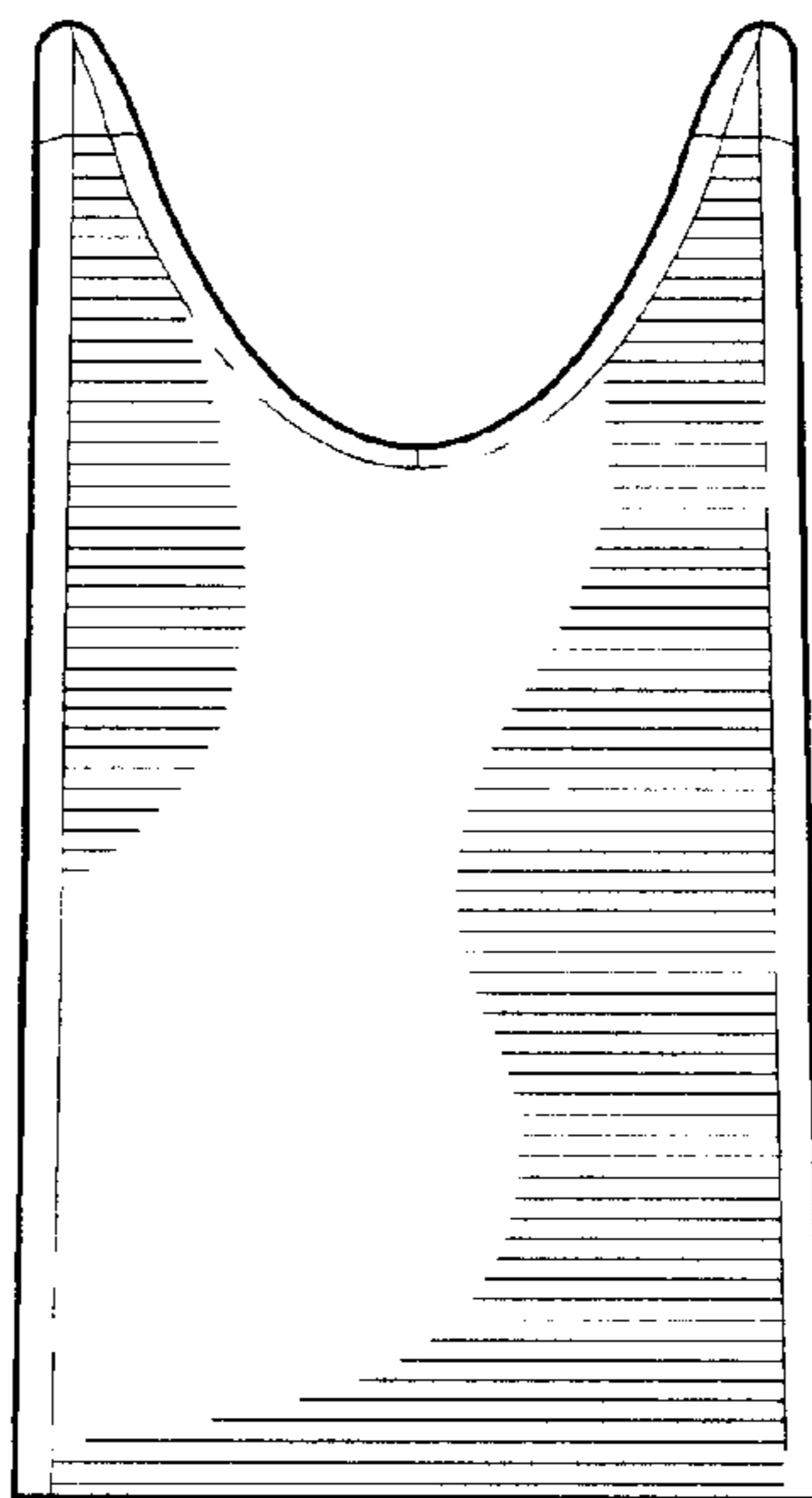


FIG. 4

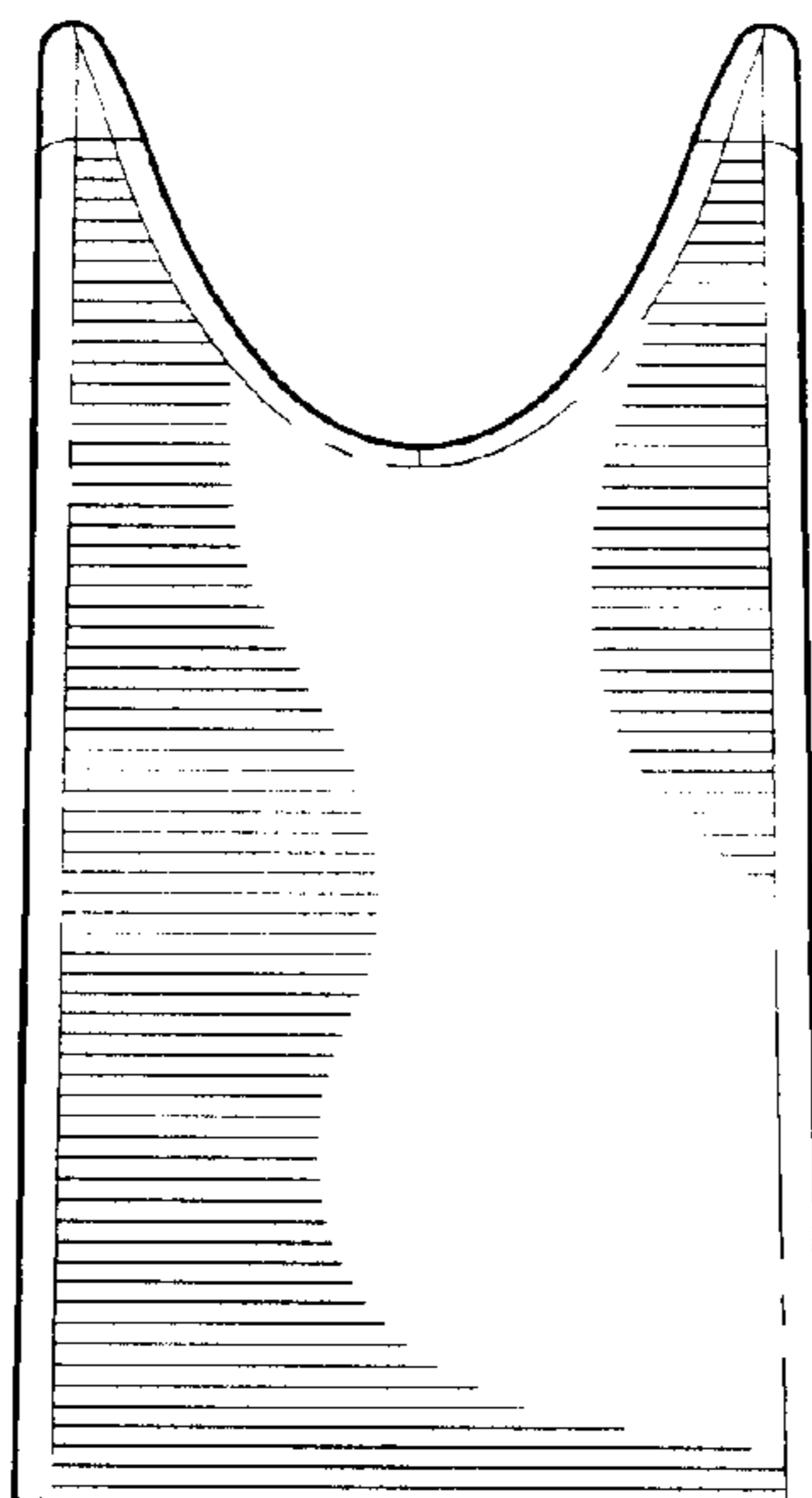


FIG. 5

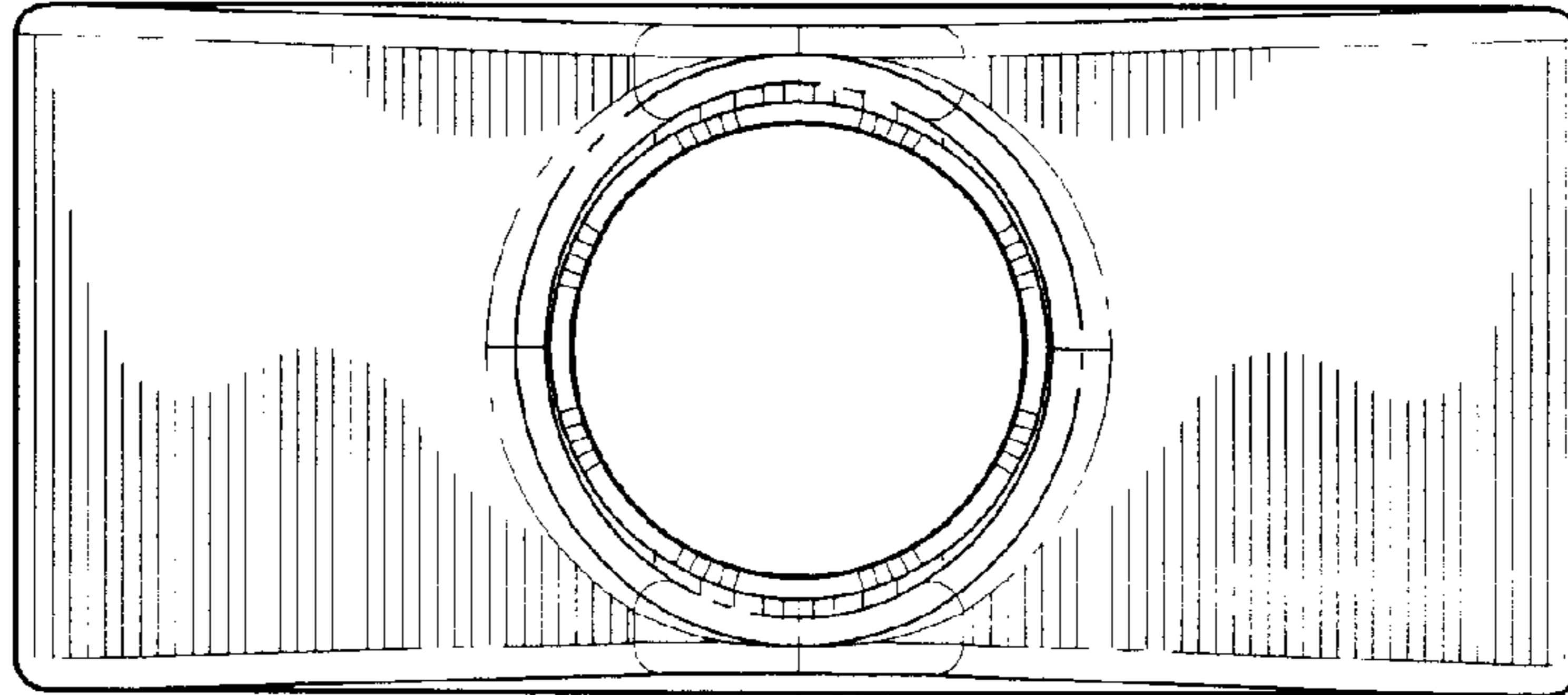


FIG. 6

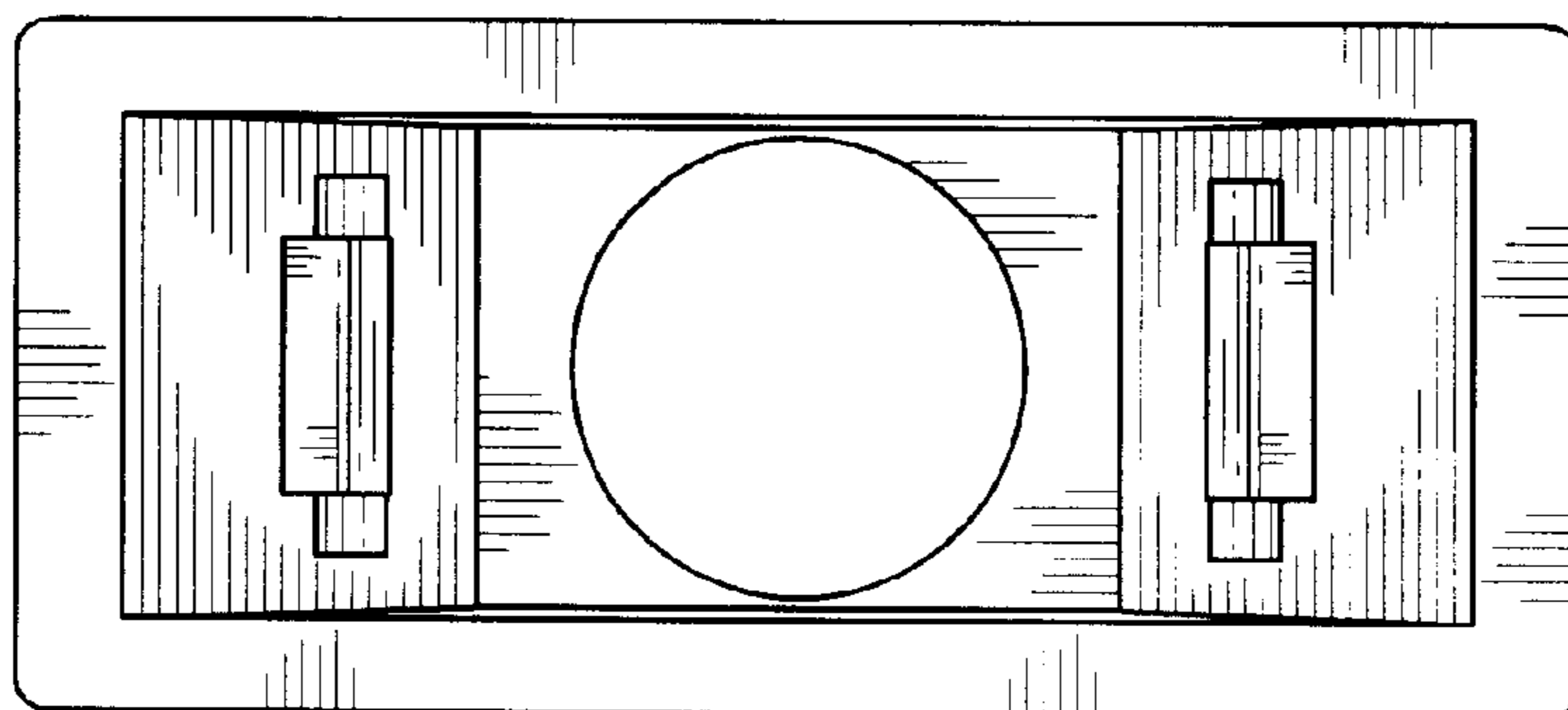


FIG. 7

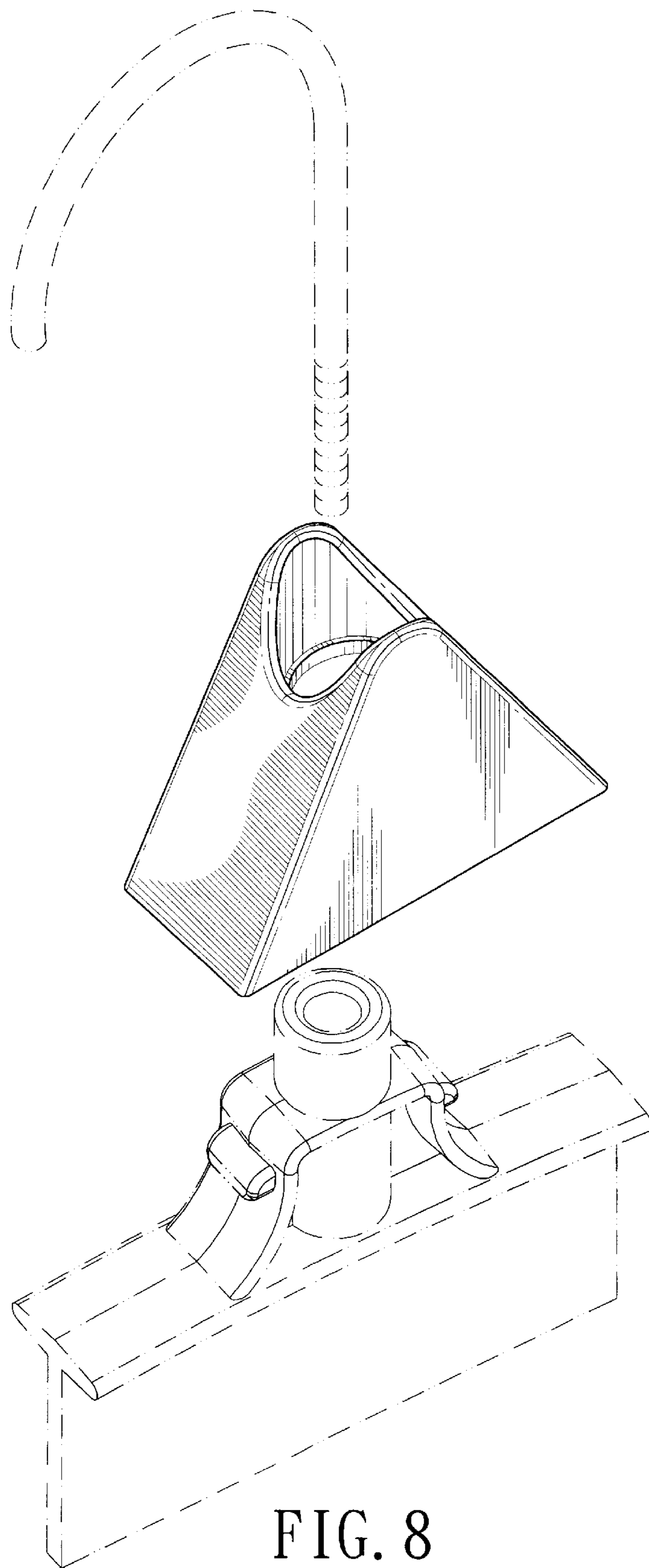


FIG. 8

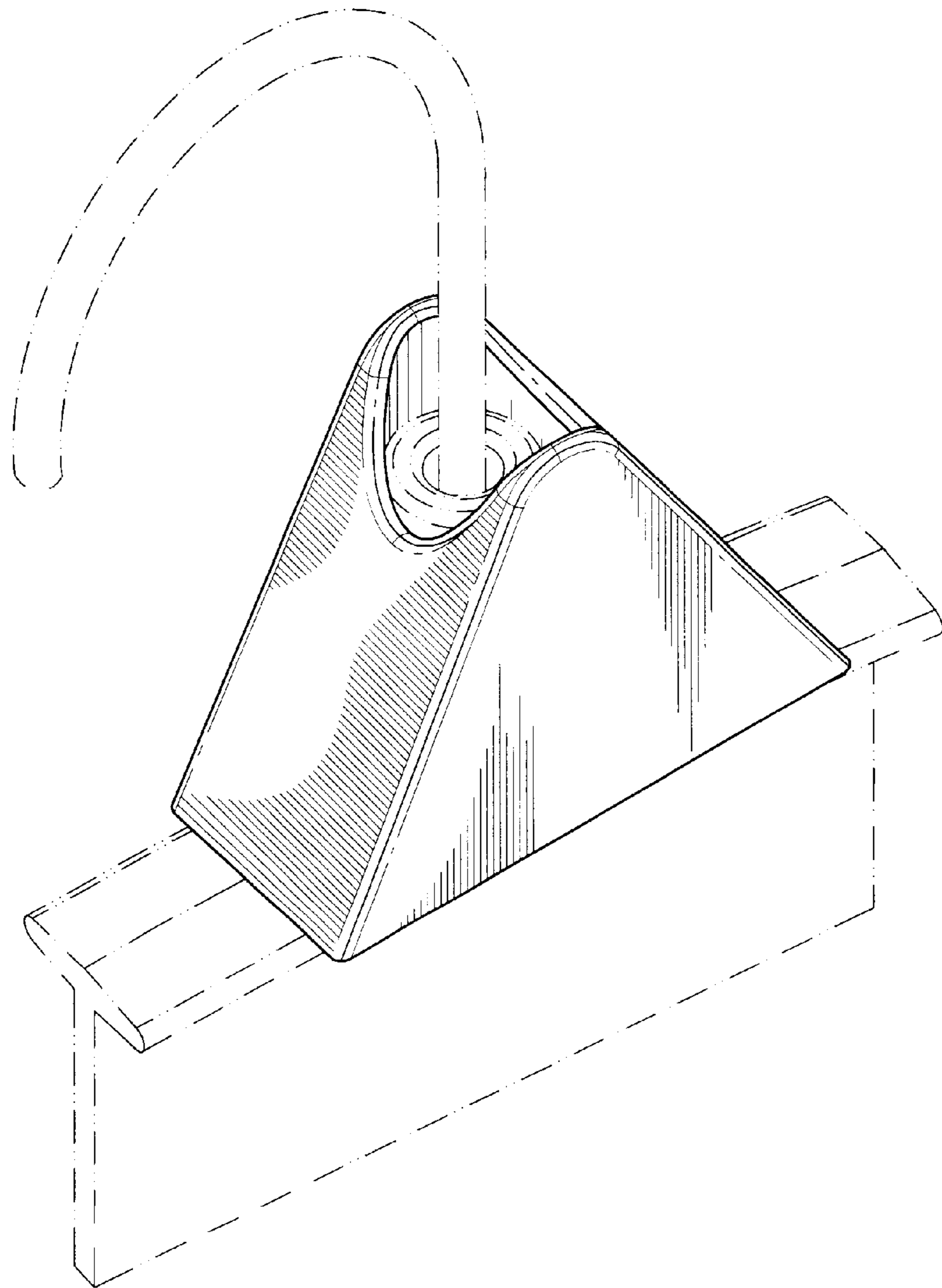


FIG. 9