



US00D536180S

(12) **United States Design Patent**
Wu

(10) **Patent No.:** **US D536,180 S**

(45) **Date of Patent:** **** Feb. 6, 2007**

(54) **GARMENT SIZER RING**

D471,888 S * 3/2003 Solland D14/204
D510,198 S * 10/2005 Willardson D6/328

(76) Inventor: **Raymond Wu**, 12640 Belinda Ct.,
Lynwood, CA (US) 90262

* cited by examiner

(**) Term: **14 Years**

Primary Examiner—Stella Reid

Assistant Examiner—Shanda C. Hill

(21) Appl. No.: **29/253,742**

(74) *Attorney, Agent, or Firm*—Troxell Law Office, PLLC

(22) Filed: **Feb. 13, 2006**

(57) **CLAIM**

(51) **LOC (8) Cl.** **06-08**

The ornamental design for the garment sizer ring, as shown and described.

(52) **U.S. Cl.** **D6/328**

DESCRIPTION

(58) **Field of Classification Search** D6/315,
D6/316, 318, 319, 326, 328; 223/85–98,
223/DIG. 2, DIG. 4; 211/1, 6, 7, 13.1, 85.3,
211/183; D9/414, 430, 432, 433; D21/385,
D21/797; D14/204; 24/455; 361/309, 887
See application file for complete search history.

FIG. 1 is a perspective view of the garment sizer ring showing the new design;
FIG. 2 is a front view of the new design;
FIG. 3 is a rear view of the new design;
FIG. 4 is a left view of the new design;
FIG. 5 is a right view of the new design;
FIG. 6 is a top view of the new design; and,
FIG. 7 is a bottom view of the new design.

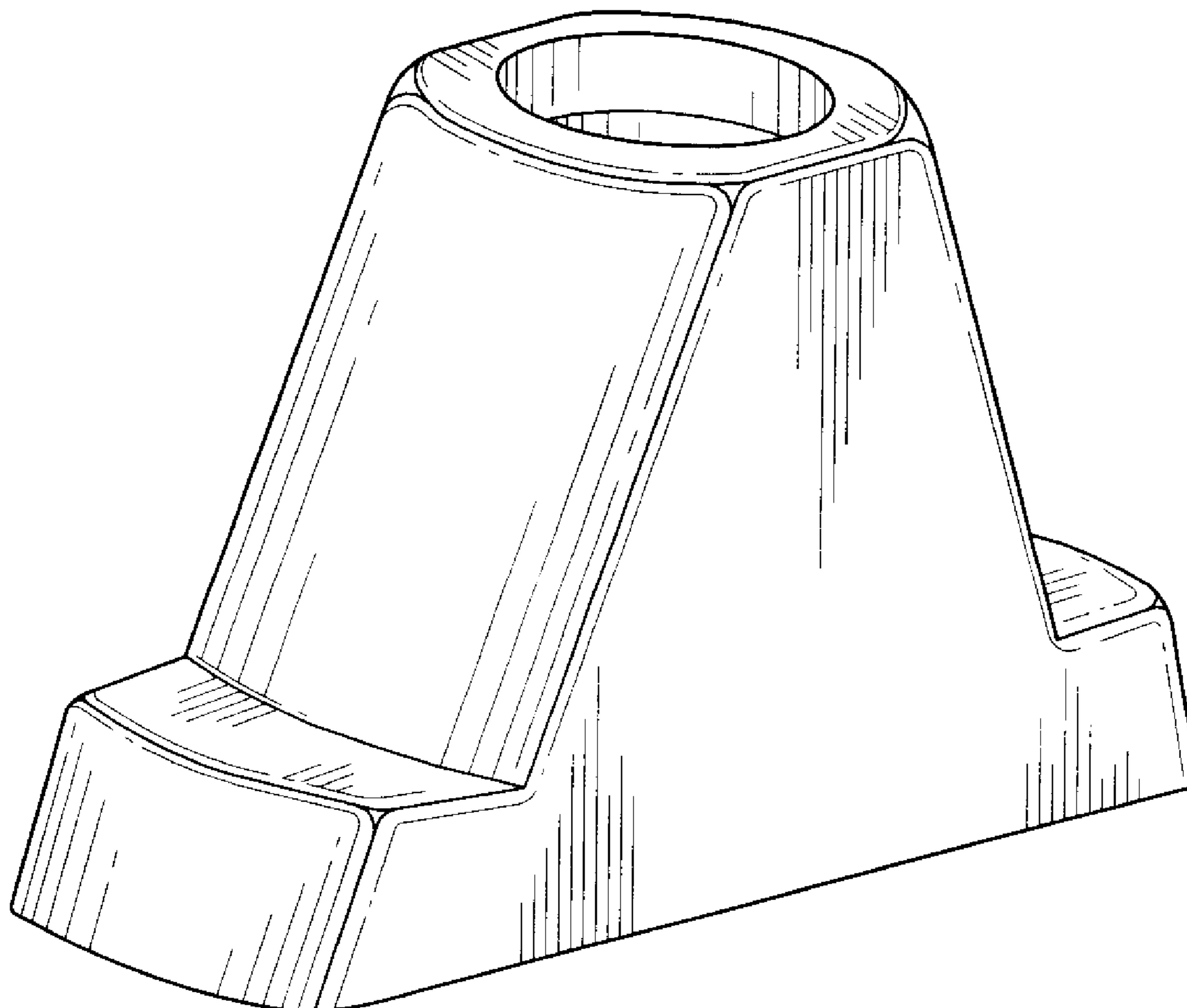
(56) **References Cited**

The broken lines shown in the drawing disclosure are for illustrative purposes only and form no part of the claimed design.

U.S. PATENT DOCUMENTS

687,968 A * 12/1901 Reber D9/433
5,388,024 A * 2/1995 Galvagni 361/309
5,566,054 A * 10/1996 Sato et al. 361/807
D441,823 S * 5/2001 Blackhurst D21/797

1 Claim, 4 Drawing Sheets



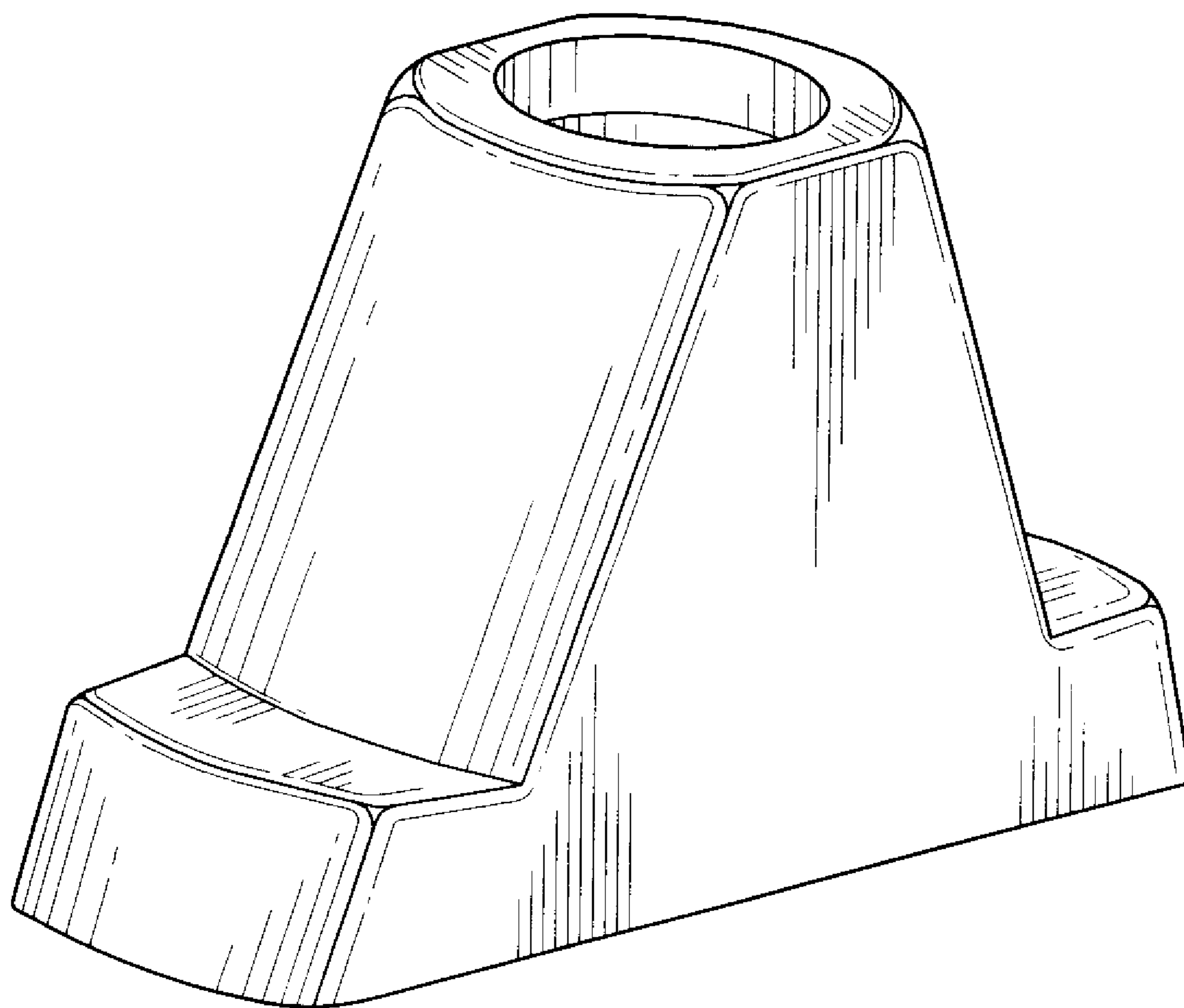


FIG. 1

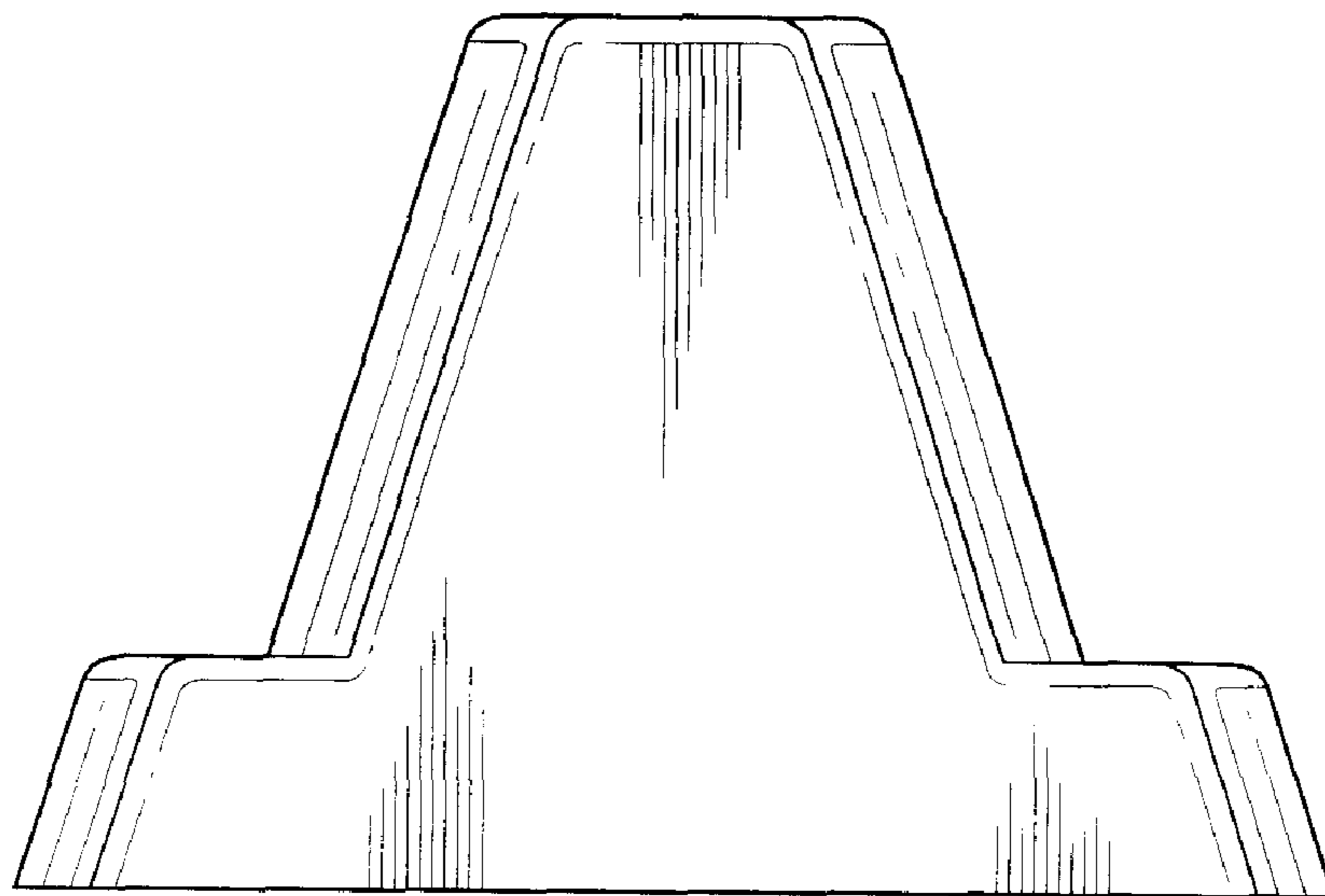


FIG. 2

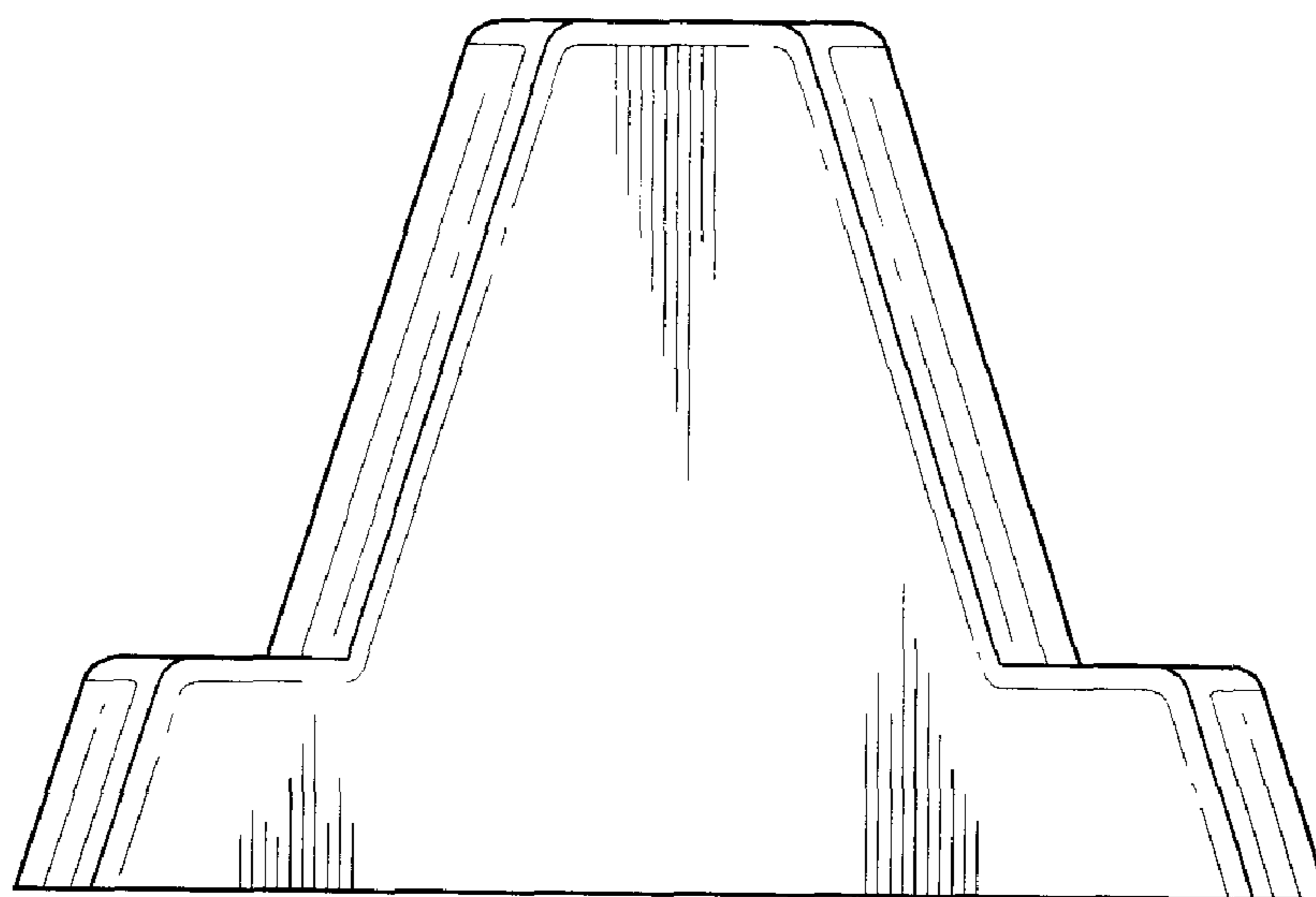


FIG. 3

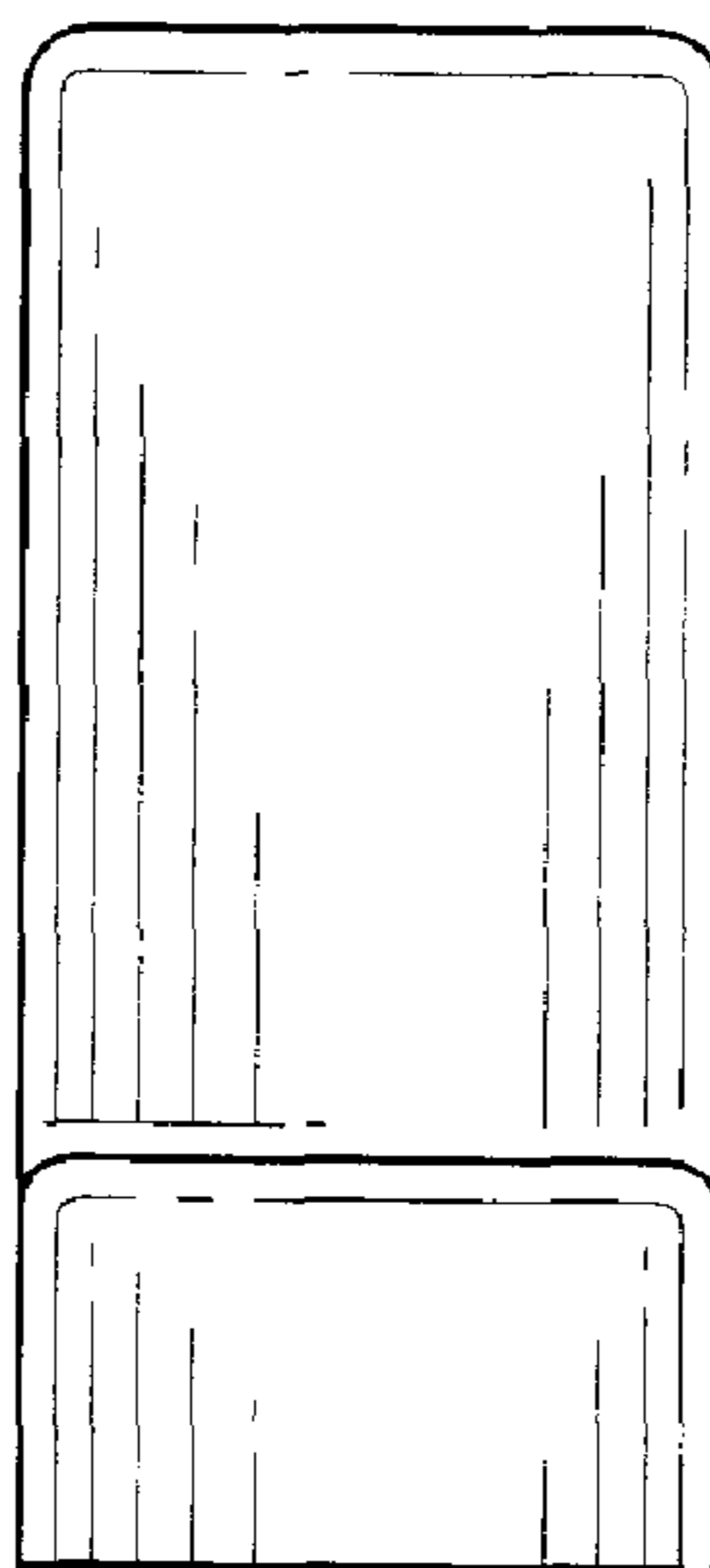


FIG. 4

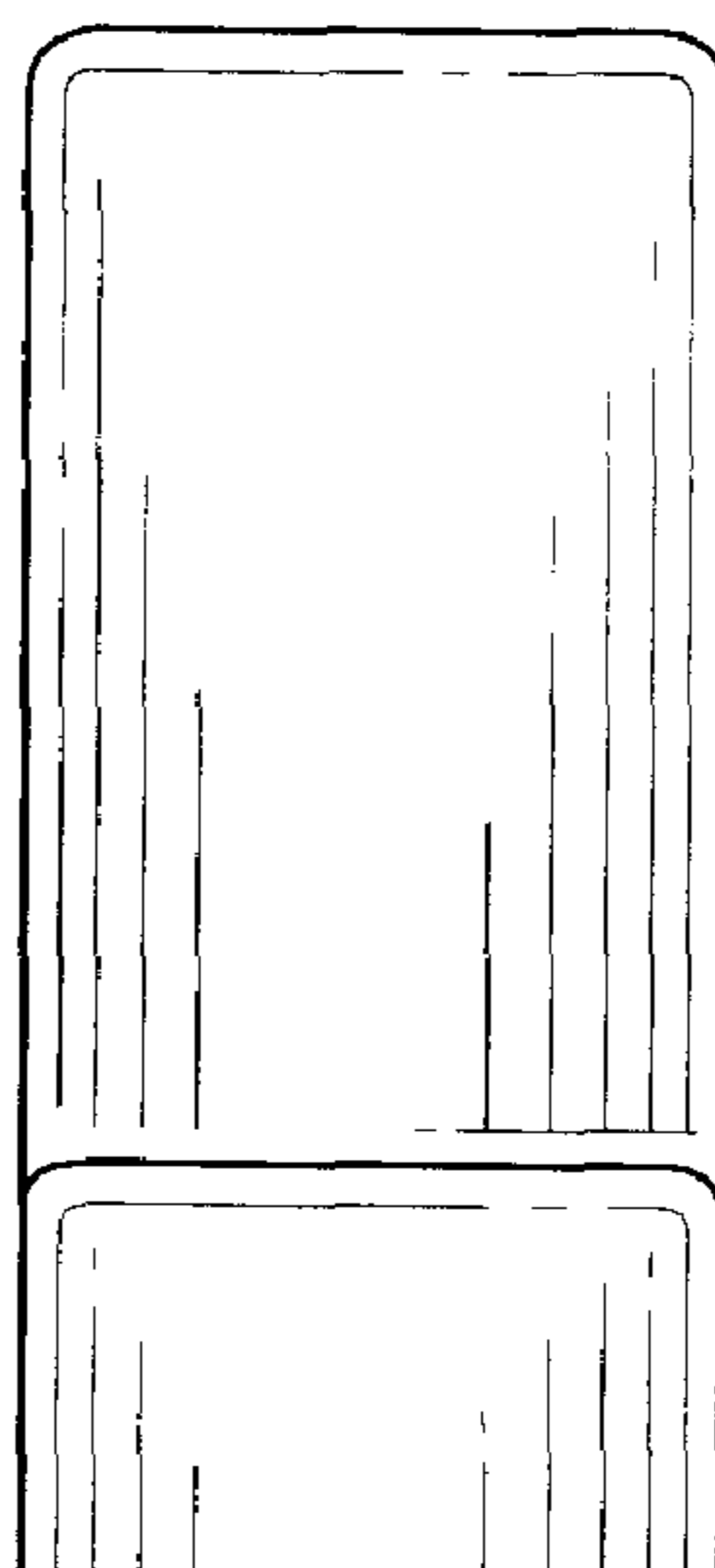


FIG. 5

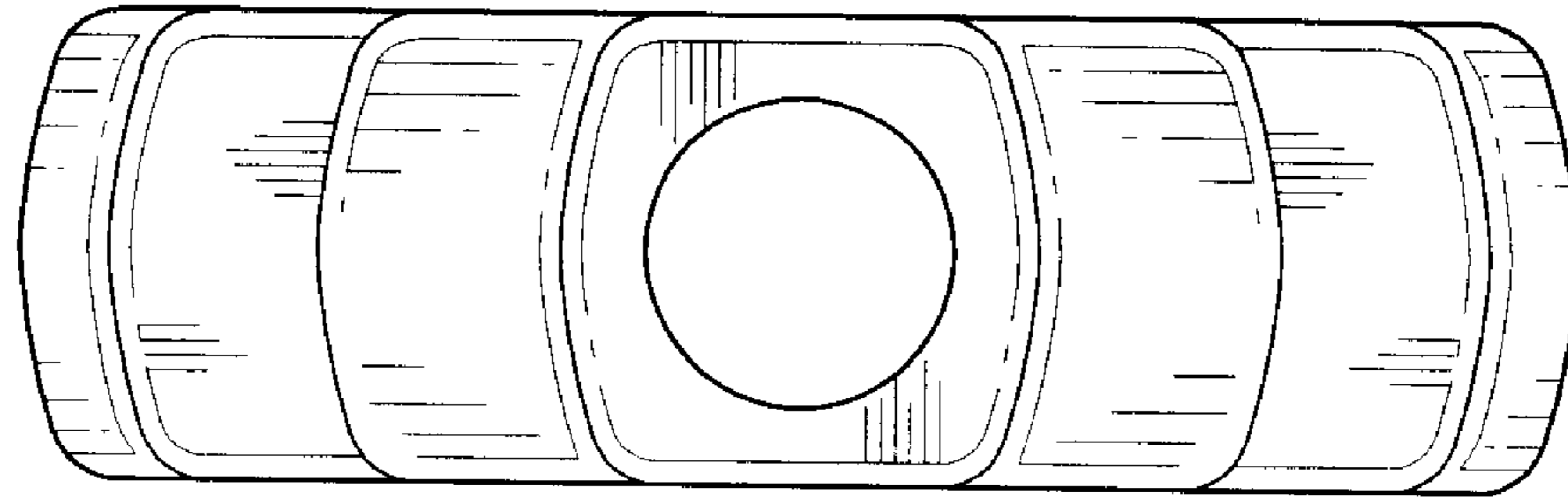


FIG. 6

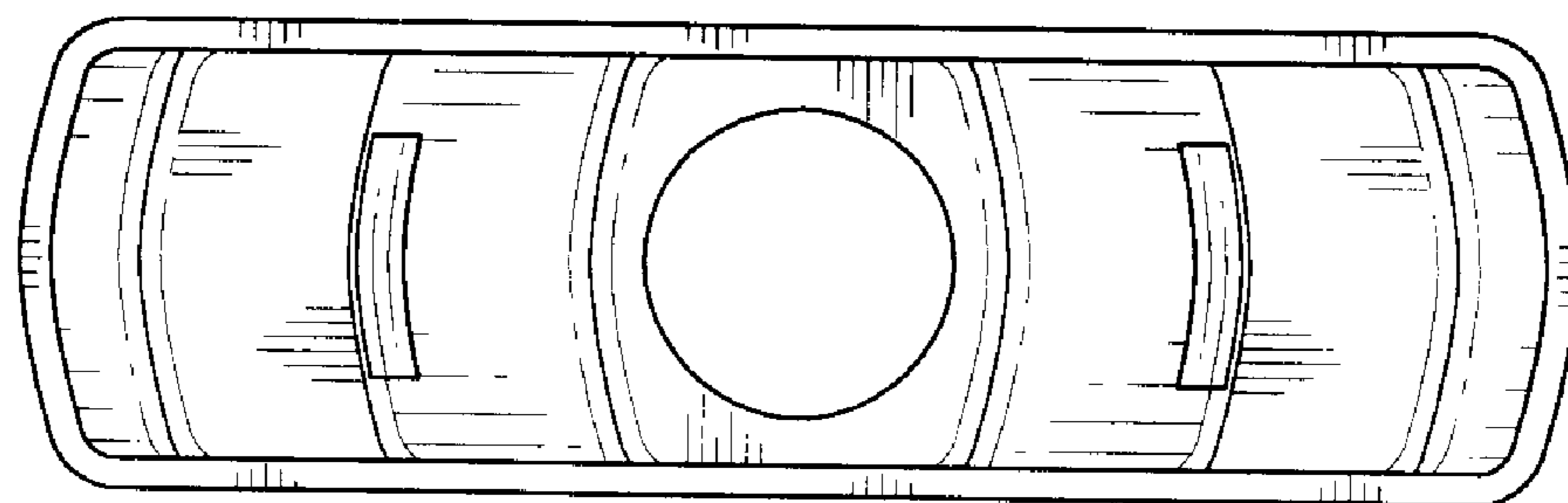


FIG. 7