



US00D536178S

(12) **United States Design Patent**
Greenberg

(10) **Patent No.:** **US D536,178 S**

(45) **Date of Patent:** **** *Feb. 6, 2007**

(54) **HANDLE**

(76) **Inventor:** **William A. Greenberg**, 2059 LaCrosse Ave., St. Paul, MN (US) 55119

(*) **Notice:** This patent is subject to a terminal disclaimer.

(**) **Term:** **14 Years**

(21) **Appl. No.:** **29/189,499**

(22) **Filed:** **Sep. 5, 2003**

(51) **LOC (8) Cl.** **04-01**

(52) **U.S. Cl.** **D4/129; D4/138**

(58) **Field of Classification Search** D4/129,
D4/132, 138; D32/50, 51; 15/143.1, 159.1,
15/160; 16/110.1, 426, 430, 431, DIG. 12,
16/DIG. 18, DIG. 19; 56/DIG. 18; 294/57,
294/58

See application file for complete search history.

(56) **References Cited**

U.S. PATENT DOCUMENTS

657,294 A	9/1900	Norcross	294/62
986,796 A	3/1911	Behm	16/426
1,083,054 A	12/1913	Brown	294/58
1,600,858 A	* 9/1926	Wright	294/58 X
1,687,190 A	* 10/1928	Wulff	294/58
1,829,467 A	10/1931	Atkinson	16/112.1
2,482,589 A	9/1949	Maguire	294/58
2,753,579 A	7/1956	Kussmann	15/145
4,704,758 A	11/1987	Hoffman	15/144.4
4,767,141 A	8/1988	Martin	294/50
4,809,388 A	3/1989	Dietrich	15/143.1
4,958,407 A	9/1990	Johnson	16/426
5,001,802 A	3/1991	Humphrey	15/159.1
5,060,343 A	10/1991	Nisenbaum	16/421
5,133,101 A	7/1992	Hauser et al.	15/143.1
5,165,144 A	11/1992	Nisenbaum	16/421
D343,555 S	1/1994	Bonner, III	D8/11
5,319,824 A	* 6/1994	Cook, III	15/160
D353,752 S	12/1994	Page	D8/11
D359,605 S	6/1995	Janikowski	D32/51

5,502,862 A	4/1996	Vosbikian	15/175
D376,742 S	12/1996	Filowiak et al.	D8/13
D383,580 S	9/1997	Bolster et al.	D32/54
5,661,960 A	* 9/1997	Smith et al.	56/DIG. 18 X
D388,934 S	1/1998	Ames, Jr. et al.	D4/132
5,706,553 A	1/1998	Riley et al.	16/111.1
D392,103 S	3/1998	Zaccheria	D4/132
5,771,535 A	6/1998	Blessing	16/430
5,791,006 A	8/1998	Anctil	15/144.4
5,810,408 A	9/1998	Armstrong	294/57
D411,673 S	6/1999	Biggs et al.	D32/51
5,920,944 A	7/1999	Biggs et al.	15/144.4
D413,234 S	8/1999	Spear	D8/13
5,940,933 A	8/1999	Chang	16/439
D433,890 S	11/2000	Scaringella	D8/13
6,155,620 A	12/2000	Armstrong	294/57
6,170,112 B1	1/2001	Mayfield et al.	15/159.1

(Continued)

FOREIGN PATENT DOCUMENTS

EP 1138399 A2 * 10/2001

Primary Examiner—Alan P. Douglas
Assistant Examiner—Lavone D. Tabor

(74) *Attorney, Agent, or Firm*—Kagan Binder, PLLC

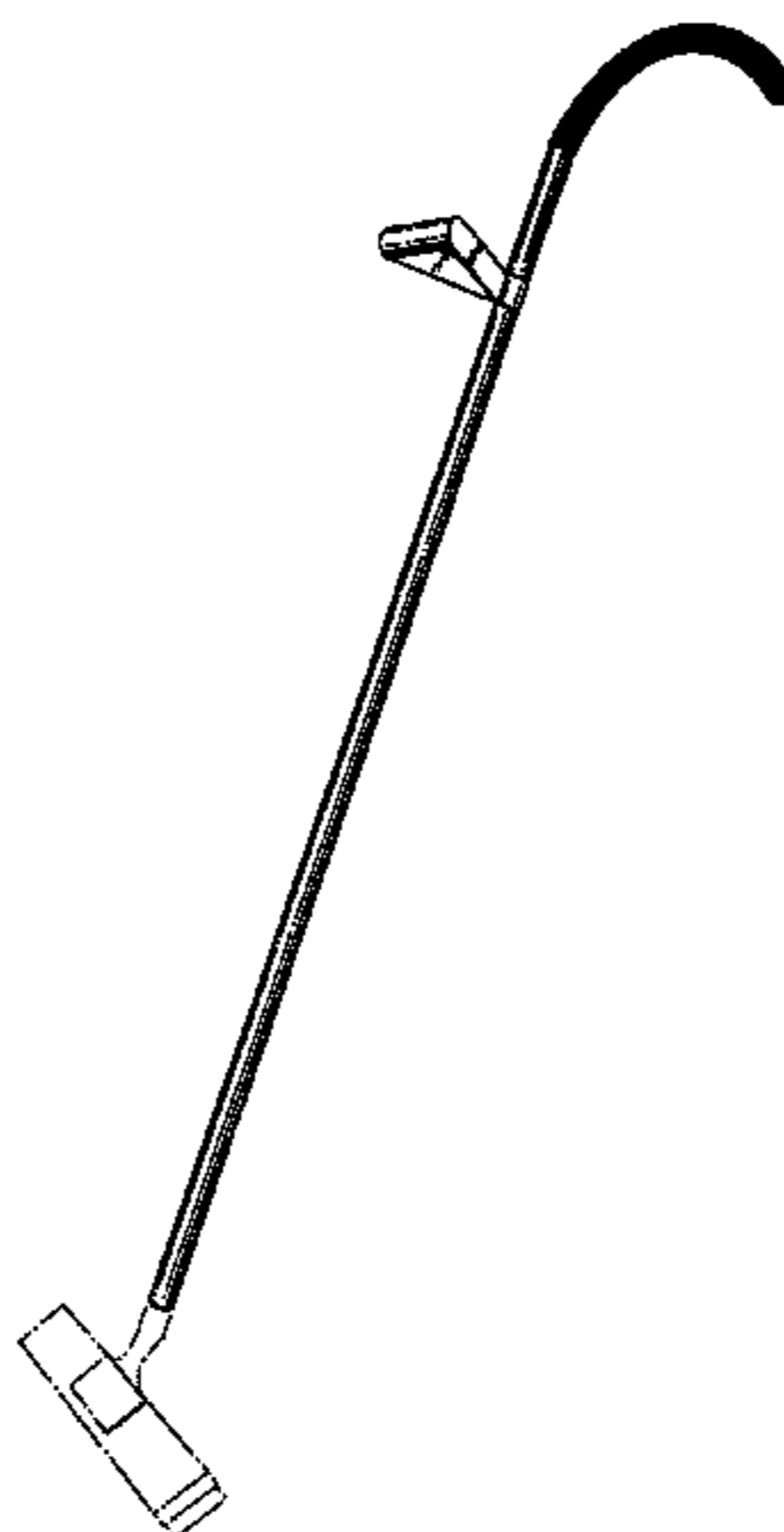
(57) **CLAIM**

The ornamental design for a handle, as shown and described.

DESCRIPTION

FIG. 1 is a perspective view of the handle of the present design;
FIG. 2 is a left side elevational view of the handle of FIG. 1;
FIG. 3 is a right side elevational view of the handle of FIG. 1;
FIG. 4 is a front elevational view of the handle of FIG. 1;
FIG. 5 is a rear elevational view of the handle of FIG. 1;
FIG. 6 is a top plan view of the handle of FIG. 1; and,
FIG. 7 is a bottom plan view of the handle of FIG. 1.
The broken line portions of the drawings are for illustrative purposes only and form no part of the claimed design.

1 Claim, 6 Drawing Sheets



US D536,178 S

Page 2

U.S. PATENT DOCUMENTS			
		6,487,747 B2	12/2002 Cavalheiro 15/143.1
		D482,875 S *	12/2003 Greenberg D4/138
6,203,626 B1	3/2001	Biggs et al.	134/6
6,336,254 B1	1/2002	Graff et al.	16/422
D458,721 S	6/2002	Clarke	D32/51
			* cited by examiner

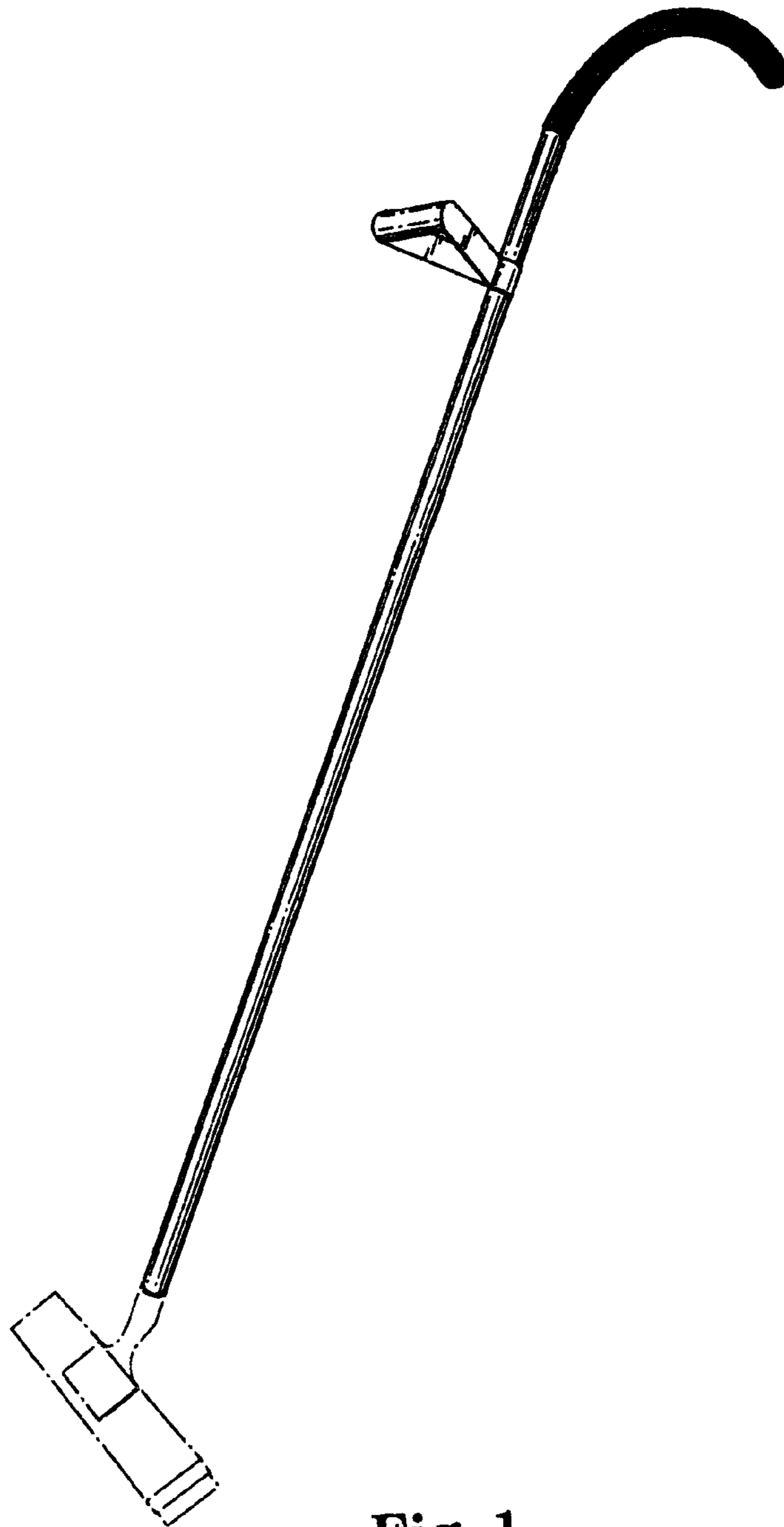


Fig. 1

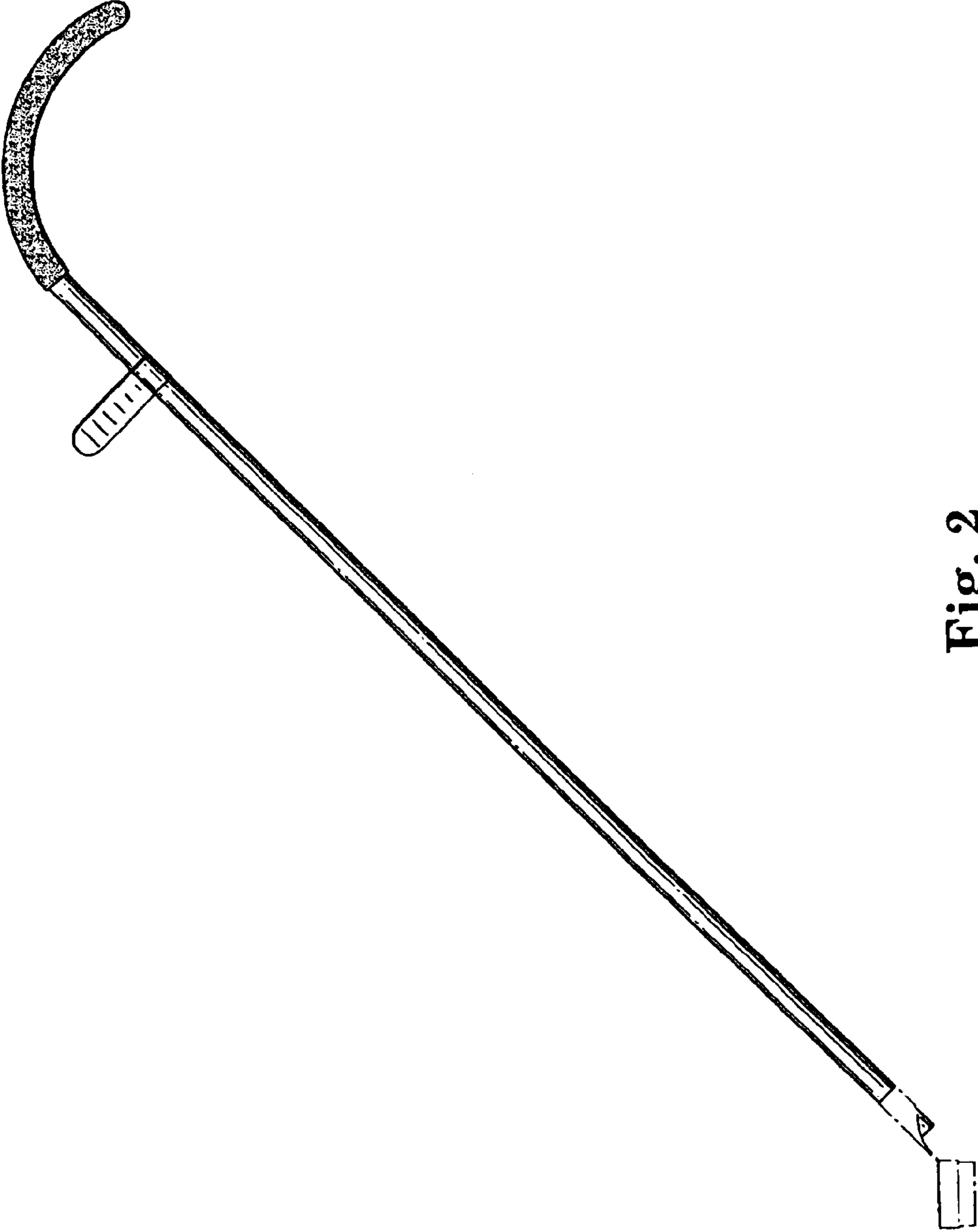


Fig. 2

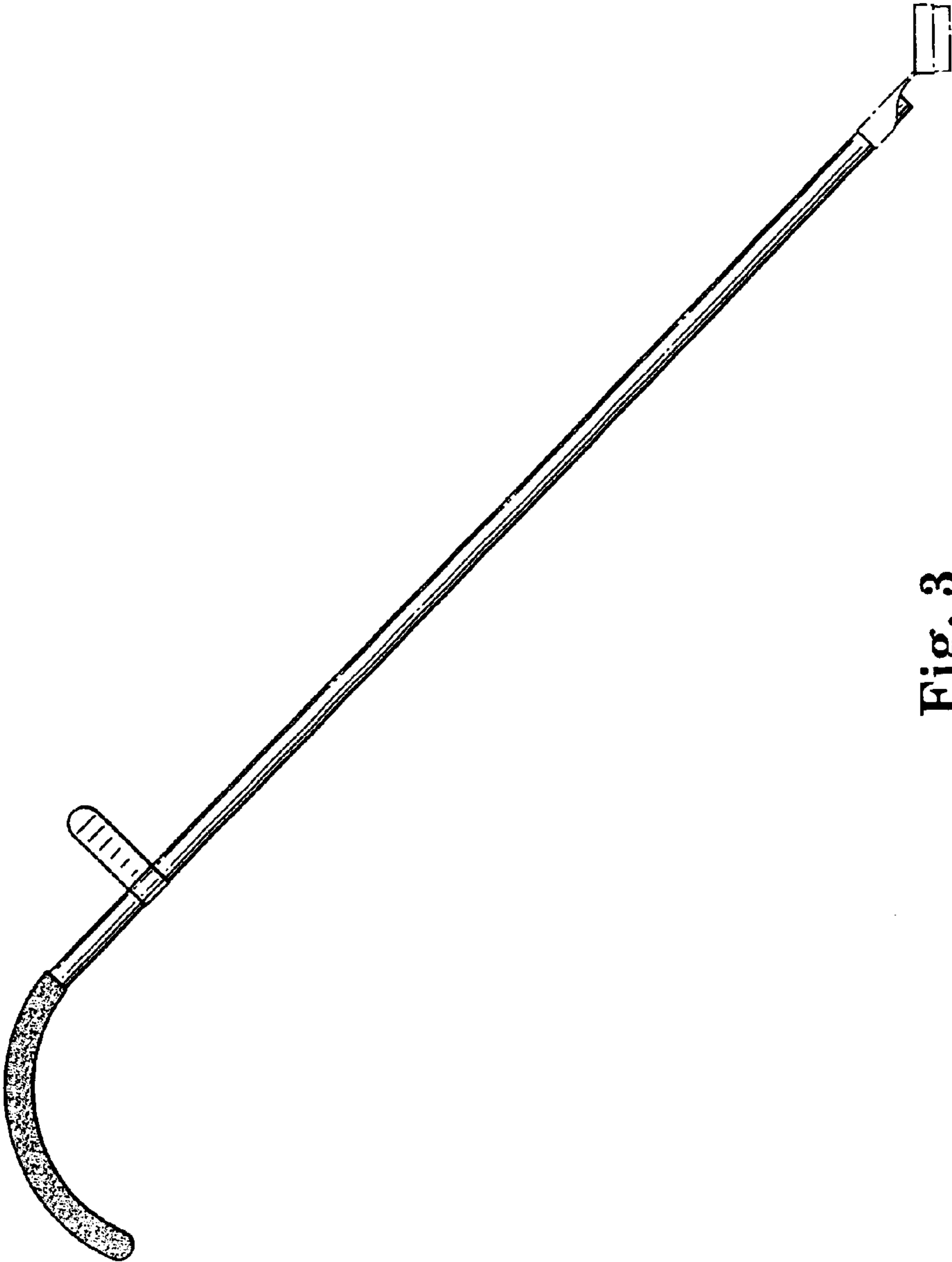


Fig. 3

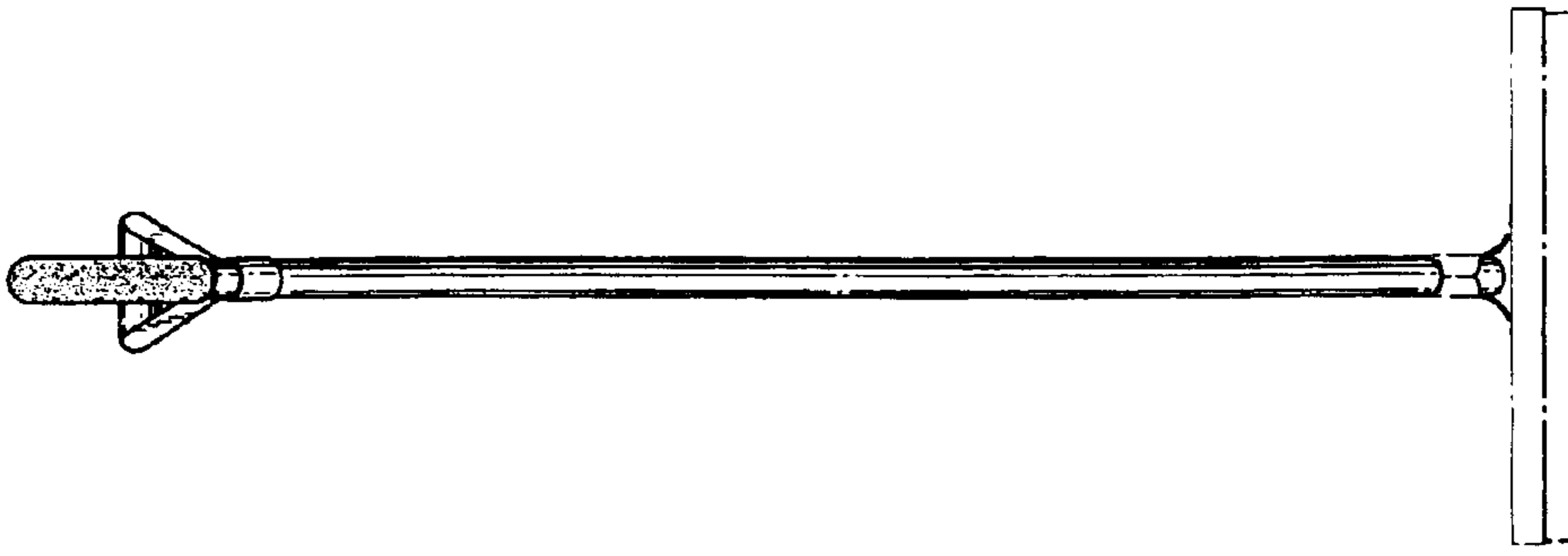


Fig. 5

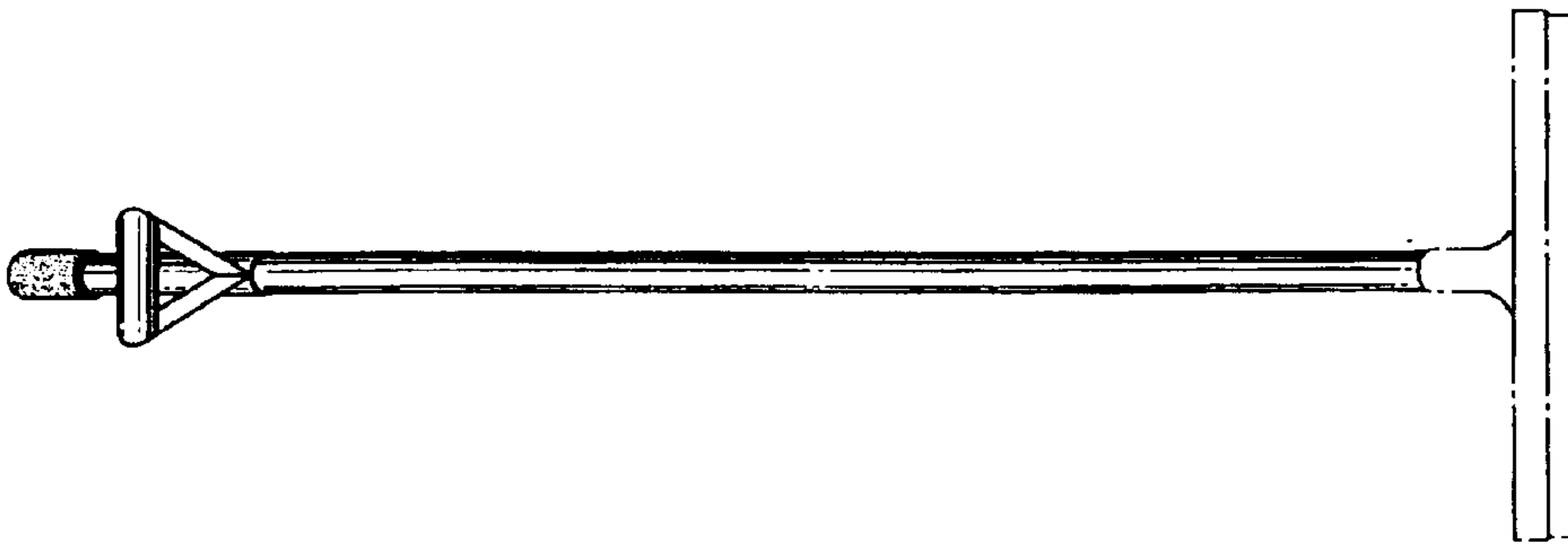


Fig. 4

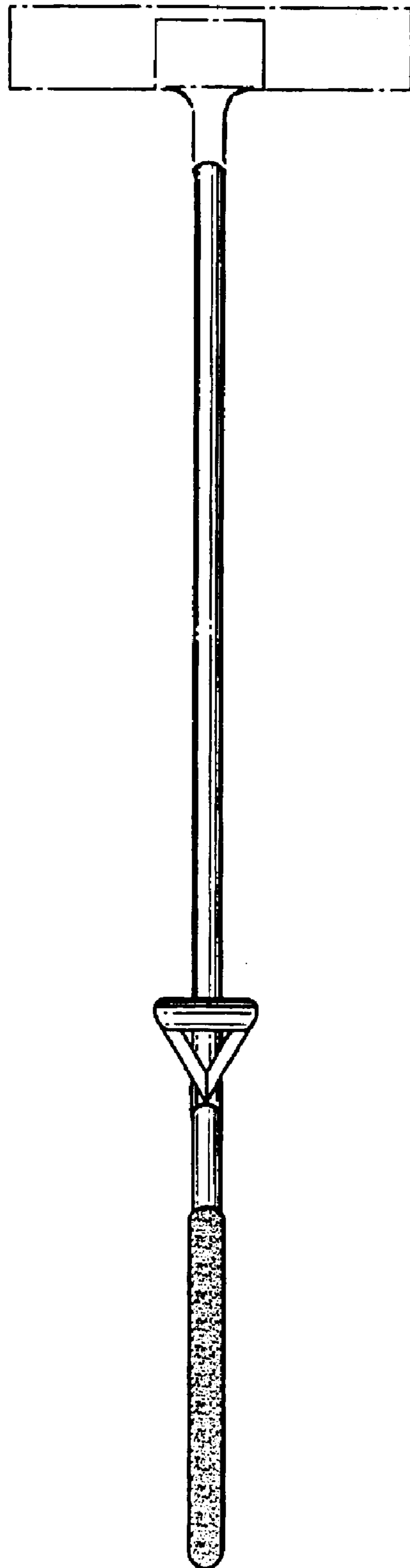


Fig. 6

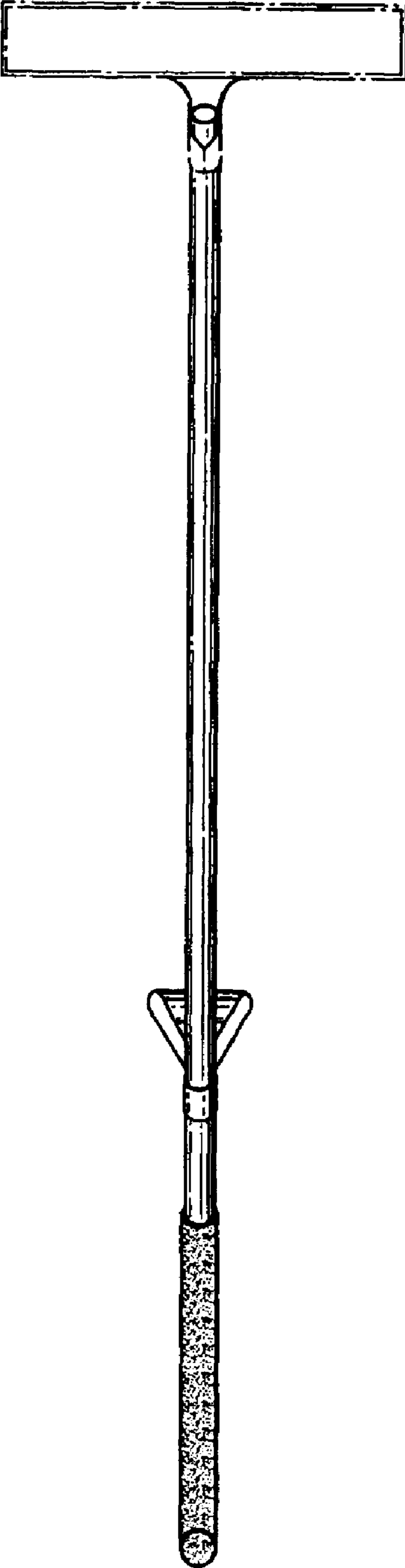


Fig. 7