



US00D536176S

(12) **United States Design Patent**
Ramirez

(10) **Patent No.:** **US D536,176 S**

(45) **Date of Patent:** **** Feb. 6, 2007**

(54) **NON-ABRASIVE CAR WASH BRUSH COVER**

(76) **Inventor:** **Adam L. Ramirez**, 1146 Patterson St.,
Houston, TX (US) 77007

(**) **Term:** **14 Years**

(21) **Appl. No.:** **29/243,037**

(22) **Filed:** **Nov. 18, 2005**

(51) **LOC (8) Cl.** **04-01**

(52) **U.S. Cl.** **D4/115; D4/136; D32/50**

(58) **Field of Classification Search** D4/115,
D4/132, 135-137; D32/40, 50; 15/188, 226,
15/228, 229.1, 229.2, 229.3, 229.4, 229.6,
15/229.7, 229.8, 247; 401/283, 285, 288,
401/289

See application file for complete search history.

(56) **References Cited**

U.S. PATENT DOCUMENTS

1,481,772 A	1/1924	Zell	
1,618,553 A *	2/1927	Saul	15/229.8
2,685,702 A	8/1954	Jones	
3,449,784 A *	6/1969	Moss	15/229.4
3,827,099 A *	8/1974	Allaire et al.	15/229.1
4,066,366 A	1/1978	Reynolds	
4,513,467 A	4/1985	Roncaglione	
4,673,307 A	6/1987	Prestele et al.	

5,177,831 A *	1/1993	Wirth	15/244.3
5,794,302 A	8/1998	Lin	
D417,325 S *	11/1999	Tintelnot	D32/50
6,233,777 B1 *	5/2001	Kresse et al.	15/229.4

* cited by examiner

Primary Examiner—Alan P. Douglas

Assistant Examiner—Lavone D. Tabor

(74) *Attorney, Agent, or Firm*—Donald R. Schoonover

(57) **CLAIM**

I claim the ornamental design for a non-abrasive car wash brush cover, as shown and described.

DESCRIPTION

FIG. 1 is a perspective view of a non-abrasive car wash brush cover showing my new design; FIG. 2 is a side elevational view thereof; FIG. 3 is an elevational view of the opposing side thereof; FIG. 4 is an end elevational view thereof, the elevational view of the opposing end is a mirror image thereof; FIG. 5 is a bottom plan view thereof; FIG. 6 is a top plan view thereof; and, FIG. 7 is a reduced end elevational view showing the non-abrasive car wash brush cover in use; the broken lines depict environmental structure for illustrative purposes only and form no part of the claimed design.

1 Claim, 2 Drawing Sheets

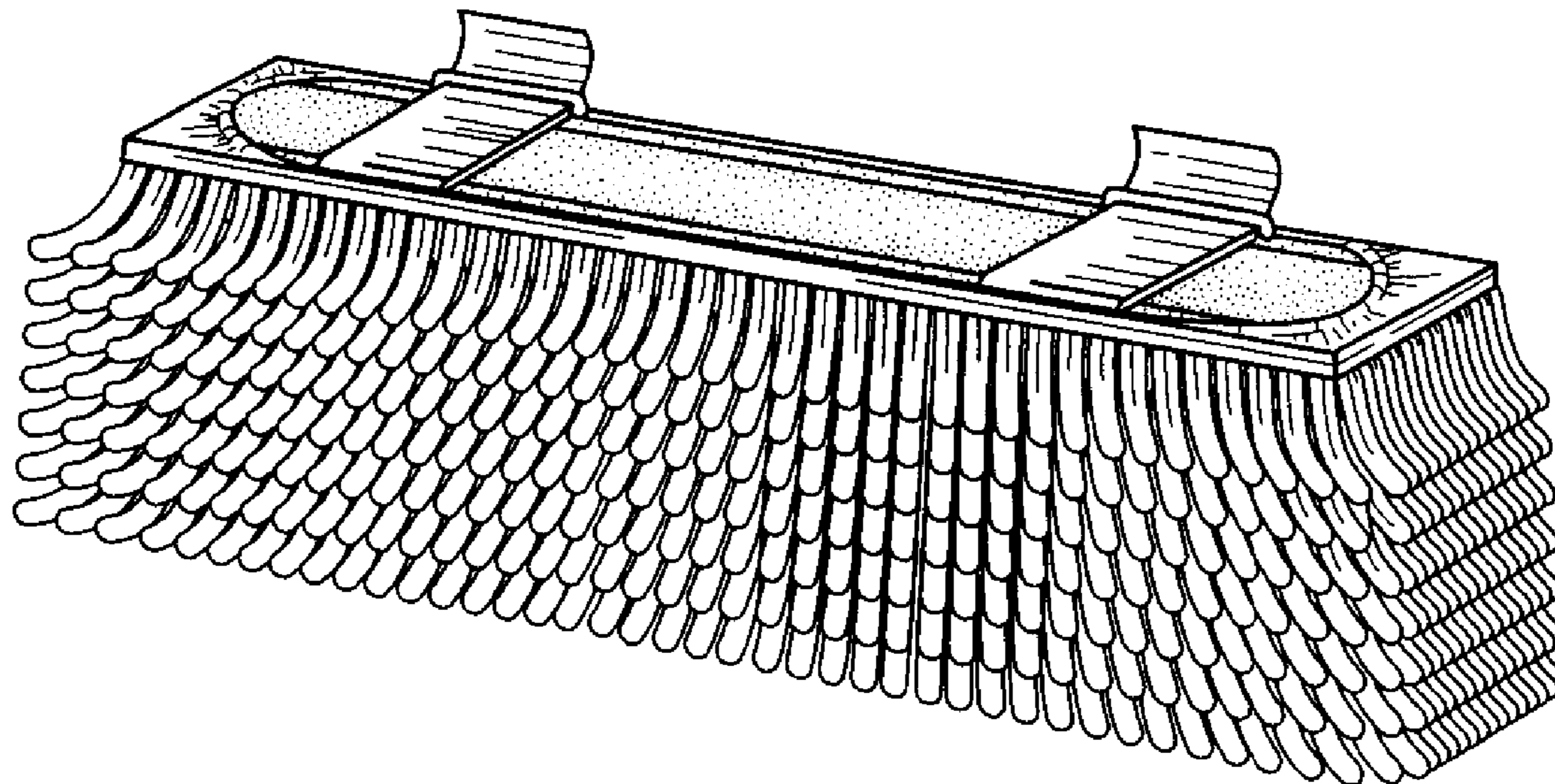


Fig. 1

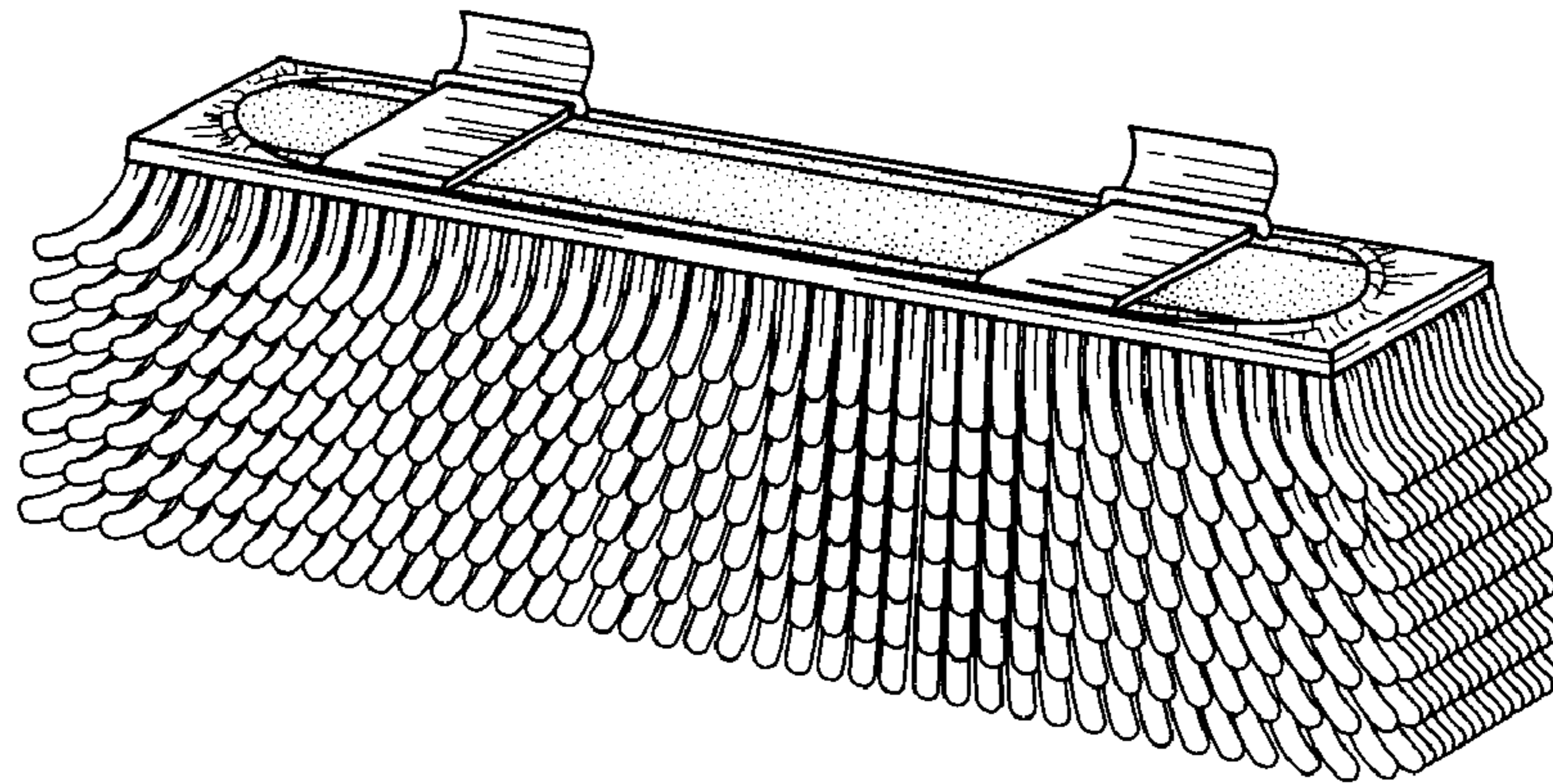


Fig. 2

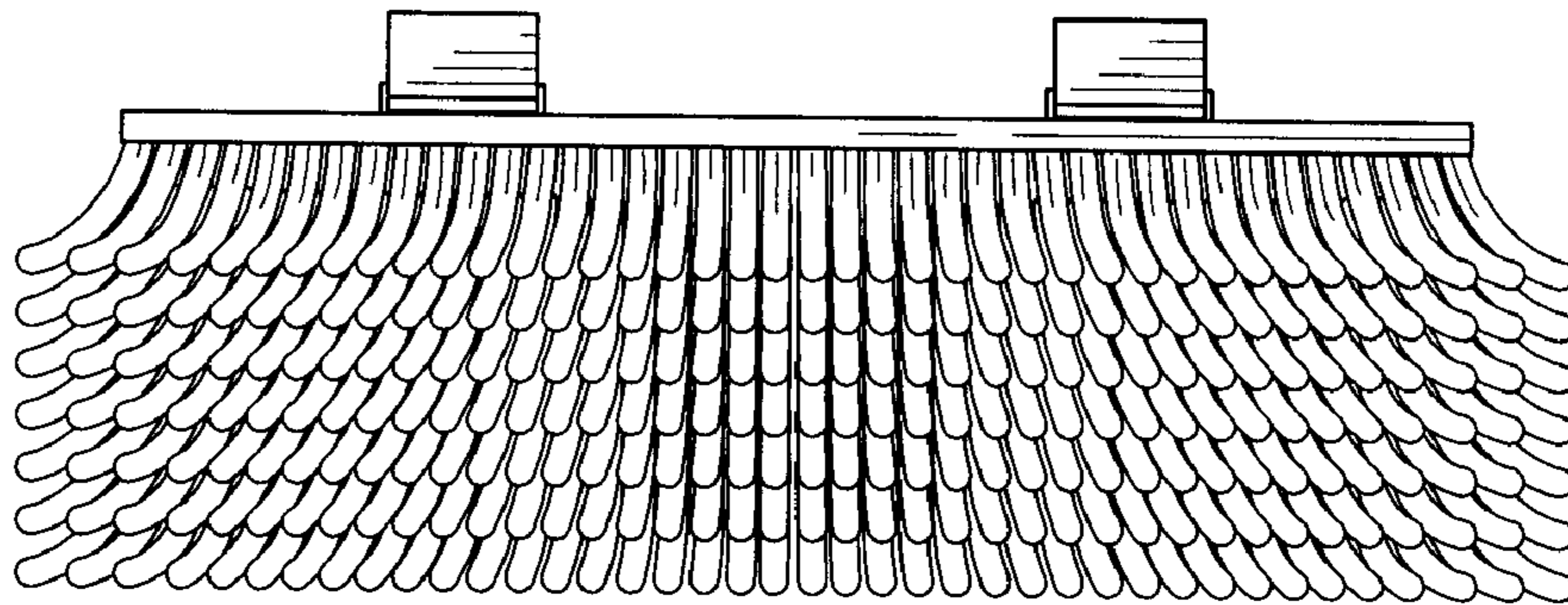


Fig. 3

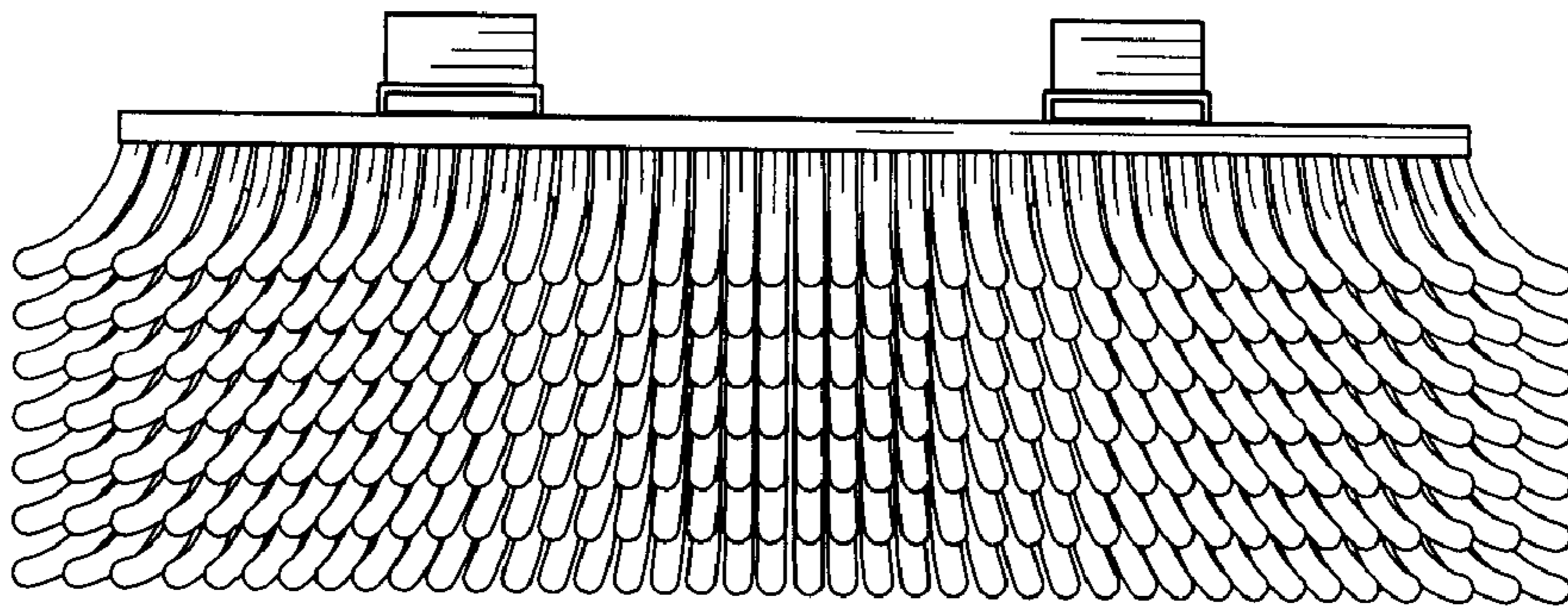


Fig. 4

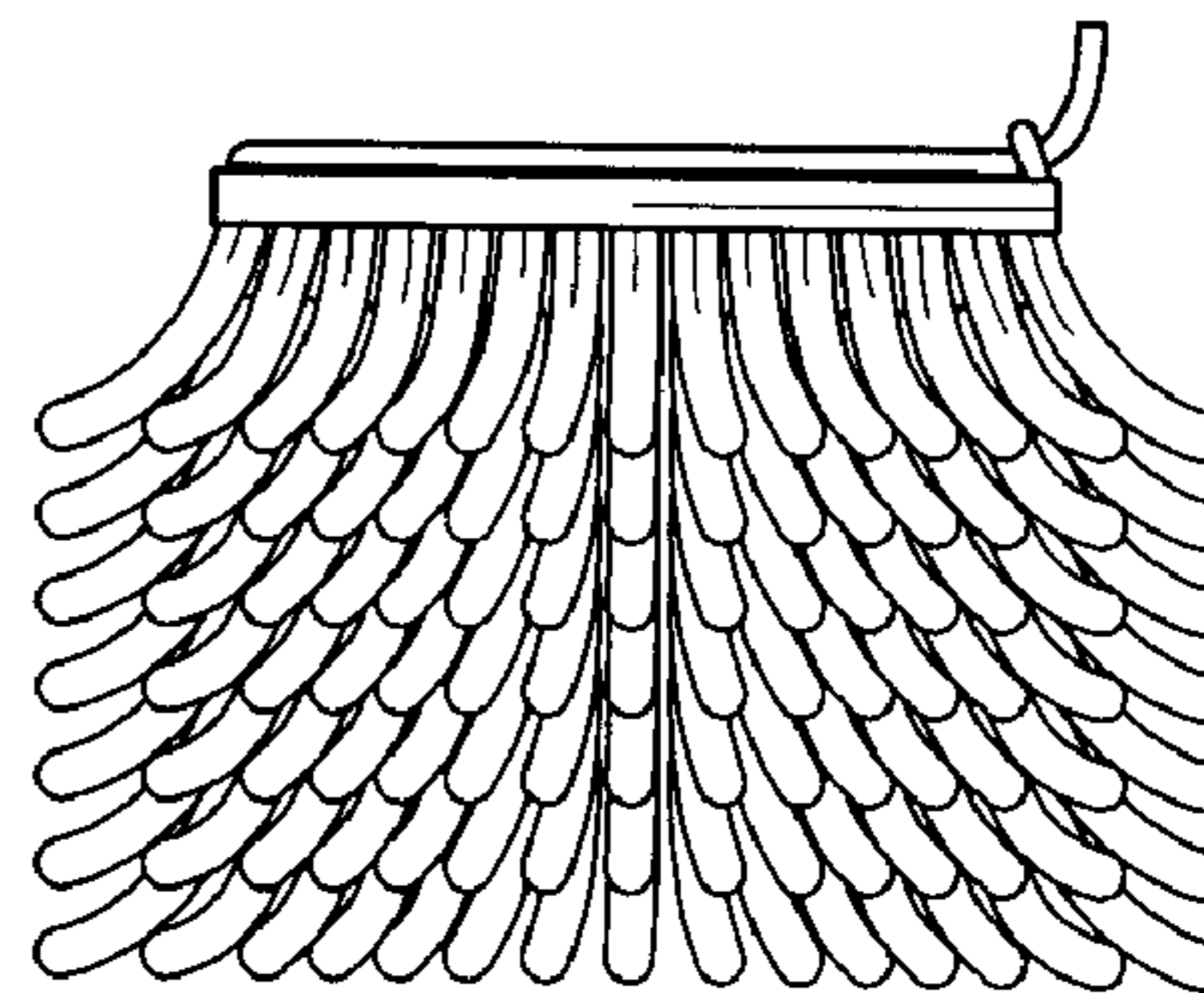


Fig. 5

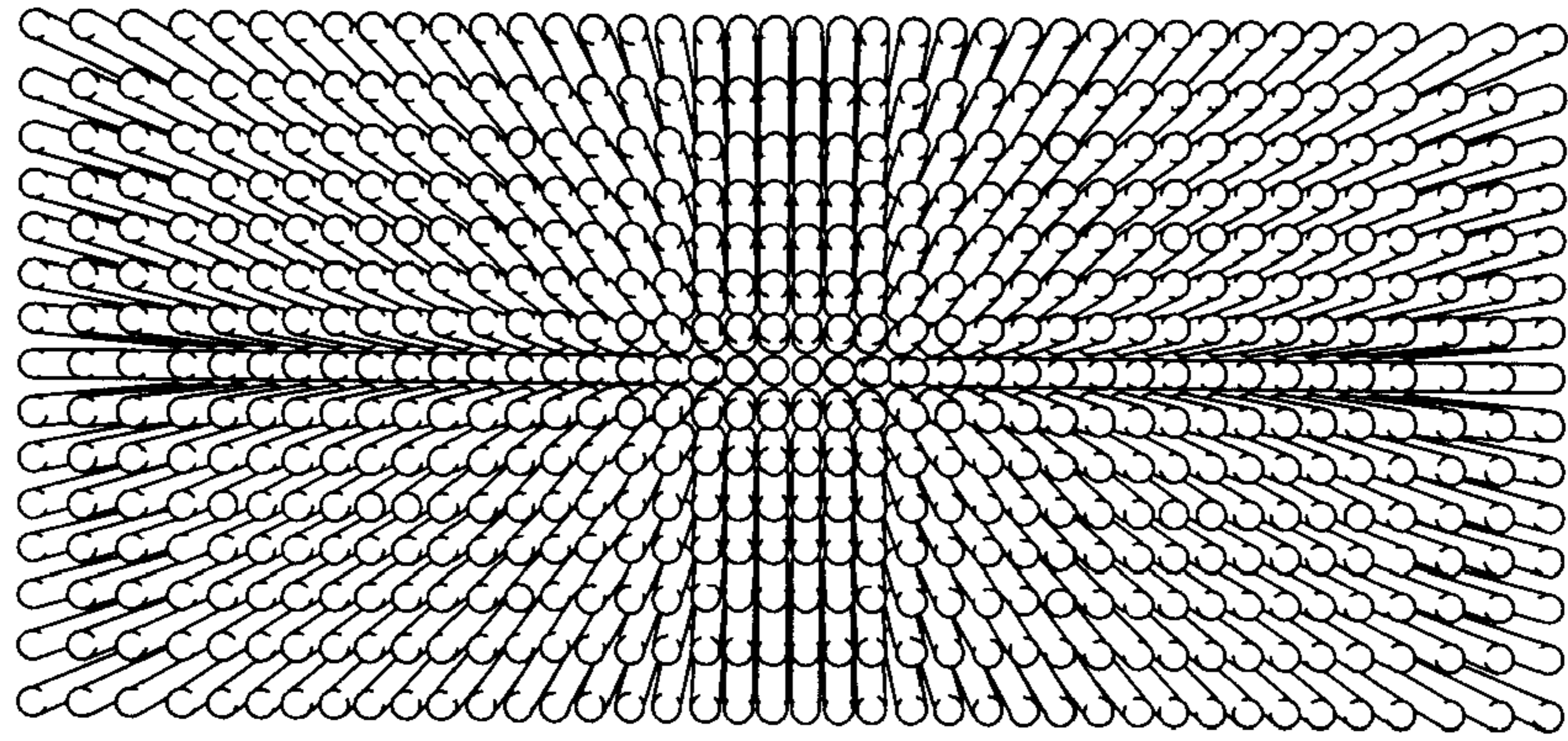


Fig. 6

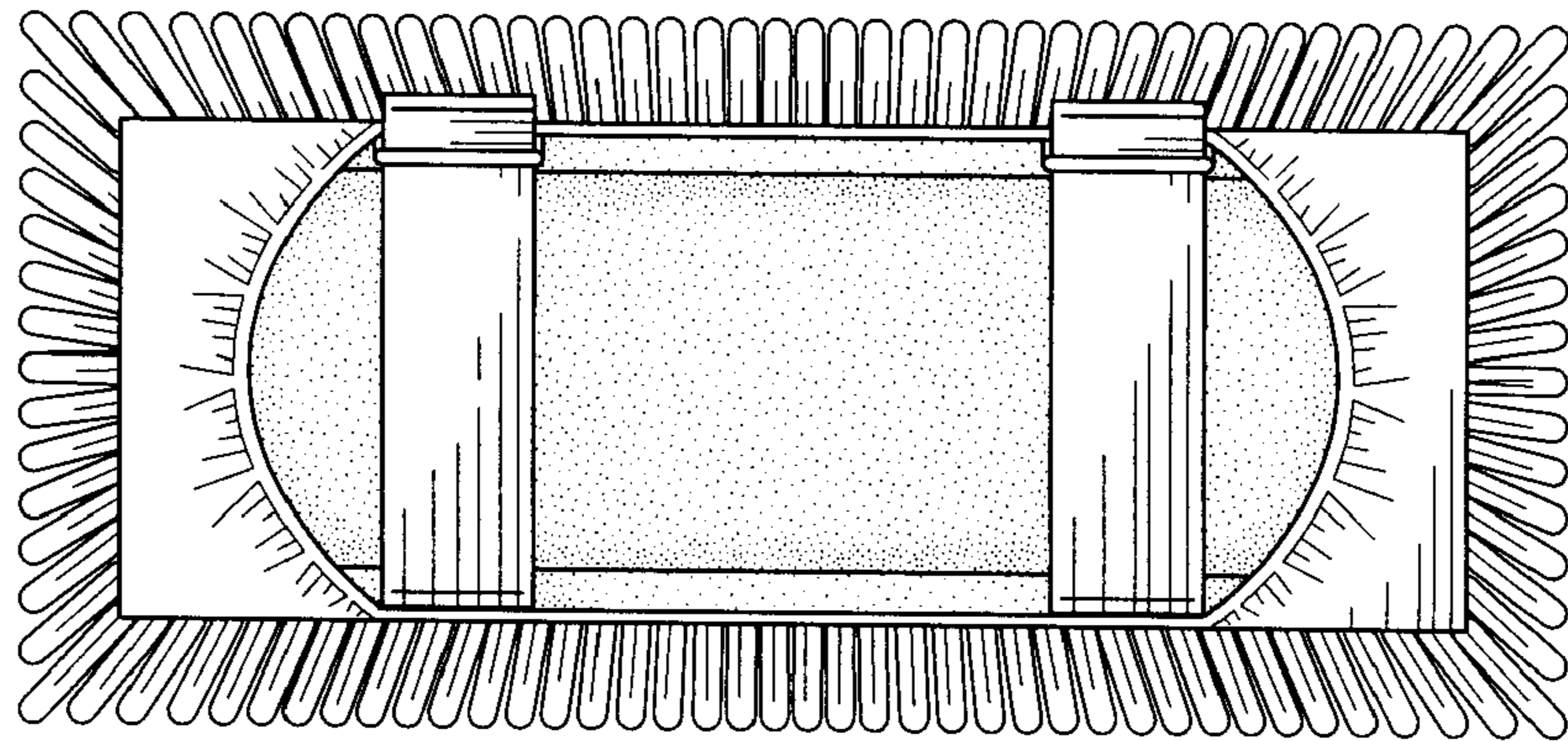


Fig. 7

