



US00D536175S

(12) **United States Design Patent Grant**

(10) **Patent No.: US D536,175 S**

(45) **Date of Patent: \*\* Feb. 6, 2007**

(54) **APPLICATOR DEVICE**

4,580,588 A \* 4/1986 Swope, Jr. .... 132/311

(75) Inventor: **Bradford Grant**, Bridgewater, NJ (US)

FOREIGN PATENT DOCUMENTS

(73) Assignee: **Warner-Lambert Company**, Morris Plains, NJ (US)

GB 2330523 A \* 4/1999  
JP 2003024140 A \* 1/2003  
WO WO 9009122 A1 \* 8/1990

(\*\*) Term: **14 Years**

\* cited by examiner

(21) Appl. No.: **29/258,536**

*Primary Examiner*—Alan P. Douglas  
*Assistant Examiner*—Lavone D. Tabor

(22) Filed: **Apr. 24, 2006**

(74) *Attorney, Agent, or Firm*—Karen G. Horowitz; Darryl C. Little; Evan J. Federman

**Related U.S. Application Data**

(57) **CLAIM**

(63) Continuation of application No. 29/242,258, filed on Nov. 8, 2005, now abandoned, which is a continuation of application No. 29/230,170, filed on May 18, 2005, now abandoned, which is a continuation of application No. 29/203,623, filed on Apr. 16, 2004, now abandoned.

I claim the ornamental design for an applicator device, as shown and described.

(51) **LOC (8) Cl.** ..... **04-02**

**DESCRIPTION**

(52) **U.S. Cl.** ..... **D4/108; D4/114; D4/138**

FIG. 1 is a front perspective view of an applicator device; FIG. 2 is a side elevation view of the applicator device shown in FIG. 1;

(58) **Field of Classification Search** ..... D4/104–114,

D4/134, 136, 138; D9/695, 697, 723–726; D24/146, 147; D28/211, 214, 7, 20, 23, 63; 15/110, 143.1, 167.1, 167.2, 188, 207.2, DIG. 5; 132/308, 309, 311; 401/28, 143, 145, 149, 401/152, 156–158, 162, 183, 184, 186, 268, 401/270, 271, 278, 279, 282, 284, 286, 291; 601/139, 141

FIG. 3 is a front elevation view of the applicator device shown in FIG. 1;

FIG. 4 is a rear elevation view of the applicator device shown in FIG. 1;

FIG. 5 is a top view of the applicator device shown in FIG. 1; and,

FIG. 6 is a bottom view of the applicator device shown in FIG. 1.

See application file for complete search history.

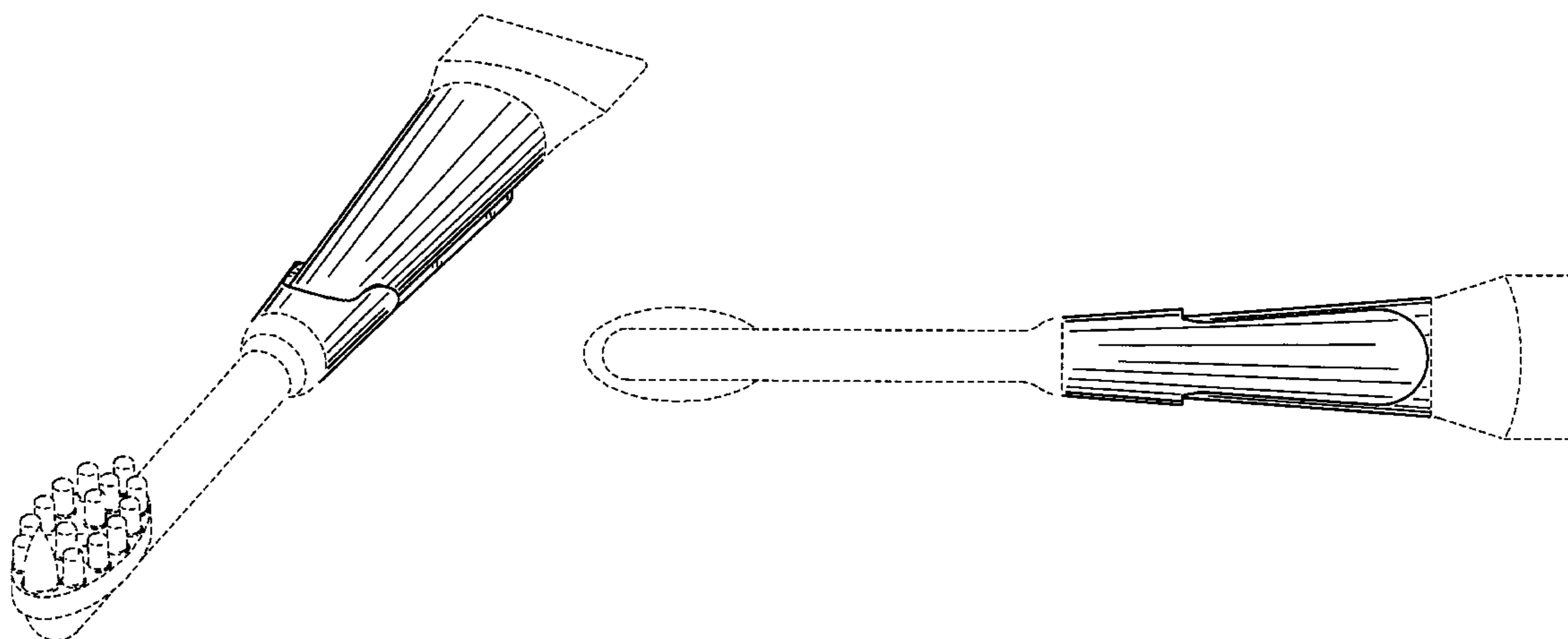
The ornamental design which is claimed is shown in solid lines in the drawings. The broken lines immediately adjacent the shaded areas represent the bounds of the claim and all of the broken lines are for illustrative purposes only. None of the broken lines form a part of the claimed design.

(56) **References Cited**

U.S. PATENT DOCUMENTS

1,764,130 A \* 6/1930 Vardeman ..... 401/271  
3,408,150 A \* 10/1968 Figa ..... 401/153

**1 Claim, 3 Drawing Sheets**





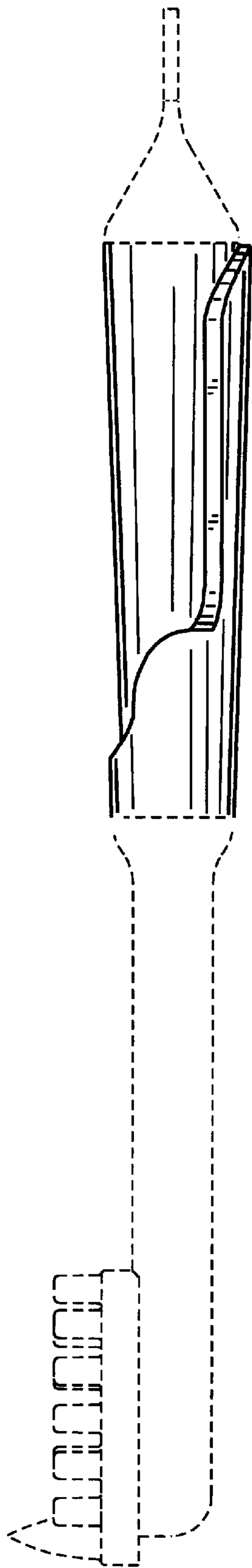


FIG. 2

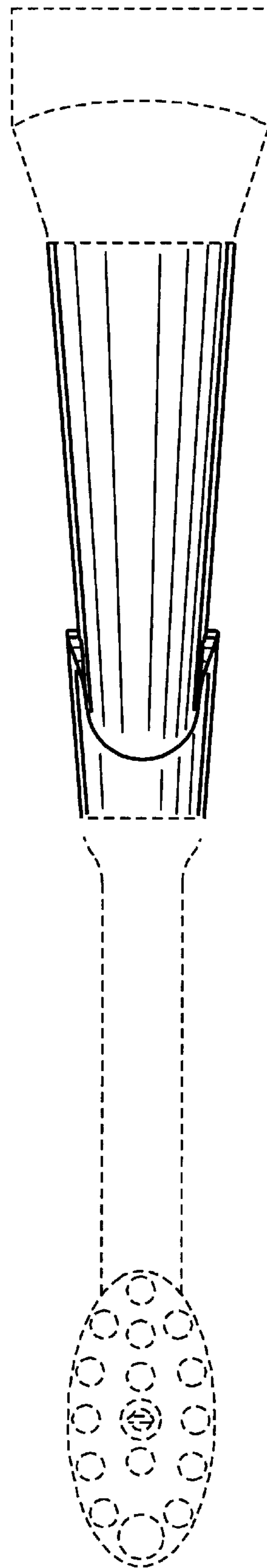


FIG. 3

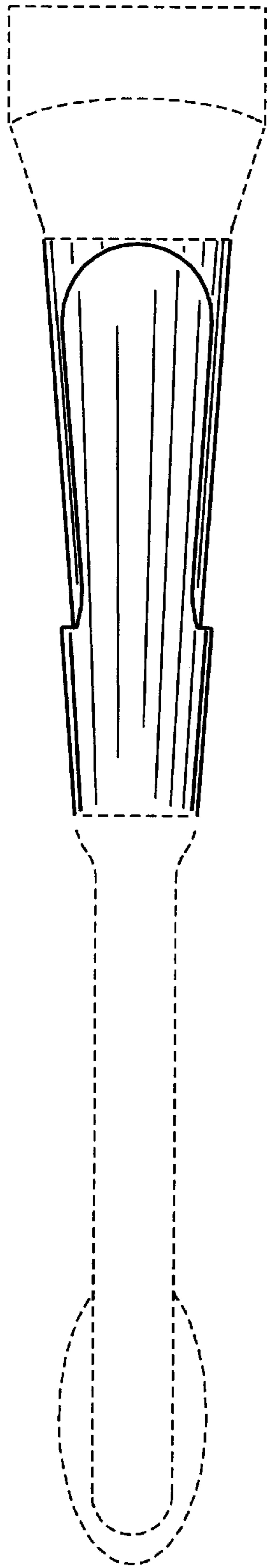


FIG. 4

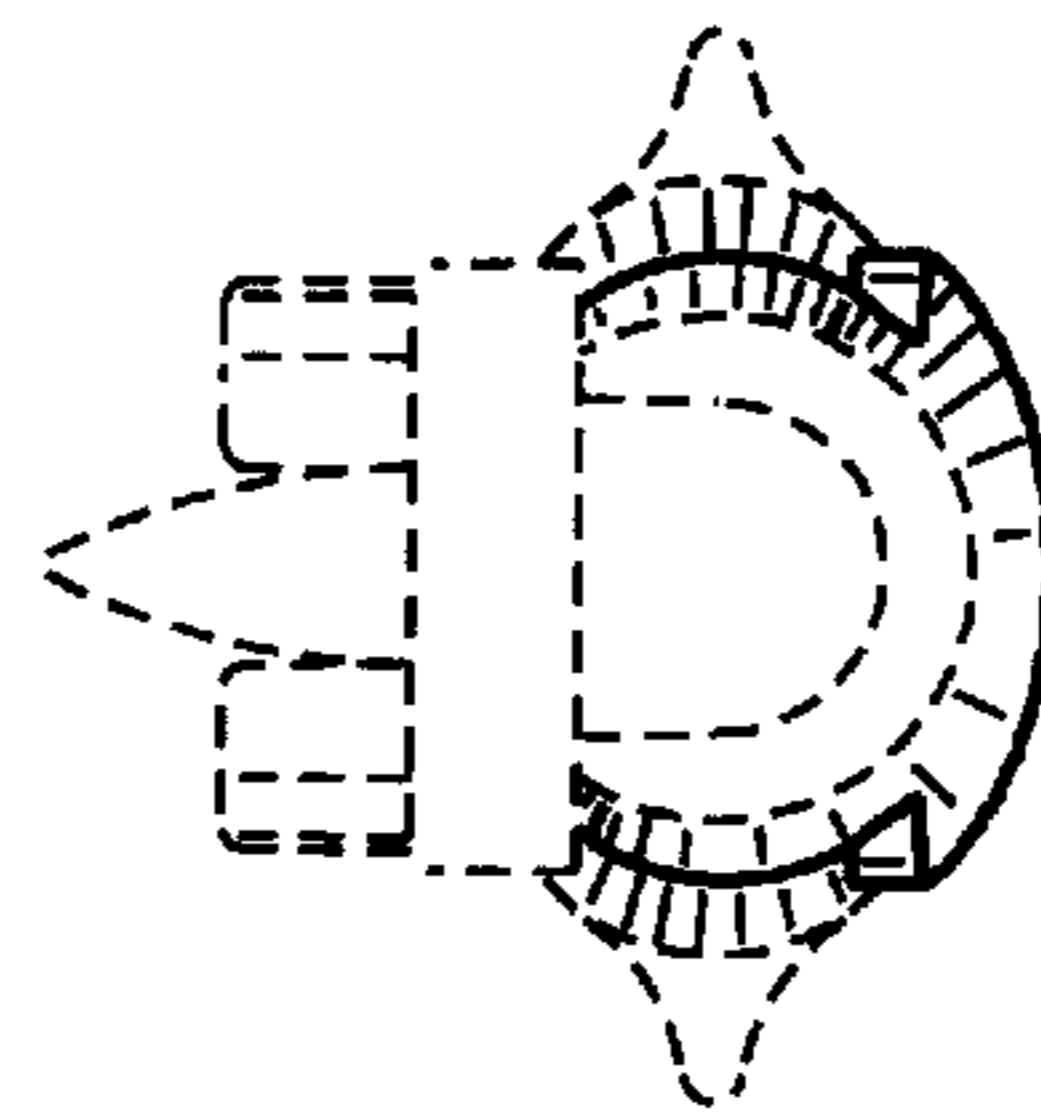


FIG. 5

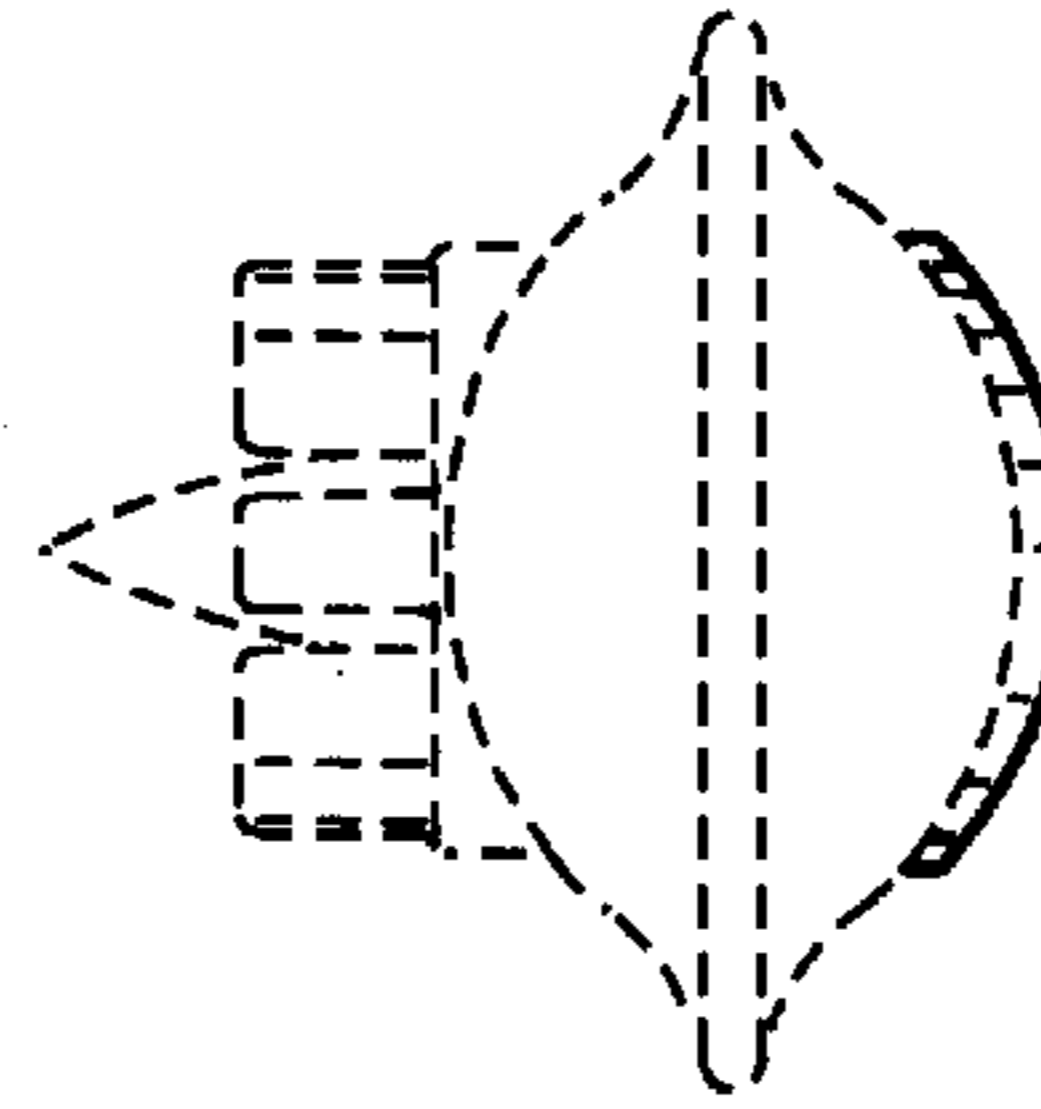


FIG. 6