



US00D536173S

(12) **United States Design Patent** (10) **Patent No.:** **US D536,173 S**  
**Hicks et al.** (45) **Date of Patent:** **\*\* Feb. 6, 2007**

(54) **LANYARD CONNECTOR SURFACE**

FOREIGN PATENT DOCUMENTS

(75) Inventors: **Bryan K. Hicks**, Salt Lake City, UT (US); **Brandon Robert Mackay**, Salt Lake City, UT (US)

DE	3837261	5/1990
EP	0 058 722 B1	2/1985
FR	2746933	10/1997
GB	891022	3/1962
GB	2268050	1/1994
JP	411-103910	8/1999

(73) Assignee: **Snuz USA, Inc.**, Salt Lake City, UT (US)

(\*\*) Term: **14 Years**

OTHER PUBLICATIONS

(21) Appl. No.: **29/259,457**

Snuz USA Product Catalog, Jan. 1997.  
Snuz USA Product Catalog, Jan. 1999.

(22) Filed: **May 8, 2006**

(Continued)

**Related U.S. Application Data**

*Primary Examiner*—Robert A. Delehanty  
(74) *Attorney, Agent, or Firm*—David B. Dellenbach

(60) Division of application No. 29/201,442, filed on Mar. 16, 2004, now Pat. No. Des. 520,241, which is a division of application No. 09/931,658, filed on Aug. 16, 2001, now Pat. No. 6,711,785, and a division of application No. 09/931,392, filed on Aug. 16, 2001, now abandoned, which is a continuation-in-part of application No. 09/541,297, filed on Apr. 3, 2000, now abandoned, which is a continuation-in-part of application No. 09/538,956, filed on Mar. 31, 2000, now abandoned, which is a continuation-in-part of application No. 29/106,139, filed on Jun. 9, 1999, now Pat. No. Des. 437,485, which is a continuation-in-part of application No. 29/105,931, filed on Jun. 4, 1999, now Pat. No. Des. 422,142, and a continuation-in-part of application No. 29/105,930, filed on Jun. 4, 1999, now Pat. No. Des. 426,063.

(57) **CLAIM**

The ornamental design for a lanyard connector surface, as shown and described.

(51) **LOC (8) Cl.** ..... **03-99**

(52) **U.S. Cl.** ..... **D3/318**

(58) **Field of Classification Search** ..... D3/328,  
D3/318; 24/13, 288, 628, 639, 336, 265 EC,  
24/265 H, DIG. 22; 294/26, 149

**DESCRIPTION**

FIG. 1 is a perspective view of a lanyard connector surface of the present invention;  
FIG. 2 is a top plan view of the lanyard connector surface of the present invention;  
FIG. 3 is a bottom plan view of the lanyard connector surface of the present invention;  
FIG. 4 is a rear end view of the lanyard connector surface of the present invention;  
FIG. 5 is a front end view of the lanyard connector surface of the present invention; and,  
FIG. 6 is a side view of the lanyard connector surface of the present invention, the opposing side view being a mirror image thereof.

See application file for complete search history.

The objects shown in broken lines are shown for environmental purposes only and form no part of the claimed design.

(56) **References Cited**

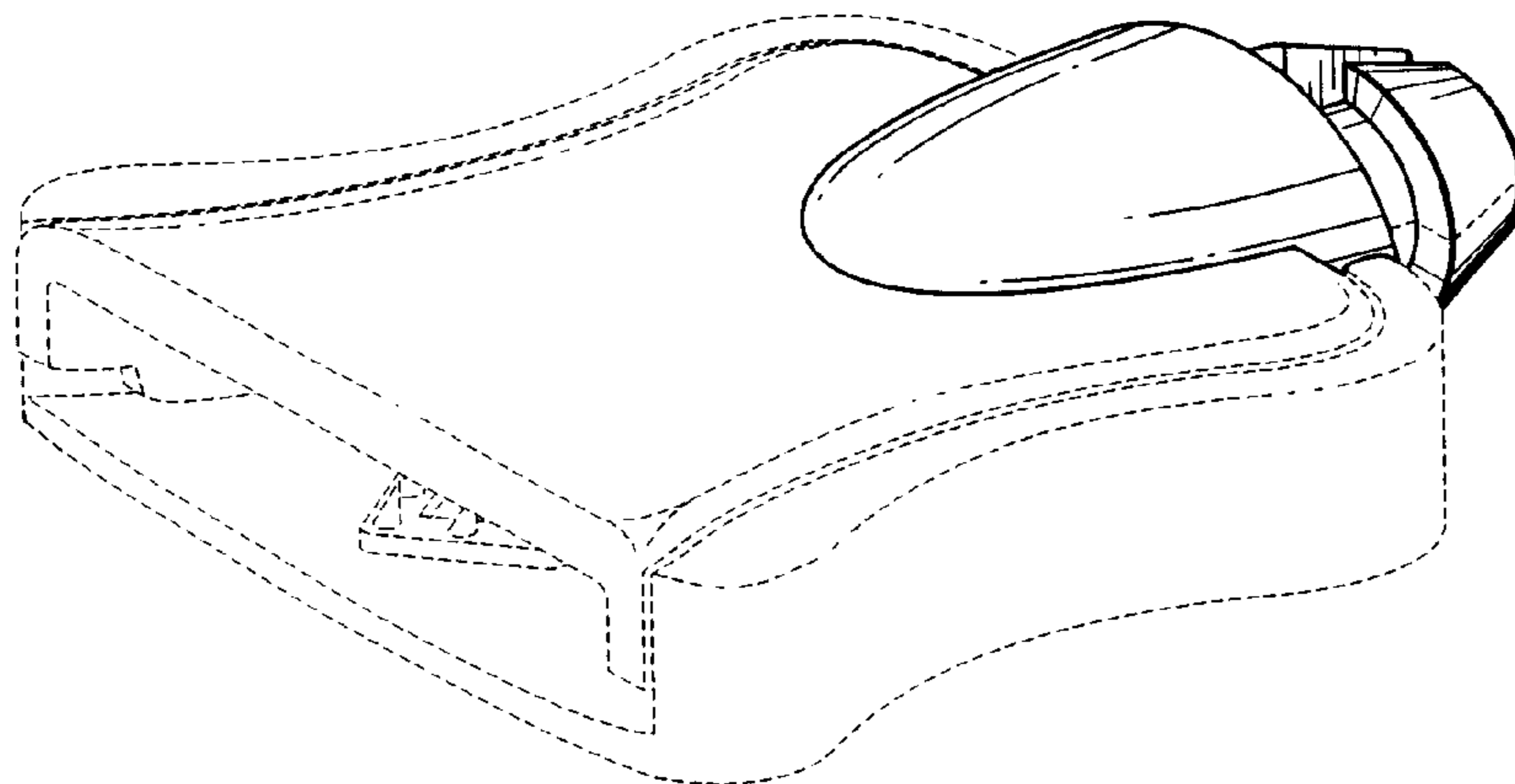
U.S. PATENT DOCUMENTS

658,124 A	9/1900	Seiple	.....	D3/318
664,814 A	12/1900	Mancs	.....	D3/318
751,090 A	2/1904	Marold	.....	D3/318
967,664 A	8/1910	Peterson		

All of the material from the parent applications that is essential to the claimed design is included herein. Any material in the parent applications that is not present herein forms no part of the claimed design.

(Continued)

**1 Claim, 1 Drawing Sheet**



U.S. PATENT DOCUMENTS

1,130,438 A 3/1915 Schmidt ..... 24/598.1  
1,565,392 A 12/1925 Powers ..... 24/265 H  
1,879,991 A 9/1932 Pratt ..... 24/115 G  
2,412,895 A 12/1946 Lewis ..... 87/8  
2,481,946 A 9/1949 Pendleton ..... 351/157  
2,539,922 A 1/1951 Nyberg ..... 351/157  
2,585,089 A 2/1952 Caldwell et al. .... 24/559  
2,704,961 A 3/1955 Well ..... 351/157  
2,947,456 A 8/1960 Seron ..... 224/258  
3,397,026 A 8/1968 Spina ..... 351/157  
3,450,467 A 6/1969 Phillips ..... 351/157  
3,502,396 A 3/1970 Greenberg ..... 351/157  
3,551,963 A 1/1971 Mosher, Jr. et al. .... 24/618  
3,600,917 A 8/1971 Kroek ..... 70/459  
3,874,776 A 4/1975 Seron ..... 351/123  
3,879,804 A 4/1975 Lawrence ..... 24/3.4  
3,896,527 A 7/1975 Miller et al. .... 24/499  
3,957,237 A 5/1976 Campbell ..... 248/694  
3,979,795 A 9/1976 Seron ..... 24/3.3  
4,136,934 A 1/1979 Seron ..... 351/157  
4,319,384 A 3/1982 Horne ..... 24/3.6  
4,379,358 A 4/1983 Wibrow ..... 24/136 R  
4,387,490 A 6/1983 Blackburn et al. .... 24/200  
4,441,677 A 4/1984 Byerly ..... 248/74.3  
4,577,374 A 3/1986 Lii ..... 24/165  
4,586,499 A 5/1986 Kaletzky ..... 602/78  
4,692,970 A 9/1987 Anthony et al. .... 24/642  
4,694,544 A 9/1987 Chapman ..... 24/625  
D296,726 S 7/1988 Katz ..... D3/62  
4,788,755 A 12/1988 Kasai ..... 24/136 R  
4,790,646 A 12/1988 Seron ..... 351/156  
4,795,069 A 1/1989 Ferrill ..... 224/202  
4,868,954 A 9/1989 Kasai ..... 24/601.2  
4,909,298 A 3/1990 Langhart et al. .... 160/178.1 R  
4,932,362 A 6/1990 Birchmire, III et al. .... 119/772  
5,027,477 A 7/1991 Seron ..... 24/3.4  
5,121,865 A 6/1992 Howard ..... 24/253  
5,127,137 A 7/1992 Krauss ..... 24/265 R  
5,136,756 A 8/1992 Krauss ..... 24/265 H  
5,146,657 A 9/1992 Frano ..... 24/265 H  
5,148,582 A 9/1992 Dennis, Jr. .... 24/625  
5,191,363 A 3/1993 Smith et al. .... 351/62  
5,216,786 A 6/1993 Anscher ..... 24/200  
5,224,245 A 7/1993 Matoba ..... 24/115 G  
5,274,887 A 1/1994 Fudaki ..... 24/265 H  
D347,766 S 6/1994 Kalat ..... D7/607  
5,365,642 A 11/1994 Rekuc et al. .... 24/600.9  
5,367,347 A 11/1994 Wilson et al. .... 35/156  
5,379,496 A 1/1995 Krauss ..... 24/625  
5,393,254 A 2/1995 Ducheshe ..... 441/118  
5,414,903 A 5/1995 Porteous ..... 24/9  
5,454,140 A 10/1995 Murai ..... 241/136 R  
5,471,716 A 12/1995 Takahashi ..... 24/615  
5,475,901 A 12/1995 Anscher ..... 24/265 H  
5,477,593 A 12/1995 Leick ..... 24/712.5  
5,507,460 A 4/1996 Schneider ..... 248/225.21  
5,561,891 A 10/1996 Hsieh ..... 24/581.1  
5,566,428 A 10/1996 Takahashi ..... 24/265  
5,582,337 A 12/1996 McPherson et al. .... 24/660  
D381,805 S 8/1997 Case ..... D3/229  
D381,891 S 8/1997 Anscher ..... D8/383  
5,664,712 A 9/1997 Smrt ..... 224/250  
5,669,119 A 9/1997 Seron ..... 24/265 H  
5,671,508 A 9/1997 Murai ..... 24/115 K  
5,689,860 A 11/1997 Matoba et al. .... 24/115 F  
5,740,952 A 4/1998 Huckenbeck ..... 224/271  
D394,548 S 5/1998 Lee ..... D3/221  
5,772,090 A 6/1998 Rodriguez ..... 224/251

5,832,573 A 11/1998 Howell ..... 24/664  
5,842,256 A 12/1998 Anscher ..... 24/3.4  
5,855,057 A 1/1999 Anscher ..... 24/614  
D405,723 S 2/1999 Anscher ..... D11/216  
D405,724 S 2/1999 Anscher ..... D11/216  
D405,725 S 2/1999 Anscher ..... D11/216  
5,893,199 A 4/1999 Anscher ..... 24/625  
5,894,639 A 4/1999 Boden et al. .... 24/115 G  
5,930,874 A 8/1999 Yamazaki et al. .... 24/429  
5,933,925 A 8/1999 Anscher et al. .... 24/163 R  
5,974,637 A 11/1999 Tracy et al. .... 24/633  
6,000,109 A 12/1999 Anscher ..... 24/614  
6,003,928 A 12/1999 Curtindale ..... 296/97.9  
D420,800 S 2/2000 Hicks et al. .... D3/318  
6,029,850 A 2/2000 Pate et al. .... 221/64  
D422,142 S 4/2000 Hicks et al. .... D3/318  
6,044,527 A 4/2000 Ishida et al. .... 24/129 R  
D426,063 S 6/2000 Hicks et al. .... D3/318  
6,161,266 A 12/2000 Anscher ..... 24/625  
D437,485 S 2/2001 Hicks et al. .... D3/318  
6,182,334 B1 2/2001 Davancens ..... 24/3.3  
6,209,176 B1 4/2001 Anscher ..... 24/429  
6,226,844 B1 5/2001 Lerra et al. .... 24/625  
6,711,785 B1 3/2004 Hicks et al. .... 24/3.4  
2002/0148078 A1 10/2002 Salentine et al. .... 24/115  
2003/0033697 A1 2/2003 Hicks et al. .... 24/615

OTHER PUBLICATIONS

Snugz USA Product Catalog, Jan. 2000.  
Fields 2000 Collection Eyewear and Outdoor Accessories & Gifts, available on information and belief, at least as early as Jan. 2000.  
Duraflex 2000 Brochure, National Molding Corporation, Copyright 1999.  
U.S. Provisional Patent Application to Hicks, et al., U.S. Appl. No. 60/088,262, filed Jun. 5, 1998.  
Snugz USA, Inc. Website, dated Oct. 3, 2000.  
EK Ekcessories, Inc. Website, dated Apr. 4, 2000.  
Photographs (taken Oct. 2000) of lanyard, on information and belief, sold after Jun. 1998 and prior to Mar. 31, 2000, with attachment member selectively coupled thereto.  
Disclosure Relating to Lanyards and Attachments Sold, on information and belief, prior to Mar. 1999, pp. 1–2.  
Page 6/14, demonstrating, on information and belief, slide attachment and lanyard connector referred to in Disclosure Relating to Lanyards and Attachments Sold, pp. 1–2, which were sold, on information and belief, prior to Mar. 1999.  
U.S. Design Patent Application to Hicks, et al., U.S. Appl. No. 29/105,931, filed Jun. 4, 1999.  
Notice of Allowance for U.S. Design Patent Application to Hicks, et al., U.S. Appl. No. 29/105,931, filed Jun. 4, 1999.  
U.S. Design Patent Application to Hicks, et al., U.S. Appl. No. 29/105,930, filed Jun. 4, 1999.  
Notice of Allowance for U.S. Design Patent Application to Hicks, et al., U.S. Appl. No. 29/105,930, filed Jun. 4, 1999.  
Snugz USA Product Catalog, 2002.  
U.S. Design Patent Application to Hicks, et al., U.S. Appl. No. 29/105,139, filed Jun. 9, 1999.  
Notice of Allowance for U.S. Design Patent Application to Hicks, et al., U.S. Appl. No. 29/106,139, filed Jun. 9, 1999.  
Amendment “A,” pp. 1, 8, Remarks, Disclosures relating to lanyards sold on information and belief, prior to Mar. 1999, filed in U.S. Appl. No. 09/931,658.  
U.S. Appl. No. 09/541,297, filed Apr. 3, 2000 in the U.S. Patent and Trademark Office.

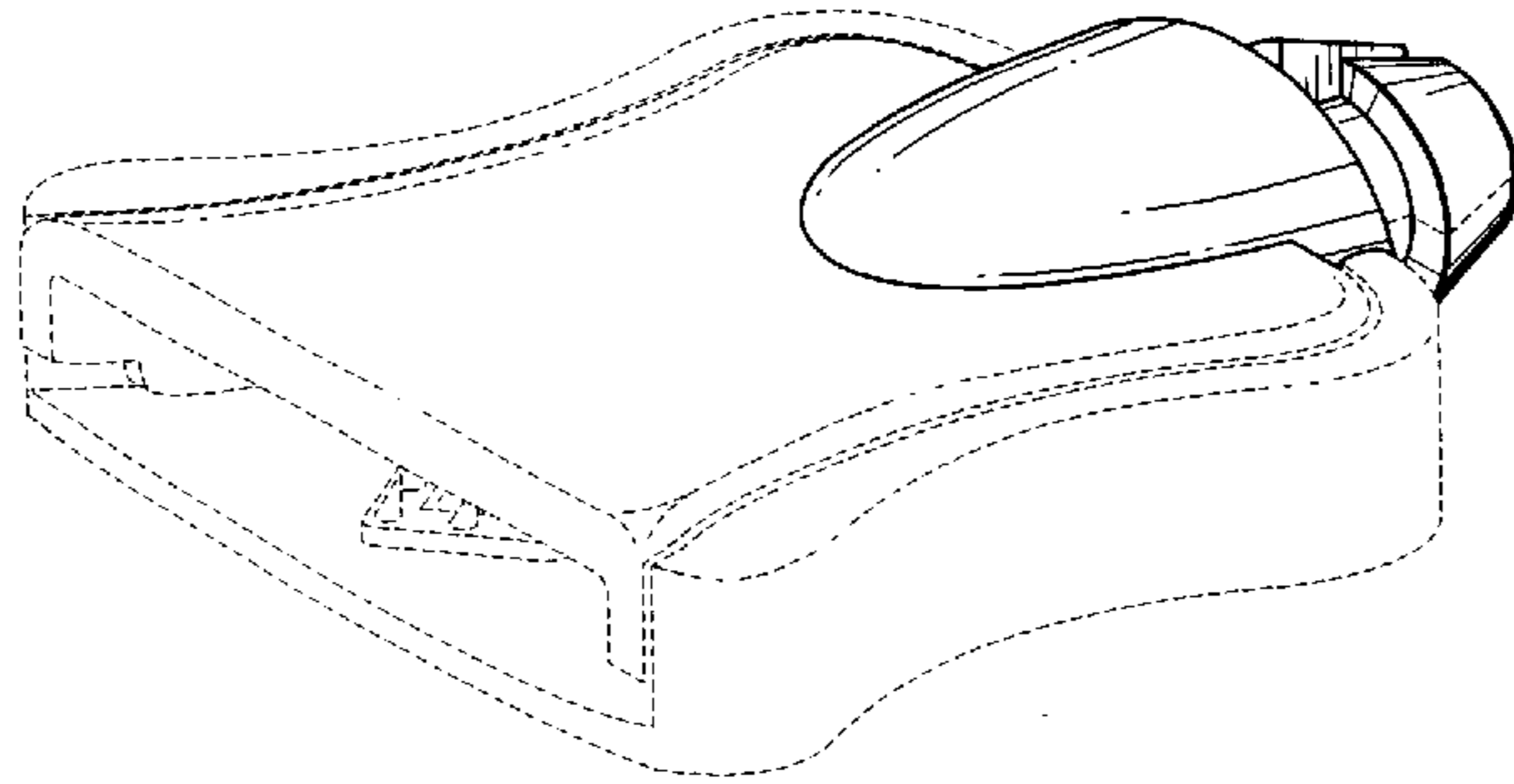


FIG. 1

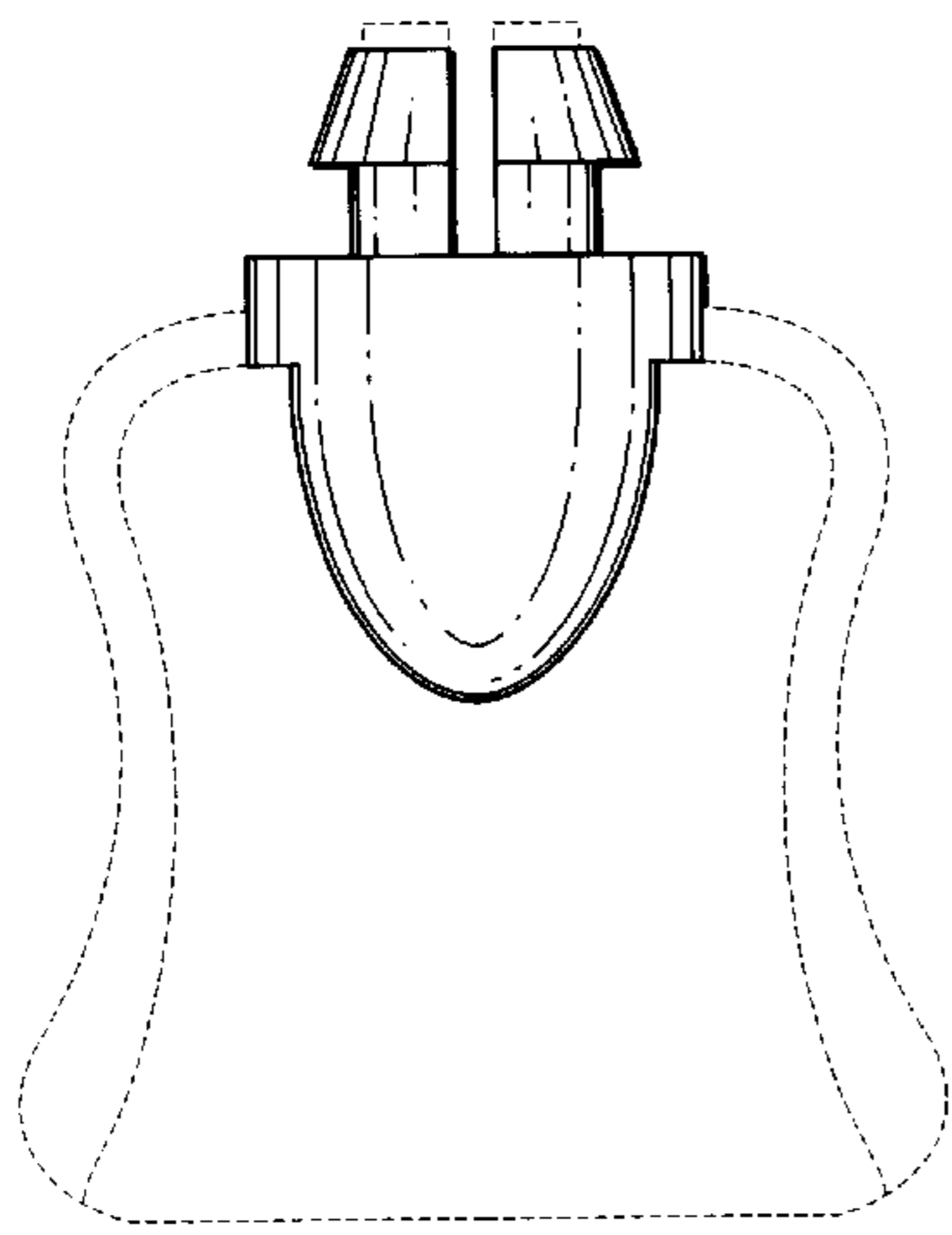


FIG. 2

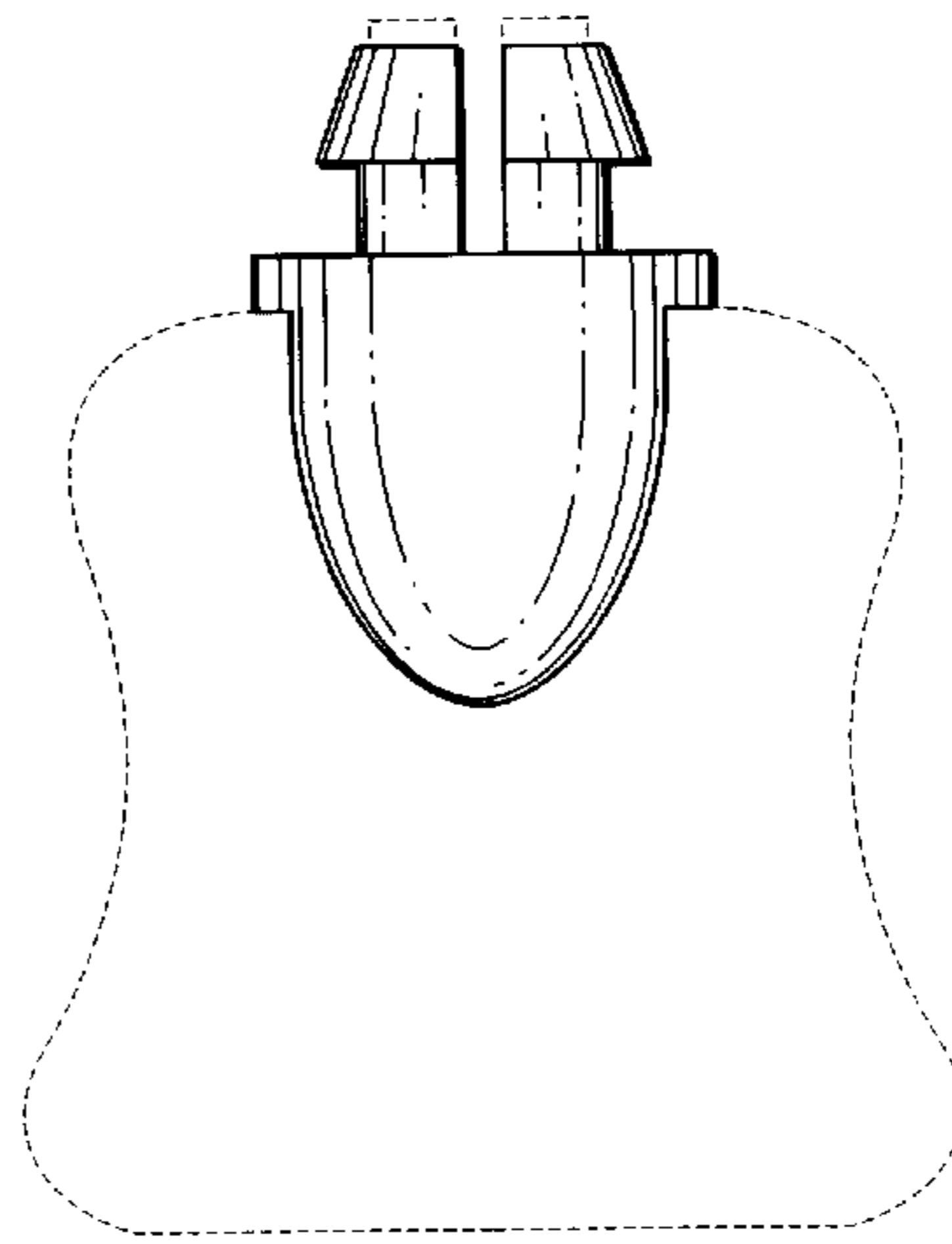


FIG. 3

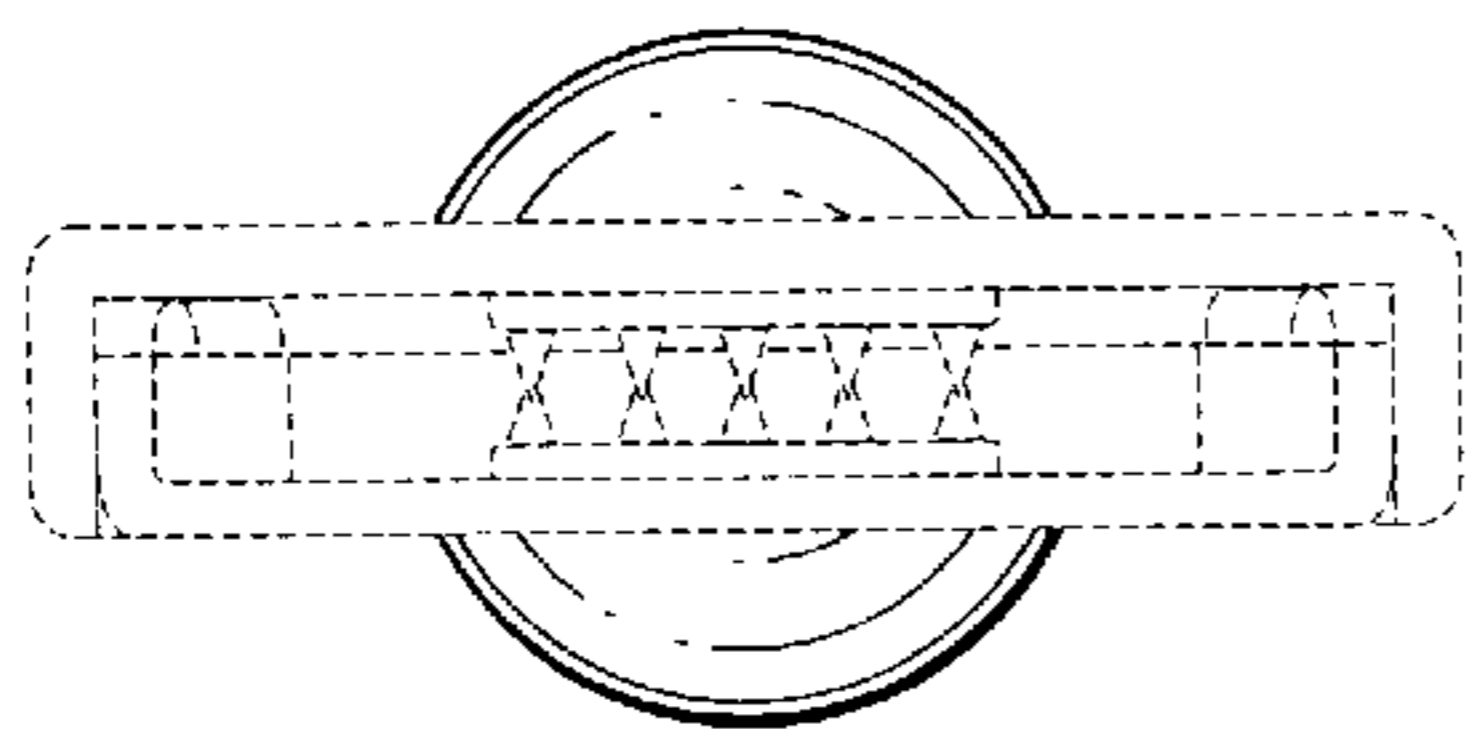


FIG. 4

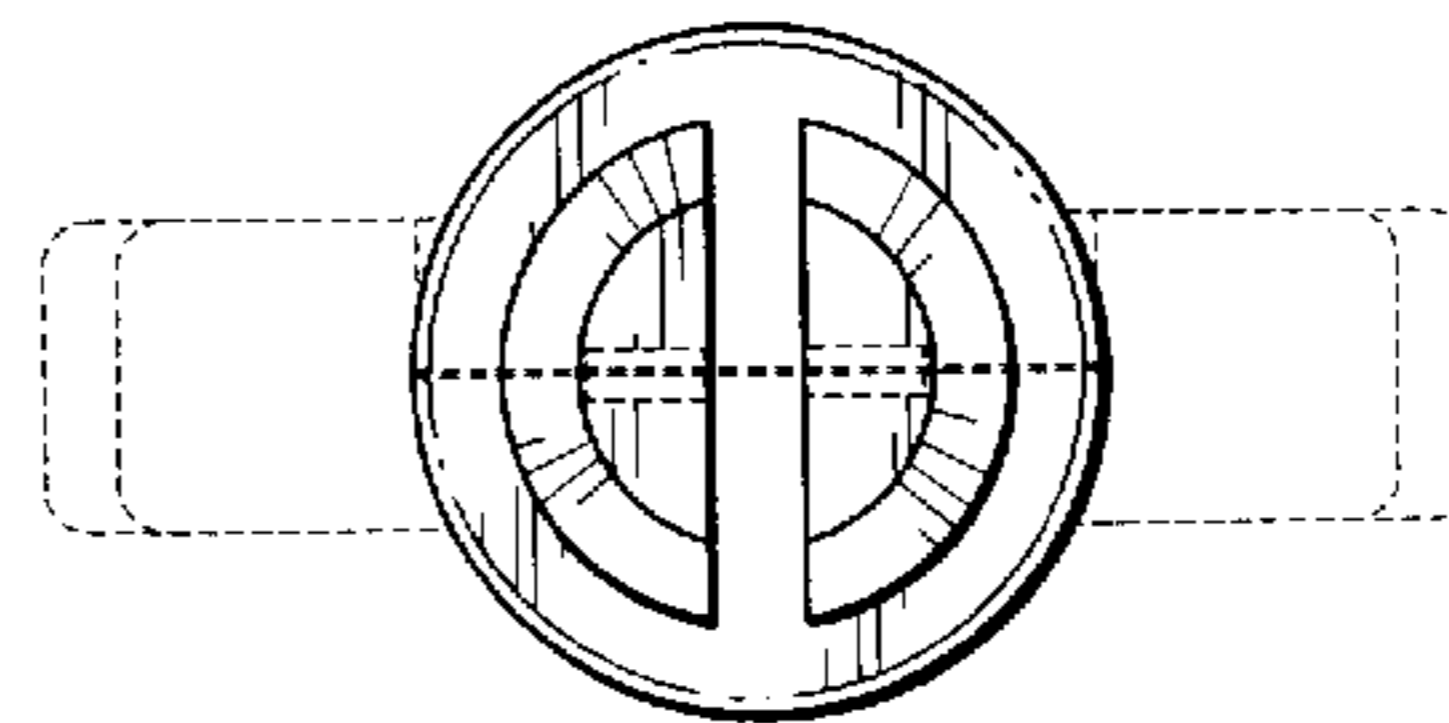


FIG. 5

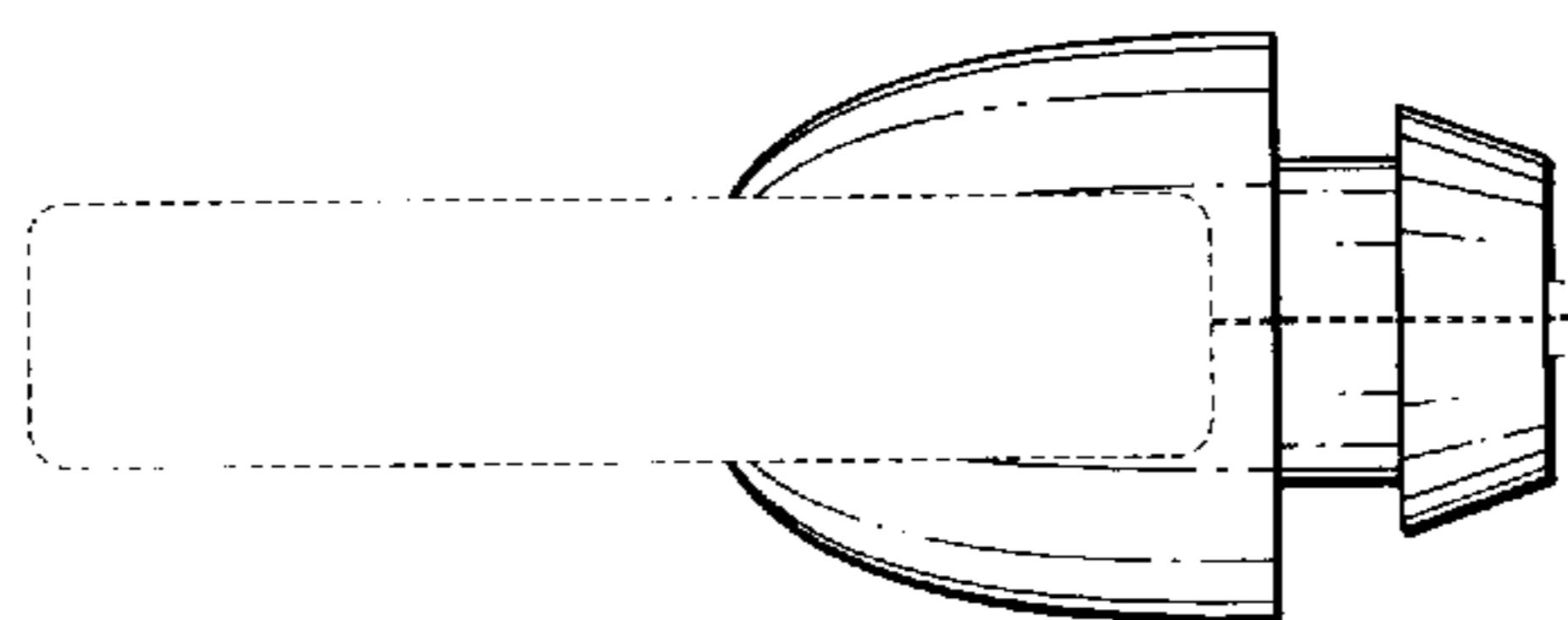


FIG. 6