



US00D536171S

(12) **United States Design Patent** (10) **Patent No.:** **US D536,171 S**
Dong (45) **Date of Patent:** **** *Feb. 6, 2007**

(54) **CONTAINER**

(75) Inventor: **Jane Dong**, Fort Lee, NJ (US)

(73) Assignee: **XM International, Inc.**, Seattle, WA (US)

(*) Notice: This patent is subject to a terminal disclaimer.

(**) Term: **14 Years**

(21) Appl. No.: **29/232,687**

(22) Filed: **Jun. 22, 2005**

Related U.S. Application Data

(63) Continuation of application No. 29/193,036, filed on Oct. 31, 2003, now Pat. No. Des. 506,608.

(51) **LOC (8) Cl.** **03-01**

(52) **U.S. Cl.** **D3/276; D3/273**

(58) **Field of Classification Search** D3/272, D3/273, 274, 276, 281, 291, 294, 302; D32/53; D9/424; 206/349, 372, 373, 508; 220/771, 220/782, 784, 752, 773

See application file for complete search history.

(56) **References Cited**

U.S. PATENT DOCUMENTS

D232,152 S * 7/1974 Roper et al. D32/53

(Continued)

Primary Examiner—Philip S. Hyder

(74) *Attorney, Agent, or Firm*—Brandon N. Sklar; Kaye Scholer, LLP

(57) **CLAIM**

The ornamental design for a container, as shown and described.

DESCRIPTION

FIG. 1 is a top, front, and right side perspective view of a container in accordance with an embodiment of my inven-

tion, with a handle in an upright position and a triangular lid in a closed position in phantom, showing my design. The lid is not part of the claimed design.

FIG. 2 is a top elevational view of the container of FIG. 1. FIG. 3 is a front elevational view of the container of FIG. 1. FIG. 4 is a left side elevational view of the container of FIG. 1.

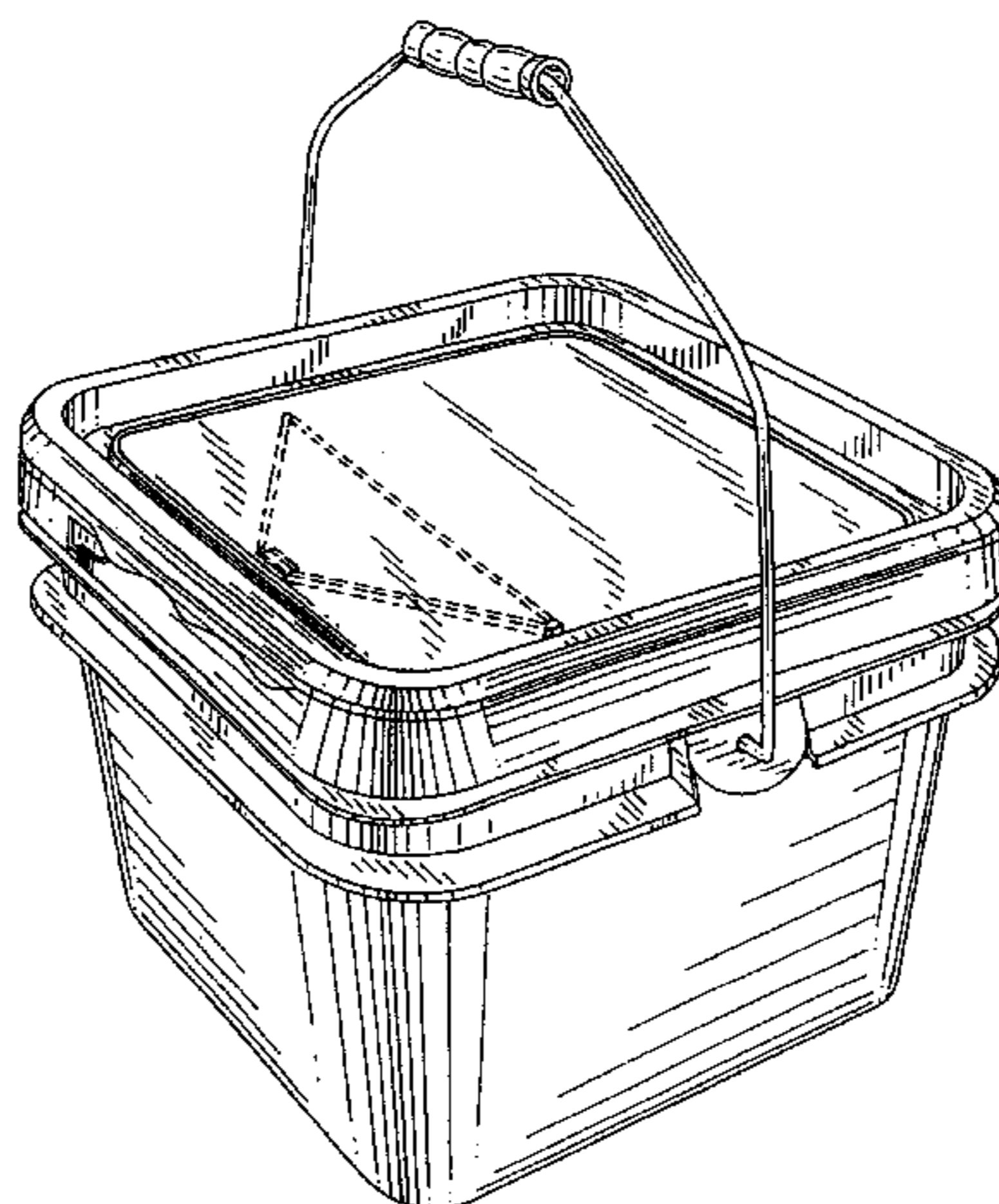
FIG. 5 is a rear elevational view of the container of FIG. 1. FIG. 6 is a bottom view of the container of FIG. 1.

FIG. 7 is a top, front, and right side perspective view of a container in accordance with a second embodiment of my invention. A handle shown in phantom, and a triangular lid in a closed position shown in phantom are not part of the claimed design. Except for the handle shown in phantom in FIG. 7, the top elevational view, front elevational view, left side elevational view, rear elevational view, and bottom view of the container of FIG. 7 are the same as in FIGS. 2, 3, 4, 5, and 6, respectively.

FIG. 8 is a top, front, and right side perspective view of a container in accordance with a third embodiment of my invention. A portion of a cover shown in phantom and covering a substantial portion of the top surface of the container and including a triangular lid in a closed position and in phantom, are not part of the claimed design.

FIG. 9 is a top elevational view of the container of FIG. 8. The front elevational view, left side elevational view, rear elevational view, and bottom view of the container of FIG. 8 are the same as in FIGS. 3, 4, 5, and 6, respectively; and, FIG. 10 is a top, front, and right side perspective view of a container in accordance with a fourth embodiment of my invention. A handle shown in phantom and a portion of a cover shown in phantom covering a substantial portion of the top surface of the container and including a triangular lid also shown in phantom and in a closed position, are not part of the claimed design. Except for the handle shown in phantom in FIG. 10, the top elevational view of the container of FIG. 10 is the same as in FIG. 9. Except for the handle shown in phantom in FIG. 10, the front elevational view, left side elevational view, rear elevational view, and bottom view of the container of FIG. 10 are the same as in FIGS. 3, 4, 5, and 6, respectively.

1 Claim, 10 Drawing Sheets



US D536,171 S

Page 2

U.S. PATENT DOCUMENTS

D233,218 S	*	10/1974	Elmer	D32/53	5,472,111 A	*	12/1995	Renfrew	220/570
3,866,791 A	*	2/1975	Roper et al.	220/770	5,641,090 A	*	6/1997	Kowalski et al.	220/782
D327,555 S	*	6/1992	Juergens	D34/1	D407,878 S	*	4/1999	Carlson	D32/53
D339,436 S	*	9/1993	Craft et al.	D32/53						

* cited by examiner

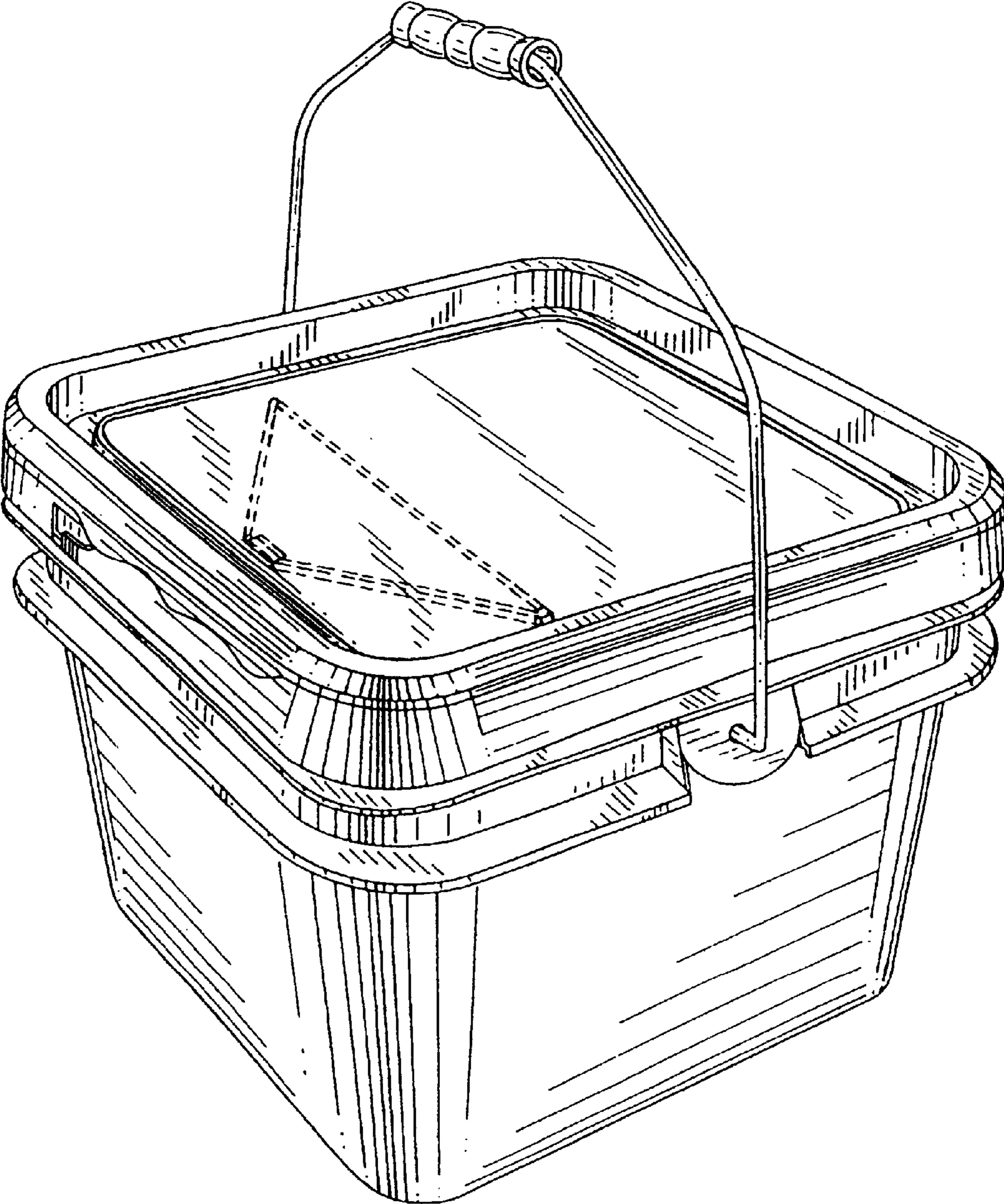


FIG. 1

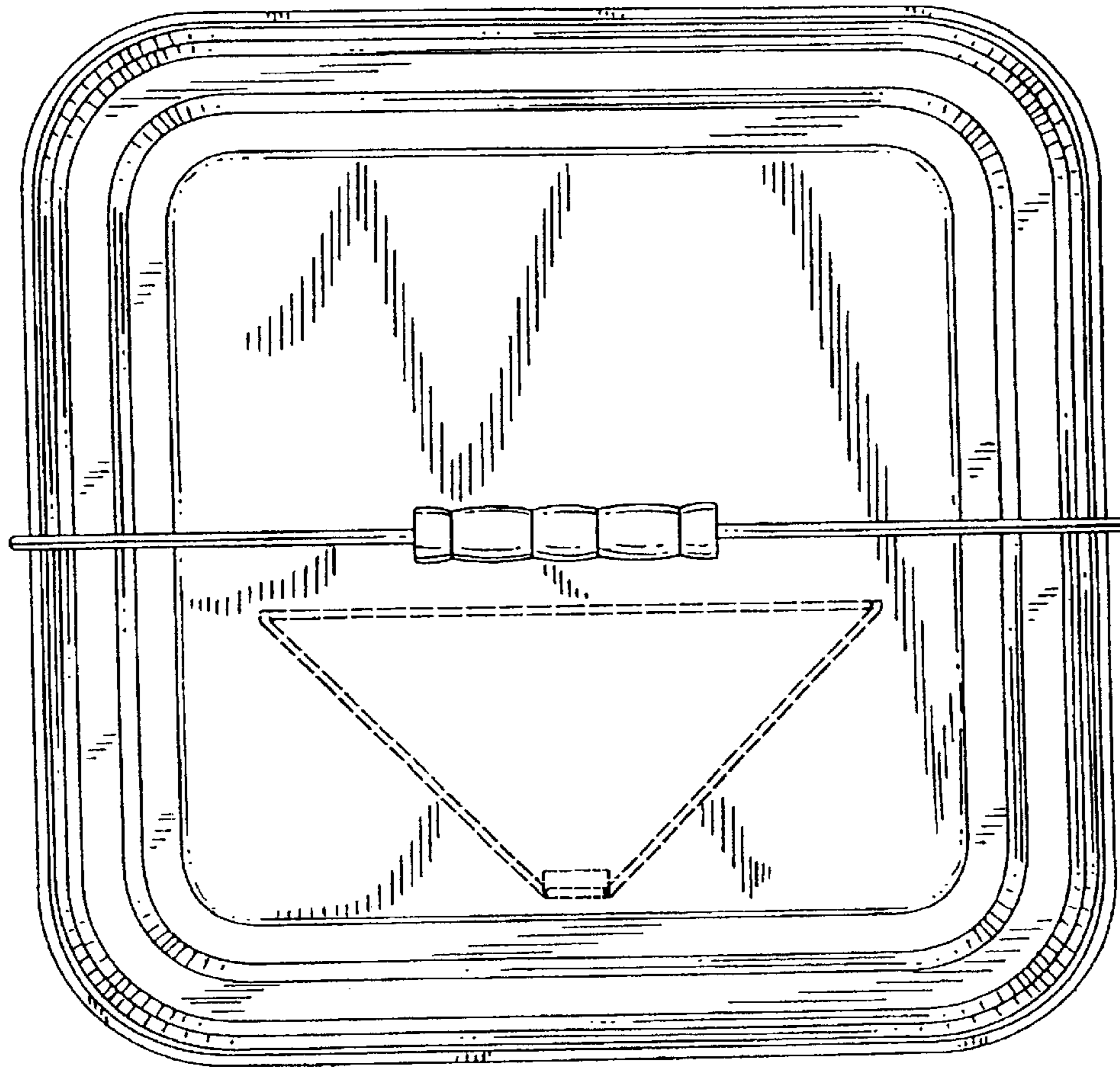


FIG. 2

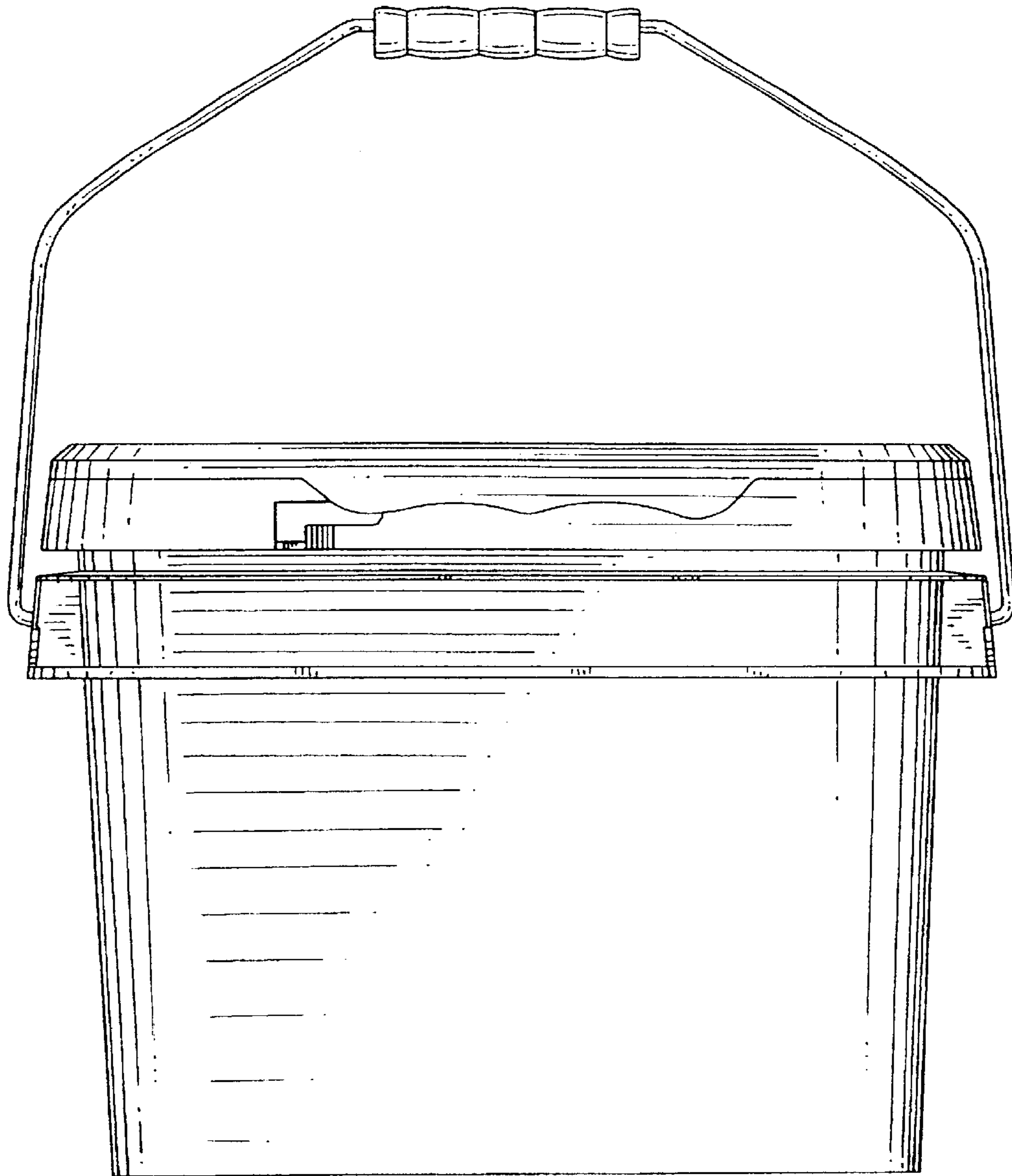


FIG. 3

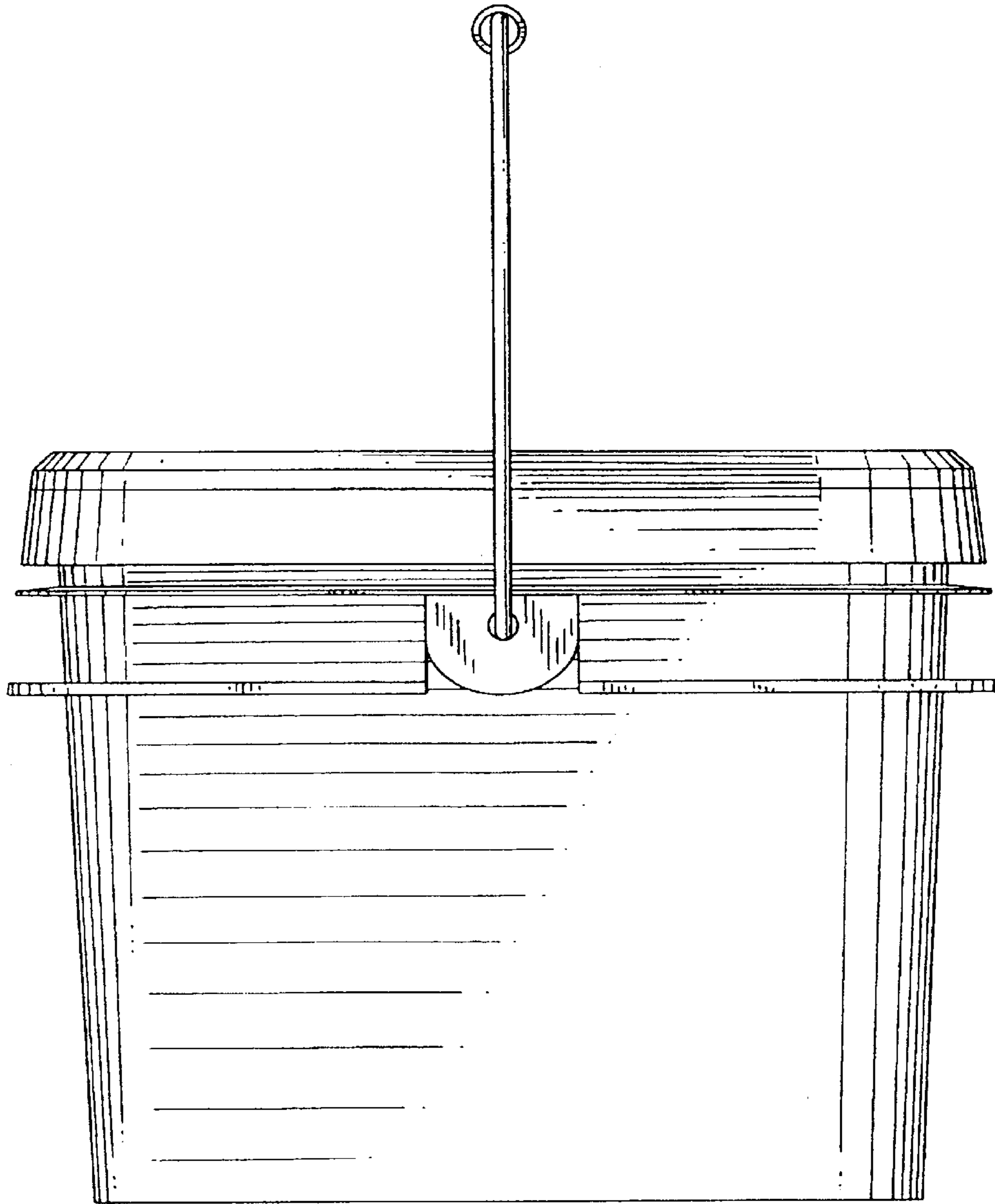


FIG. 4

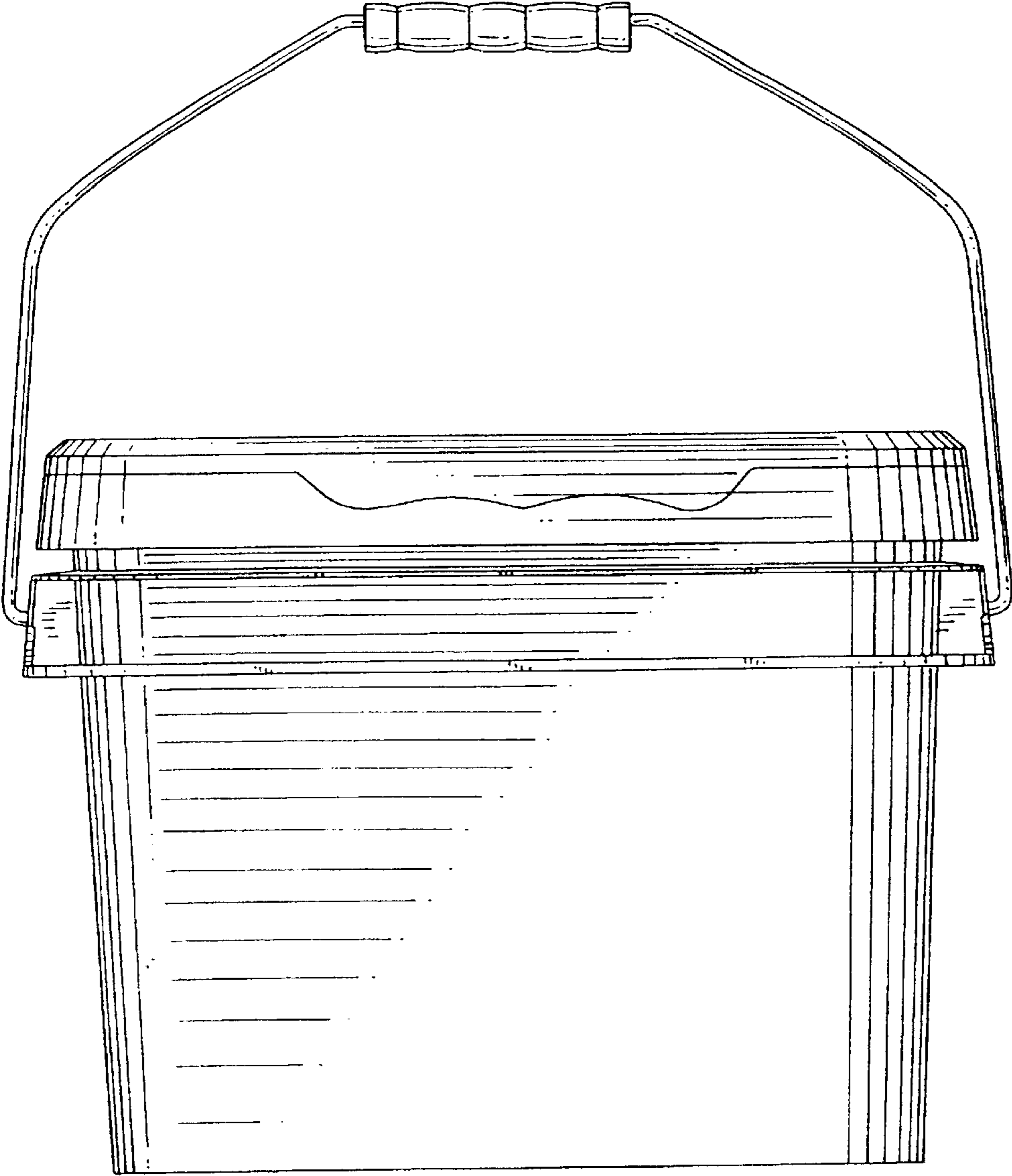


FIG. 5

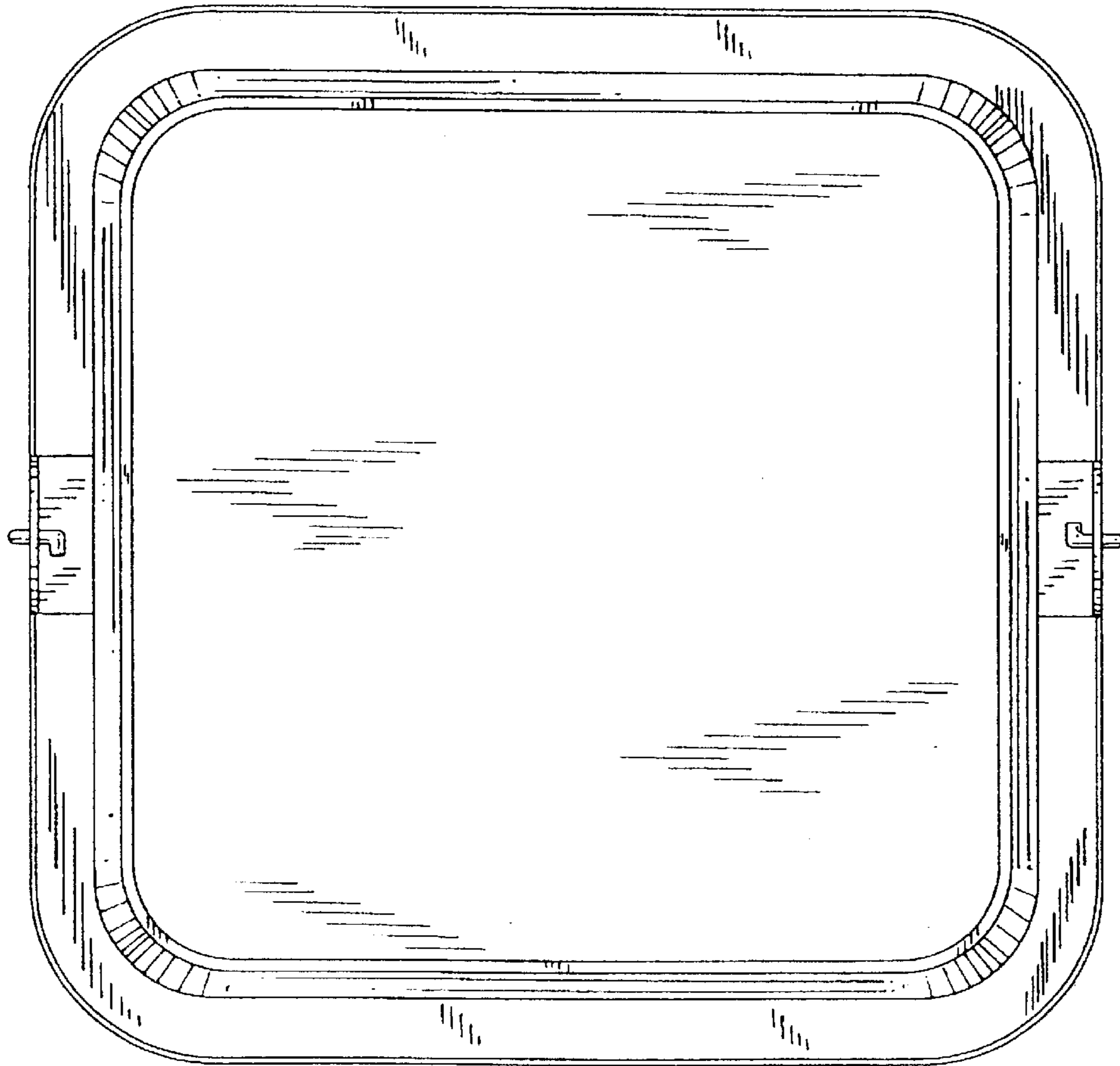


FIG. 6

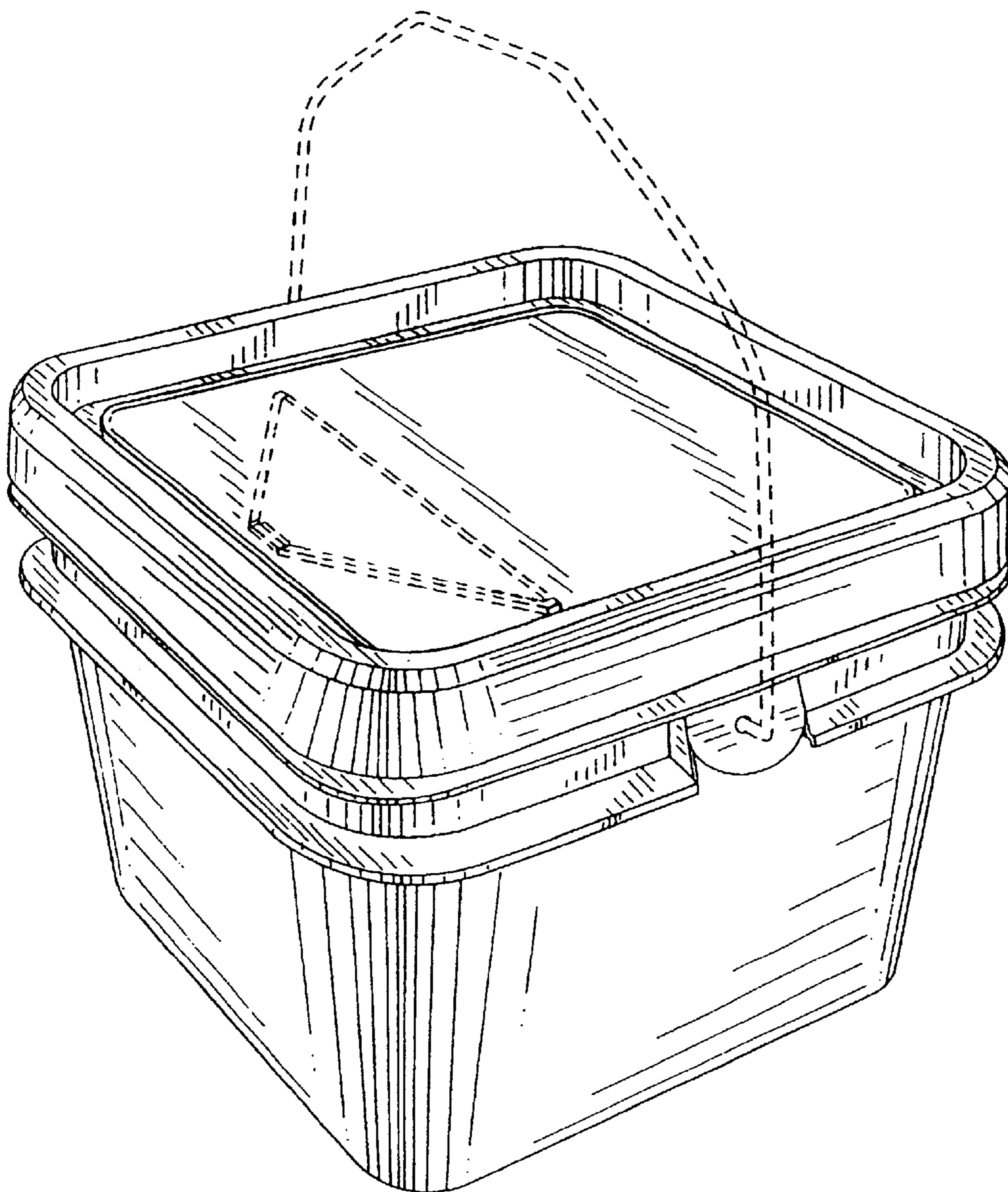


FIG. 7

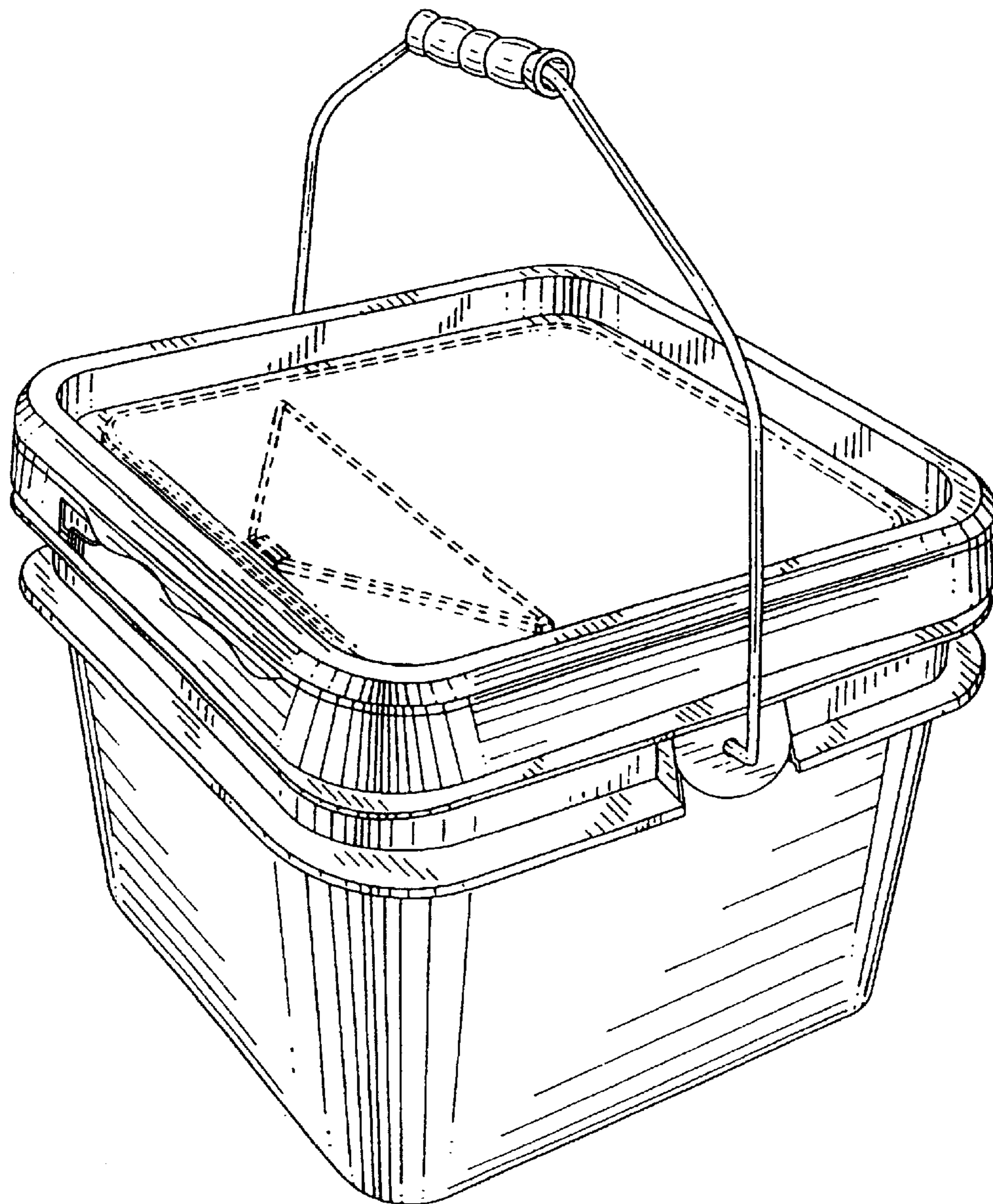


FIG. 8

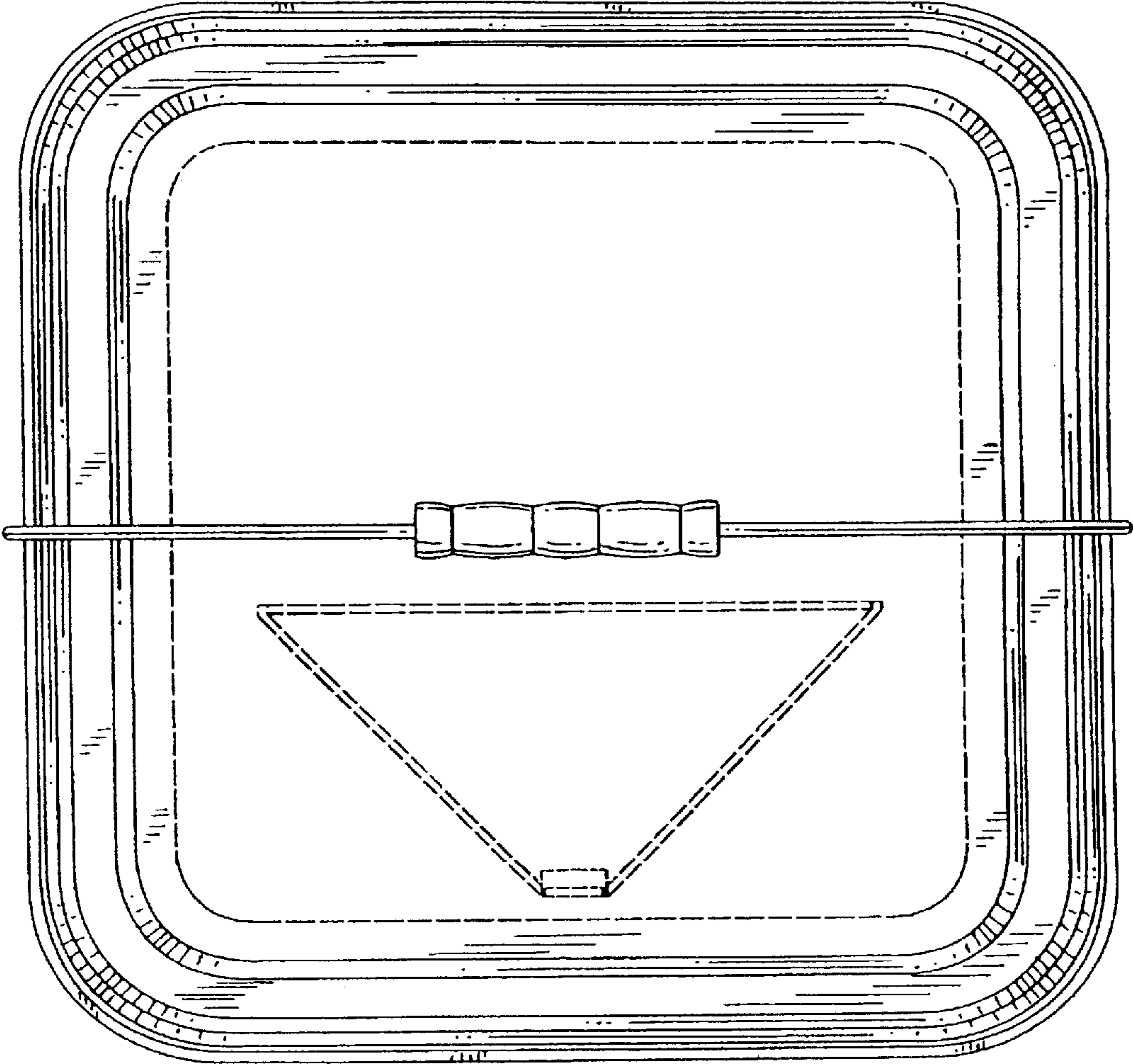


FIG. 9

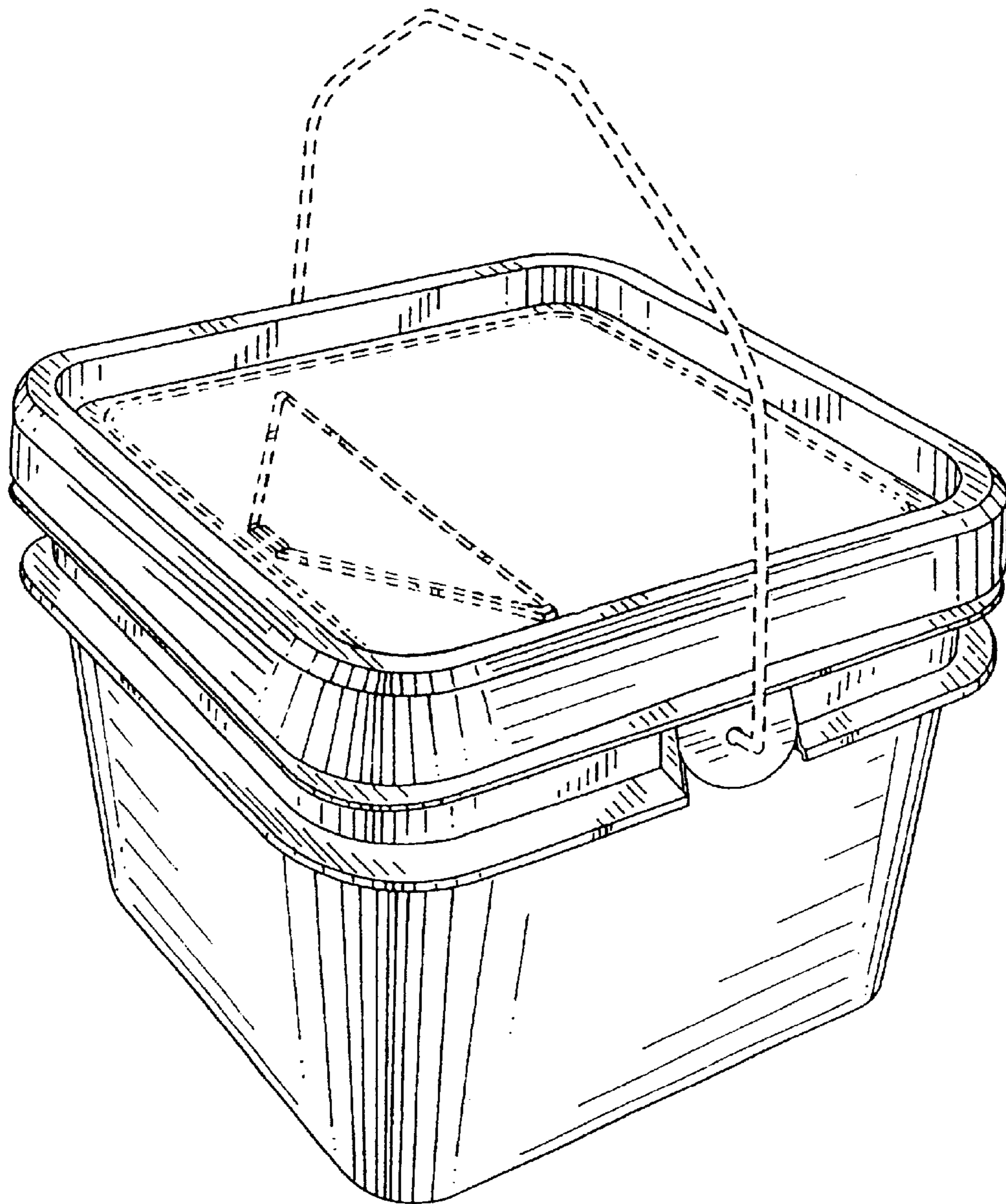


FIG. 10