

US00D536155S

(12) **United States Design Patent**
Mikolajczyk et al.

(10) **Patent No.:** **US D536,155 S**

(45) **Date of Patent:** **** Jan. 30, 2007**

(54) **PORTIONS OF CENTRAL CONNECTOR
POST AND LOCKING ELEMENTS
ASSOCIATED THEREWITH FOR CLUSTER
BOX MAIL DELIVERY RECEPTACLES**

1,060,018 A 4/1913 Pape
1,104,153 A 7/1914 Steward

(Continued)

OTHER PUBLICATIONS

(76) Inventors: **Ryszard K. Mikolajczyk**, 3708 N.
Oconto Ave., Chicago, IL (US) 60634;
Taurris D. Baskerville, 1106 Westover
La., Schamburg, IL (US) 60193

Auth-Florence Manufacturing, Glendale Heights, IL 60139,
"Commercial & Residential Mailbox Products," 28 Page
Catalog, Jun. 2003.

Auth-Florence Manufacturing, Glendale Heights, IL 60139,
"Residential Units," 2 Page Brochure, Apr. 2002.

Auth-Florence Manufacturing, Glendale Heights, IL 60139,
"Parcel Lockers," 2 Page Brochure, Apr. 2002.

Auth-Florence Manufacturing, Glendale Heights, IL 60139,
"Cluster Box Units," 2 Page Brochure, Mar. 2003.

(**) Term: **14 Years**

(21) Appl. No.: **29/208,350**

(22) Filed: **Jun. 29, 2004**

(51) **LOC (8) Cl.** **99-00**

(52) **U.S. Cl.** **D99/43**

(58) **Field of Classification Search** D99/28,
D99/29, 31, 32, 33; 232/17, 24, 25, 27; 109/64,
109/53, 59; D8/330, 331, 336, 338, 343,
D8/344; 70/2, 14, 91, 101, 102, 103, 94,
70/54, 56; 292/210, 281, 297, 298, 340, 341.17,
292/346; D16/252, 238, 242, 246, 235, 237,
D16/382, 387, 365, 366

See application file for complete search history.

Primary Examiner—Paula A. Greene

(74) *Attorney, Agent, or Firm*—Justin S. Rerko, Esq.

(57) **CLAIM**

We claim the ornamental design for portions of central
connector post and locking elements associated therewith
for cluster box mail delivery receptacles, as shown and
described.

DESCRIPTION

FIG. 1 is a perspective view of portions of a central
connector post and locking elements associated therewith
for cluster box mail delivery receptacles, showing our new
design;

FIG. 2 is a front elevational view, shown separately for
purposes of illustration, the undisclosed rear is not part of
the claimed design;

FIG. 3 is a front perspective view thereof, shown separately
for purposes of illustration, the undisclosed rear is not part
of the claimed design; and,

FIG. 4 is a front perspective view thereof, shown separately
for purposes of illustration, the undisclosed rear is not part
of the claimed design.

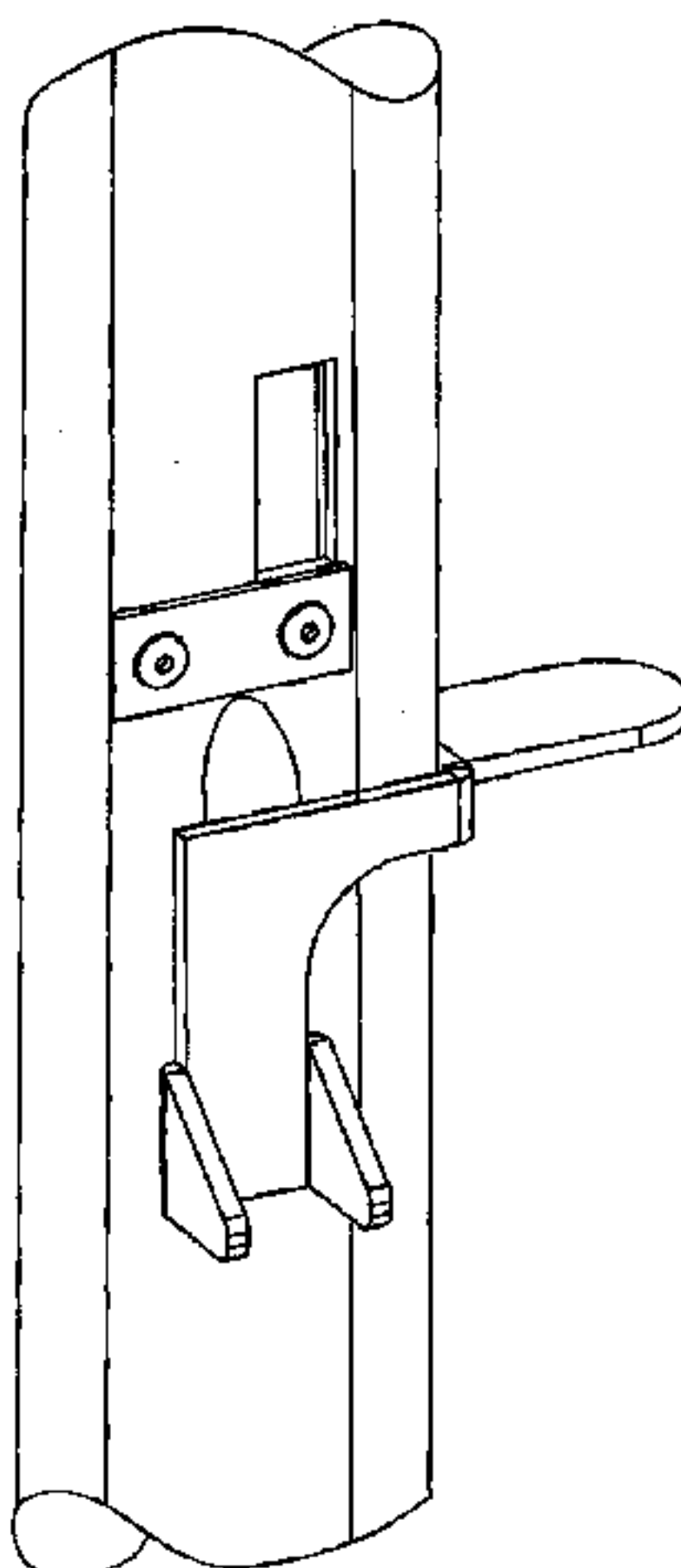
The broken lines in FIGS. 1 and 2 are for illustrative
purposes only and form no part of the claimed design.

(56) **References Cited**

U.S. PATENT DOCUMENTS

233,992 A	11/1880	Crowder et al.
252,154 A	1/1882	Temple et al.
353,008 A	11/1886	Sutliff
483,070 A	9/1892	Light
491,495 A	2/1893	Ridell
510,199 A	12/1893	Sheldon
618,846 A	2/1899	Crowder
666,038 A	1/1901	Taylor
693,770 A	2/1902	Wright et al.
694,219 A	2/1902	Vestal
707,236 A	8/1902	Kelly
753,302 A	3/1904	Ogle
825,339 A	7/1906	McWade
892,187 A	6/1908	Schriefer
894,577 A	7/1908	Bessner
950,935 A	3/1910	Lorenz et al.

1 Claim, 4 Drawing Sheets



US D536,155 S

U.S. PATENT DOCUMENTS					
1,222,964 A	4/1917	Matchette	2,658,667 A	11/1953	Mirkin
1,275,511 A	8/1918	Welch	2,694,369 A	11/1954	Strother
1,307,649 A	6/1919	Wiel	2,803,512 A	8/1957	Band
1,350,770 A	8/1920	Bates et al.	2,832,529 A	4/1958	Brown
1,362,949 A	12/1920	Lillard	2,841,327 A	7/1958	Chasworth
1,365,960 A	1/1921	Abbett	2,853,231 A	9/1958	Yorgey et al.
1,444,332 A	2/1923	Chism	2,960,265 A	11/1960	Simon
1,459,031 A	6/1923	Murphy	3,070,234 A	12/1962	Dietzman
1,534,920 A	4/1925	Cox	D210,257 S	2/1968	Favaro
1,547,588 A	7/1925	Kolstad	D210,332 S	2/1968	Favaro
1,554,862 A	9/1925	Light Foot	D218,279 S *	8/1970	Chaumont D8/308
1,574,354 A	2/1926	Barth	3,784,089 A	1/1974	Koch
1,581,776 A	4/1926	Altschul	3,790,244 A	2/1974	Stackhouse
1,598,325 A	8/1926	Steele, Jr.	4,073,554 A	2/1978	Oder et al.
1,604,629 A	10/1926	Beer	D248,138 S	6/1978	Stackhouse et al.
1,605,118 A	11/1926	Kolstad	4,121,758 A	10/1978	Bonner
1,606,423 A	11/1926	Hudson	4,161,274 A	7/1979	Bishop et al.
1,607,121 A	11/1926	Doran	4,290,548 A	9/1981	Denhart
1,612,335 A	12/1926	Wilhelm	4,356,956 A	11/1982	Long
1,620,474 A	3/1927	Krick	D279,419 S	6/1985	Stevens et al.
1,629,620 A	5/1927	Harmony	D279,619 S	7/1985	Stevens et al.
1,629,679 A	5/1927	Colby	4,557,416 A	12/1985	Stahl et al.
1,632,702 A	6/1927	Hammer	4,648,550 A	3/1987	Cleary, Jr.
1,632,733 A	6/1927	Hammer	4,651,921 A	3/1987	McKellar
1,632,734 A	6/1927	Hammer	D293,154 S	12/1987	McKellar
1,632,762 A	6/1927	Hammer	D293,863 S	1/1988	Chester
1,642,533 A	9/1927	Beer	4,836,352 A	6/1989	Tateno et al.
1,644,215 A	10/1927	Wilhelm	4,865,248 A	9/1989	Barth
1,654,884 A	1/1928	Johnson	D315,996 S	4/1991	Barth et al.
1,661,370 A	3/1928	Kaser	5,103,659 A	4/1992	Benefield
1,683,217 A	9/1928	Ward, Jr.	D326,757 S	6/1992	Ullman
1,683,218 A	9/1928	Ward, Jr.	D335,377 S	5/1993	Speciale
1,684,513 A	9/1928	Parker	5,267,688 A	12/1993	Benefield
1,685,222 A	9/1928	Blackman	D366,576 S	1/1996	Stacy
1,689,204 A	10/1928	Hunter et al.	5,520,450 A	5/1996	Colson, Jr. et al.
1,695,524 A	12/1928	Blackman	5,526,979 A	6/1996	Mann
1,709,363 A	4/1929	Murphy	D374,966 S	10/1996	Matassa
1,709,560 A	4/1929	Blackman	5,562,332 A	10/1996	Stacy
1,719,541 A	7/1929	Gaffner et al.	5,737,946 A *	4/1998	Sole et al. 70/54
1,735,379 A	11/1929	Content	5,794,844 A	8/1998	Jenkins
1,736,895 A	11/1929	Ward, Jr.	5,820,018 A	10/1998	Stacy
1,747,003 A	2/1930	Hammer	5,820,019 A	10/1998	Spitale
1,750,339 A	3/1930	Wood	5,992,736 A	11/1999	Parker
1,756,945 A	5/1930	Hammer	6,003,761 A	12/1999	Chapman
1,760,961 A	6/1930	Parker	D419,747 S	1/2000	Noblet et al.
1,770,188 A	7/1930	Auth	D424,909 S	5/2000	Noblet et al.
1,785,404 A	12/1930	Blackman	D434,924 S	12/2000	Jermain
1,817,191 A	8/1931	Harmony	D438,034 S	2/2001	Jermain
1,842,258 A	1/1932	Fetyk	6,247,641 B1	6/2001	Noblet et al.
1,874,696 A	8/1932	Cole	D446,440 S *	8/2001	Webber et al. D8/331
1,957,271 A	5/1934	Keil	6,296,181 B1	10/2001	Noblet et al.
2,047,454 A	7/1936	Anderson et al.	6,328,205 B1	12/2001	Noblet et al.
2,164,855 A	7/1939	Florence	D465,720 S *	11/2002	Persson D8/331
2,465,935 A	3/1949	Scalia	D475,171 S	5/2003	Nelson et al.
2,480,288 A	8/1949	Donadio	D485,043 S	1/2004	Nelson et al.
2,563,094 A	8/1951	Becker	D492,184 S *	6/2004	Parker et al. D8/331
2,623,689 A	12/1952	Barlick	6,749,109 B2	6/2004	Hill

* cited by examiner

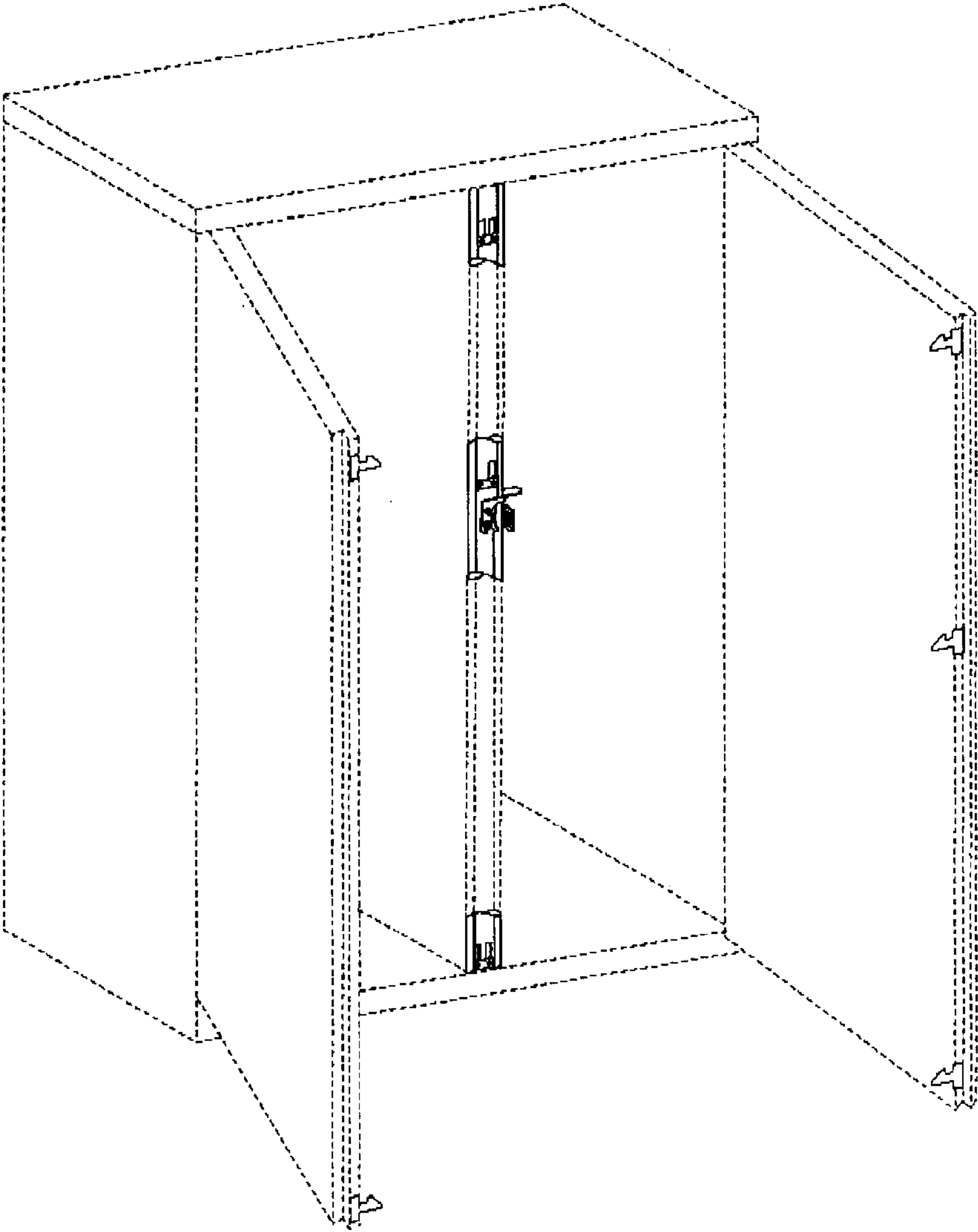


Figure 1

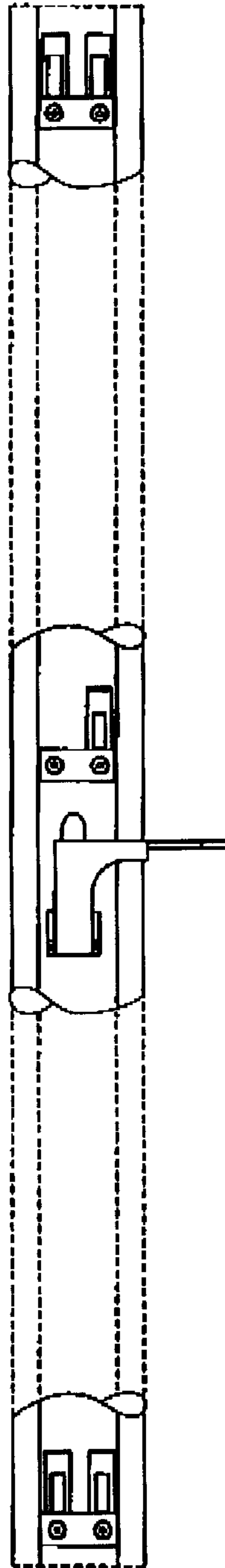


Figure 2

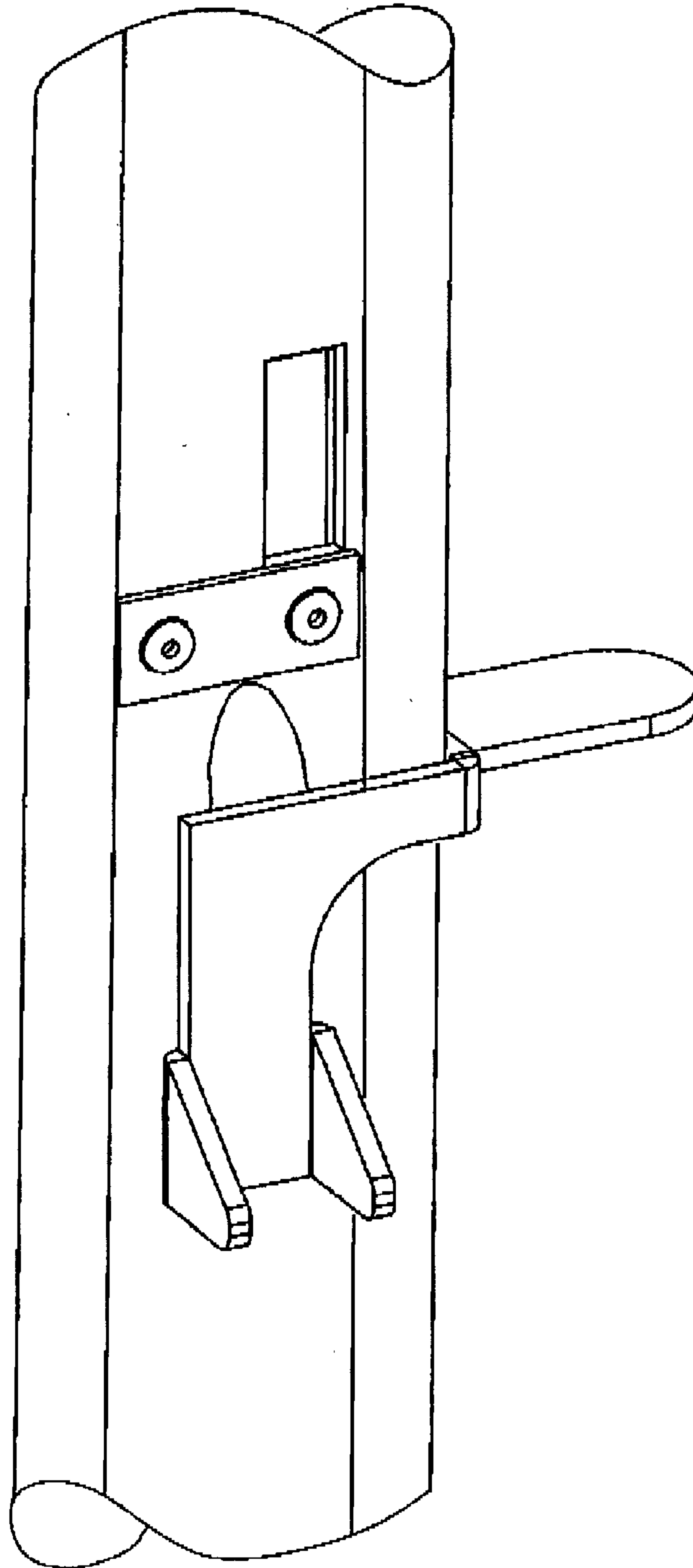


Figure 3

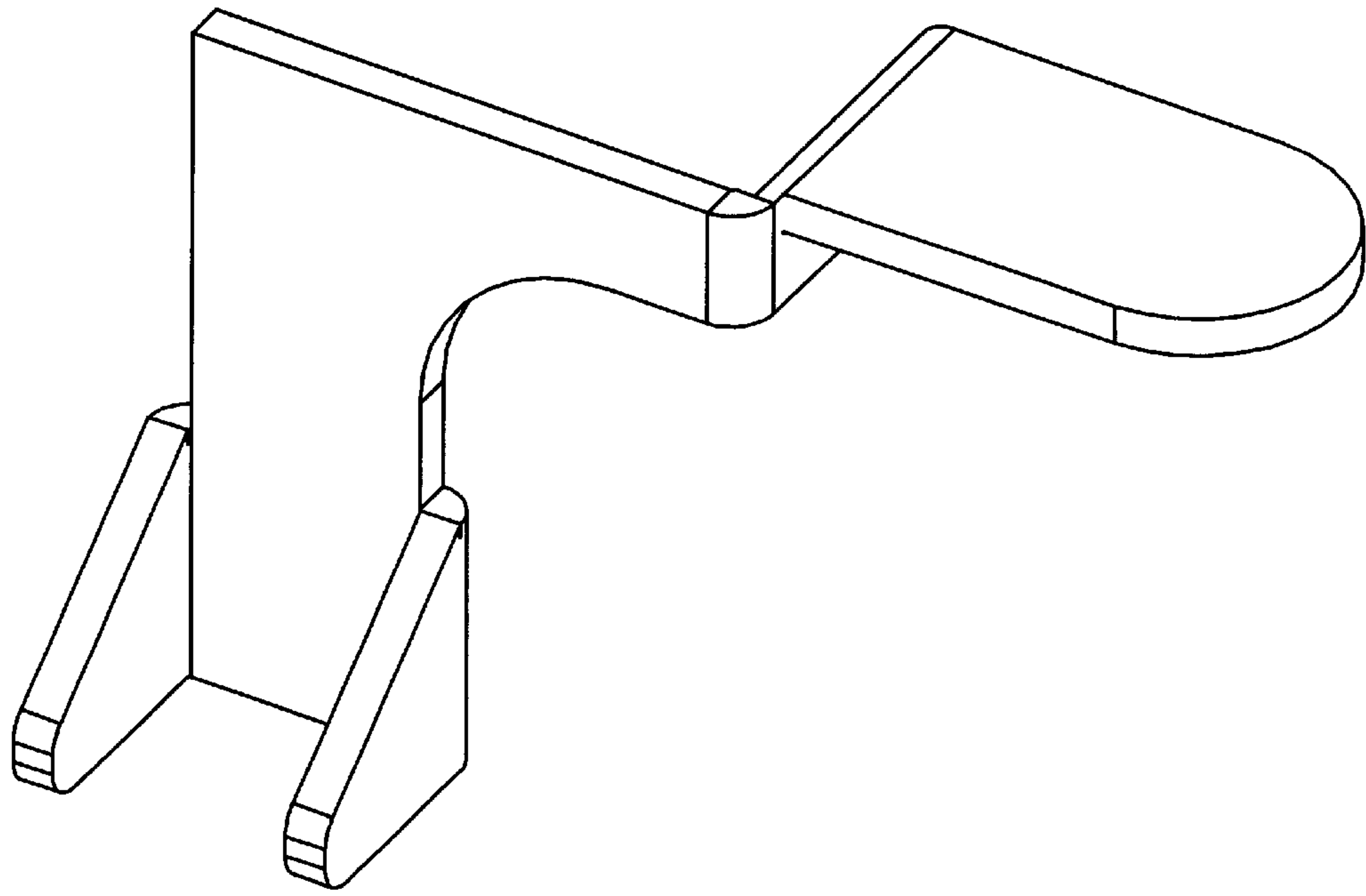


Figure 4