



US00D536153S

(12) **United States Design Patent** (10) **Patent No.:** **US D536,153 S**
Niebuhr et al. (45) **Date of Patent:** **** Jan. 30, 2007**

(54) **JOYSTICK**

(75) Inventors: **Michael Niebuhr**, Bargteheide (DE);
Klaus-Peter Ribbentrop,
Henstedt-Ulzburg/Rhen (DE)

(73) Assignee: **Jungheinrich Aktiengesellschaft**,
Hamburg (DE)

(**) Term: **14 Years**

(21) Appl. No.: **29/214,056**

(22) Filed: **Sep. 27, 2004**

(51) **LOC (8) Cl.** **12-05**

(52) **U.S. Cl.** **D34/35; D14/415**

(58) **Field of Classification Search** D34/28,
D34/34, 35; D14/412, 413, 415, 428; 180/89.12,
180/89.13, 89.17; 74/488, 484 R
See application file for complete search history.

(56) **References Cited**

U.S. PATENT DOCUMENTS

D362,330 S * 9/1995 Avitan et al. D34/35
D378,303 S * 3/1997 Yang D14/416

D382,865 S * 8/1997 Jensen D14/412
D444,785 S * 7/2001 Whitehorn et al. D14/412
D448,137 S * 9/2001 Lewis, Jr. D34/35
D515,770 S * 2/2006 Ryan et al. D34/35

* cited by examiner

Primary Examiner—Cynthia E. Ramirez

(74) *Attorney, Agent, or Firm*—Vidas, Arrett & Steinkraus

(57) **CLAIM**

The ornamental design for a joystick, as shown and described.

DESCRIPTION

FIG. 1 is a front elevational view for a joystick showing our new design.

FIG. 2 is an elevational view from the left side.

FIG. 3 is an elevational view from the right side.

FIG. 4 is a rear elevational view.

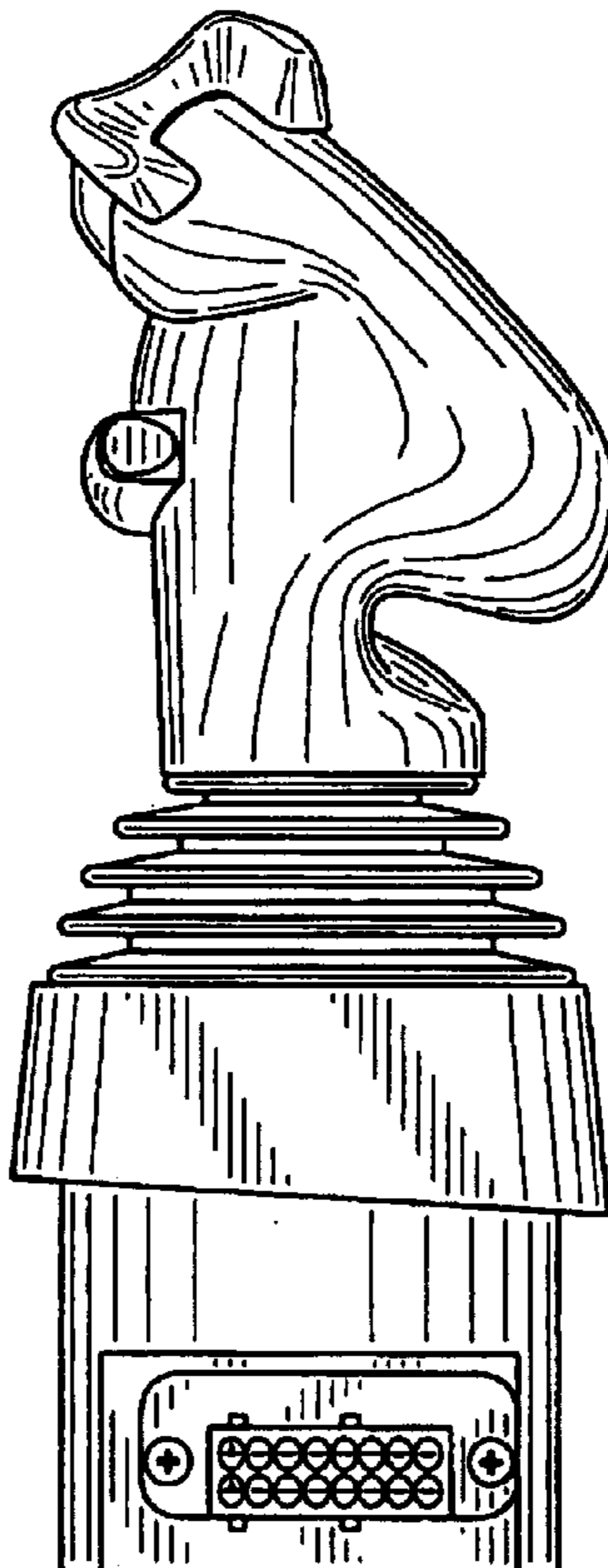
FIG. 5 is the top view.

FIG. 6 is the bottom view.

FIG. 7 is a perspective view on the top, rear and left side; and,

FIG. 8 is a perspective view on the top, front and right side.

1 Claim, 4 Drawing Sheets



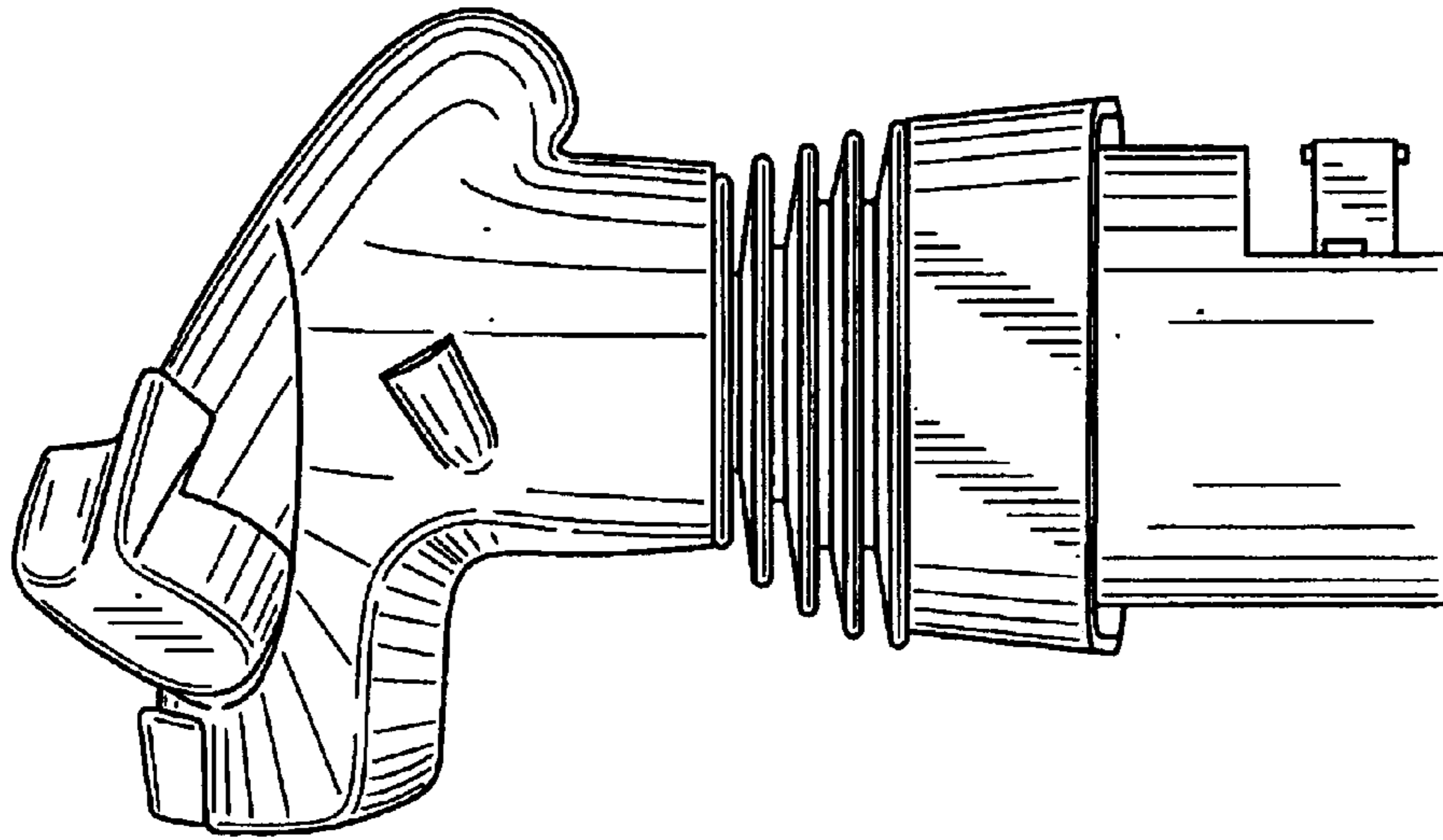


FIG. 2

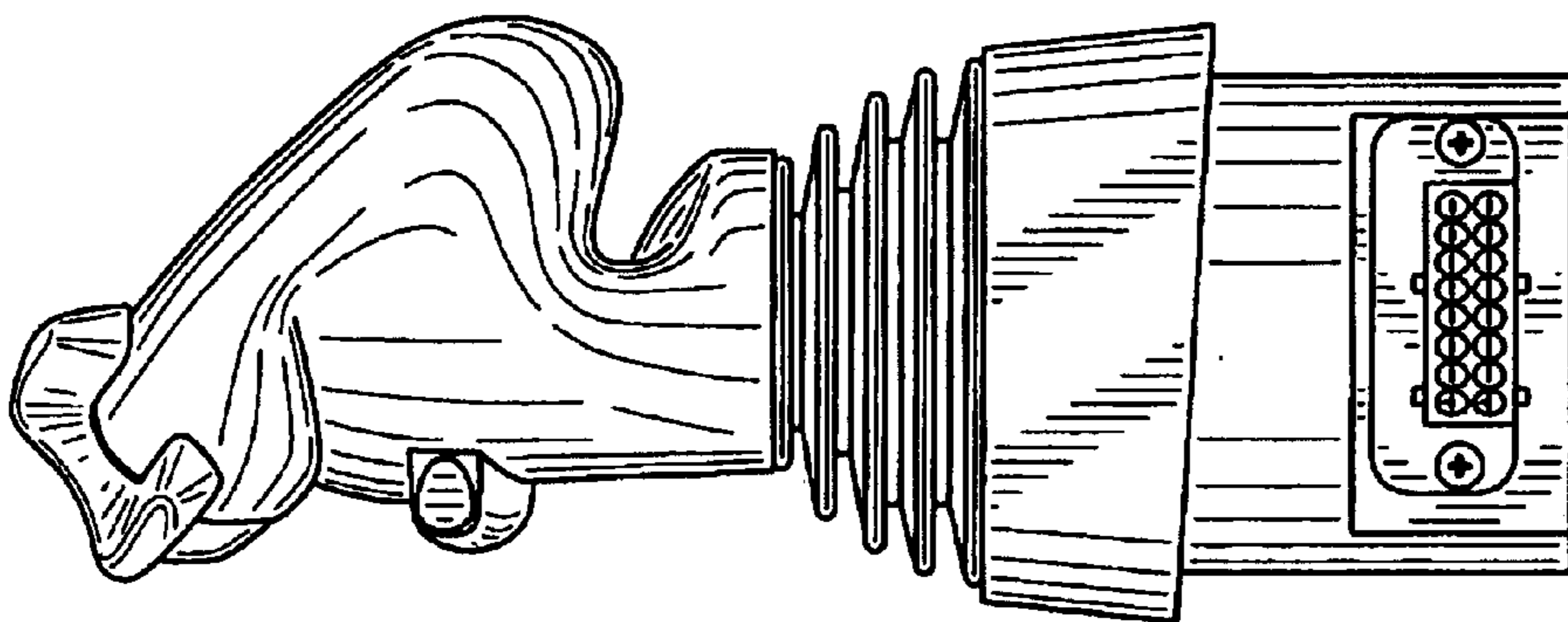


FIG. 1

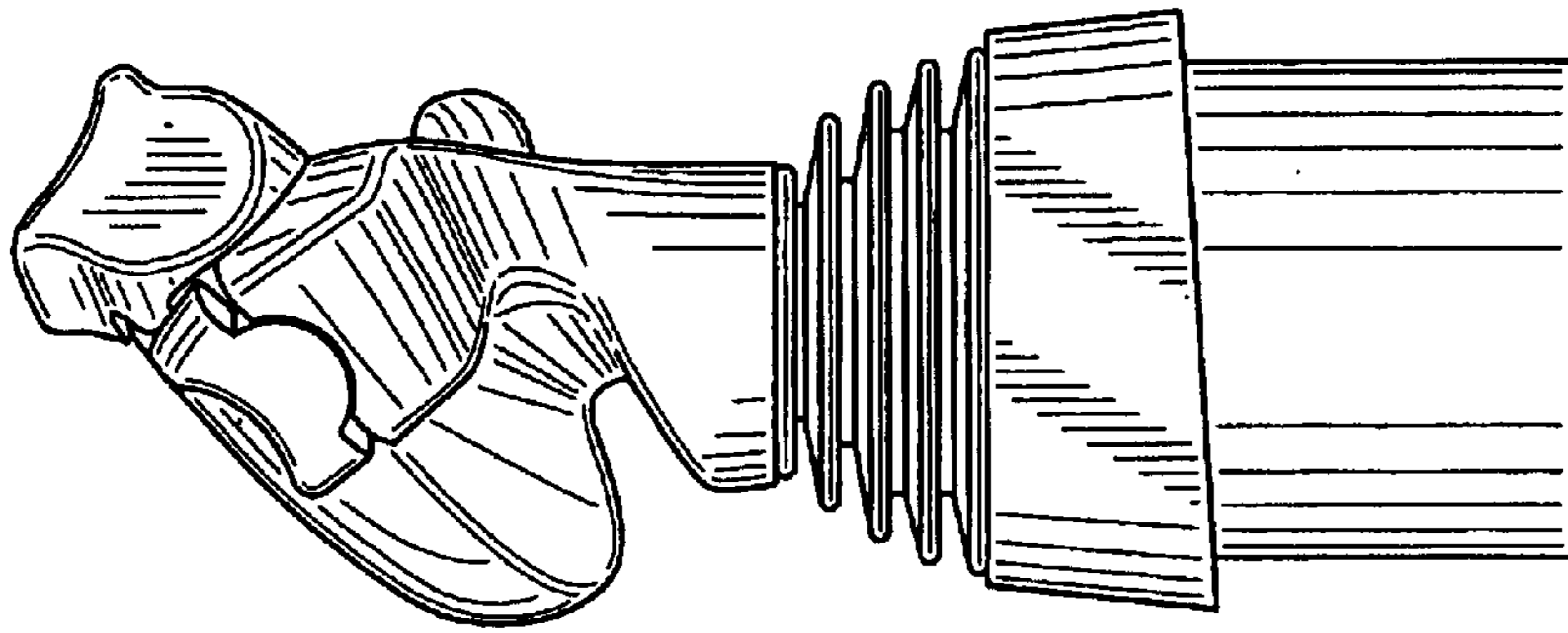


FIG. 4

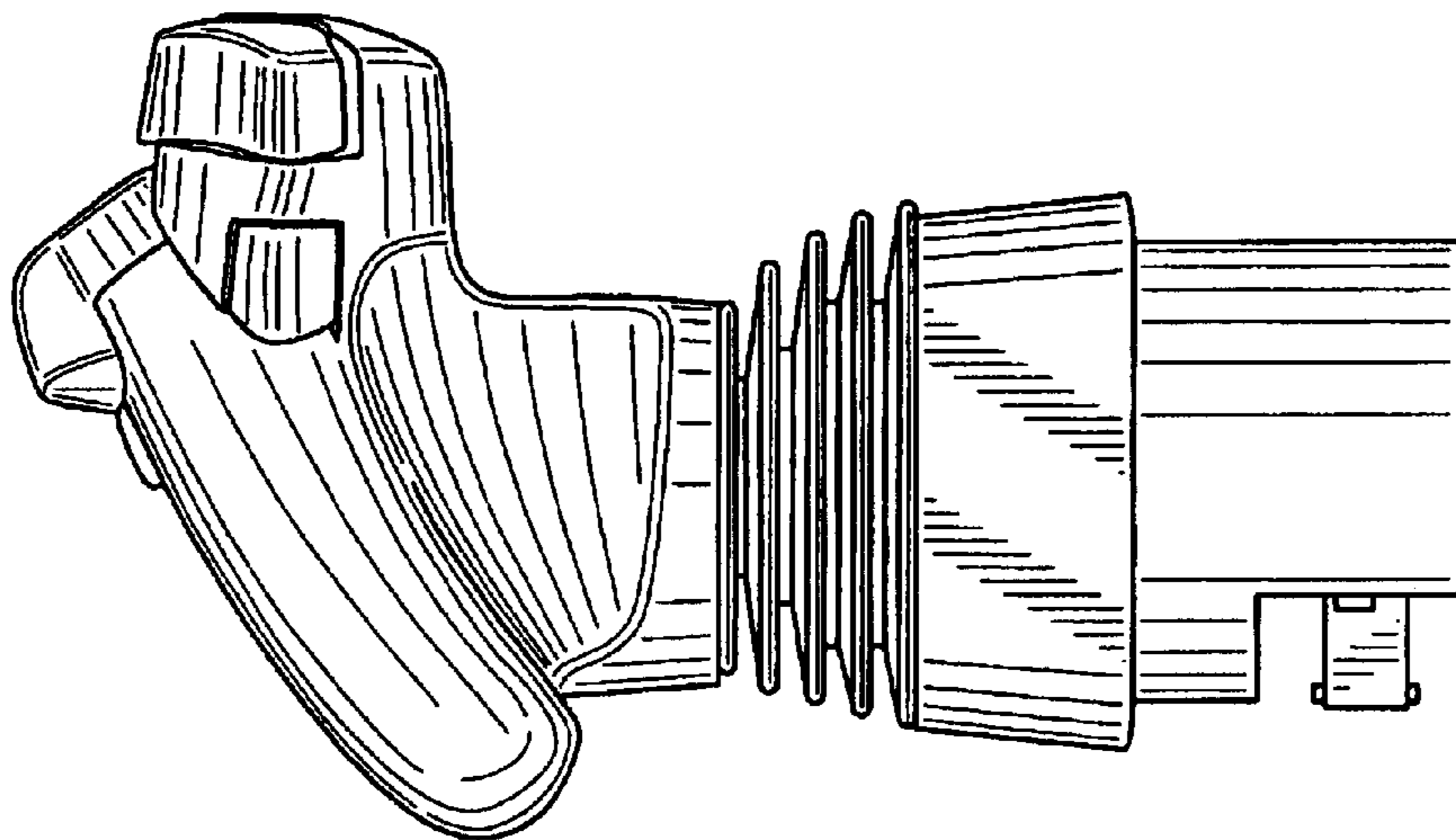


FIG. 3

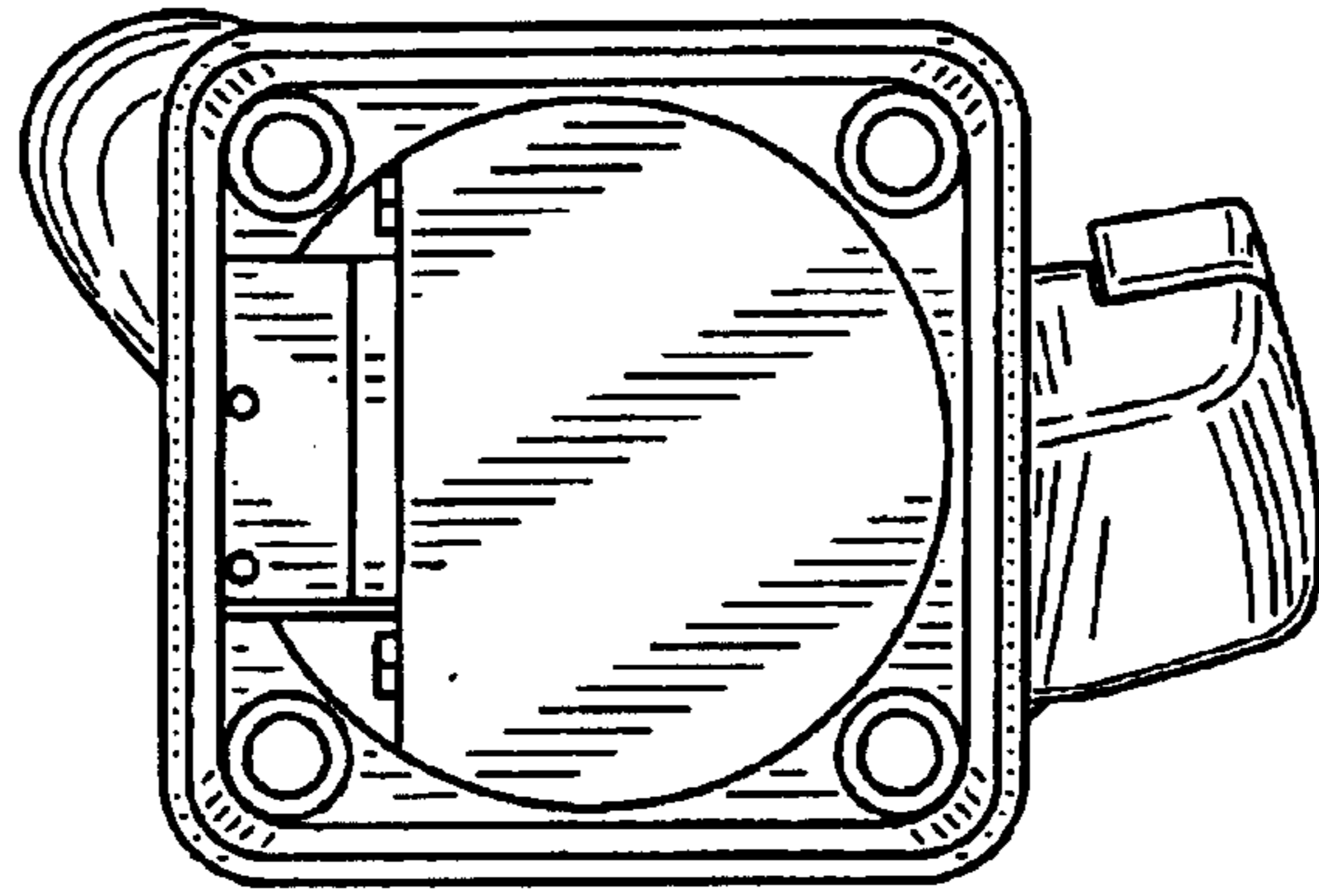


FIG. 6

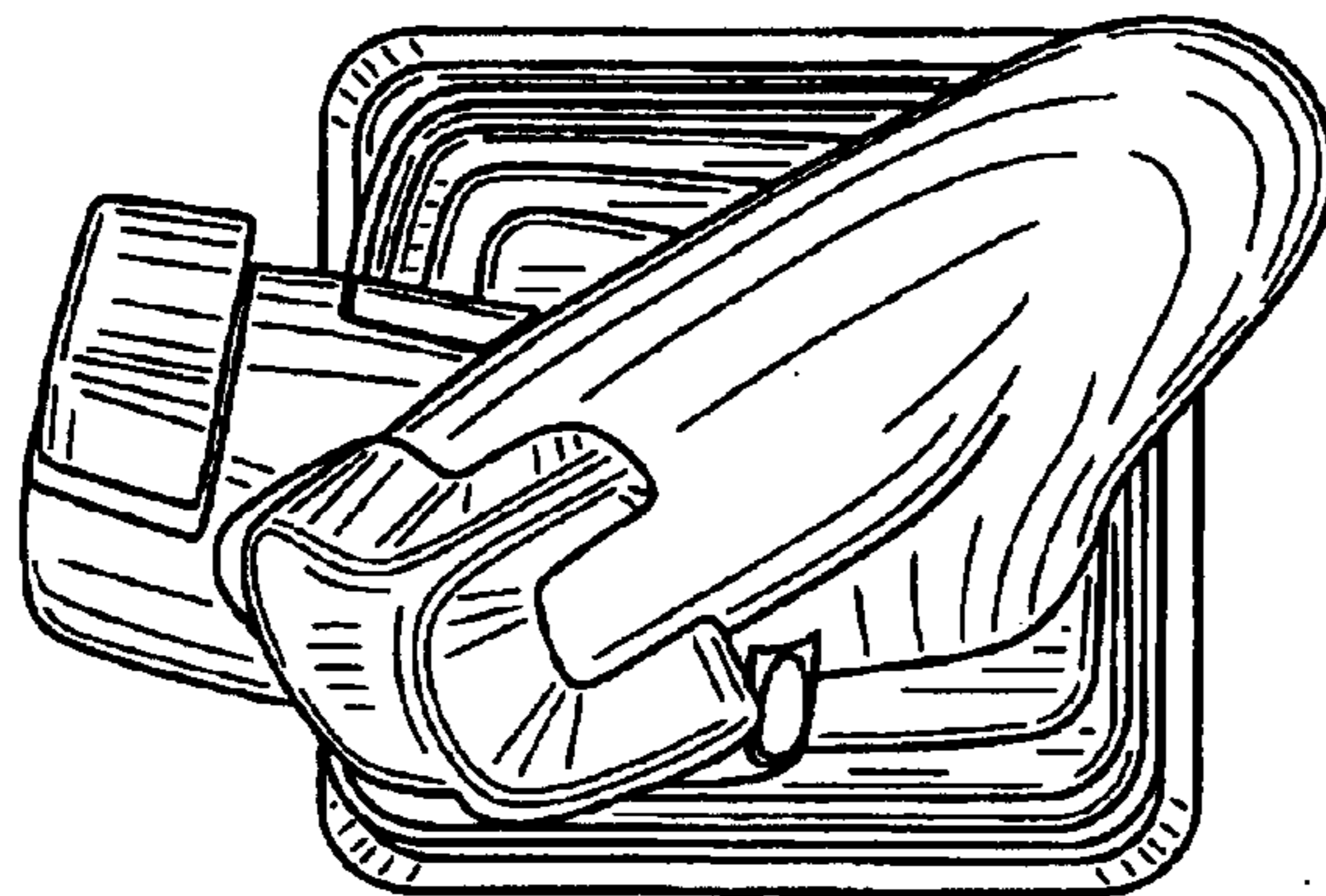


FIG. 5

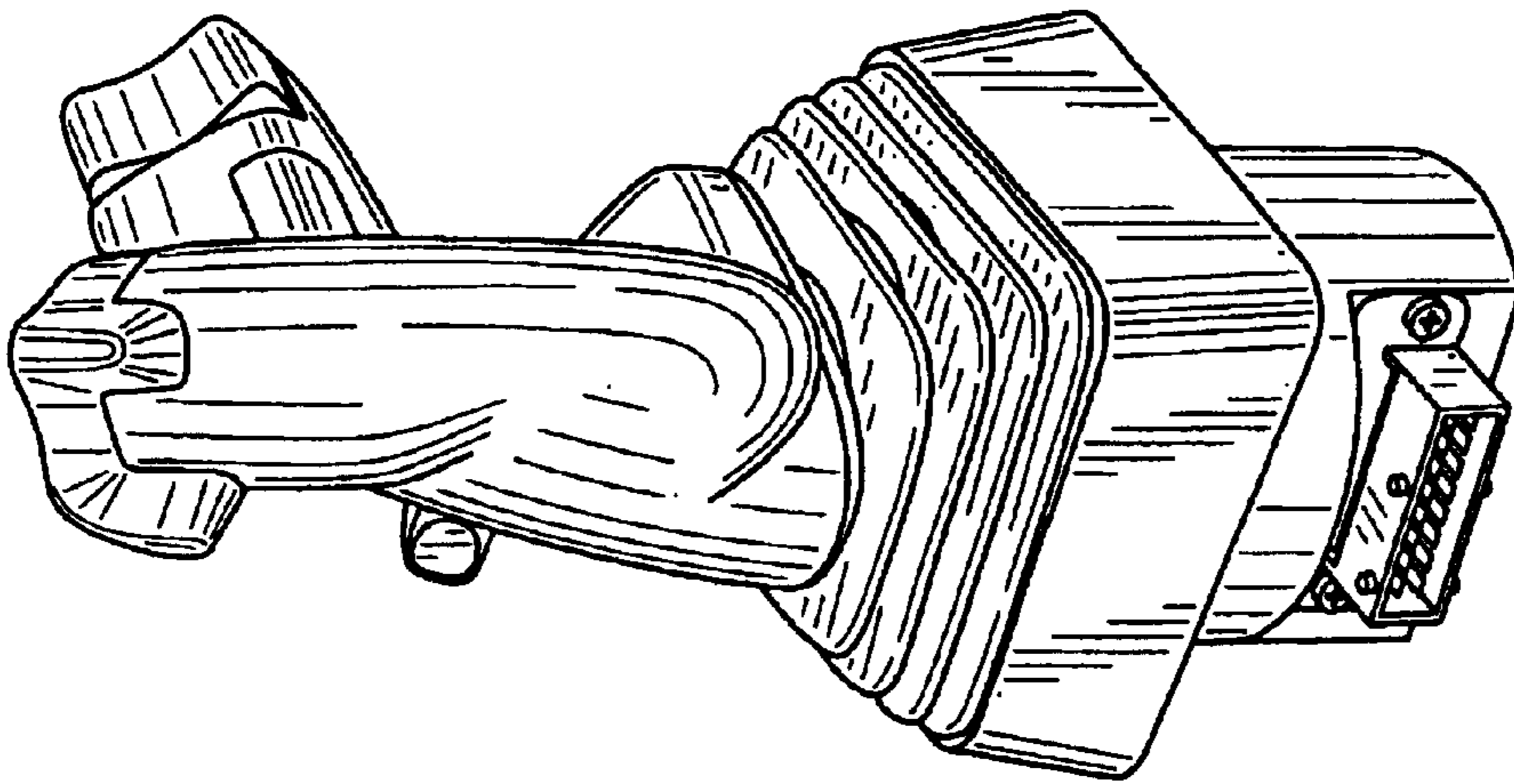


FIG. 8

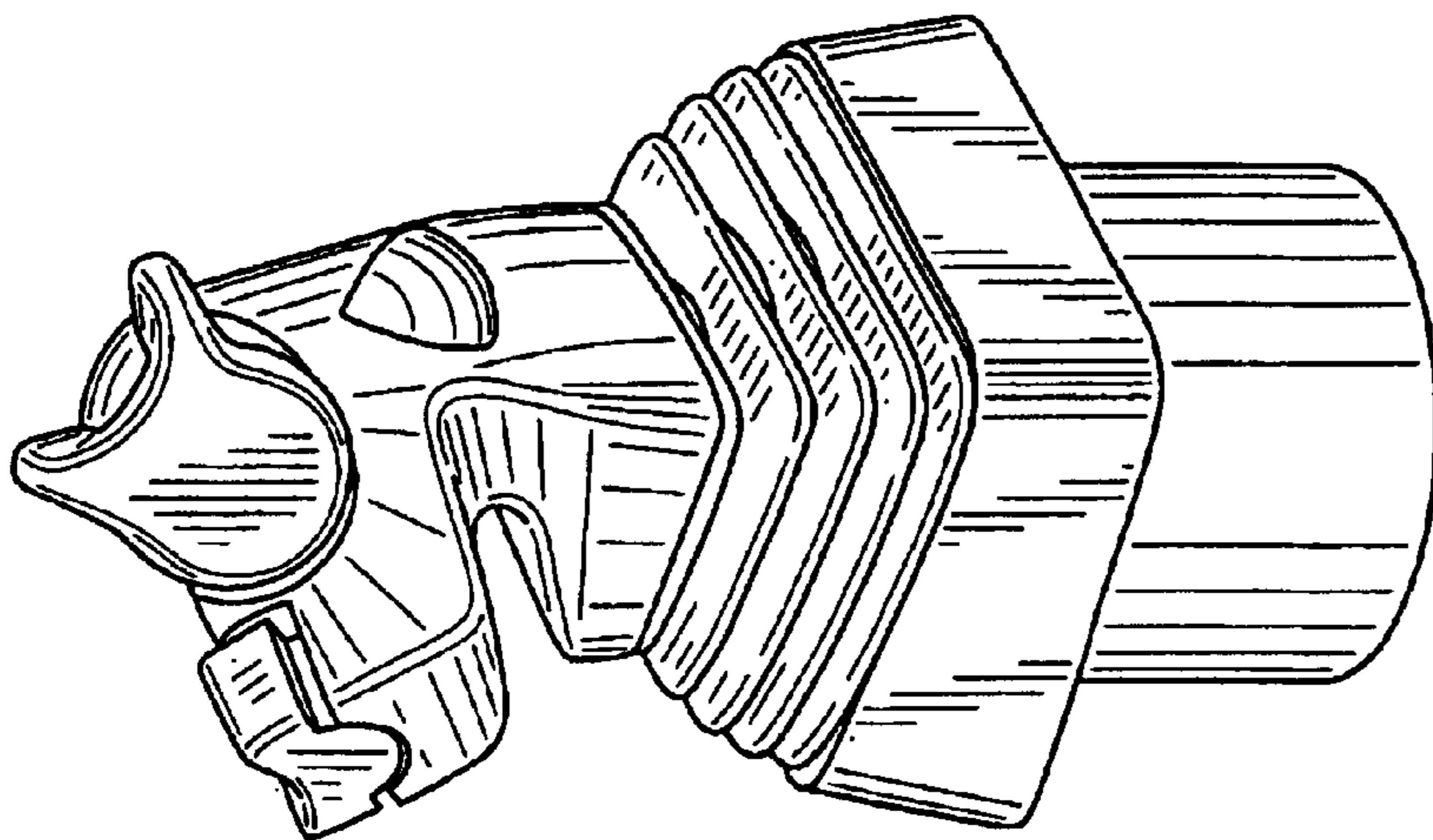


FIG. 7