



US00D536152S

(12) **United States Design Patent**
Yamaki

(10) **Patent No.:** **US D536,152 S**

(45) **Date of Patent:** **** Jan. 30, 2007**

(54) **LIFTING MAGNET**

(75) Inventor: **Masaru Yamaki**, Ueda (JP)

(73) Assignee: **Kanetec Kabushiki Kaisha**, Ueda (JP)

(**) Term: **14 Years**

(21) Appl. No.: **29/227,620**

(22) Filed: **Apr. 11, 2005**

(51) **LOC (8) Cl.** **12-05**

(52) **U.S. Cl.** **D34/28**

(58) **Field of Classification Search** D34/28,
D34/33, 35; D13/183; 335/285, 288, 289,
335/291, 294, 295

See application file for complete search history.

(56) **References Cited**

U.S. PATENT DOCUMENTS

D195,266	S	*	5/1963	Scott	D34/35
3,497,846	A	*	2/1970	Keller	335/296
4,185,261	A	*	1/1980	Nagata	335/291
4,314,219	A	*	2/1982	Haraguchi	335/295
5,382,935	A	*	1/1995	Doyelle	335/288
6,002,317	A	*	12/1999	Pignataro	335/289
6,076,873	A	*	6/2000	Jung	294/65.5
6,104,270	A	*	8/2000	Elias	335/289

D446,623	S	*	8/2001	Smith	D34/35
6,557,429	B1	*	5/2003	Asquith	73/865
D490,201	S	*	5/2004	Liao	D34/28
6,854,777	B2	*	2/2005	Jung	294/65.5

* cited by examiner

Primary Examiner—Cynthia E. Ramirez

(74) *Attorney, Agent, or Firm*—Victor N. King; Speckman Law Group PLLC

(57) **CLAIM**

The ornamental design for a lifting magnet, as shown.

DESCRIPTION

FIG. 1 is a perspective view from the front and side of a lifting magnet showing my new design;
 FIG. 2 is a front view thereof;
 FIG. 3 is a rear view thereof;
 FIG. 4 is a top plan view thereof;
 FIG. 5 is a bottom view thereof;
 FIG. 6 is a right side view thereof;
 FIG. 7 is a left side view thereof;
 FIG. 8 is a bottom, side perspective view thereof, showing from below and from the front; and,
 FIG. 9 is a left side view thereof, showing the handle of the lifting magnet rotated.

1 Claim, 5 Drawing Sheets

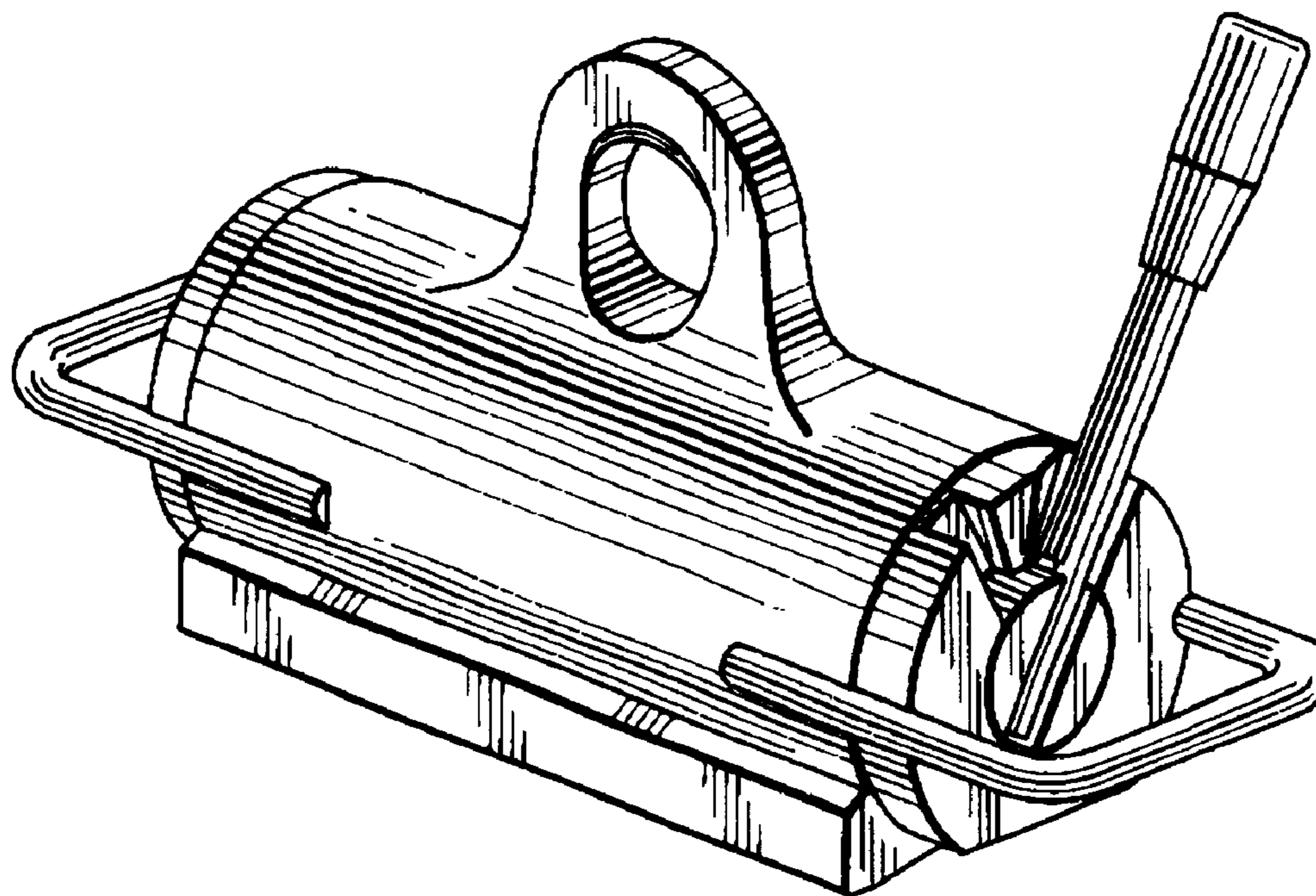


FIG. 1

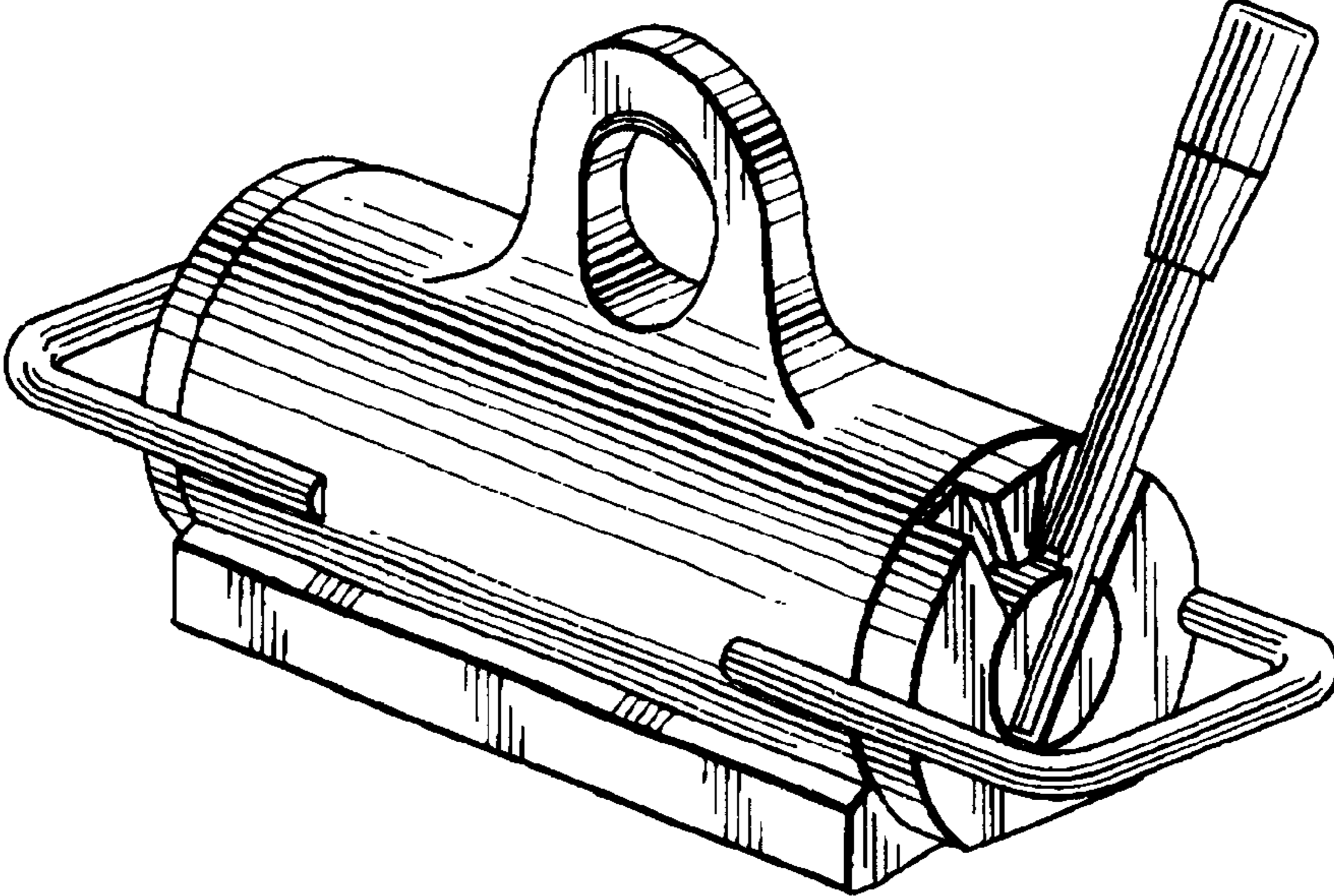


FIG.2

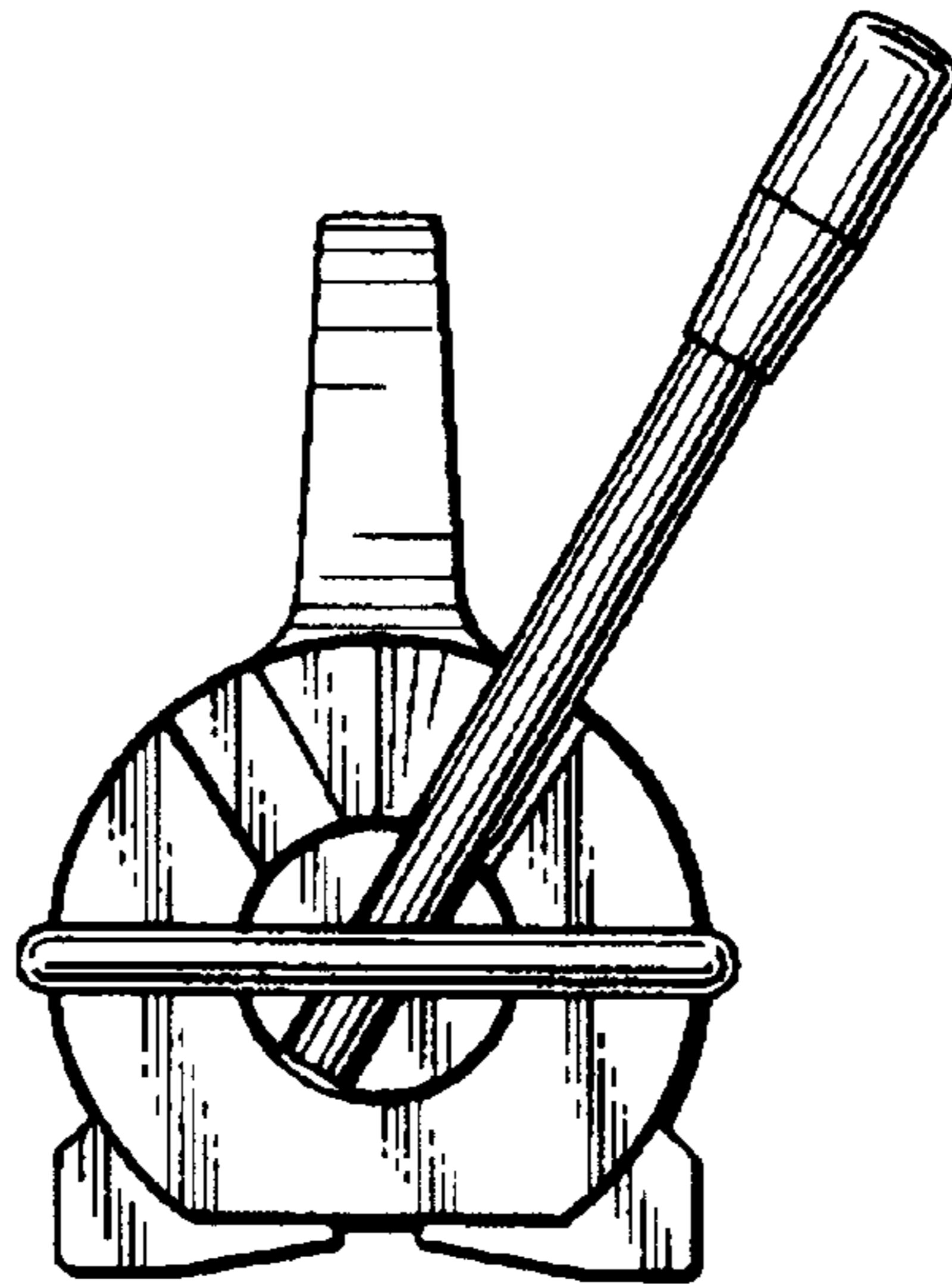


FIG.3

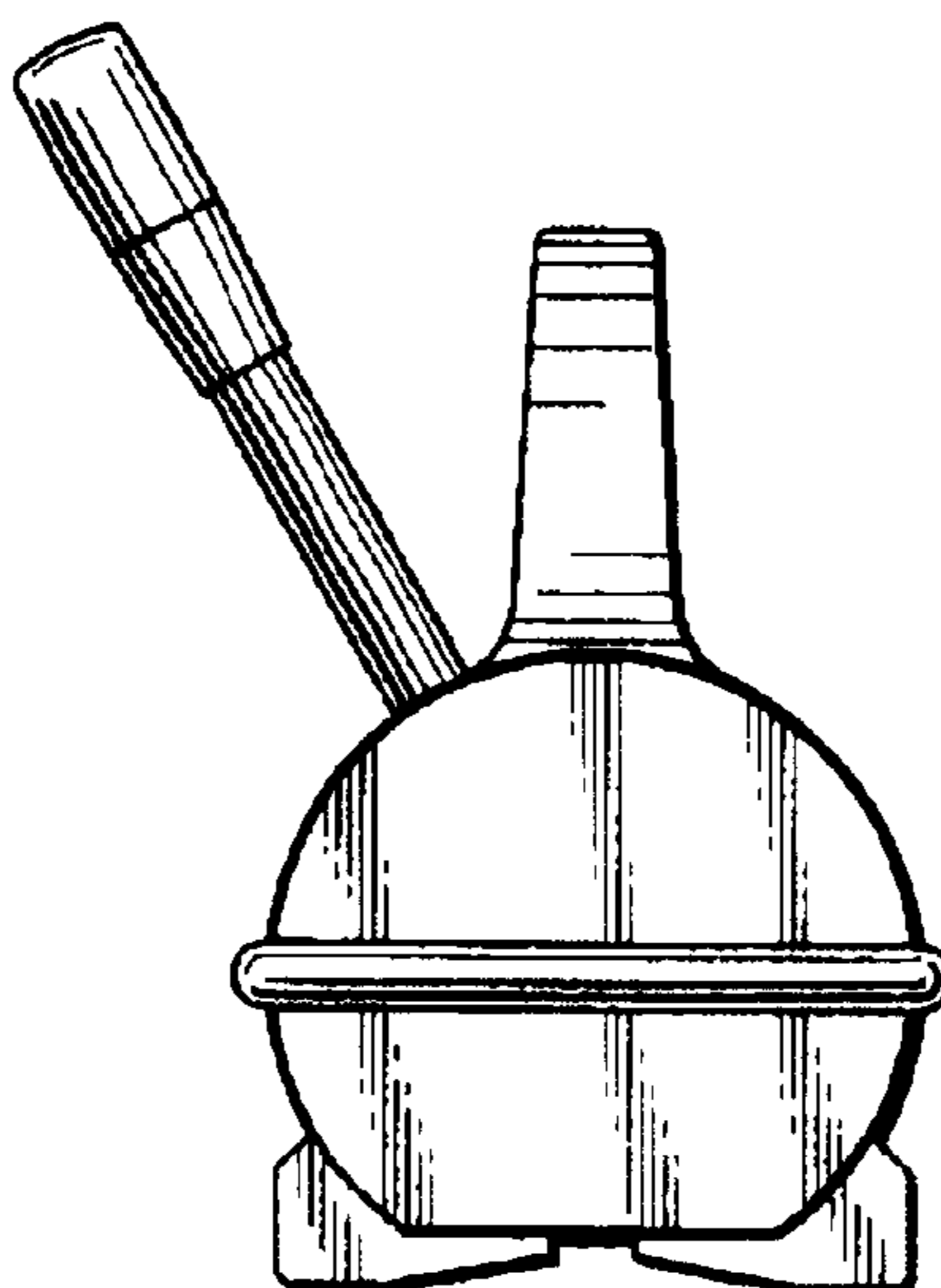


FIG.4

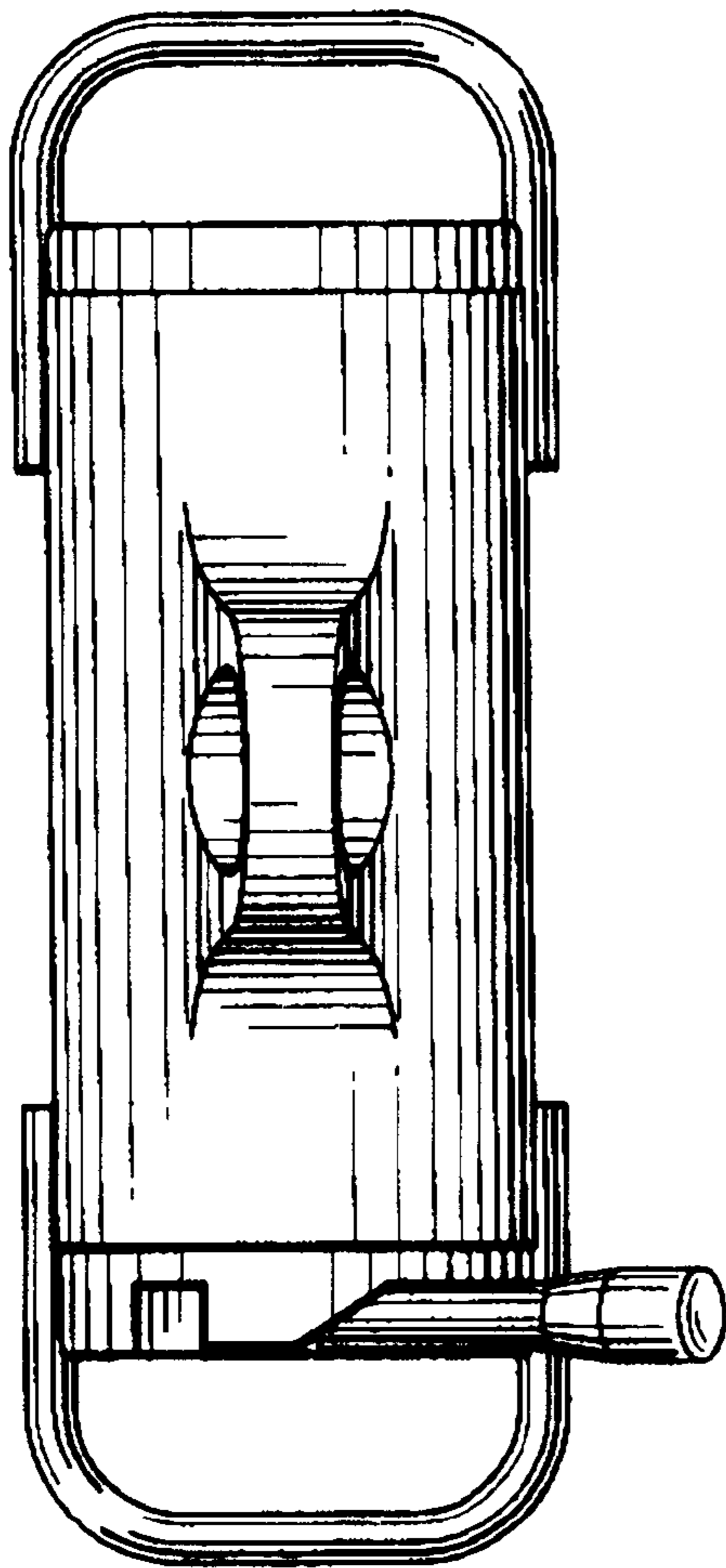


FIG.5

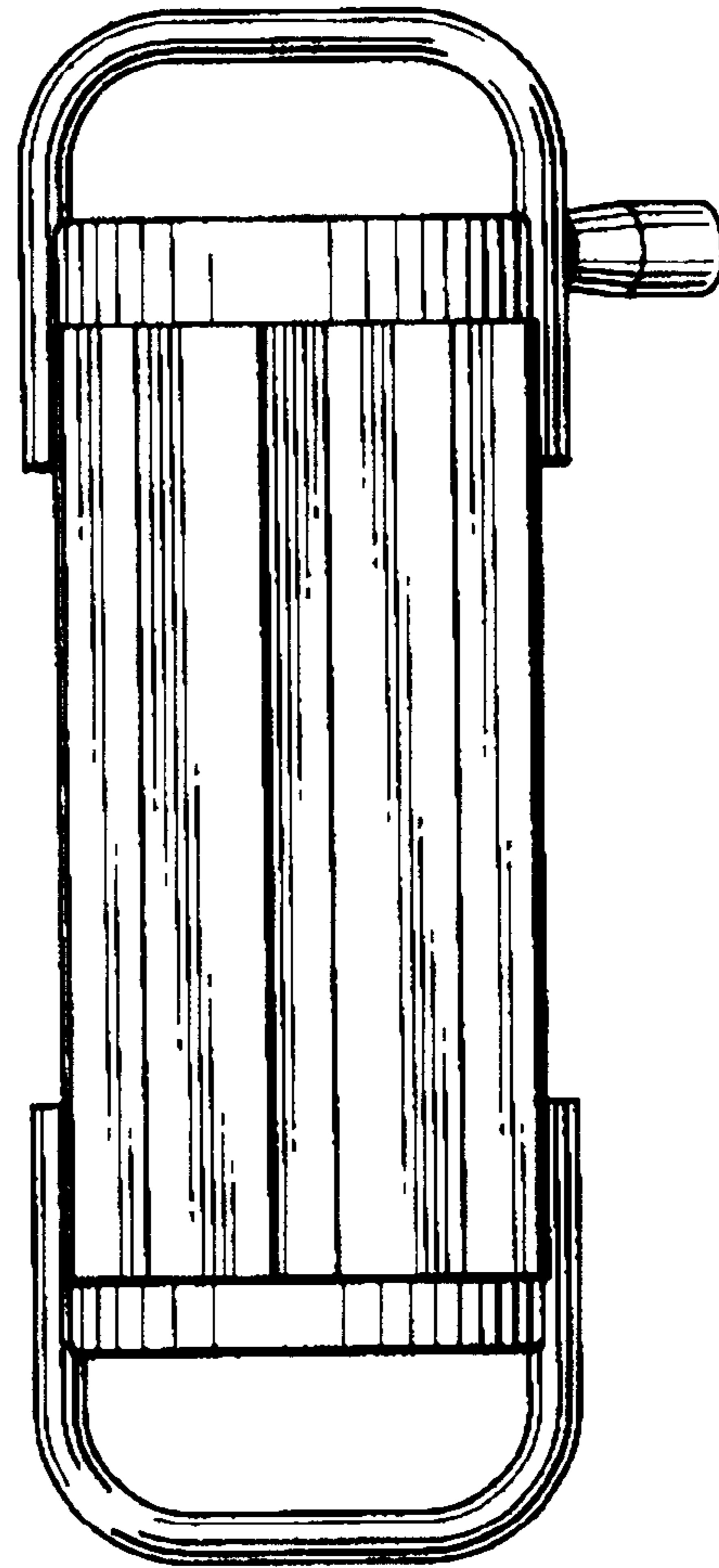


FIG.6

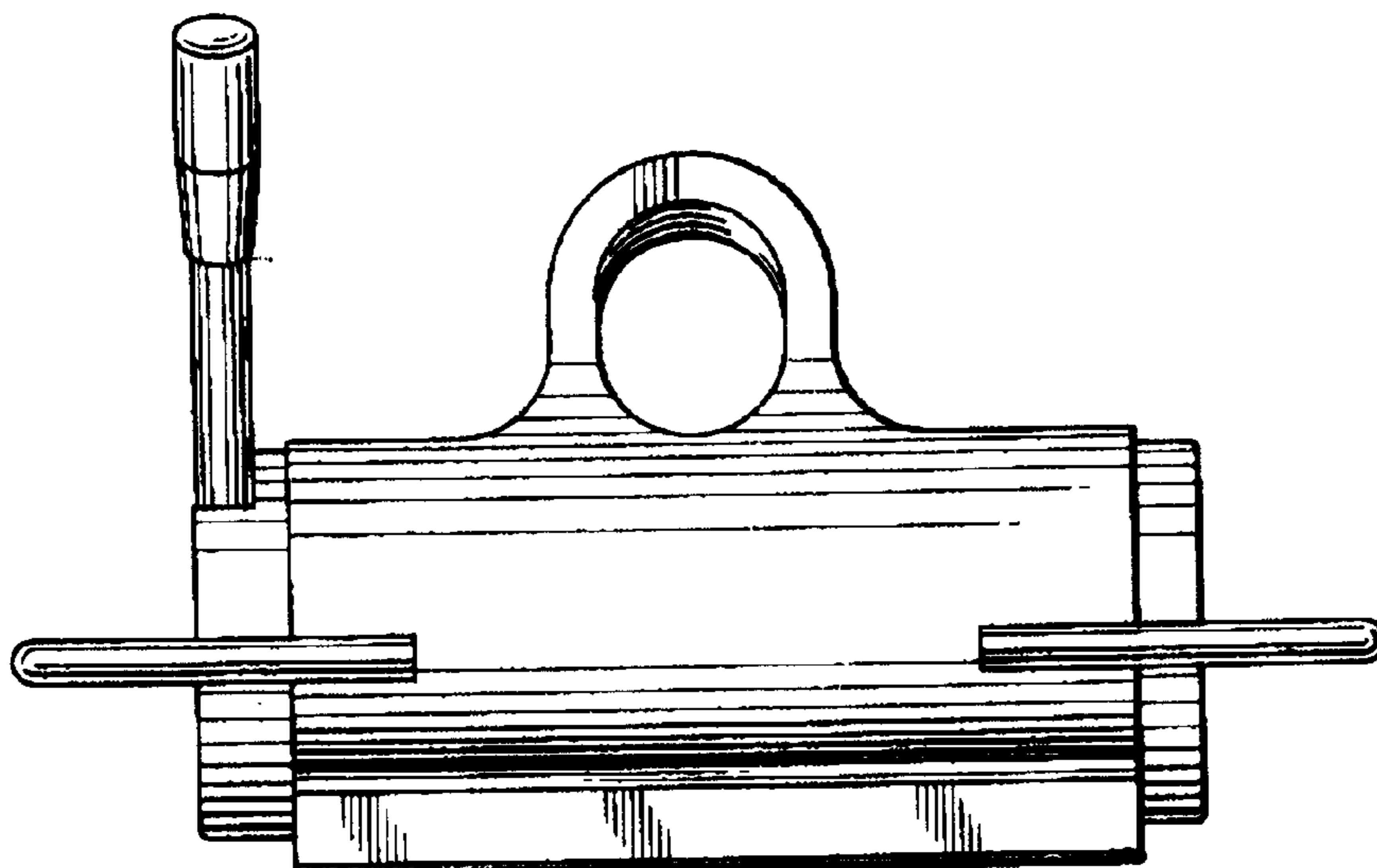


FIG.7

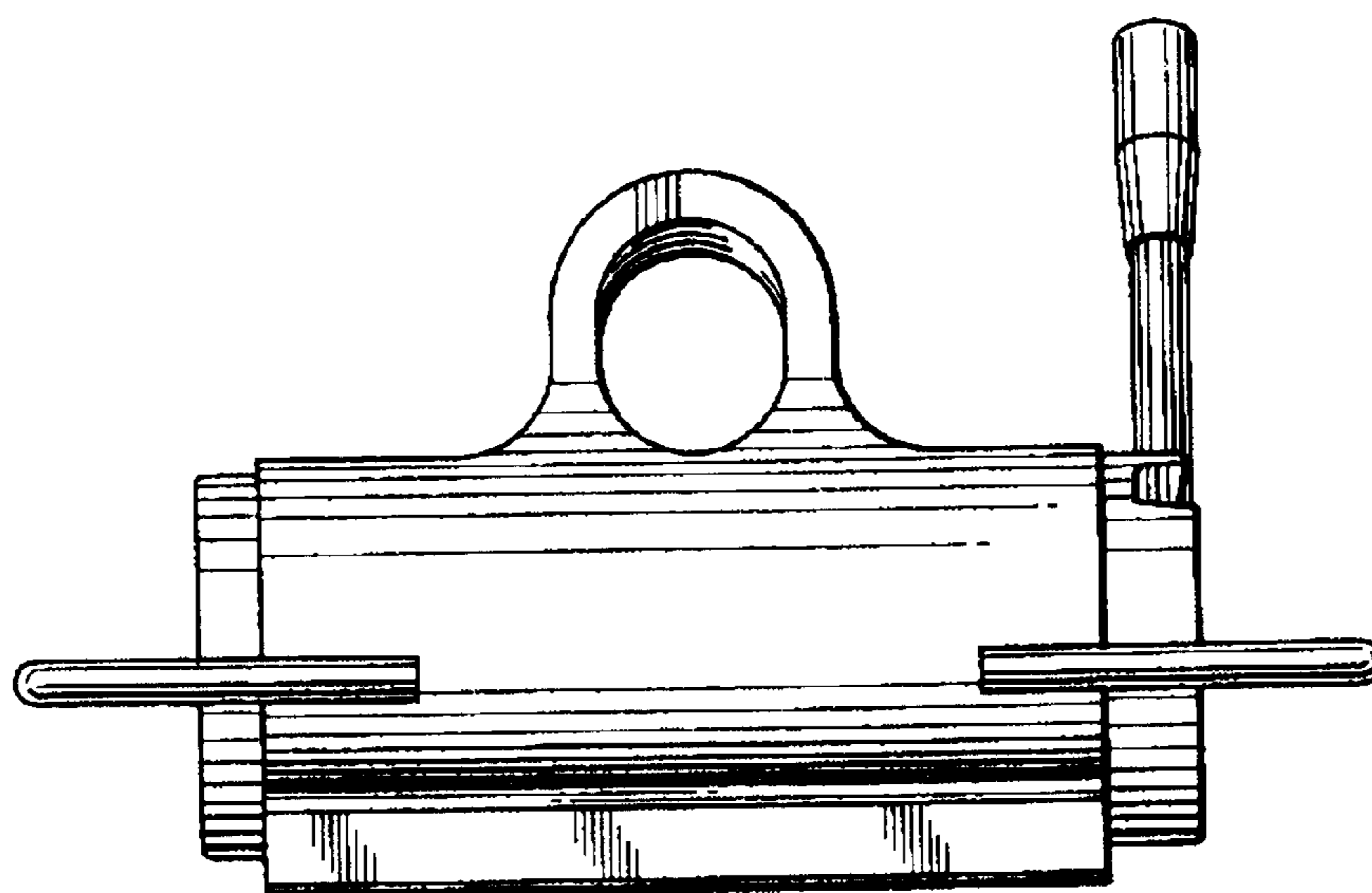


FIG.8

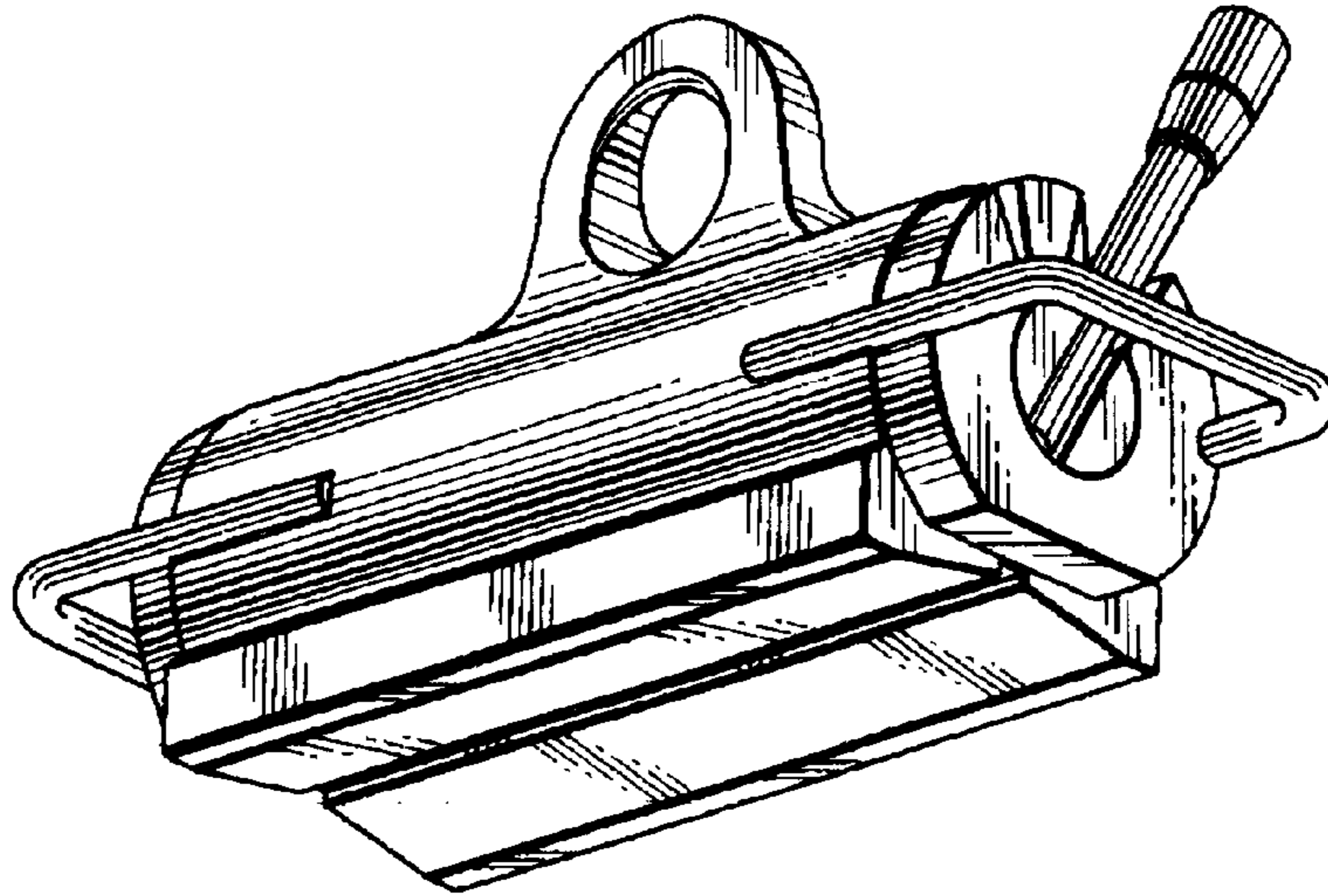


FIG.9

