



US00D536151S

(12) **United States Design Patent**
Rossini et al.

(10) **Patent No.:** **US D536,151 S**
(45) **Date of Patent:** **** Jan. 30, 2007**

(54) **MOBILE COMPUTER CART, OFFSET BASE ASSEMBLY**

D500,575 S * 1/2005 Lucas D34/12

* cited by examiner

(75) Inventors: **Alfred P. Rossini**, Southborough, MA (US); **Louis F. Genatossio**, Shrewsbury, MA (US)

Primary Examiner—Freda S. Nunn
Assistant Examiner—Kevin K. Rudzinski

(73) Assignee: **Jaco, Inc.**, Franklin, MA (US)

(74) *Attorney, Agent, or Firm*—Brian M. Dingman, Esq.; Mirick, O'Connell, DeMallie & Lougee

(**) Term: **14 Years**

(57) **CLAIM**

(21) Appl. No.: **29/227,076**

The ornamental design for a mobile computer cart, offset base assembly, as shown and described.

(22) Filed: **Apr. 6, 2005**

DESCRIPTION

(51) **LOC (8) Cl.** **12-02**

FIG. 1 is a perspective view of the mobile computer cart, offset base assembly of the invention, in which the broken lines that define the bounds of the claimed invention form no part thereof;

(52) **U.S. Cl.** **D34/12**

FIG. 2 is a front elevational view of the mobile computer cart, offset base assembly of FIG. 1;

(58) **Field of Classification Search** D34/12-27;
280/47.34, 79.3, 47.35, 47.26; 248/129, 174;
211/135, 153, 194; D6/426, 422; 108/50.01,
108/59

FIG. 3 is a rear elevational view of the mobile computer cart, offset base assembly of FIG. 1;

See application file for complete search history.

FIG. 4 is a left side elevational view of the mobile computer cart, offset base assembly of FIG. 1;

(56) **References Cited**

FIG. 5 is a right side elevational view of the mobile computer cart, offset base assembly of FIG. 1;

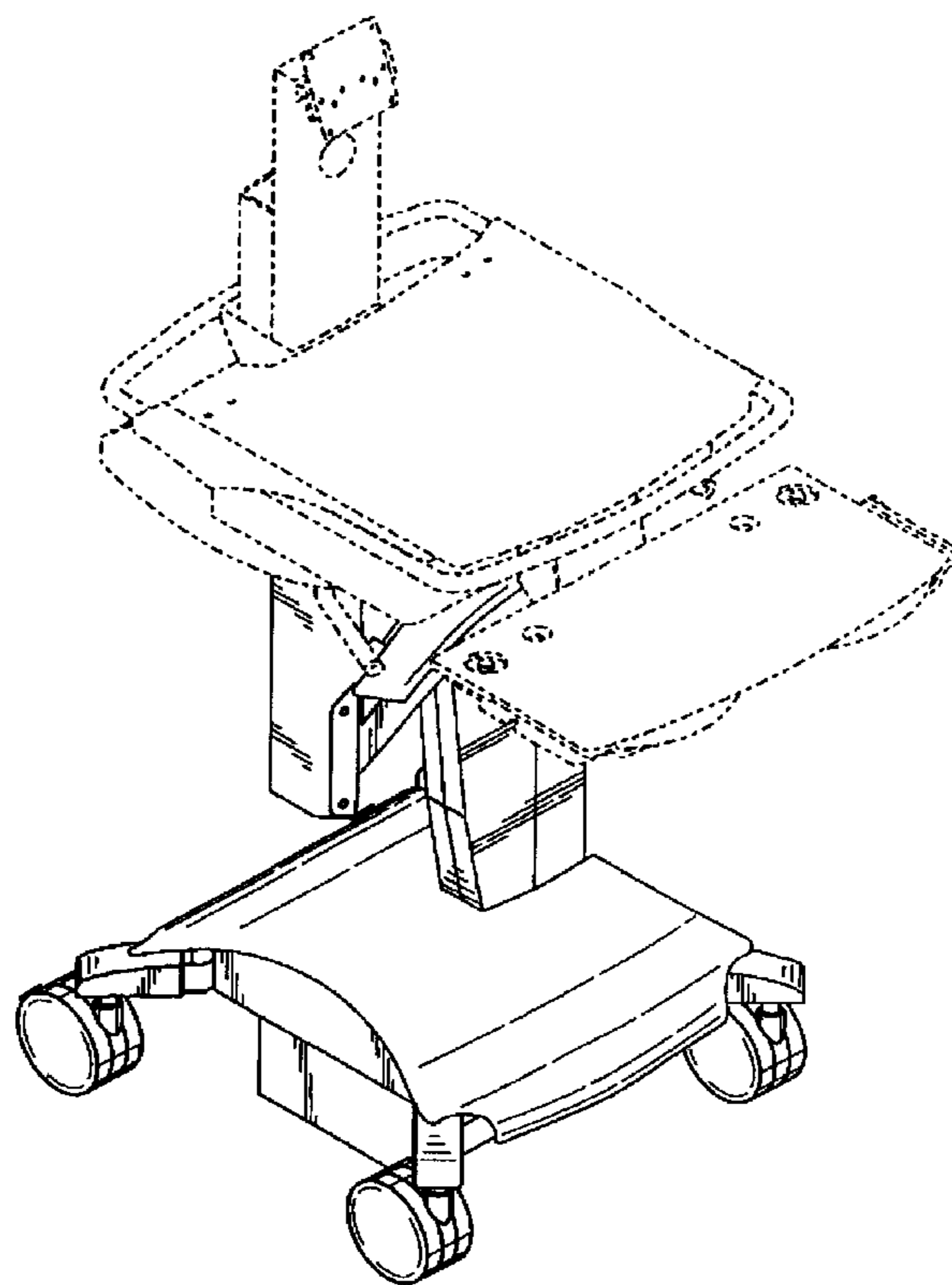
U.S. PATENT DOCUMENTS

FIG. 6 is a top view of the mobile computer cart, offset base assembly of FIG. 1; and,

- D281,364 S * 11/1985 DiFede D34/23
- D426,691 S * 6/2000 Johnson et al. D34/21
- D486,915 S * 2/2004 Warschewske et al. D24/185
- D493,977 S * 8/2004 Rossini et al. D6/426
- D497,462 S * 10/2004 Ryan D34/19

FIG. 7 is a bottom view of the mobile computer cart, offset base assembly of FIG. 1.

1 Claim, 7 Drawing Sheets



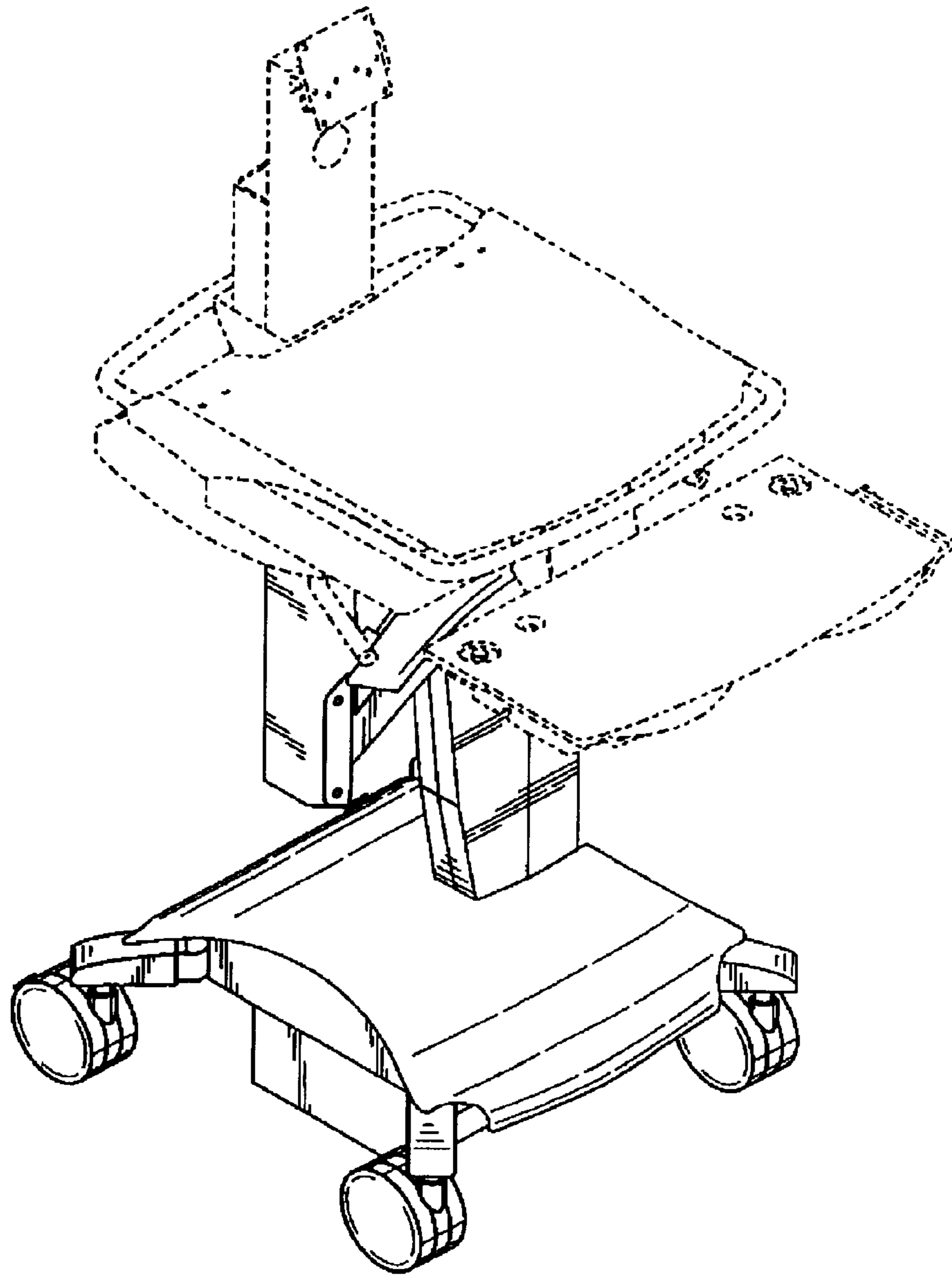


FIG. 1

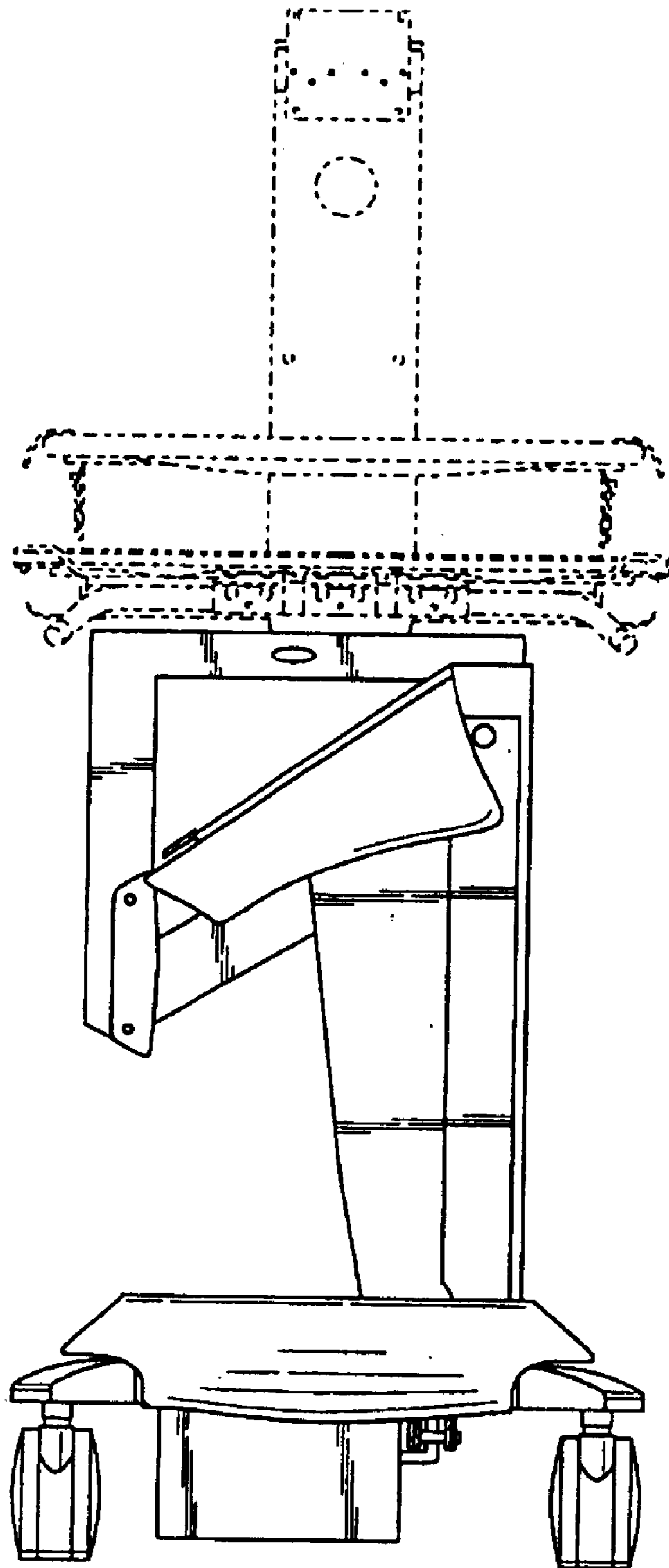


FIG. 2

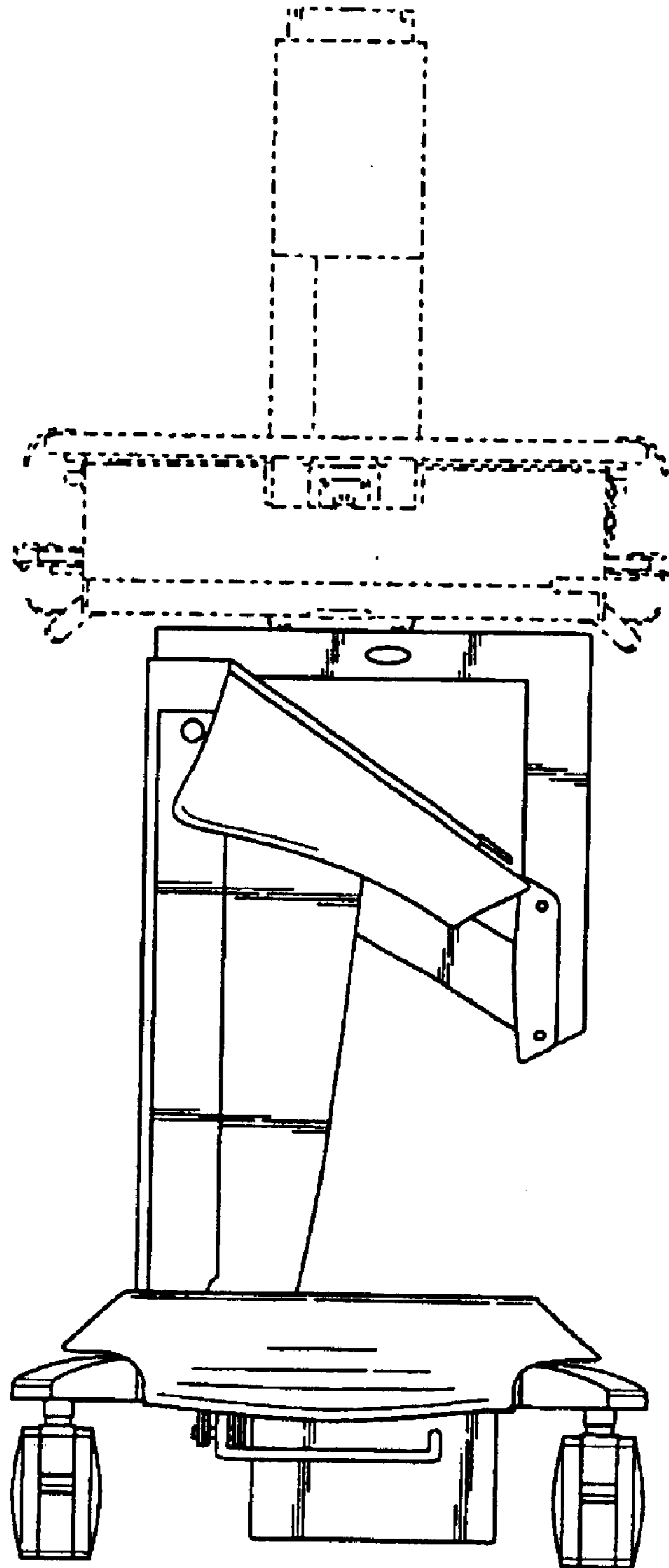


FIG. 3

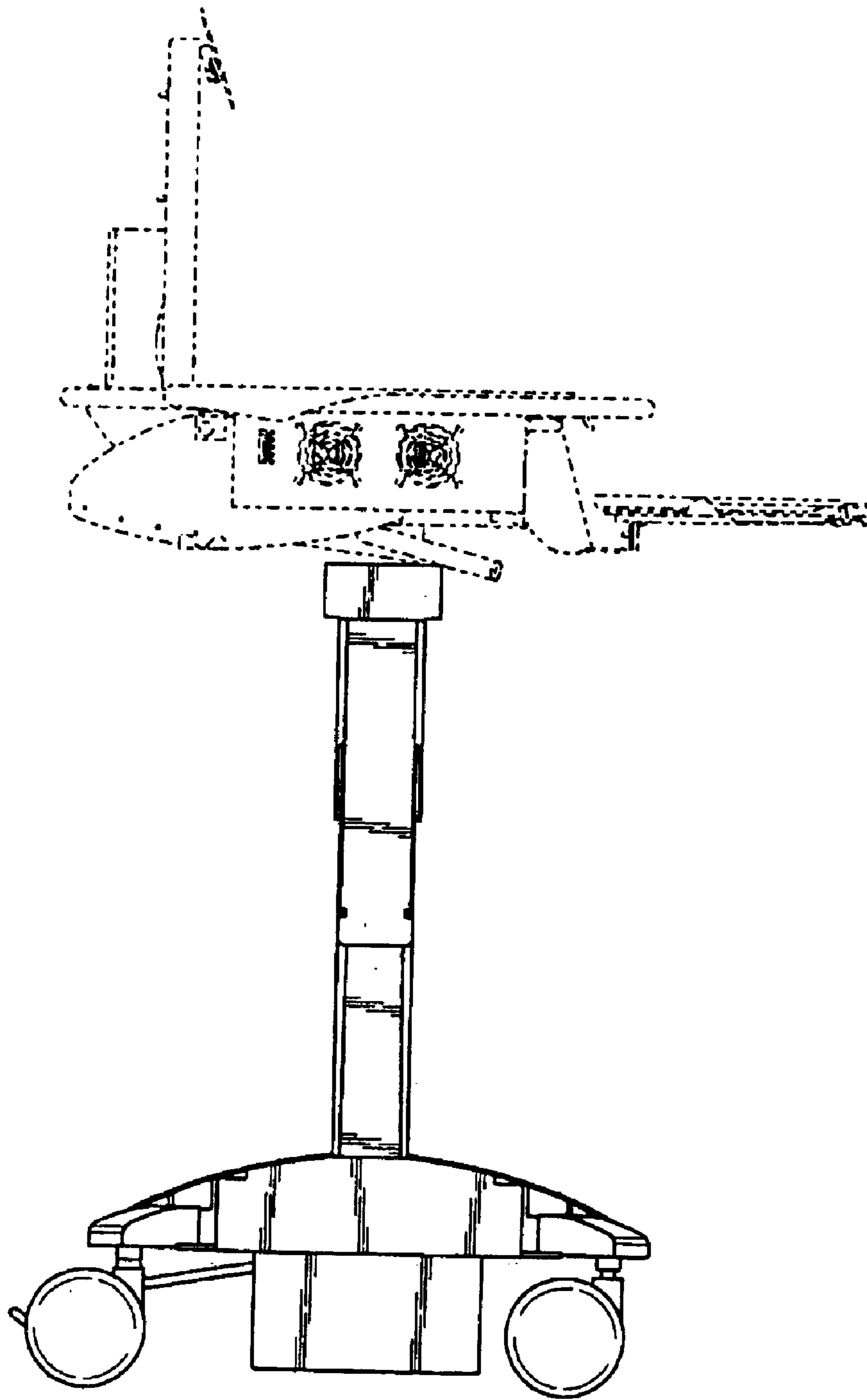


FIG. 4

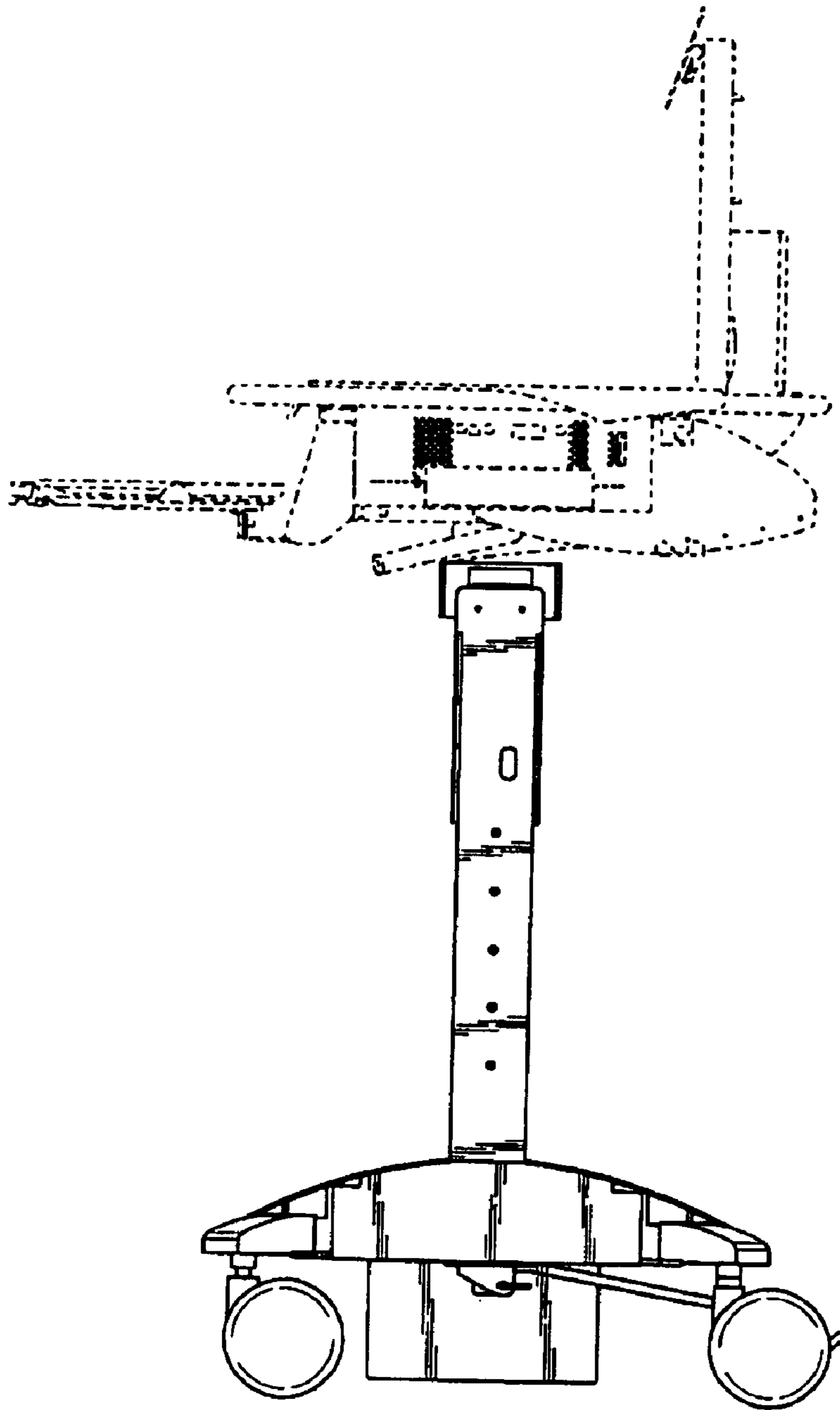


FIG. 5

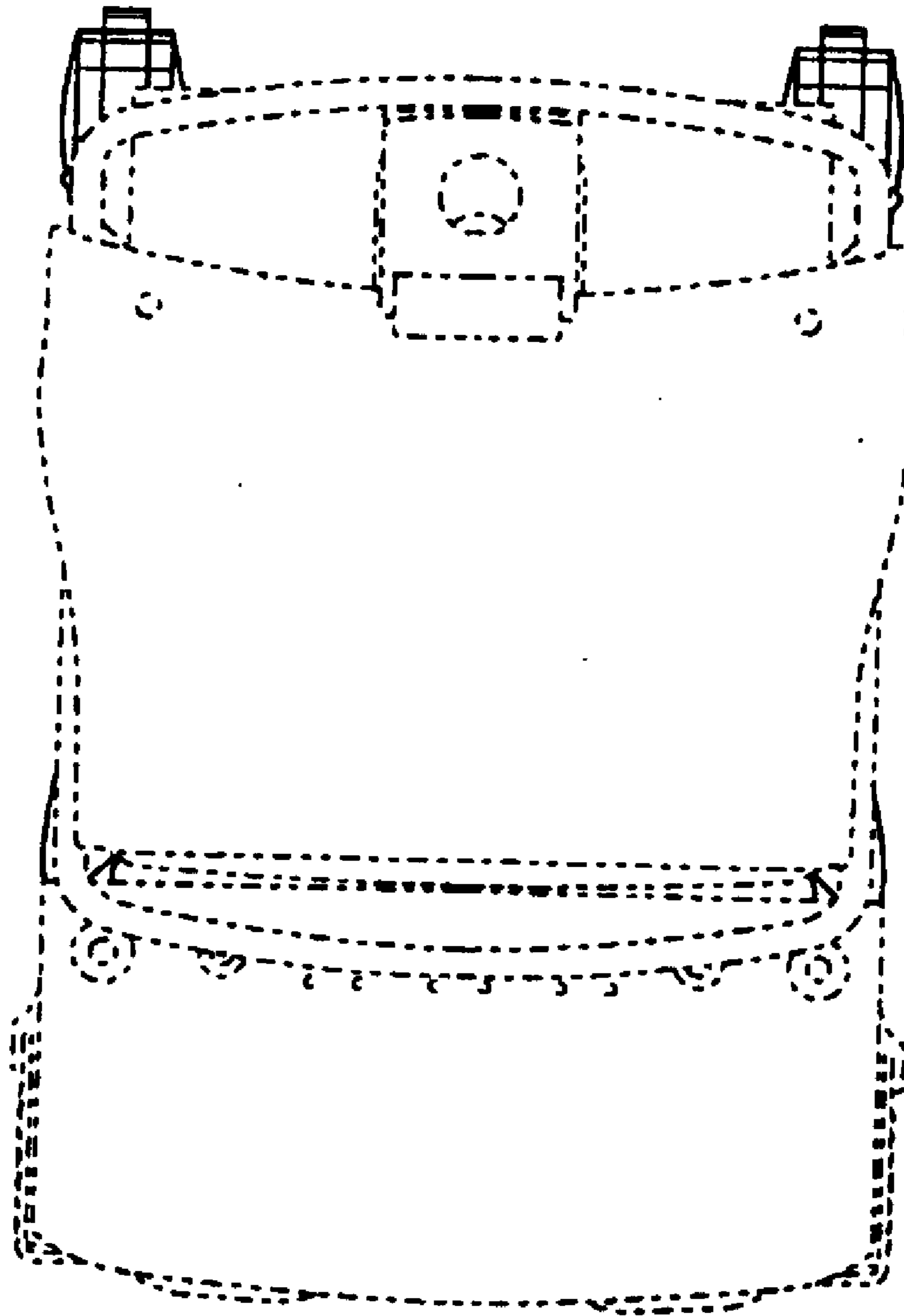


FIG. 6

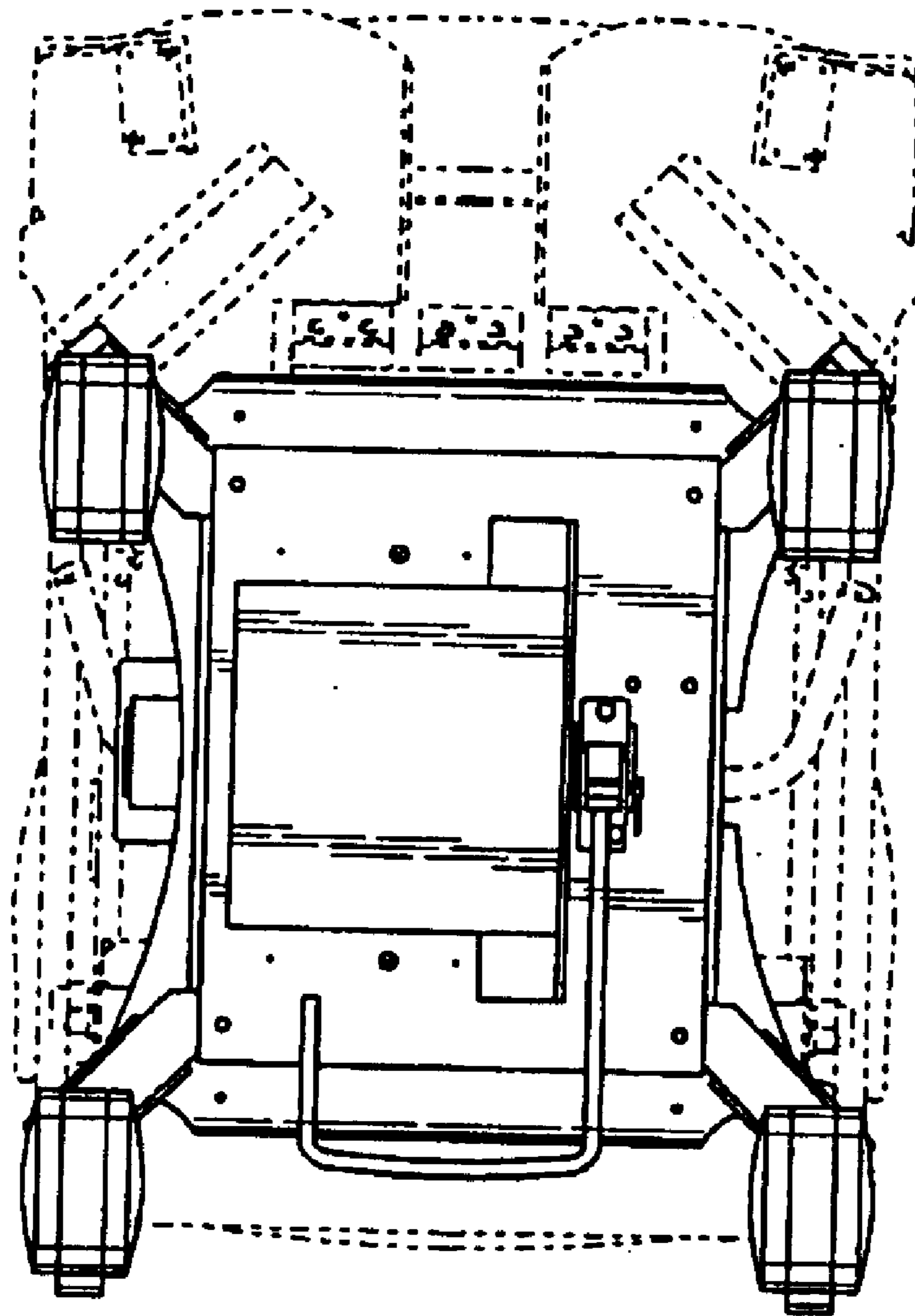


FIG. 7