



US00D536147S

(12) **United States Design Patent**
Medema et al.

(10) **Patent No.:** **US D536,147 S**

(45) **Date of Patent:** **** Jan. 30, 2007**

(54) **PORTABLE EXTRACTOR**

(75) Inventors: **Douglas J. Medema**, Belding, MI (US); **Chad Davis**, Chicago, IL (US); **Dave Seal**, Chicago, IL (US)

(73) Assignee: **Bissell Homecare, Inc.**, Grand Rapids, MI (US)

(**) Term: **14 Years**

(21) Appl. No.: **29/229,179**

(22) Filed: **May 4, 2005**

D398,100 S	9/1998	Stephens et al.	
D418,643 S	1/2000	Hoshino	
D426,037 S	* 5/2000	Roberts et al. D32/18
D430,365 S	* 8/2000	Roberts et al. D32/18
D443,960 S	* 6/2001	Shimko et al. D32/18
D452,594 S	* 12/2001	Rosa D32/21
D462,488 S	9/2002	Santiago et al.	
6,550,098 B2	* 4/2003	Roberts et al. 15/320
D481,843 S	* 11/2003	Downey et al. D32/18
6,658,693 B1	* 12/2003	Reed, Jr. 15/321
D496,764 S	* 9/2004	Lopano D32/21
D500,180 S	* 12/2004	Meyer D32/17
6,968,593 B1	* 11/2005	Lenkiewicz et al. 15/320

* cited by examiner

Related U.S. Application Data

(63) Continuation-in-part of application No. 29/201,726, filed on Mar. 19, 2004.

(51) **LOC (8) Cl.** **15-05**

(52) **U.S. Cl.** **D32/18**

(58) **Field of Classification Search** D32/15-18, D32/21, 22-24, 31; 15/314, 324, 344, 329, 15/347, 320-321, 412, DIG. 1, 353-354, 15/301, 385, 93.1, 405, 330, 415.1, 327.5, 15/323

See application file for complete search history.

(56) **References Cited**

U.S. PATENT DOCUMENTS

D295,566 S	* 5/1988	Hetherington et al. D32/18
D325,451 S	4/1992	Pino	
D386,842 S	11/1997	Hoshino et al.	

Primary Examiner—Ruth McInroy

(74) *Attorney, Agent, or Firm*—McGarry Bair PC

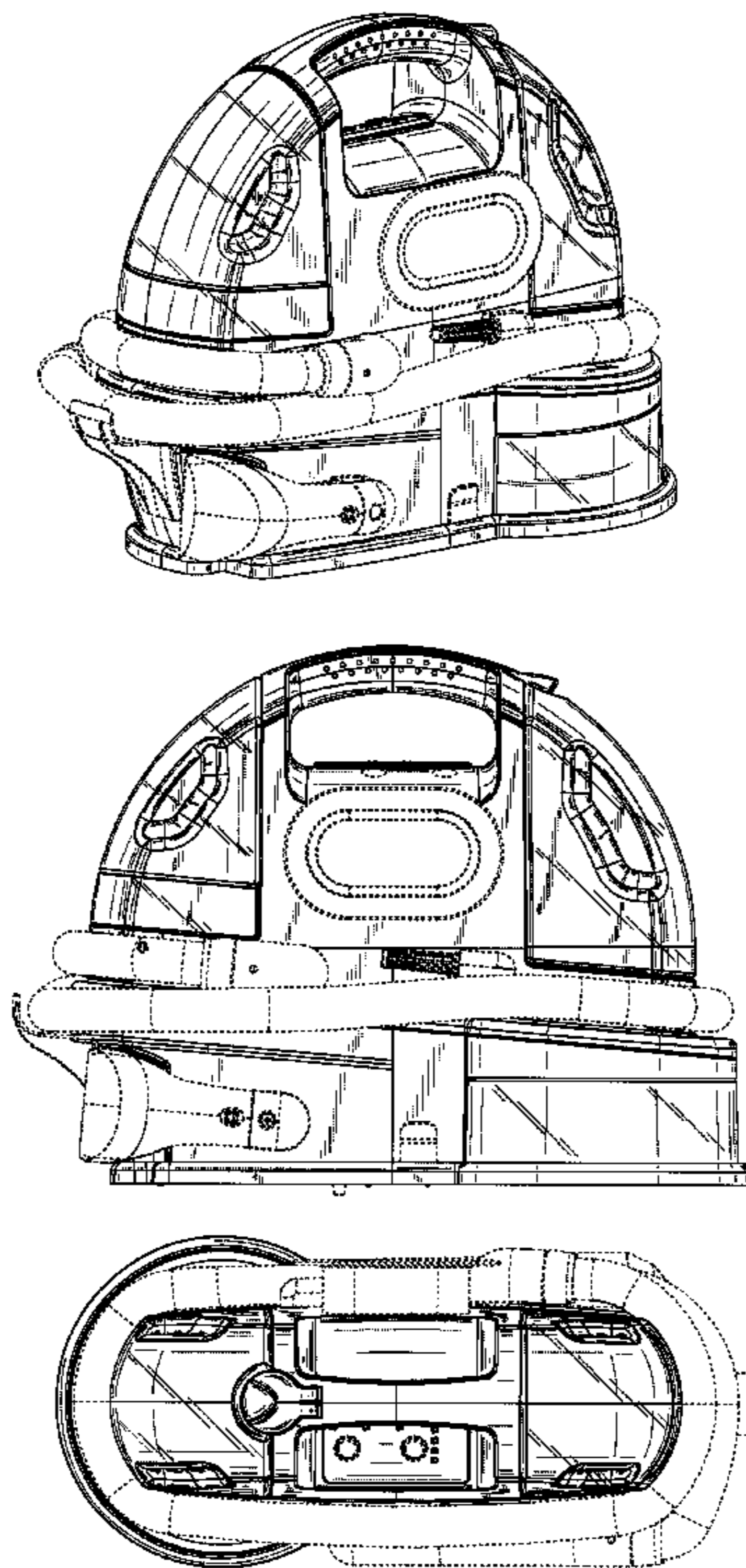
(57) **CLAIM**

The ornamental design for a portable extractor, as shown and described.

DESCRIPTION

FIG. 1 is a front perspective view of a first embodiment of a portable extractor which embodies our design; FIG. 2 is a rear perspective view thereof; FIG. 3 is a right side view thereof; FIG. 4 is a left side view thereof; FIG. 5 is a front view thereof; FIG. 6 is a rear thereof; and, FIG. 7 is a top view thereof.

1 Claim, 7 Drawing Sheets



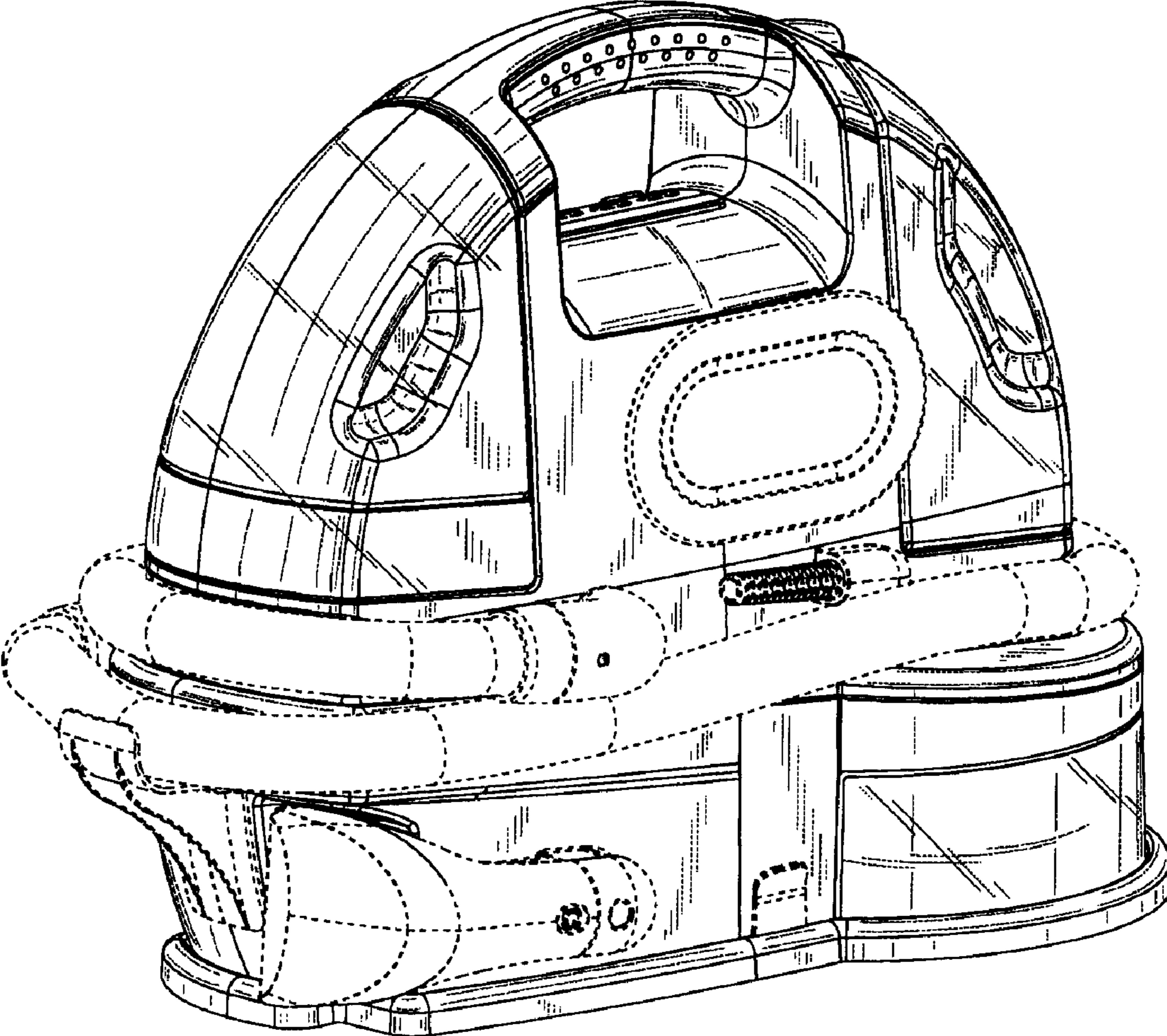


Fig. 1

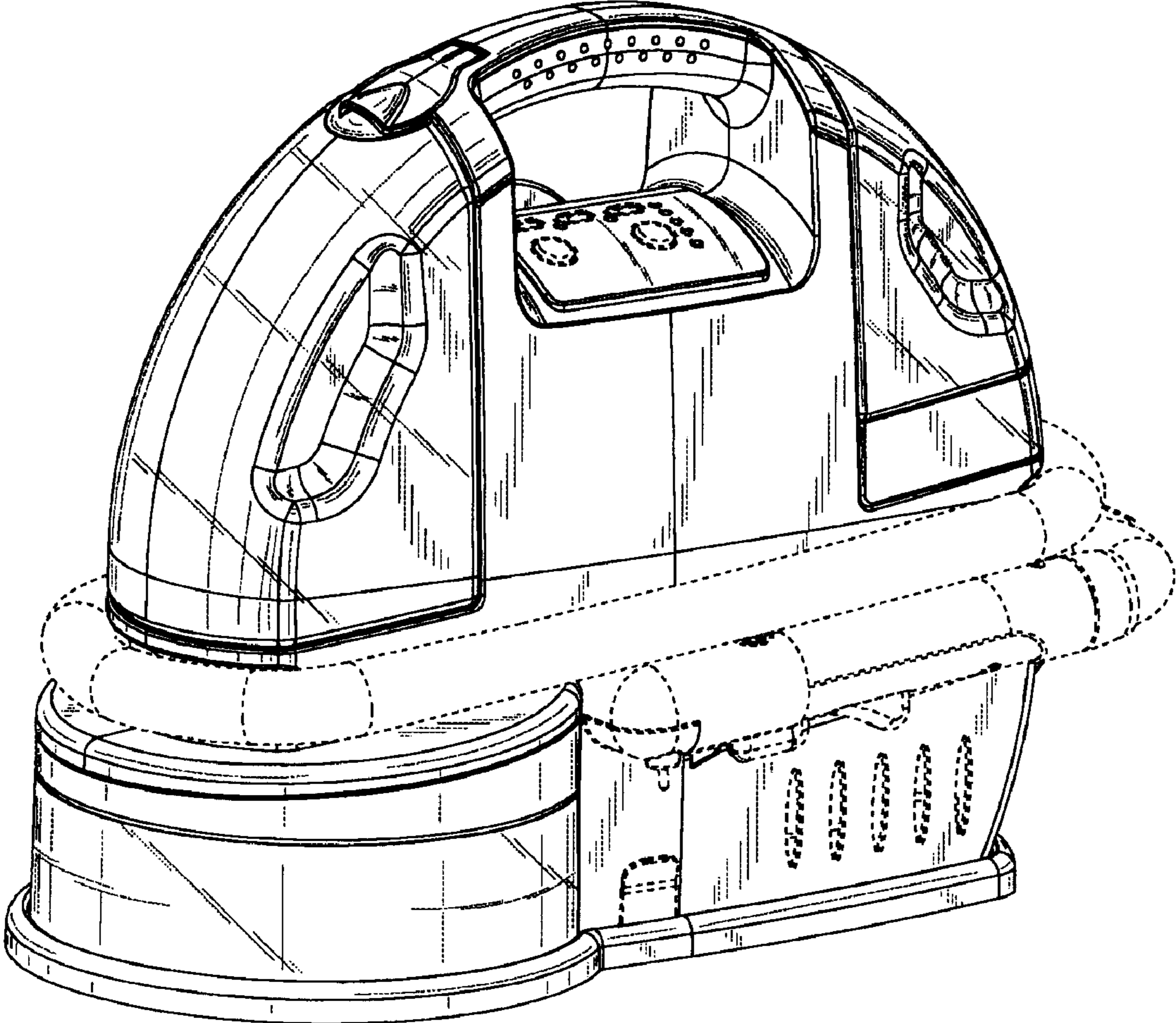


Fig. 2

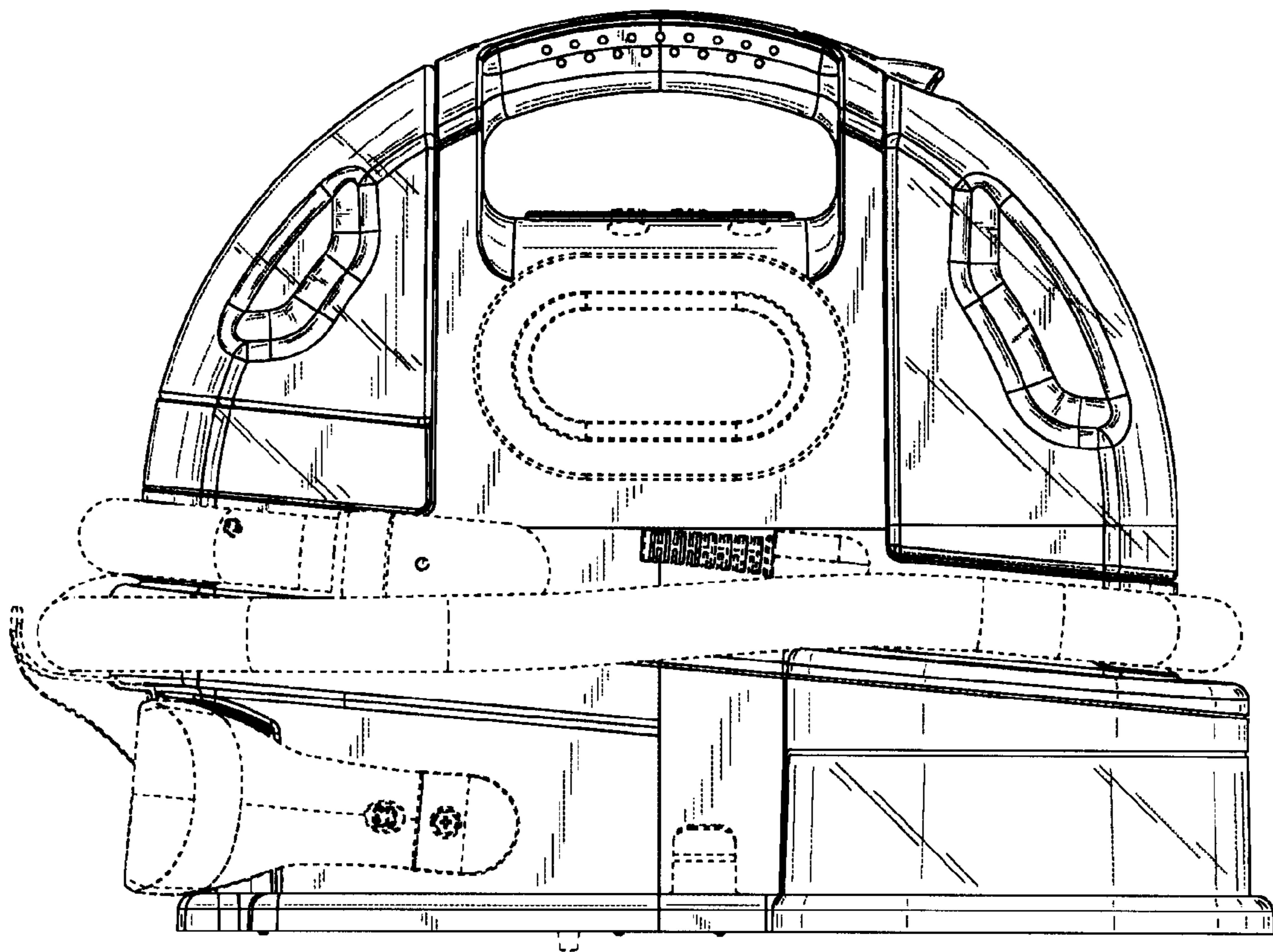


Fig. 3

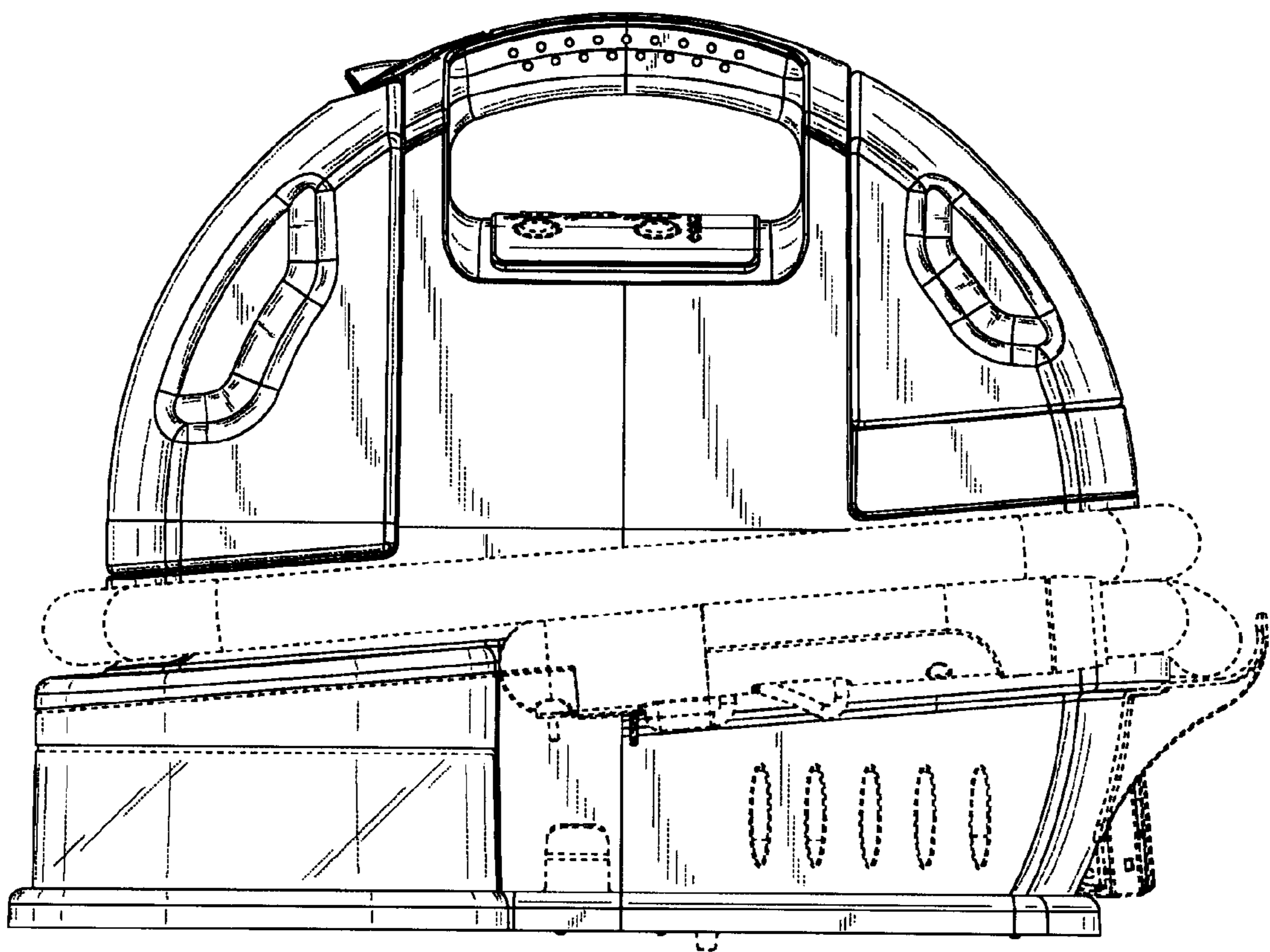


Fig. 4

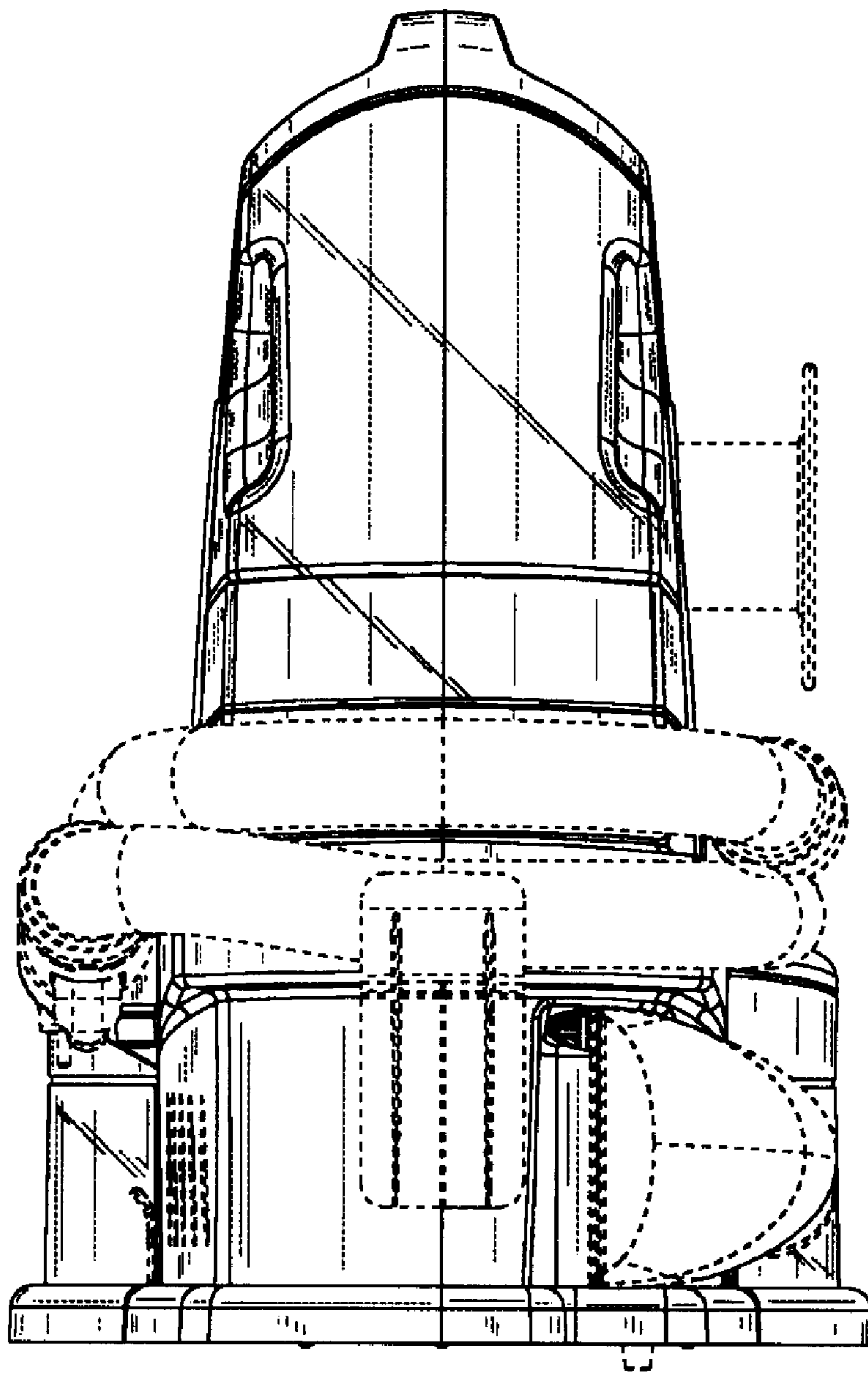


Fig. 5

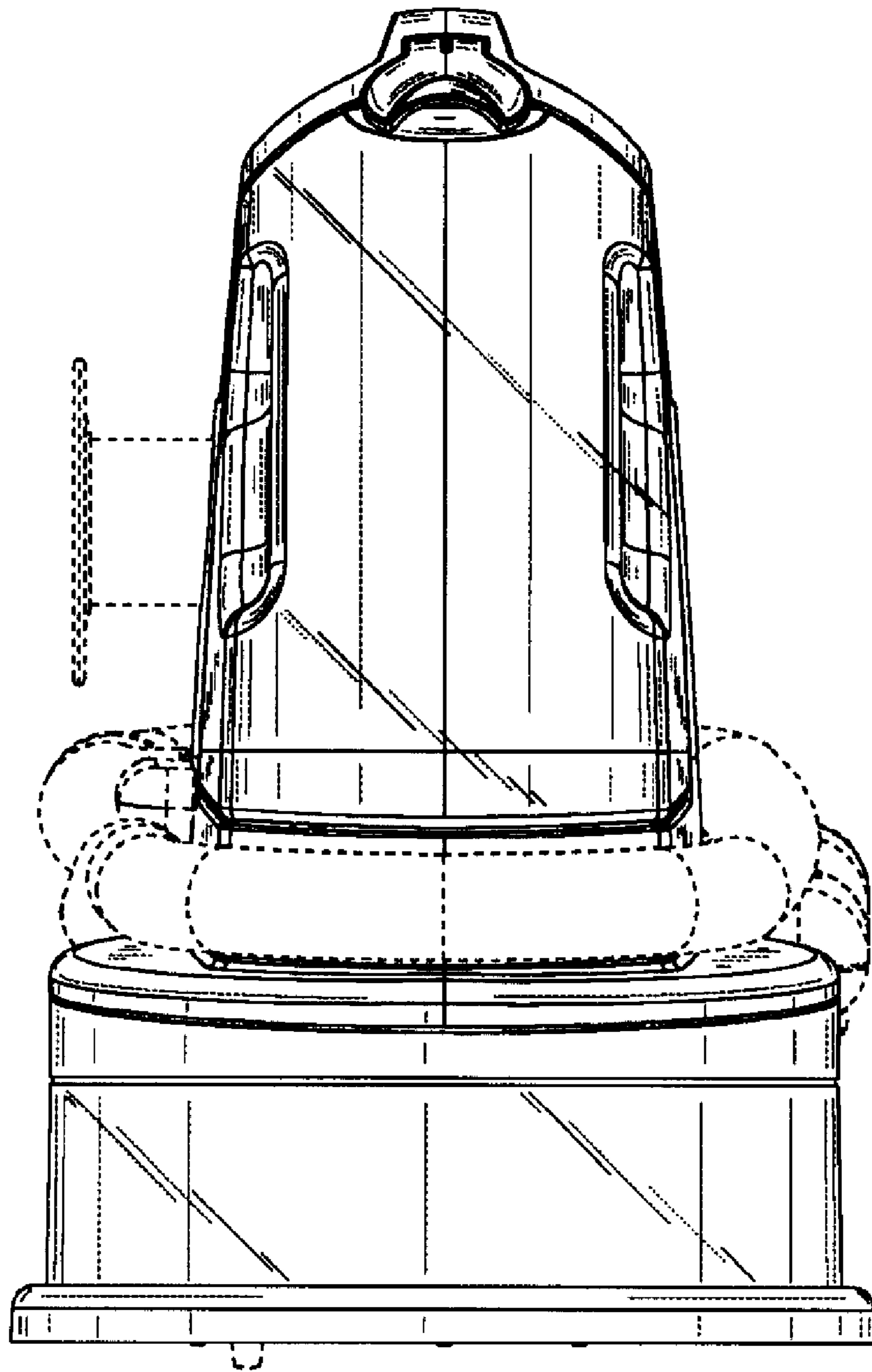


Fig. 6

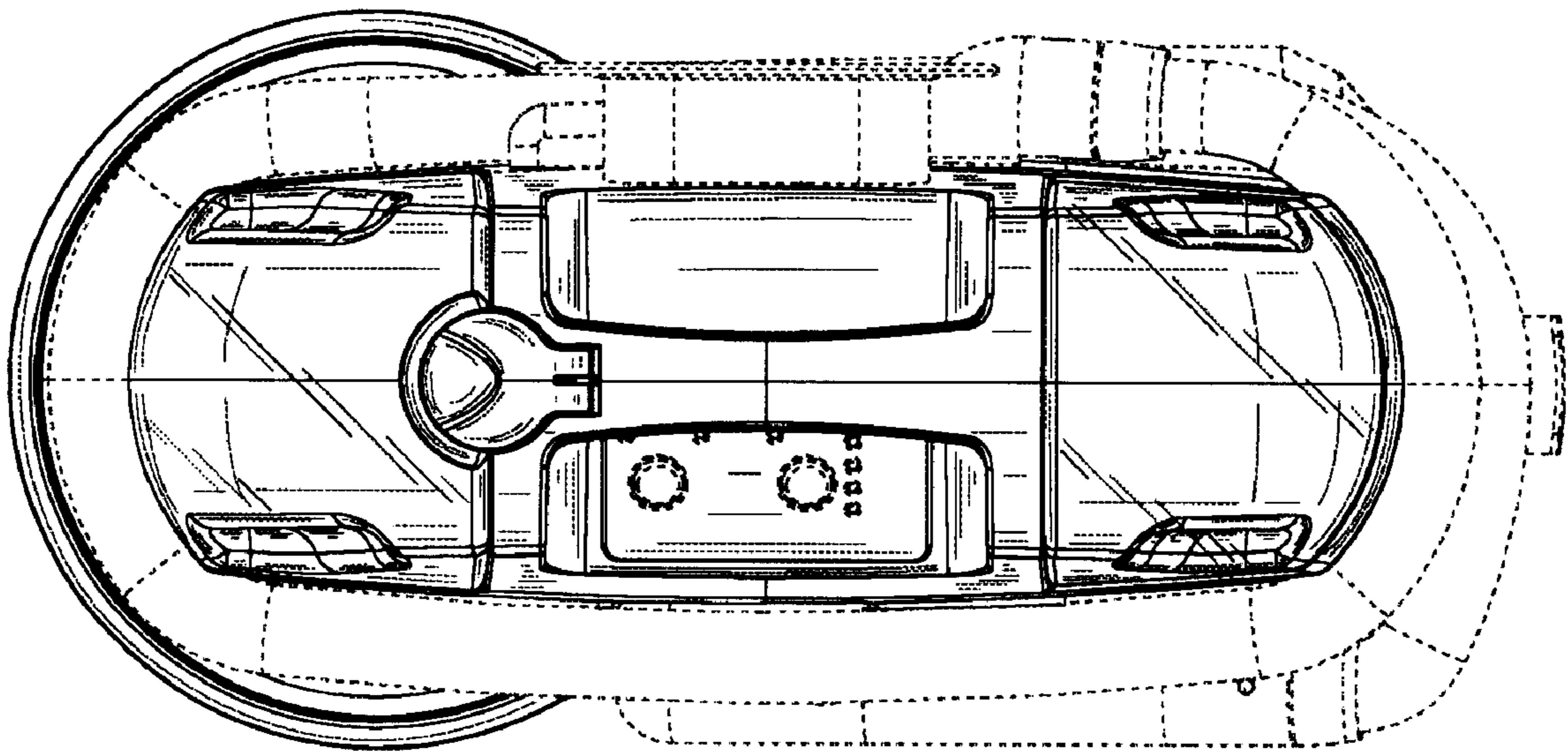


Fig. 7