



US00D536145S

(12) **United States Design Patent**
Lee et al.

(10) **Patent No.:** **US D536,145 S**
(45) **Date of Patent:** **** Jan. 30, 2007**

(54) **WASHING MACHINE**

(75) Inventors: **Jae Hyun Lee**, Seoul (KR); **Hyung Jun Kim**, Kyungg-do (KR); **Zin Woo Park**, Seoul (KR); **Jee Su Hong**, Seoul (KR); **Young Seok Lee**, Seoul (KR)

(73) Assignee: **Samsung Electronics Co., Ltd.** (KR)

(**) Term: **14 Years**

(21) Appl. No.: **29/255,739**

(22) Filed: **Mar. 9, 2006**

(51) **LOC (8) Cl.** **15-05**

(52) **U.S. Cl.** **D32/6**

(58) **Field of Classification Search** D32/1,
D32/5-10, 25, 28; 68/3 R, 5 R, 12.01; 34/523-524;
312/31

See application file for complete search history.

(56) **References Cited**

U.S. PATENT DOCUMENTS

2,634,595 A * 4/1953 Olson 68/23.5
D177,010 S * 3/1956 Boldt D32/6
D236,152 S * 7/1975 Yamamoto D32/8

* cited by examiner

Primary Examiner—Louis S. Zarfaz

Assistant Examiner—Kathleen Sims

(74) *Attorney, Agent, or Firm*—Irving Keschner

(57) **CLAIM**

The ornamental design for washing machine, as shown.

DESCRIPTION

FIG. 1 is a perspective view of the ornamental design of the present invention;

FIG. 2 is a front elevational view of the ornamental design of the present invention;

FIG. 3 is a rear elevational view of the ornamental design of the present invention;

FIG. 4 is a left side elevational view of the ornamental design of the present invention;

FIG. 5 is a right side elevational view of the ornamental design of the present invention;

FIG. 6 is a top plan view of the ornamental design of the present invention;

FIG. 7 is a bottom view of the ornamental design of the present invention; and,

FIG. 8 shows the washing machine of the present invention with the door open.

1 Claim, 7 Drawing Sheets

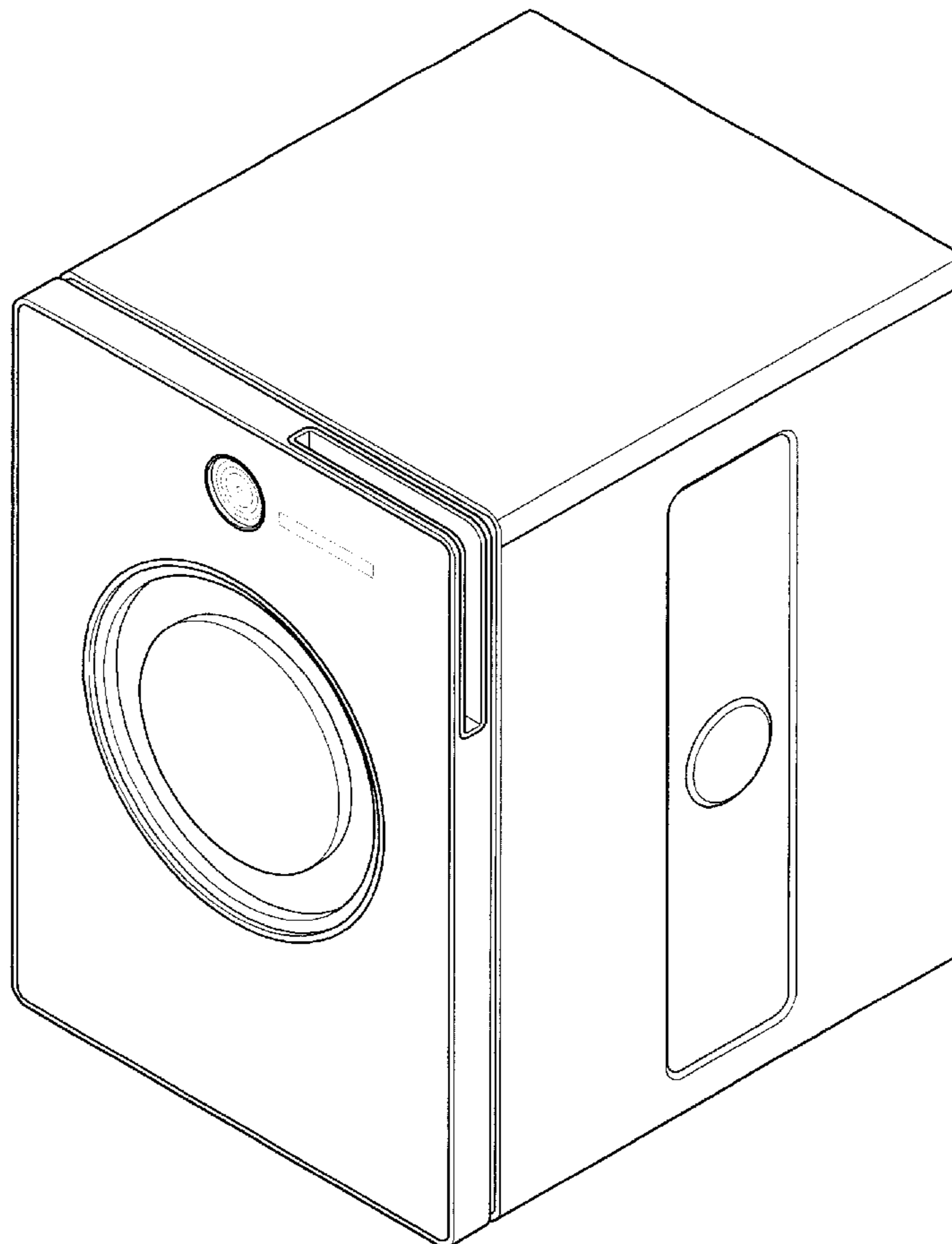


Fig. 1

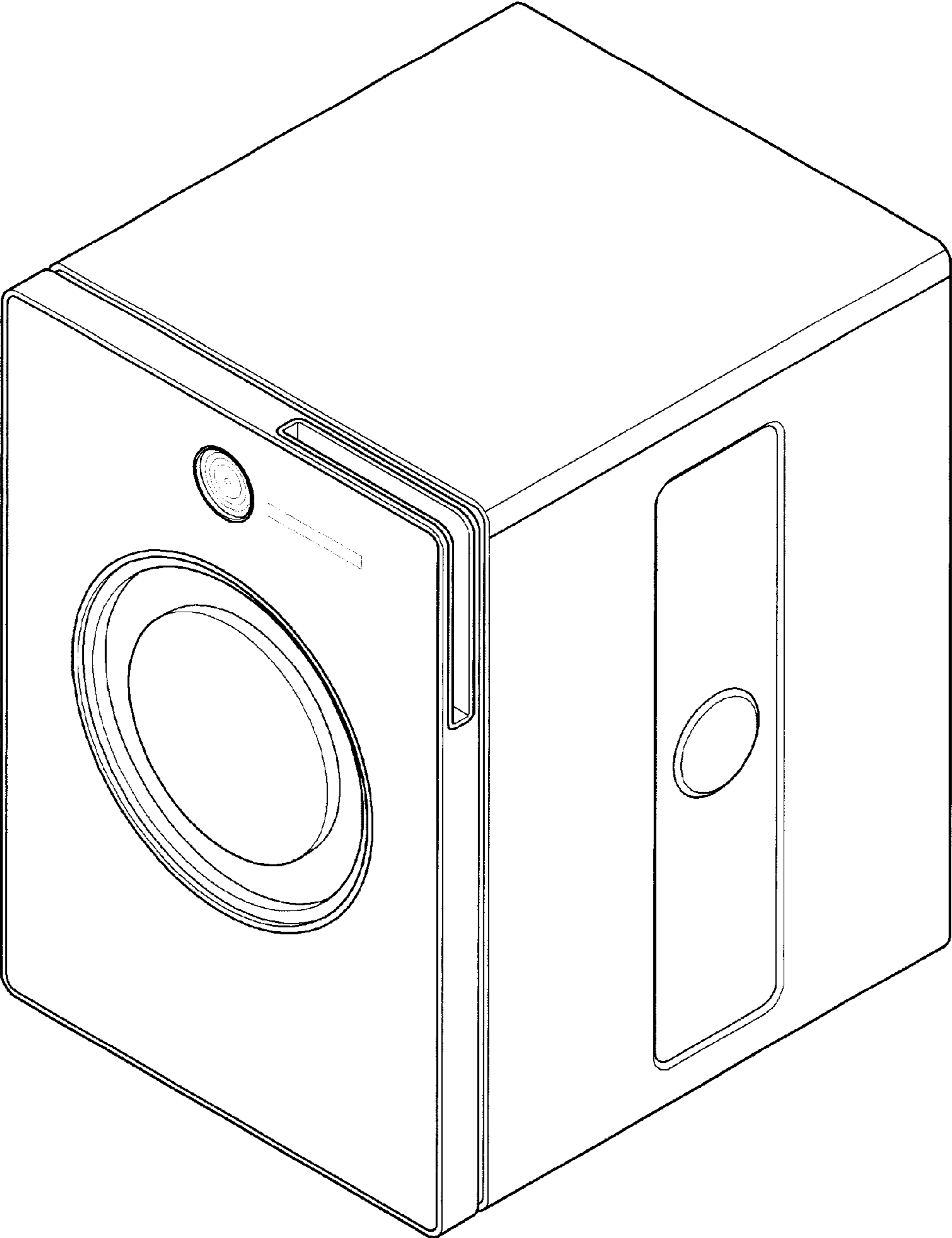


Fig. 2

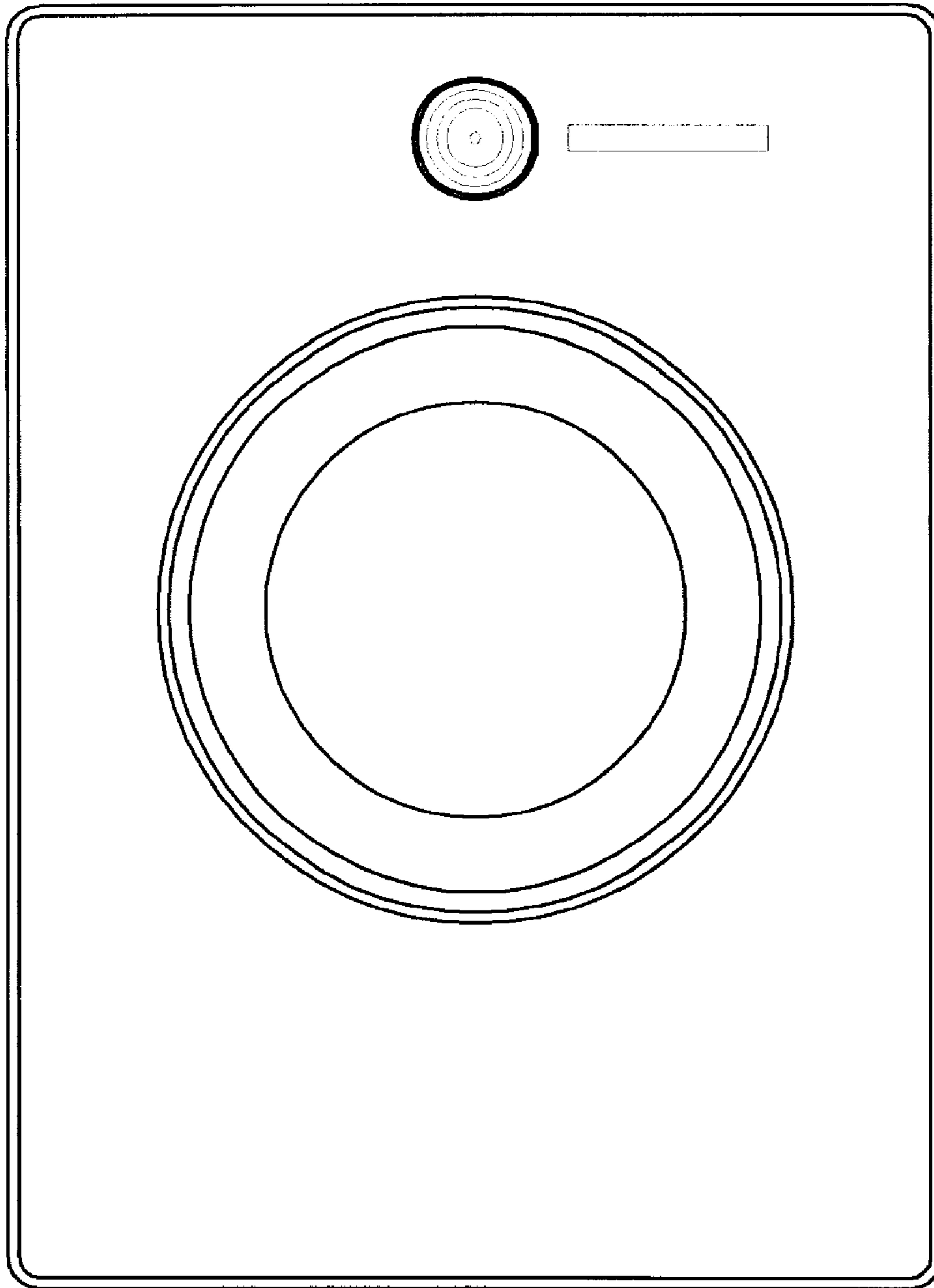


Fig. 3

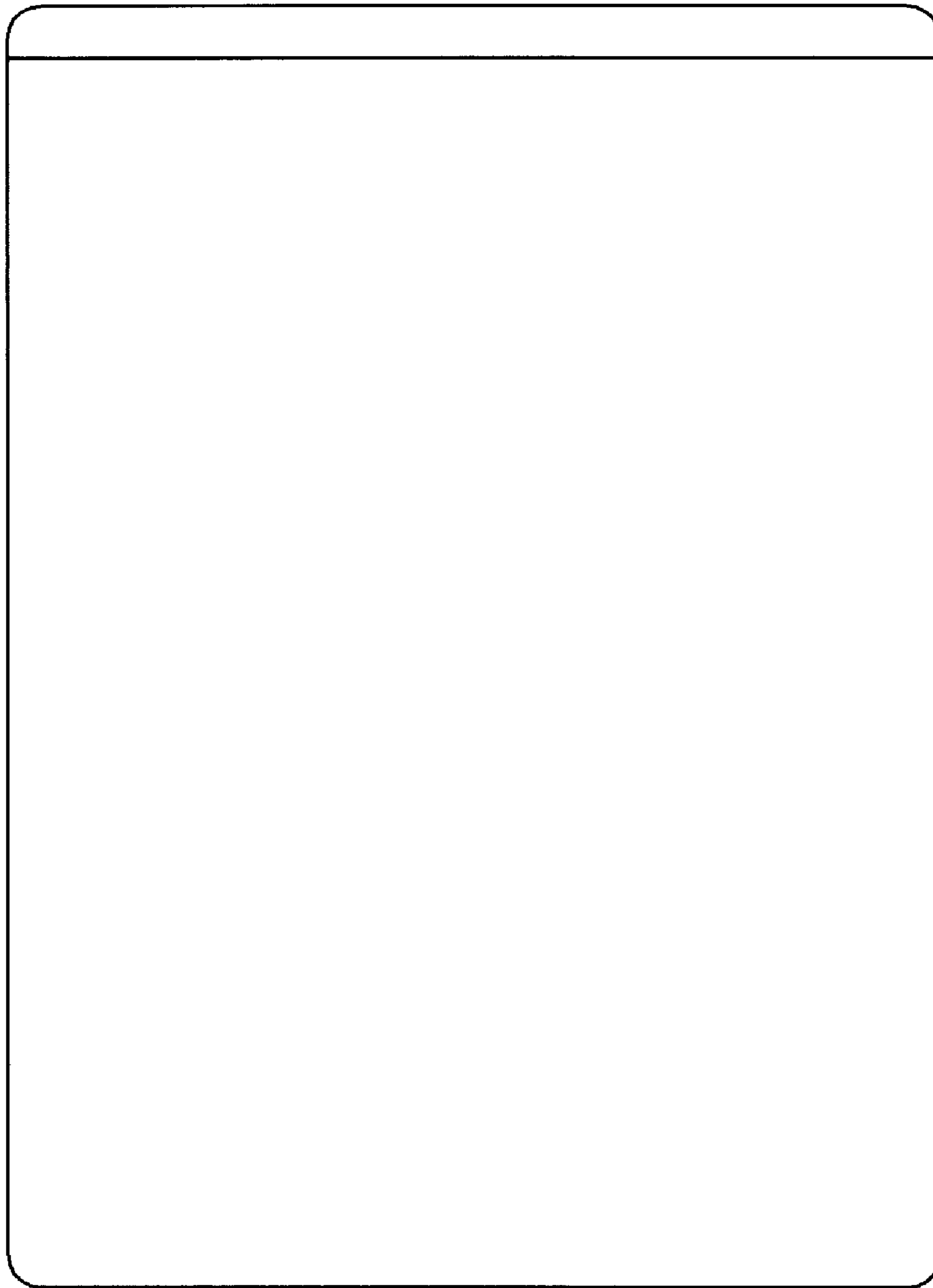


Fig. 4

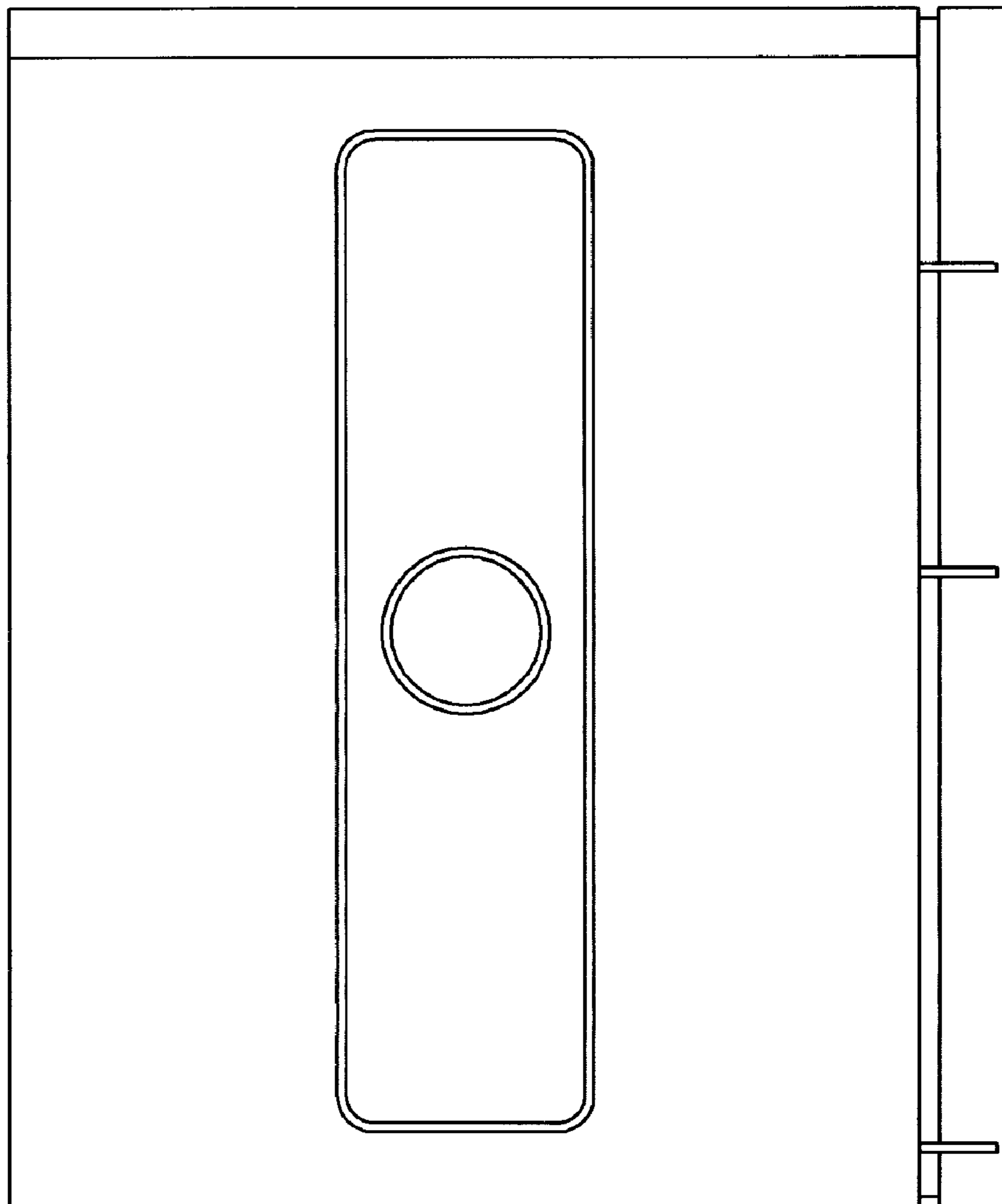


Fig. 5

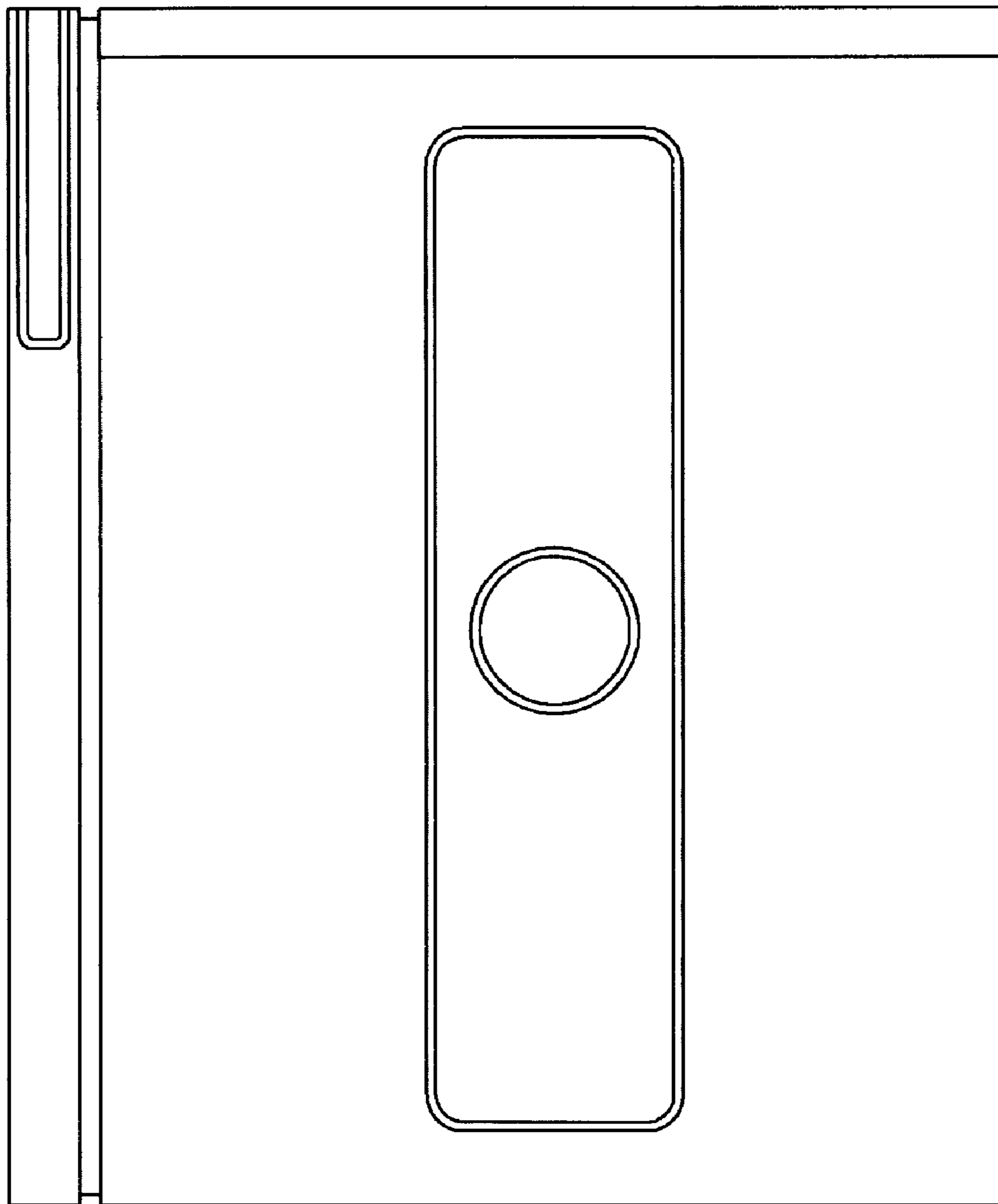


Fig. 6

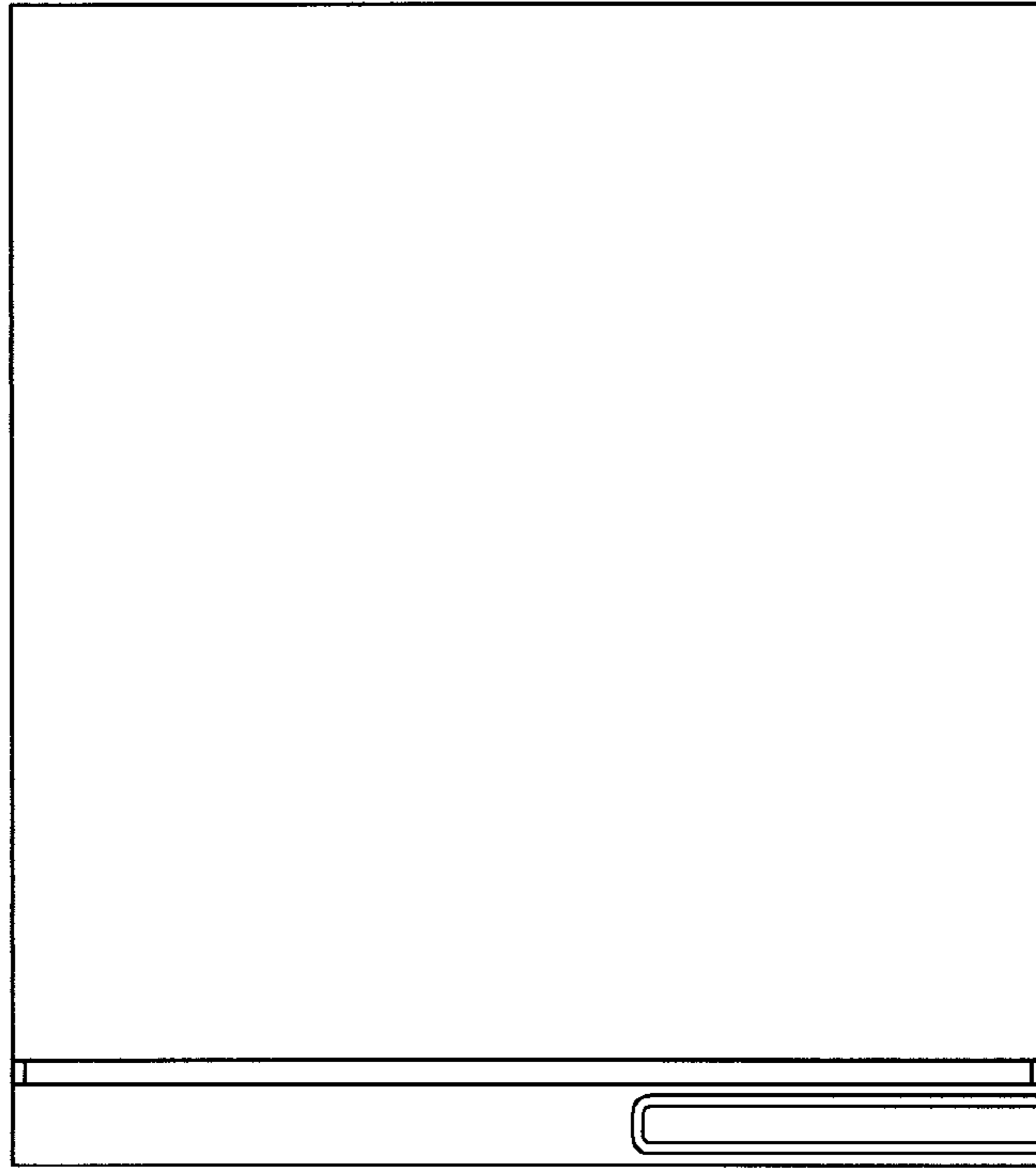


Fig. 7

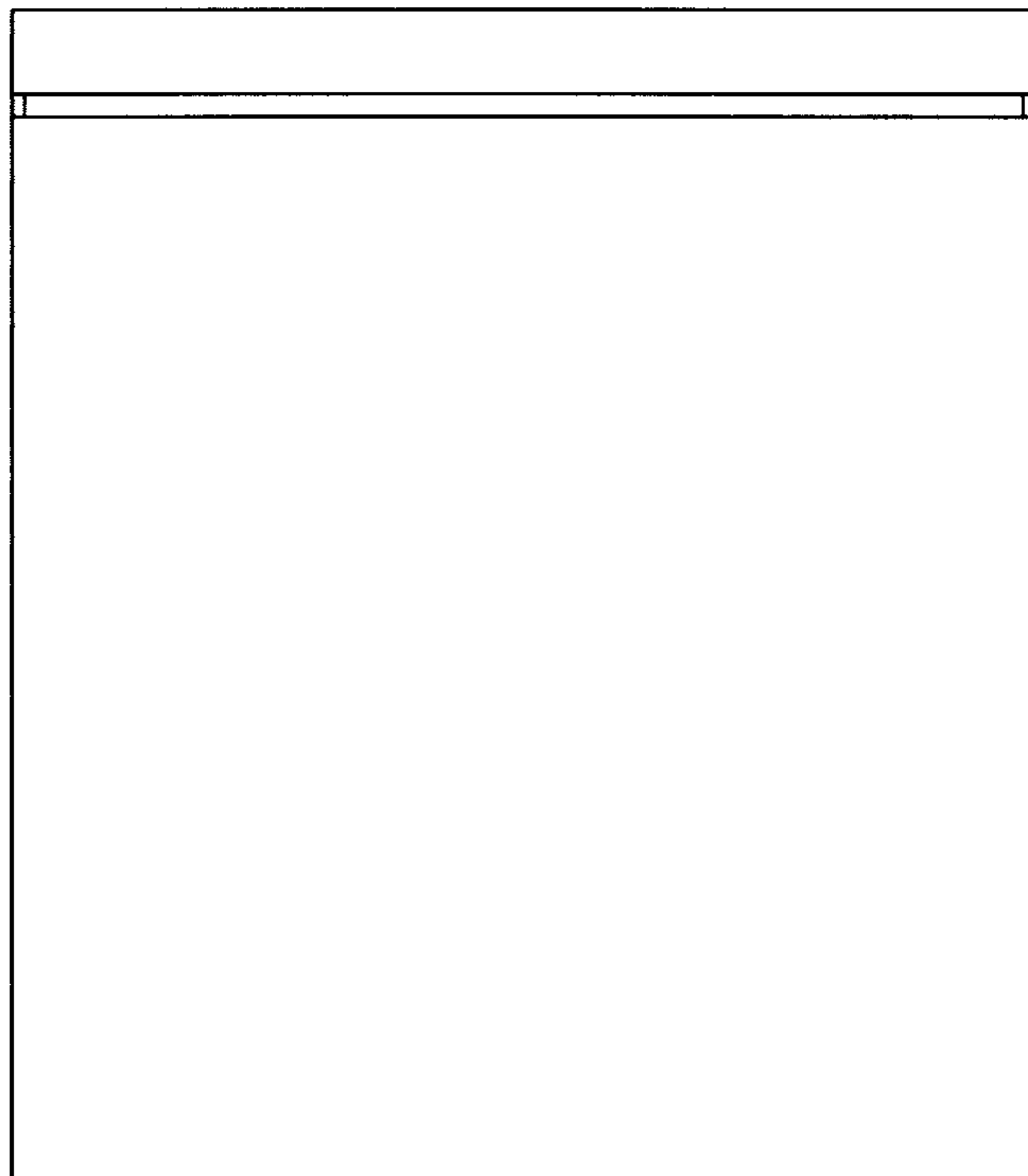


Fig. 8

