



US00D536130S

(12) **United States Design Patent**
Jekel et al.

(10) **Patent No.: US D536,130 S**
(45) **Date of Patent: ** Jan. 30, 2007**

(54) **DETERGENT CAPSULE**

(75) Inventors: **Maren Jekel**, Willich (DE); **Salvatore Fileccia**, Oberhausen (DE); **Ulf Arno Timmann**, Cologne (DE); **Hans-Georg Muehlhausen**, Duesseldorf (DE)

(73) Assignee: **Henkel Kommanditgesellschaft Auf Aktien (Henkel KGaA)**, Dusseldorf (DE)

(**) Term: **14 Years**

(21) Appl. No.: **29/260,793**

(22) Filed: **May 31, 2006**

Related U.S. Application Data

(62) Division of application No. 29/217,078, filed on Nov. 12, 2004.

(30) **Foreign Application Priority Data**

May 12, 2004 (EM) 000174693

(51) **LOC (8) Cl.** **28-03**

(52) **U.S. Cl.** **D28/8.1**

(58) **Field of Classification Search** 510/147, 510/194, 220, 221, 224, 225, 294, 439, 440-442, 510/447-449; D24/101-103; D28/8.1, 8.2; D9/425, 432

See application file for complete search history.

(56) **References Cited**

U.S. PATENT DOCUMENTS

1,791,359 A 2/1931 Henkriksen

D431,094 S 9/2000 Forward
D479,127 S 9/2003 Jowett
D479,128 S 9/2003 Jowett
D486,733 S 2/2004 Murning
D487,165 S 2/2004 Hammond et al.
2003/0040453 A1 2/2003 Hinton

FOREIGN PATENT DOCUMENTS

GB 2104090 * 8/2001
GB 2106550 * 11/2001
GB 000068135-001 6/2003

* cited by examiner

Primary Examiner—Jennifer Rivard

(74) *Attorney, Agent, or Firm*—Dann, Dorfman, Herrell and Skillman; Henry H. Skillman

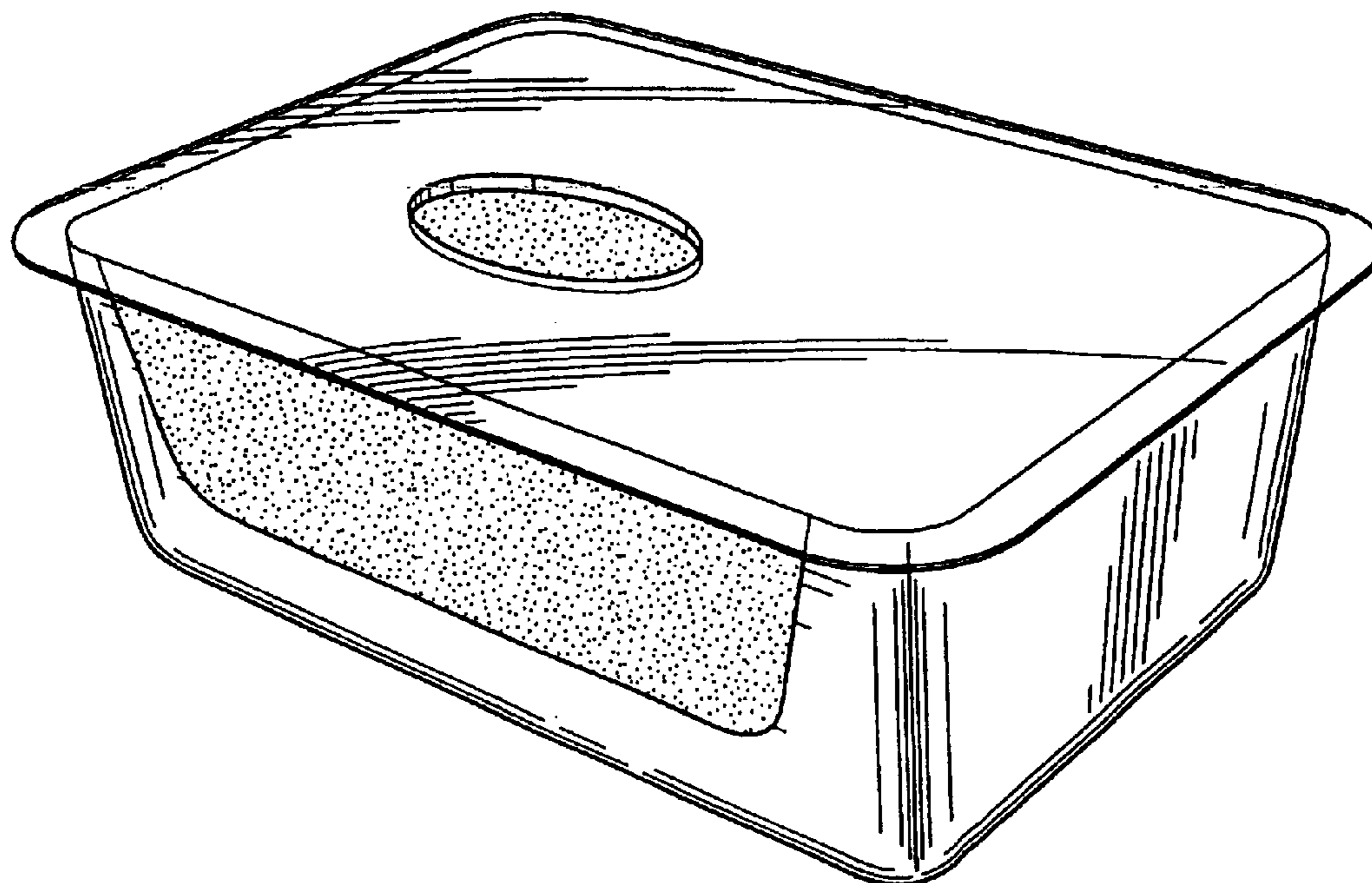
(57) **CLAIM**

We claim the ornamental design for a detergent capsule, as shown and described.

DESCRIPTION

FIG. 1 is a top right front perspective view of a detergent capsule according to the new design;
FIG. 2 is a rear elevation view thereof;
FIG. 3 is a front elevation view thereof;
FIG. 4 is a left elevation view thereof;
FIG. 5 is a right elevation view thereof;
FIG. 6 is a top plan view thereof; and,
FIG. 7 is a bottom plan view thereof.

1 Claim, 4 Drawing Sheets



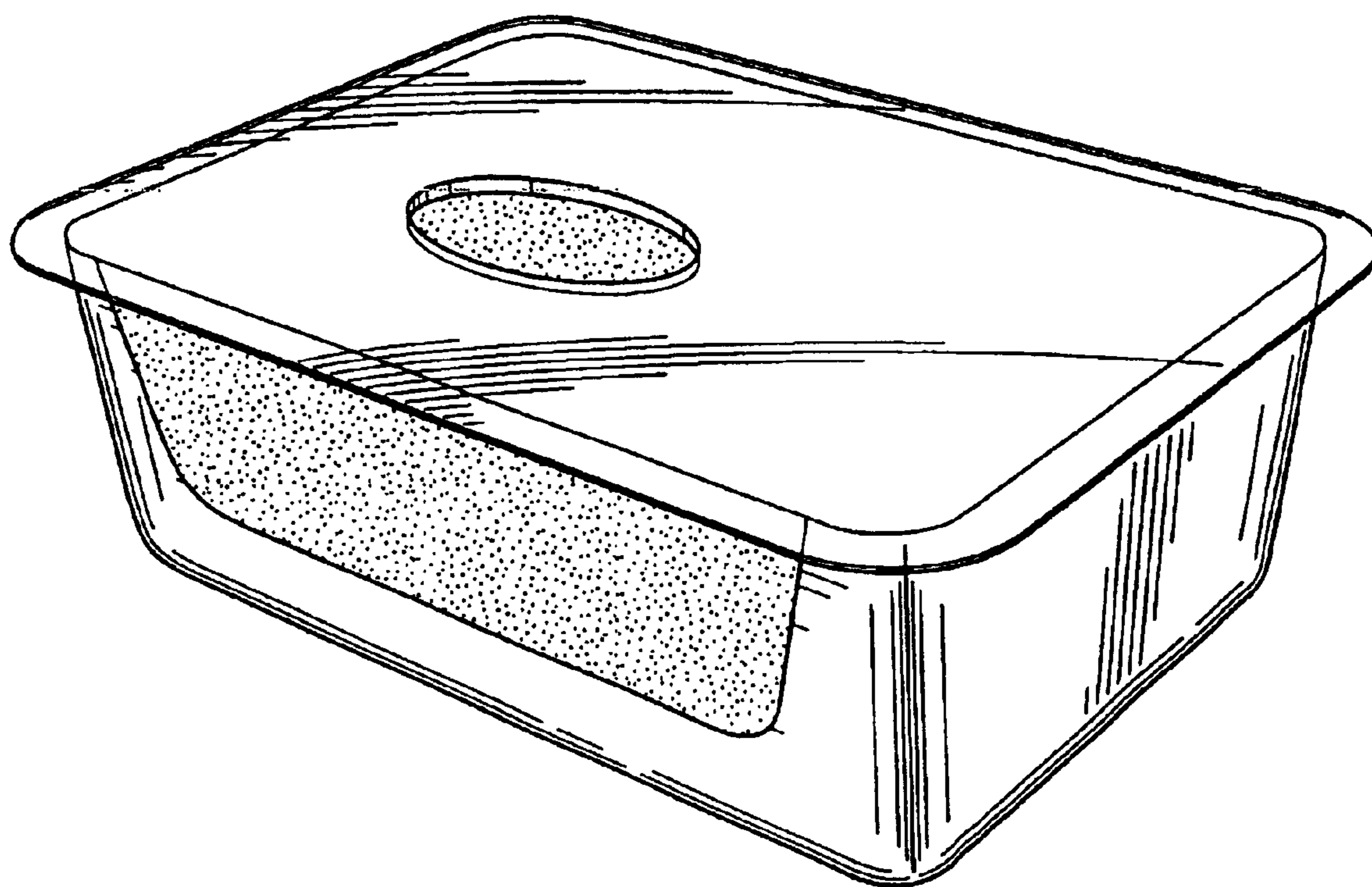


FIG. 1

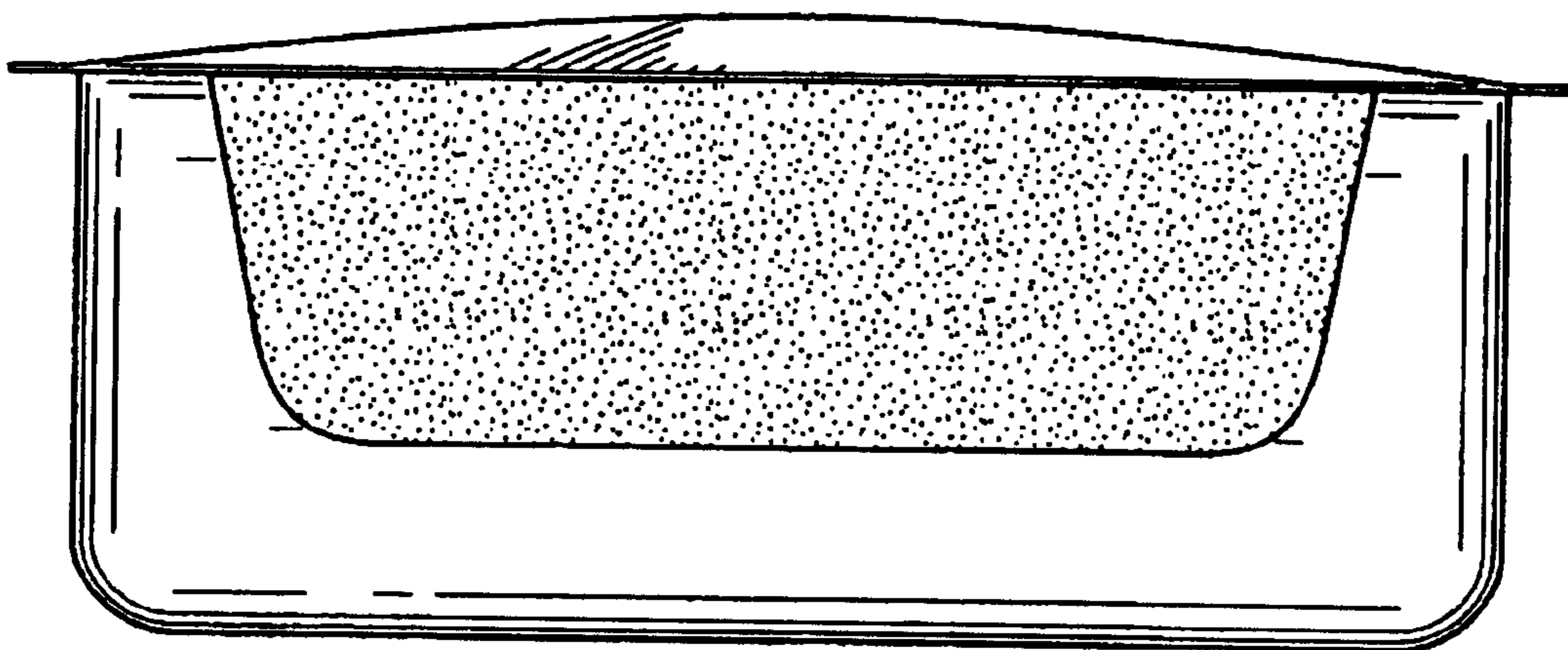


FIG. 2

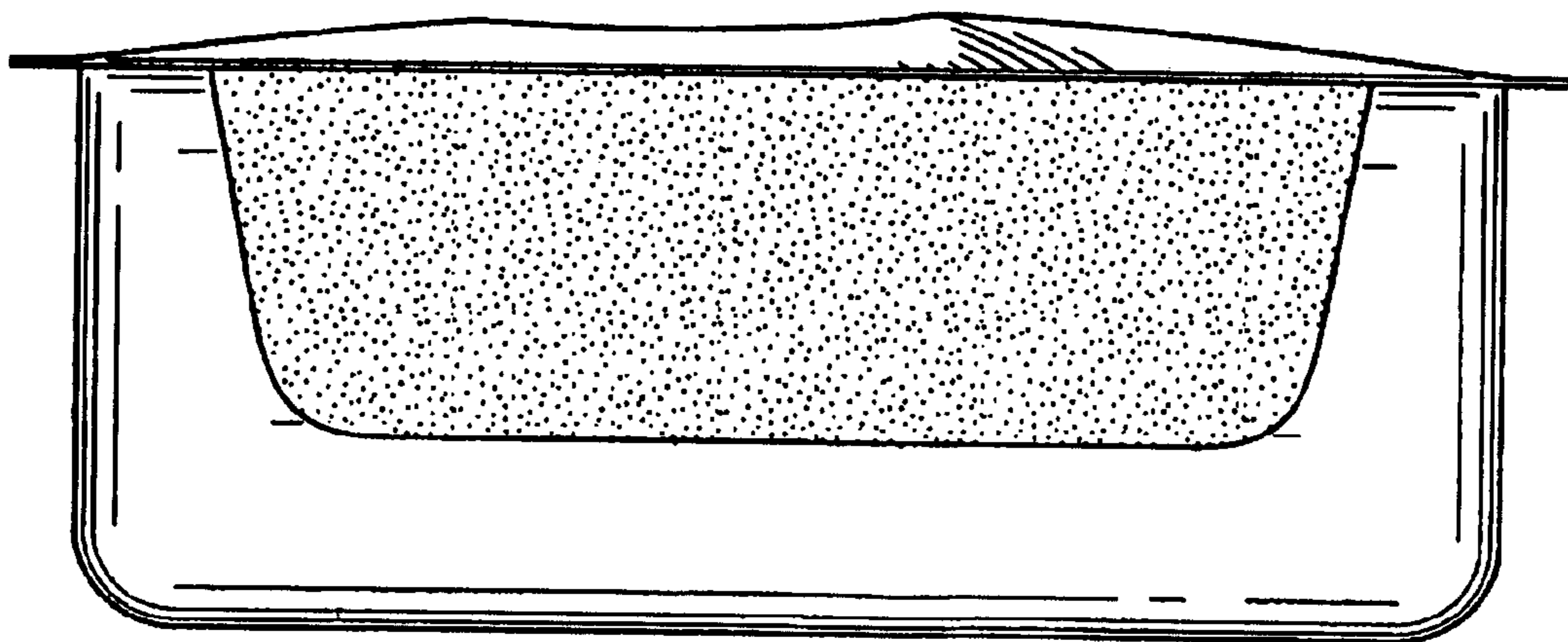


FIG. 3

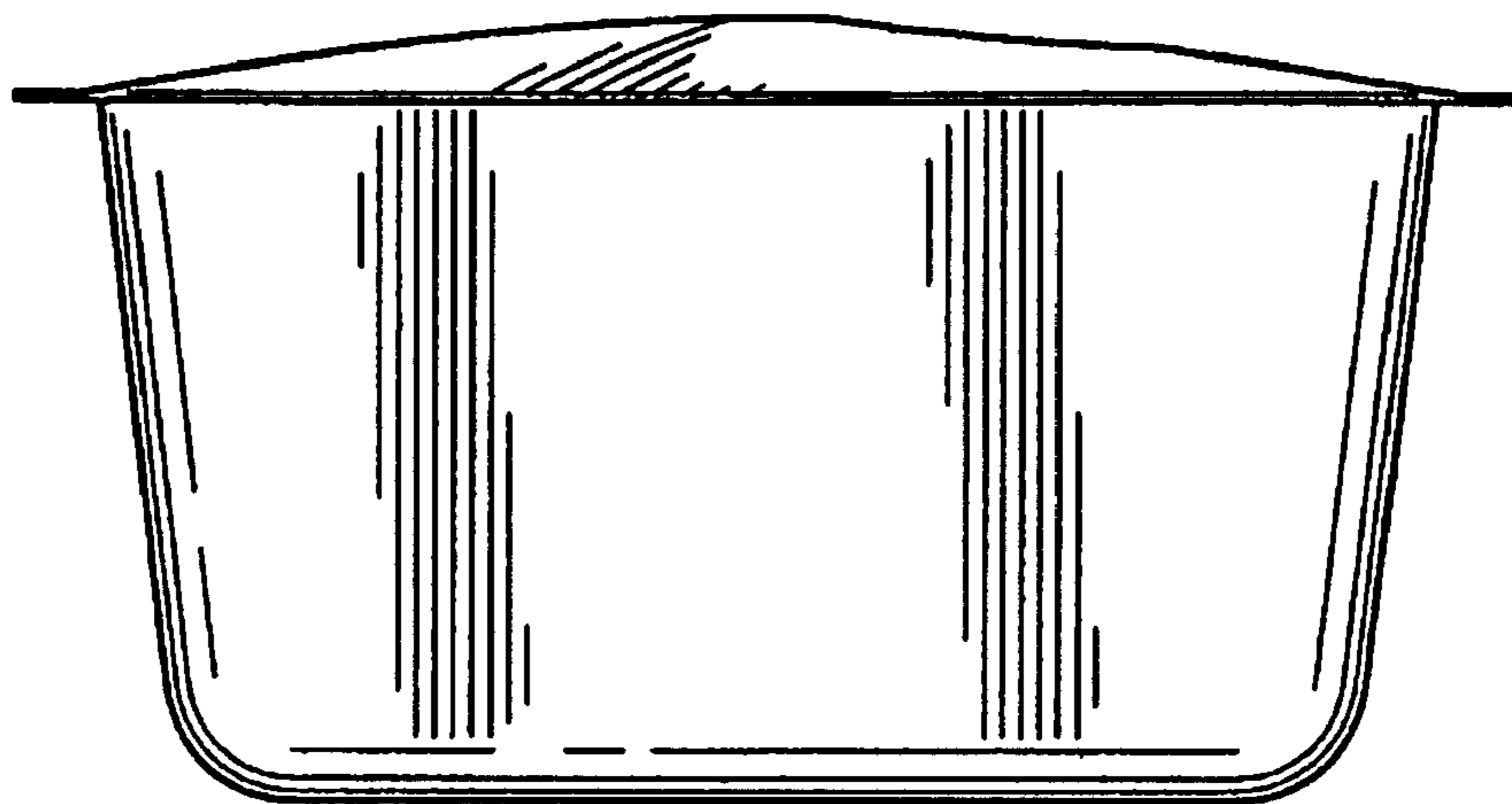


FIG. 4

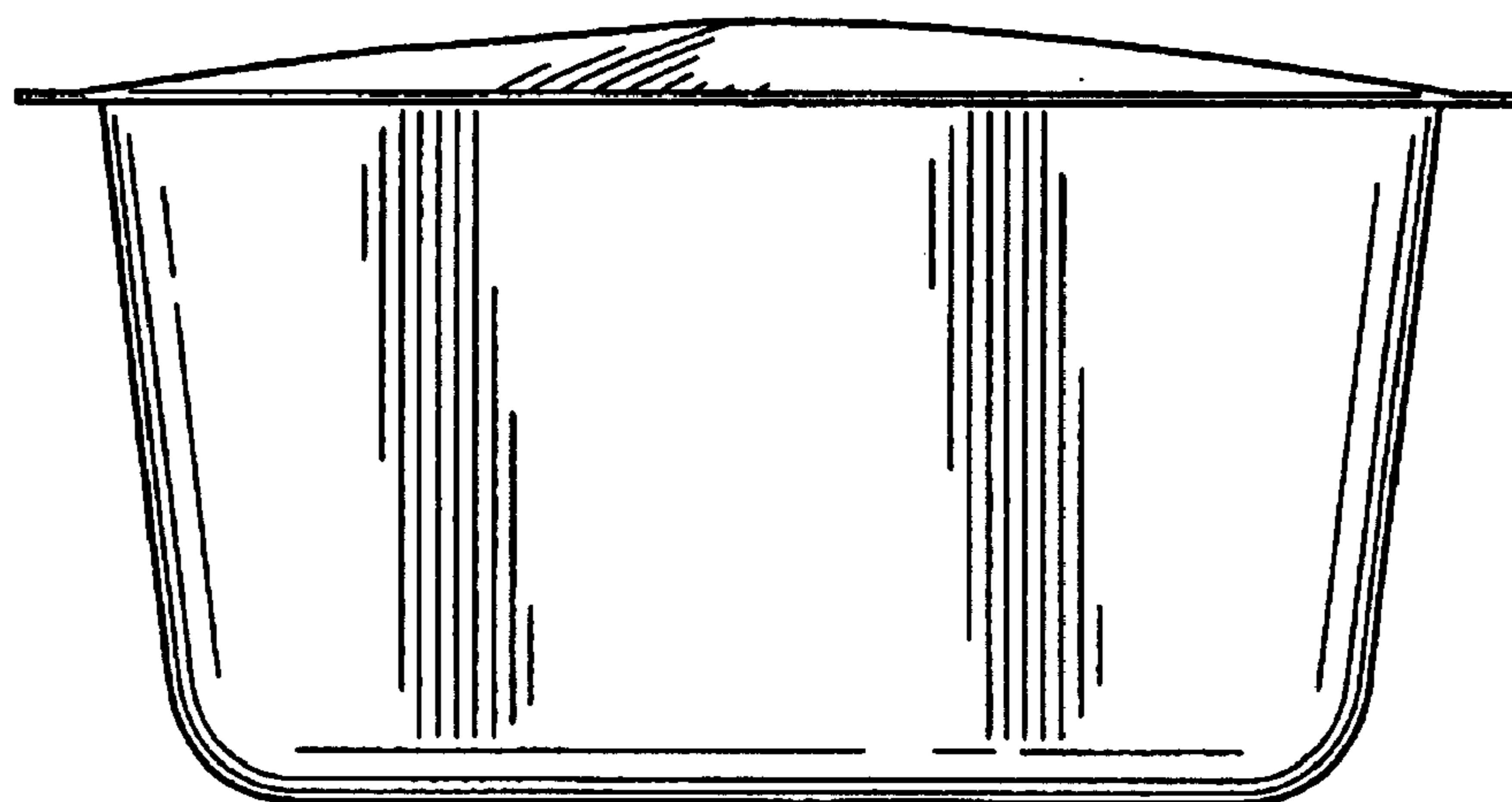


FIG. 5

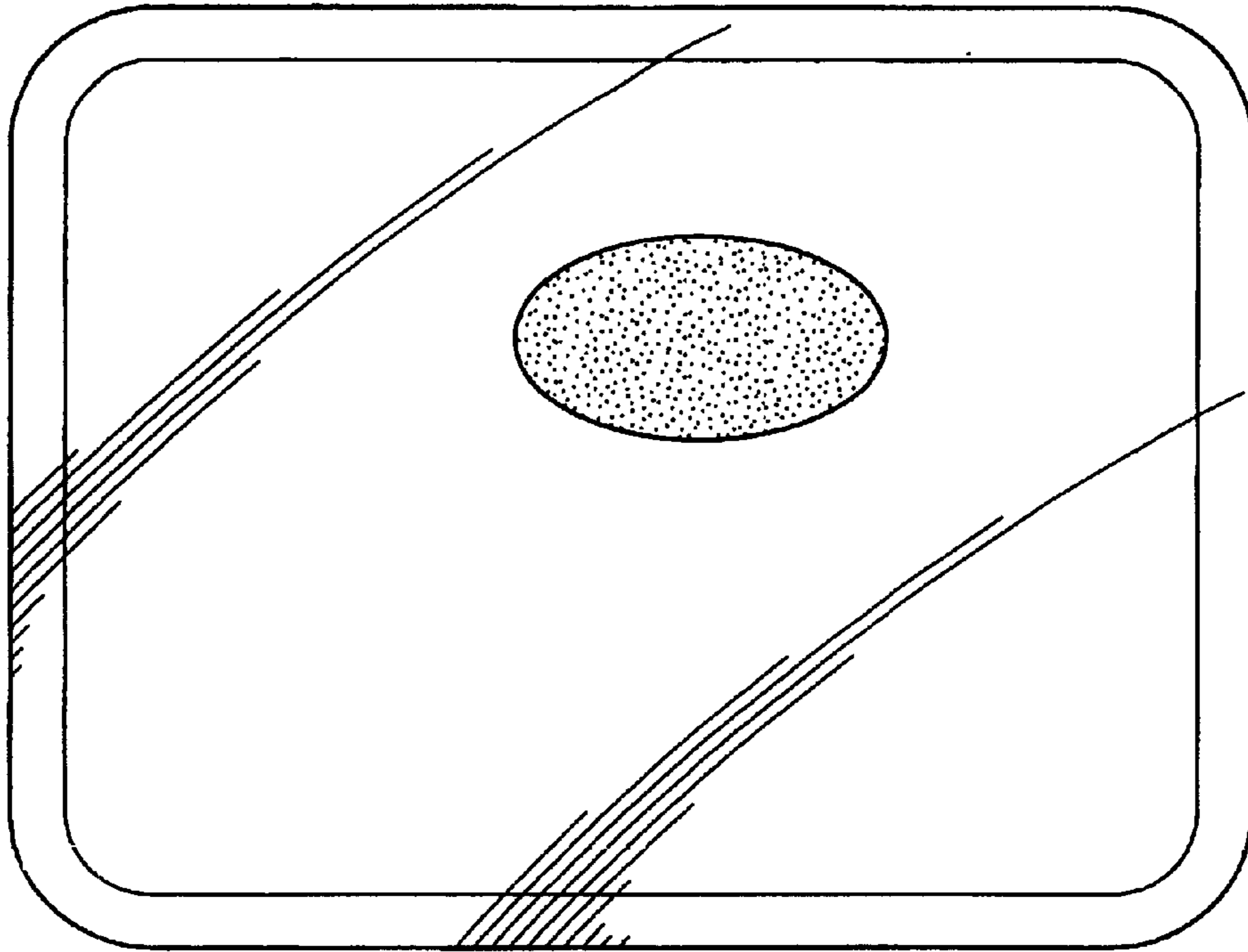


FIG. 6

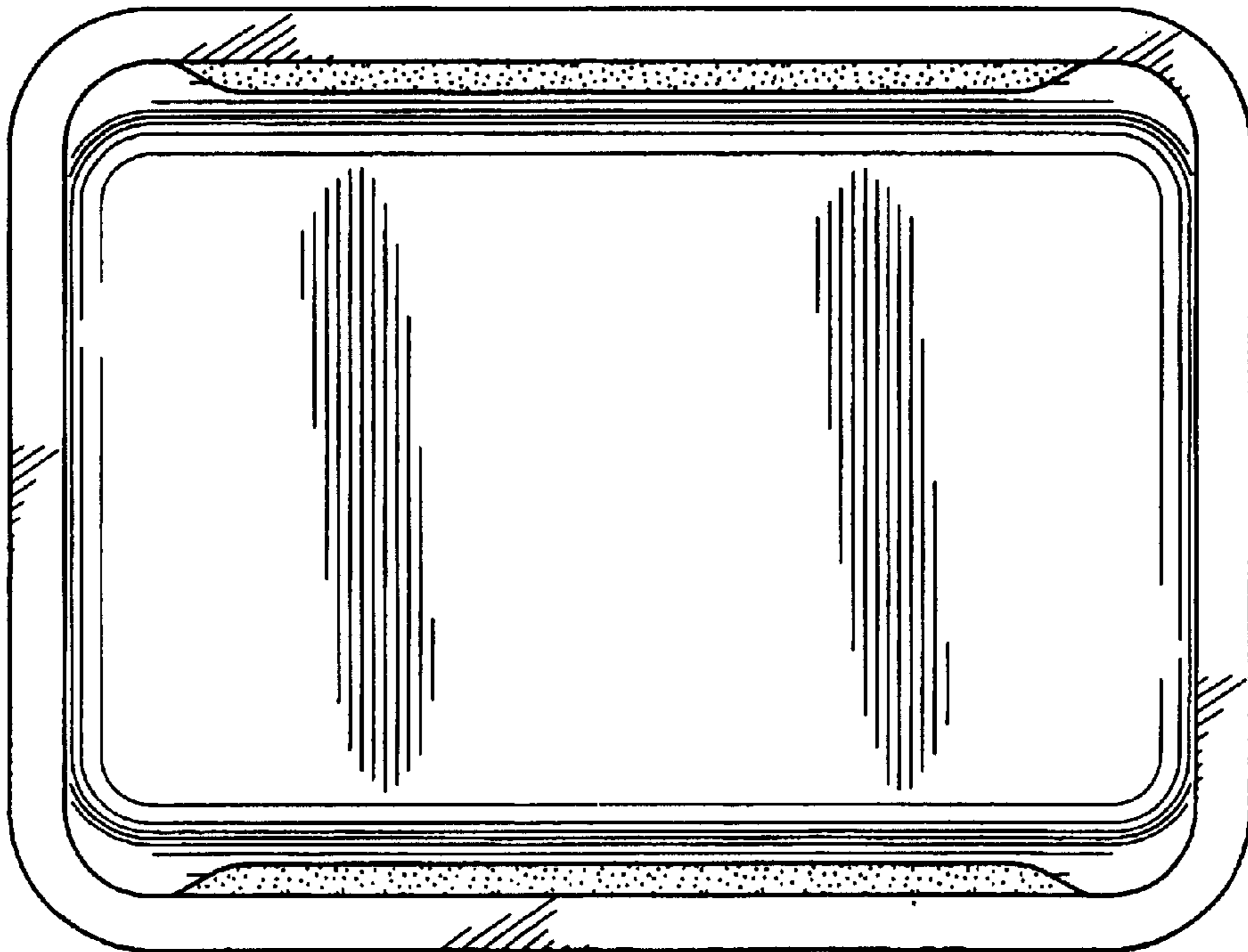


FIG. 7