



US00D536128S

(12) **United States Design Patent**  
**Porter**

(10) **Patent No.:** **US D536,128 S**

(45) **Date of Patent:** **\*\* Jan. 30, 2007**

(54) **HUMIDOR**

(76) Inventor: **Mark A. Porter**, 7233 Westwind St.,  
Weeki Wachee, FL (US) 34607

(\*\*) Term: **14 Years**

(21) Appl. No.: **29/204,395**

(22) Filed: **Apr. 28, 2004**

(51) **LOC (8) Cl.** ..... **27-06**

(52) **U.S. Cl.** ..... **D27/188; D27/192**

(58) **Field of Classification Search** ..... D27/186-192;  
131/31.1, 329; 206/236-242, 213.1, 265,  
206/269, 496; D9/675

See application file for complete search history.

(56) **References Cited**

**U.S. PATENT DOCUMENTS**

D369,023 S *	4/1996	Cheng	.....	D9/675
D389,601 S *	1/1998	Bartolotta	.....	D27/188
D389,952 S *	1/1998	Bartolotta	.....	D27/188
D408,211 S *	4/1999	Cordell	.....	D9/675
D410,566 S *	6/1999	Bartolotta	.....	D27/188
6,112,889 A *	9/2000	Wicker	.....	206/213.1
D436,527 S *	1/2001	Bergersen	.....	D9/675
D454,923 S *	3/2002	Katz	.....	D9/675
D503,996 S *	4/2005	Mabbutt	.....	D27/192

2004/0178088 A1 \* 9/2004 Zonker et al. .... 206/242

\* cited by examiner

*Primary Examiner*—Jennifer Rivard

(74) *Attorney, Agent, or Firm*—Holland & Knight LLP

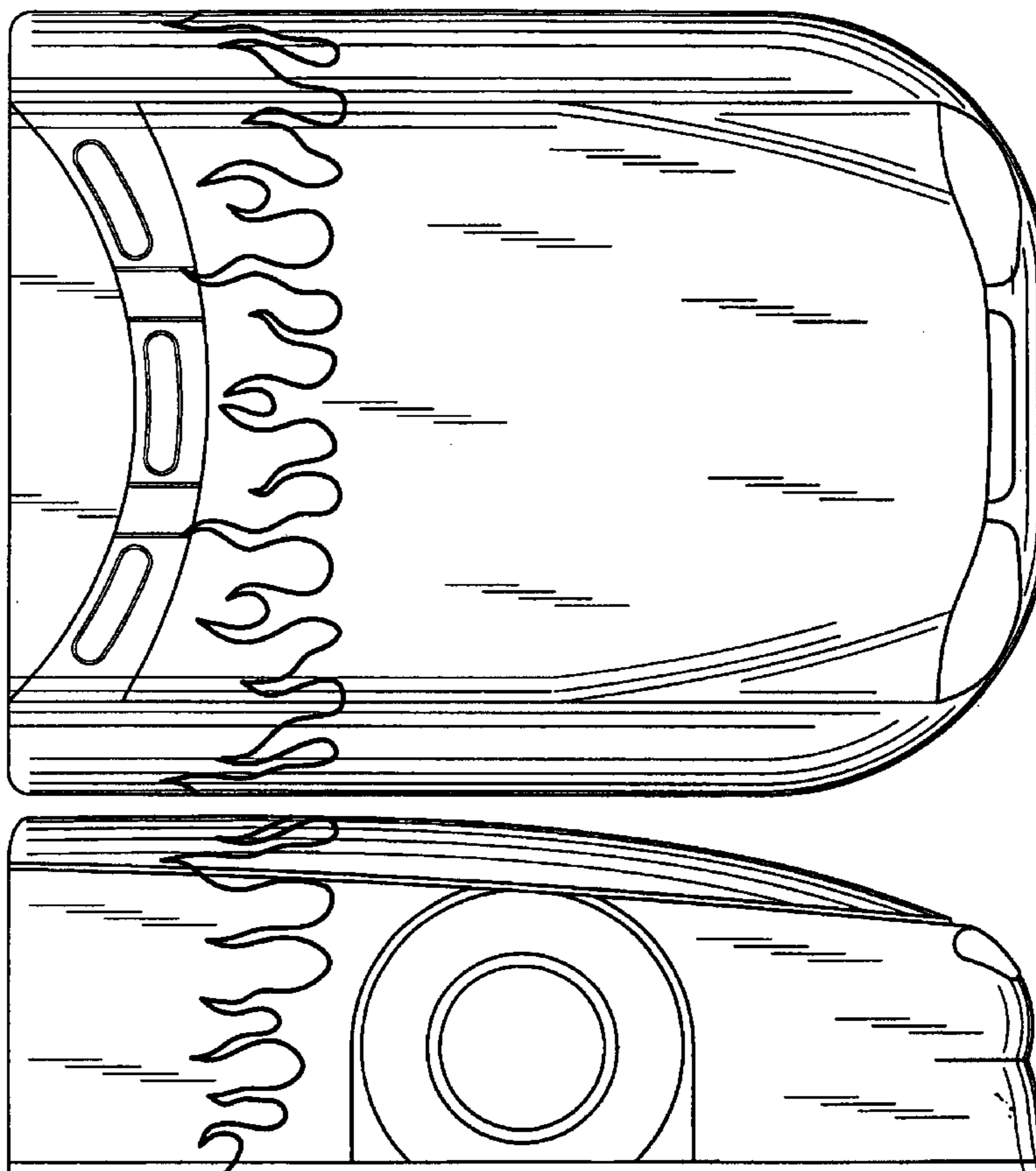
(57) **CLAIM**

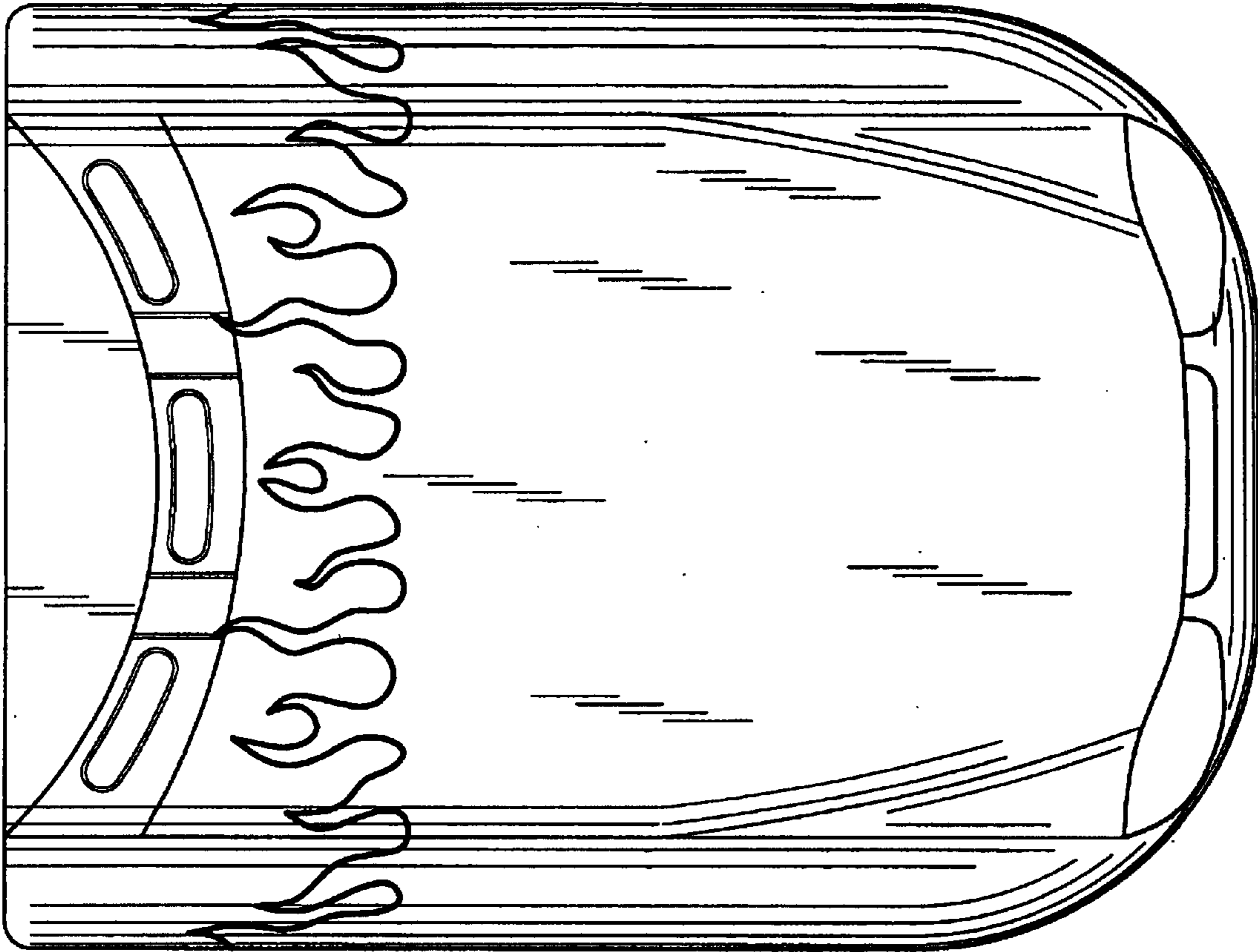
I claim the ornamental design for a humidor, as shown and described.

**DESCRIPTION**

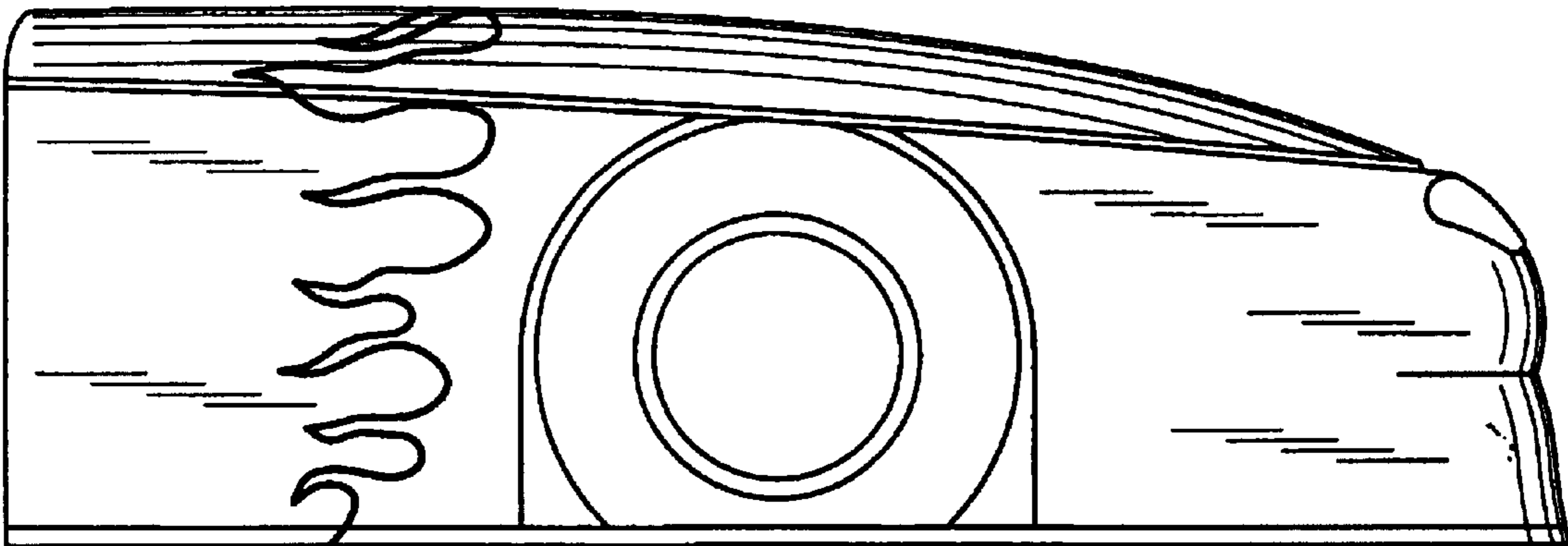
FIG. 1 is a top plan view of the first embodiment of my humidor in the form of an automobile;  
 FIG. 2 is a left elevational view thereof, the right elevational view being a mirror image thereof;  
 FIG. 3 is a front elevational view thereof;  
 FIG. 4 is a rear elevational view thereof;  
 FIG. 5 is a bottom plan view thereof;  
 FIG. 6 is a top plan view of the second embodiment of my humidor in the form of an automobile;  
 FIG. 7 is a left elevational view thereof, the right elevational view being a mirror image thereof;  
 FIG. 8 is a front elevational view thereof;  
 FIG. 9 is a rear elevational view thereof; and,  
 FIG. 10 is a bottom plan view thereof.

**1 Claim, 6 Drawing Sheets**

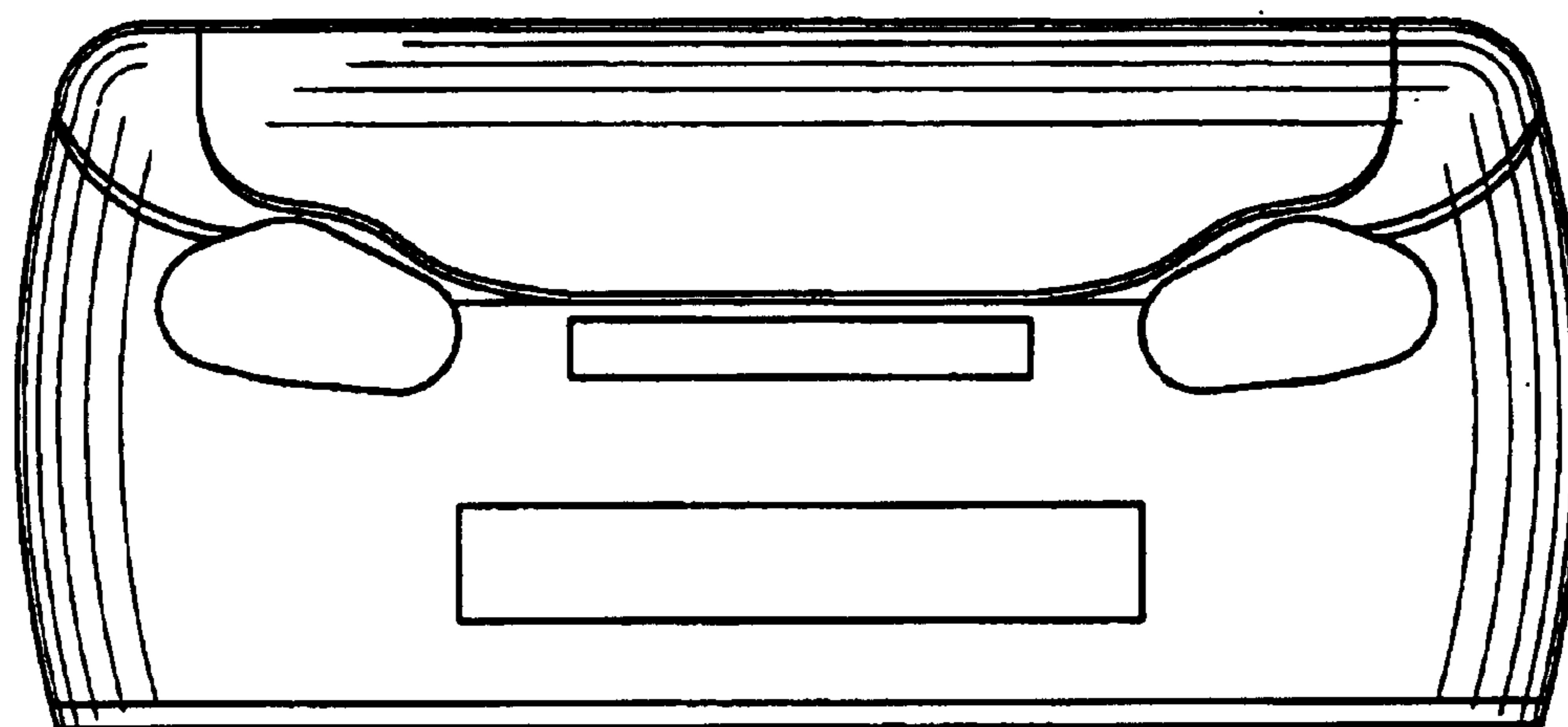




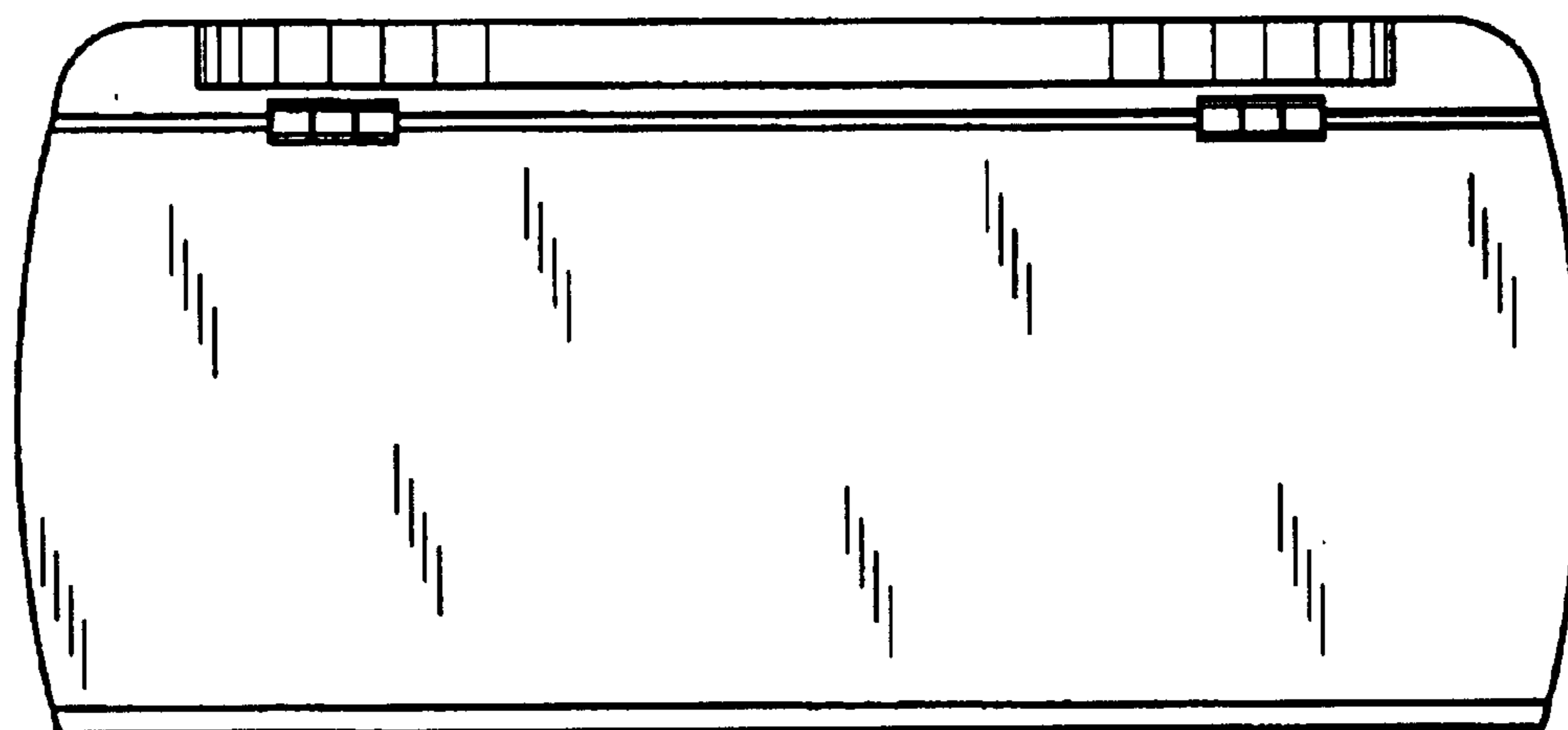
*FIG. 1*



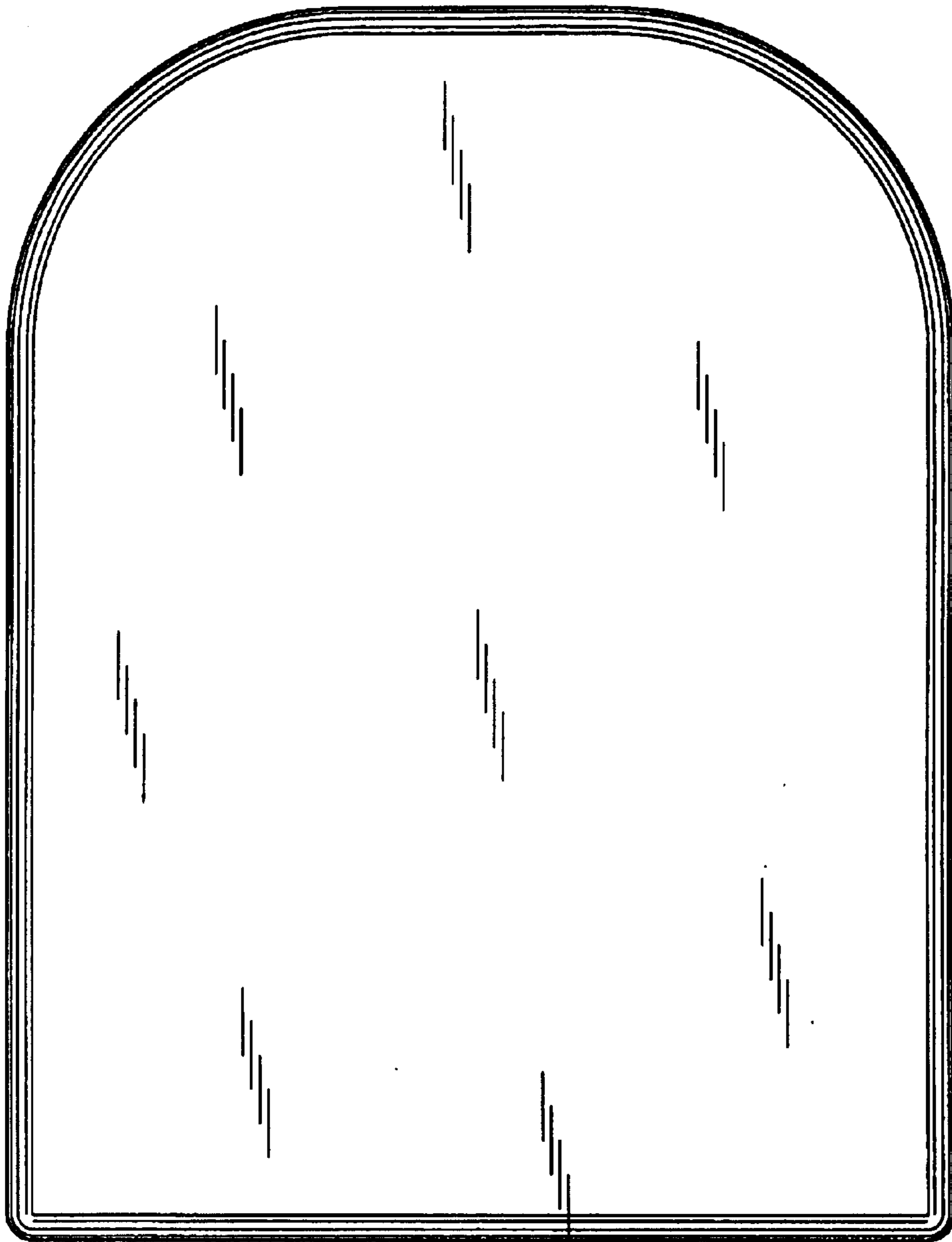
*FIG. 2*



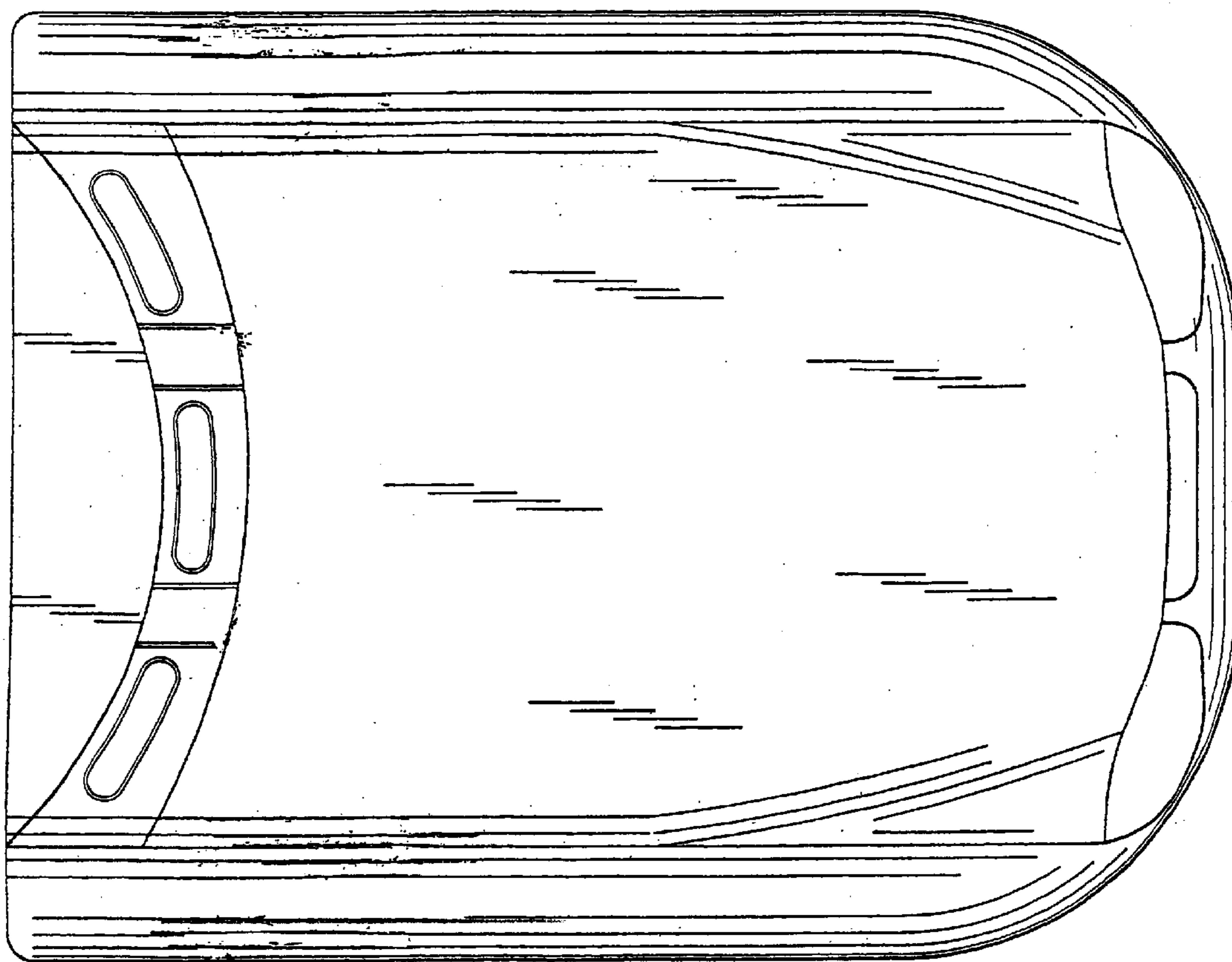
*FIG. 3*



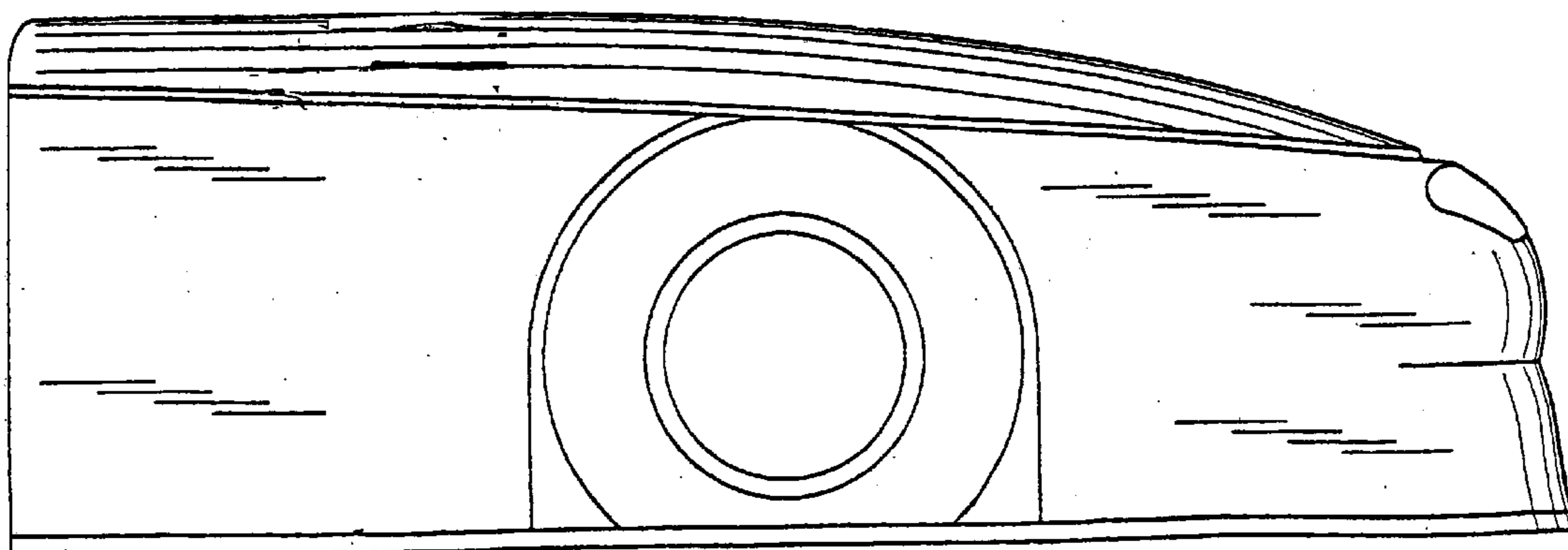
*FIG. 4*



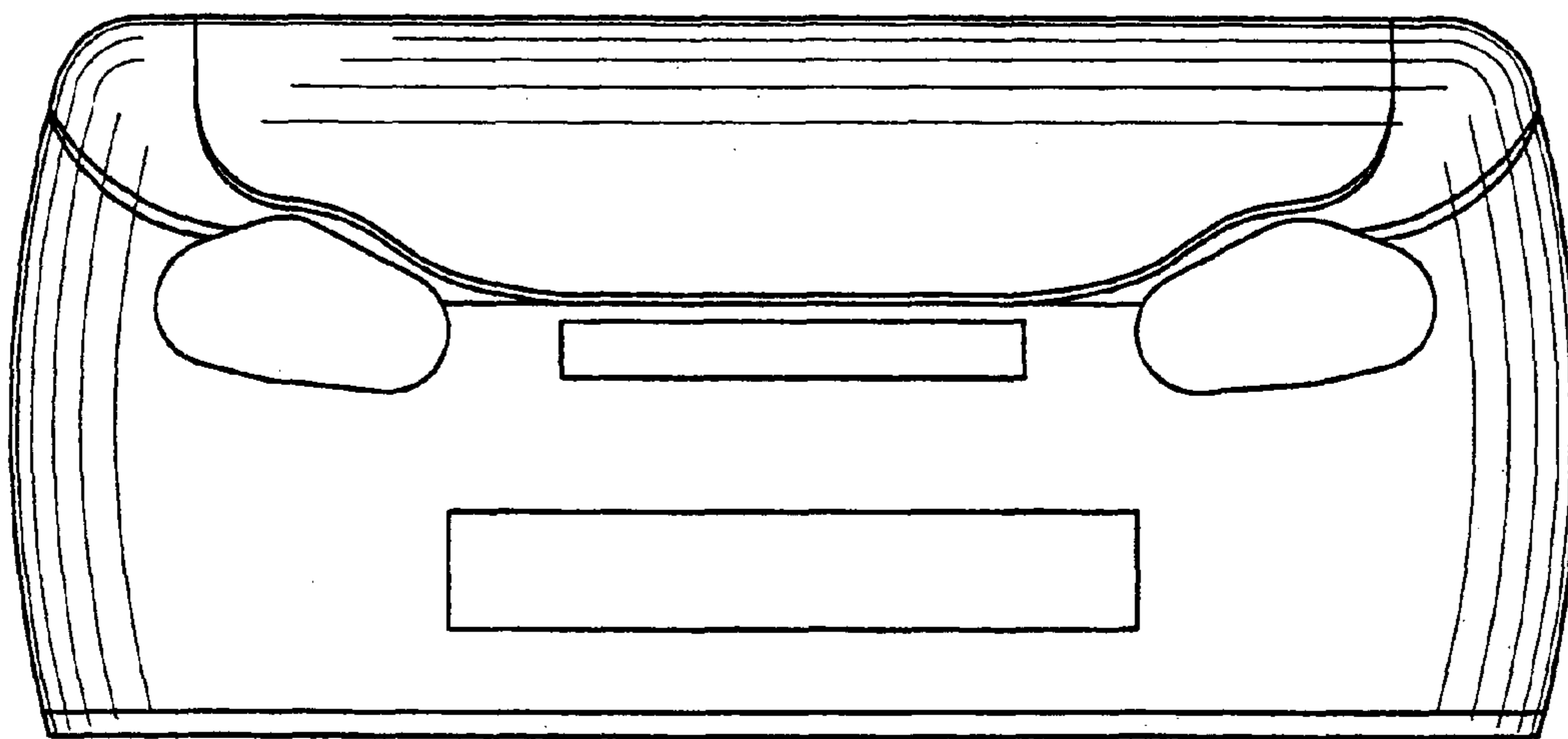
*FIG. 5*



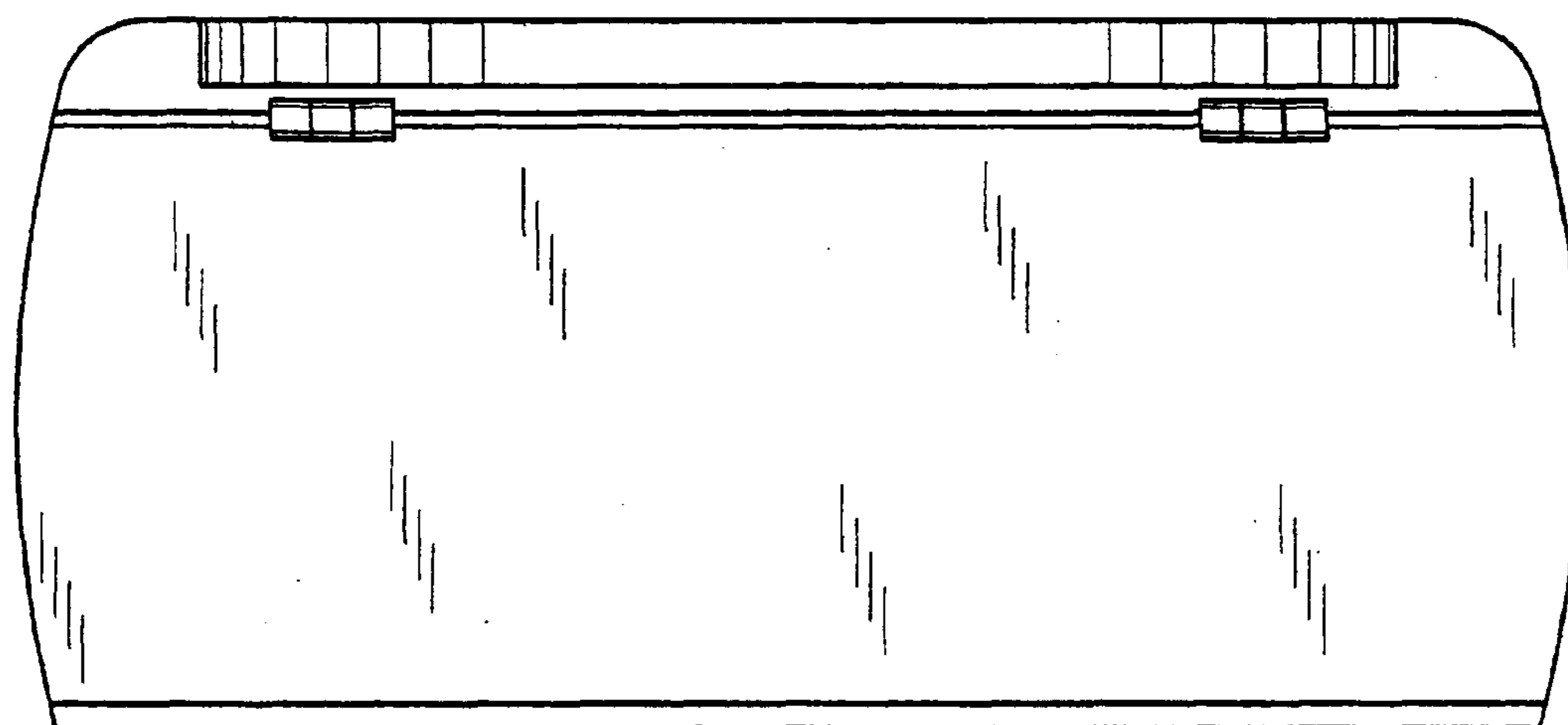
*FIG. 6*



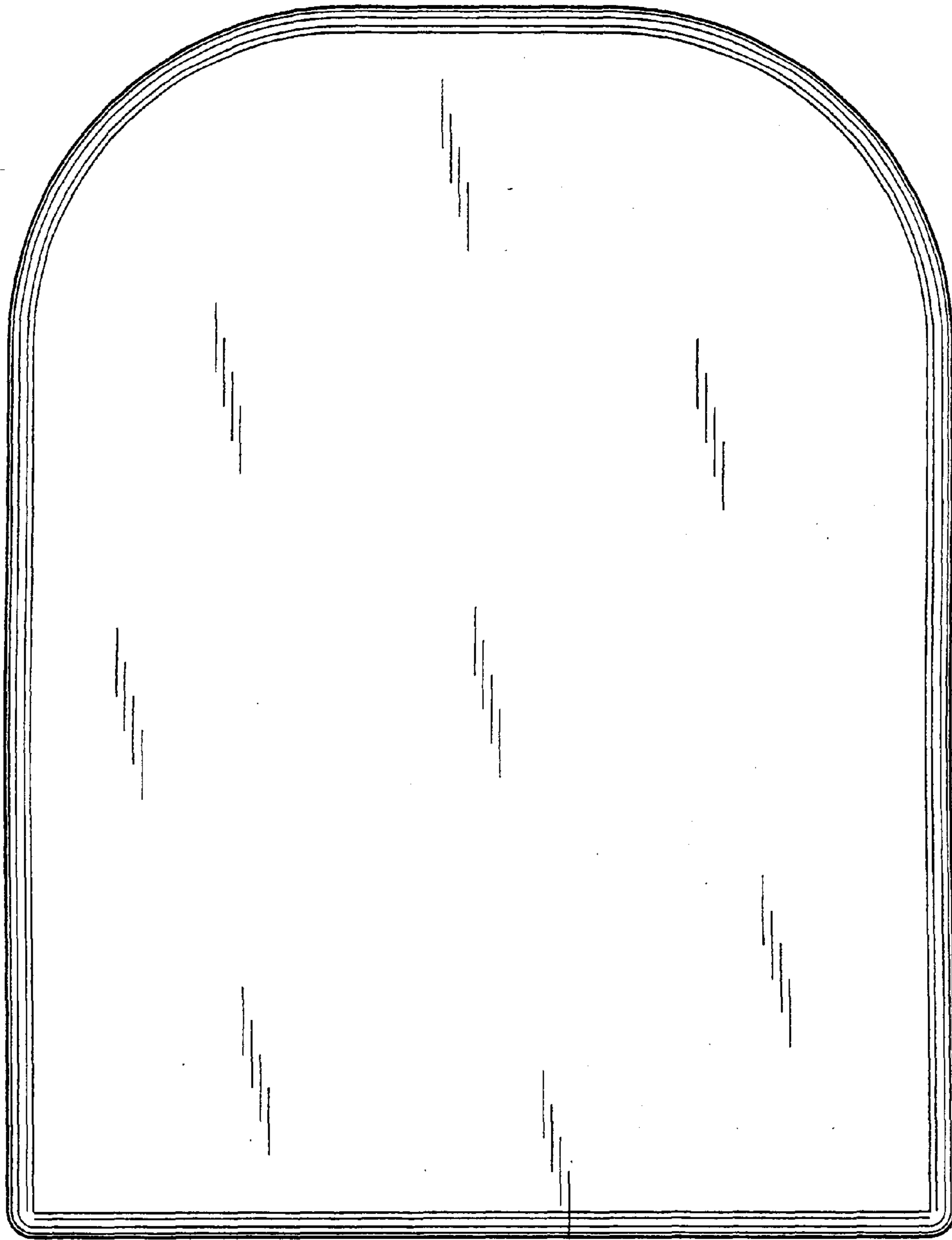
*FIG. 7*



*FIG. 8*



*FIG. 9*



*FIG. 10*