



US00D536123S

(12) **United States Design Patent**
Miranda

(10) **Patent No.:** **US D536,123 S**

(45) **Date of Patent:** **** Jan. 30, 2007**

(54) **WALL MOUNT LIGHTING FIXTURE**

(76) **Inventor:** **Pasquale Miranda**, 63-2nd St., Garden City, NY (US) 11530

(**) **Term:** **14 Years**

(21) **Appl. No.:** **29/240,714**

(22) **Filed:** **Oct. 19, 2005**

(51) **LOC (8) Cl.** **26-03**

(52) **U.S. Cl.** **D26/87; D26/92**

(58) **Field of Classification Search** D26/142,
D26/72, 80-92; 362/432, 340, 347, 348,
362/350, 351, 355, 363, 404-408
See application file for complete search history.

(56) **References Cited**

U.S. PATENT DOCUMENTS

- D448,511 S * 9/2001 Niermann D26/81
- D459,015 S * 6/2002 Dolan D26/86
- D488,578 S * 4/2004 O'Tierney D26/81

- D492,442 S * 6/2004 Hoernig D26/92
- D501,270 S * 1/2005 Lee D26/86
- 6,929,380 B2 * 8/2005 Logan et al. 362/161
- D511,019 S * 10/2005 Nicholas D26/81

* cited by examiner

Primary Examiner—Clare E Heflin

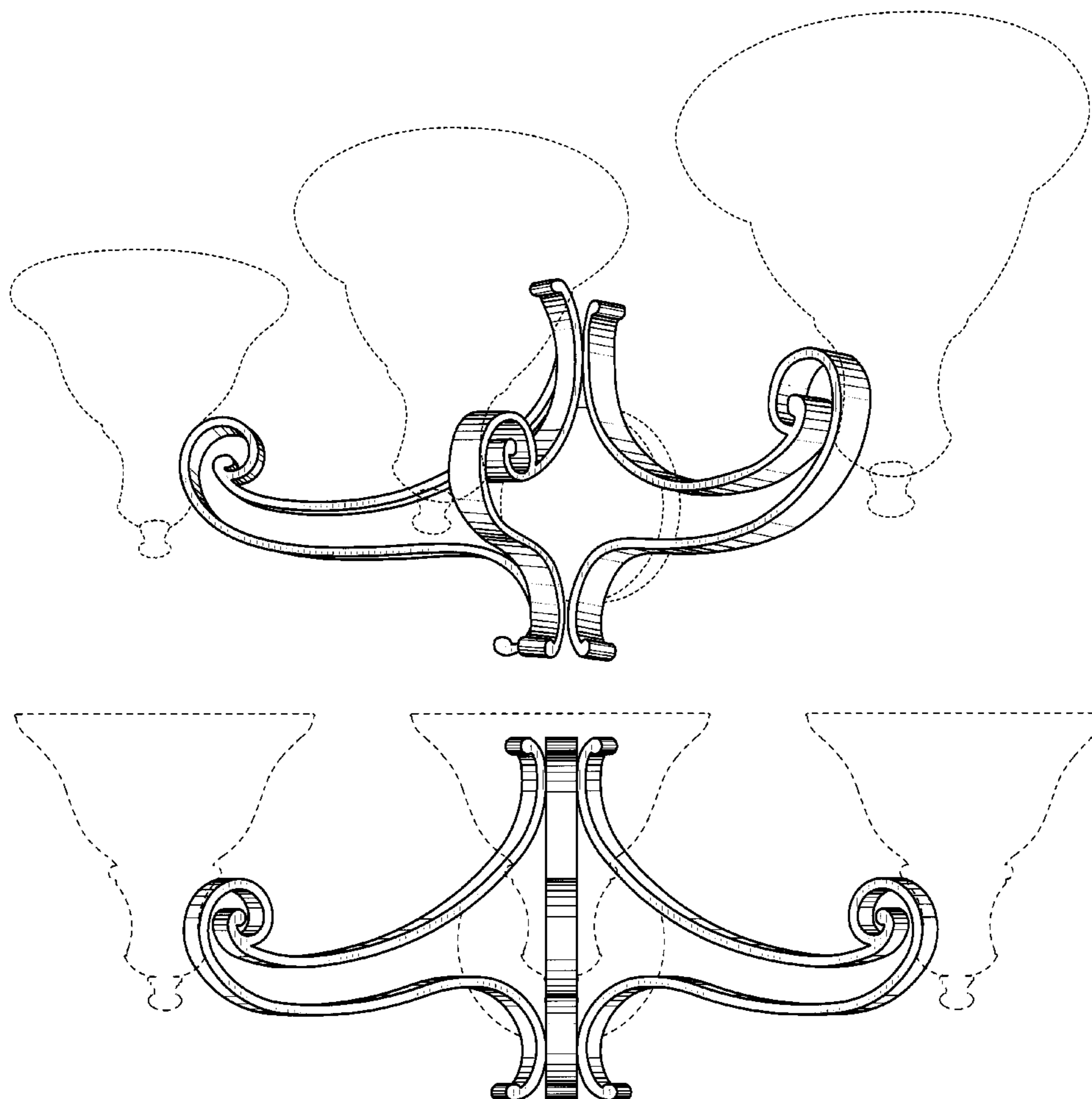
(57) **CLAIM**

The ornamental design of a wall mount lighting fixture, as shown and described.

DESCRIPTION

FIG. 1 is a perspective view of wall mount lighting fixture showing my new design;
FIG. 2 is a front elevational view thereof; and,
FIG. 3 is a top plan view thereof.
The broken-line showing of environmental structures in FIG. 1-3 is for illustrative purposes only and forms no part of the claimed design.

1 Claim, 3 Drawing Sheets



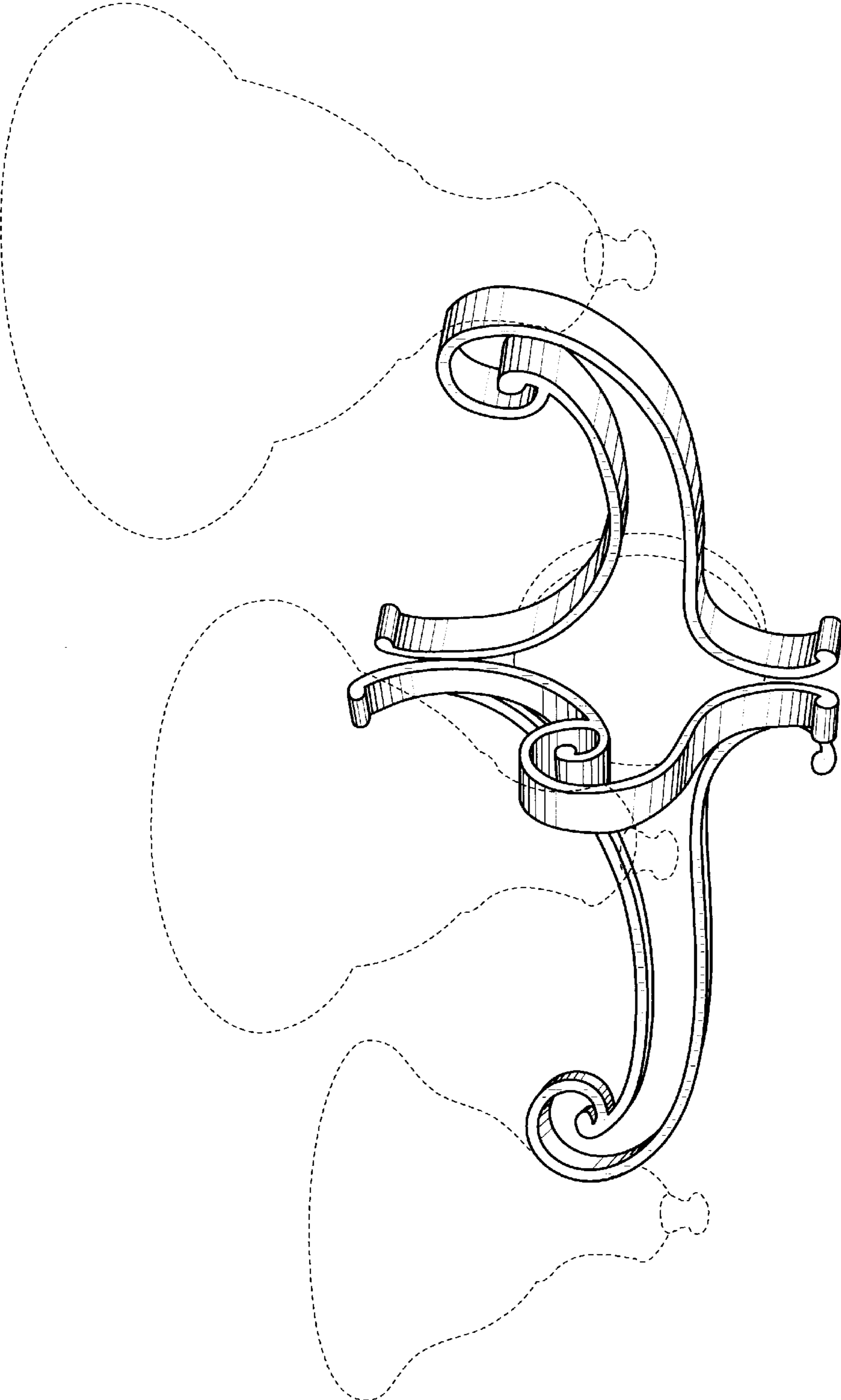


FIG. 1

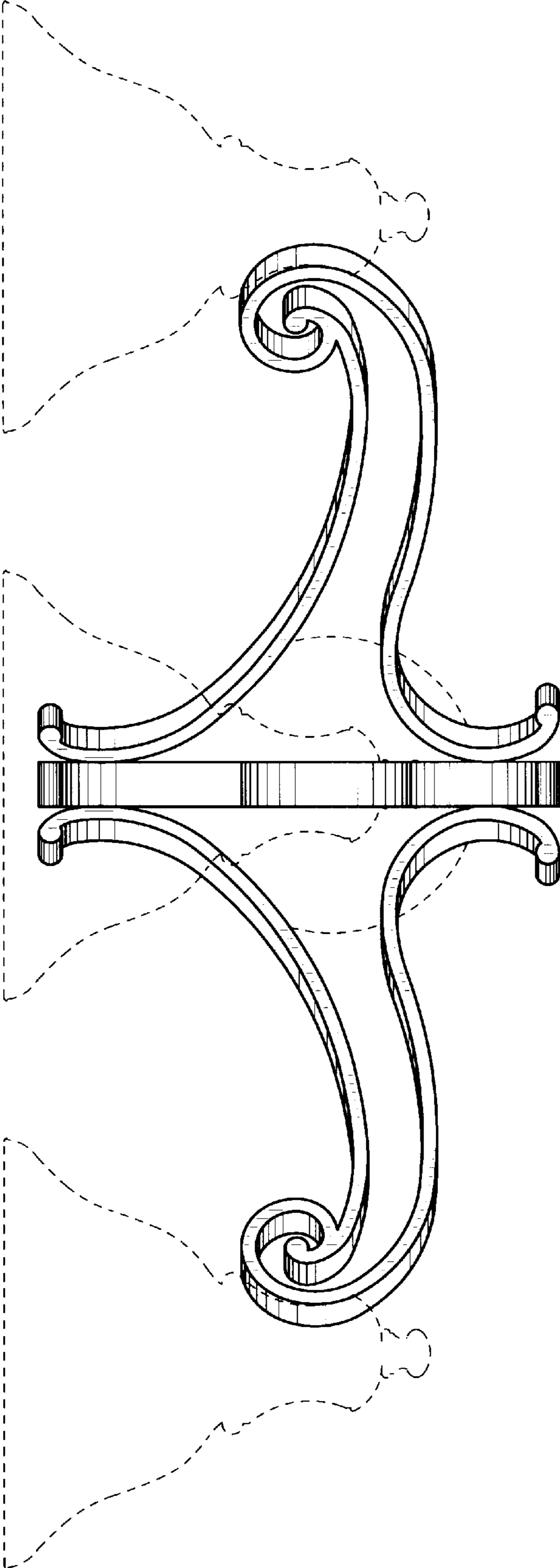


FIG. 2

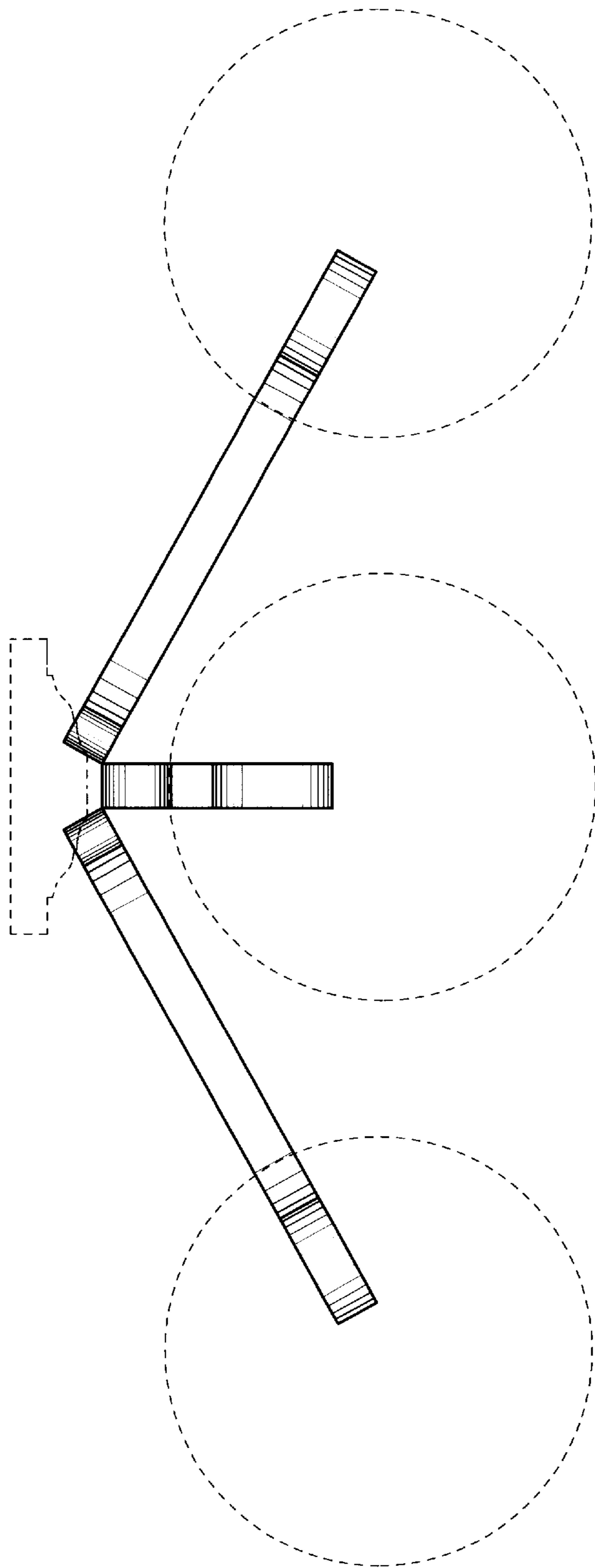


FIG. 3