



US00D536121S

(12) **United States Design Patent**
Mier-Langner et al.

(10) **Patent No.:** **US D536,121 S**

(45) **Date of Patent:** **** Jan. 30, 2007**

(54) **TRACK LIGHT FIXTURE**

(75) Inventors: **Alejandro Mier-Langner**, Providence, RI (US); **Julia Fishman**, Cranston, RI (US); **James E. Kuchar**, Fall River, MA (US)

(73) Assignee: **Genlyte Thomas Group LLC**, Louisville, KY (US)

(**) Term: **14 Years**

(21) Appl. No.: **29/235,762**

(22) Filed: **Aug. 5, 2005**

(51) **LOC (8) Cl.** **26-05**

(52) **U.S. Cl.** **D26/63; D26/61**

(58) **Field of Classification Search** D26/61,
D26/63-66, 72; 362/147, 265, 277, 278,
362/281, 282, 285, 287, 288, 306, 404, 427,
362/640, 647, 648, 652, 653, 655

See application file for complete search history.

(56) **References Cited**

U.S. PATENT DOCUMENTS

5,140,507	A *	8/1992	Harwood	362/271
D354,148	S *	1/1995	Roos	D26/63
5,548,500	A *	8/1996	MacKay	362/427
5,788,518	A *	8/1998	Wachter et al.	439/121
D437,651	S *	2/2001	Tang	D26/63
6,481,871	B1 *	11/2002	Jamison	362/287
D479,756	S *	9/2003	Agro et al.	D26/63
6,676,281	B1 *	1/2004	Bray et al.	362/391
6,869,209	B1 *	3/2005	Layne et al.	362/404

2002/0064049	A1 *	5/2002	Layne et al.	362/404
2006/0039168	A1 *	2/2006	Mier-Langner et al.	362/648

OTHER PUBLICATIONS

W.A.C. Aiming Track Head seen in Lamps Plus online catalog on Sep. 1, 2005 at www.lampsplus.com.*

* cited by examiner

Primary Examiner—Clare E Heflin

(74) *Attorney, Agent, or Firm*—John F. Salazar; Middleton Reutlinger

(57) **CLAIM**

The ornamental design for a track light fixture, as shown and described.

DESCRIPTION

FIG. 1 is a perspective view of the track light fixture of the present invention;

FIG. 2 is a right side view of the design of the present invention;

FIG. 3 is a rear view of the design of the present invention;

FIG. 4 is a front view of the design of the present invention;

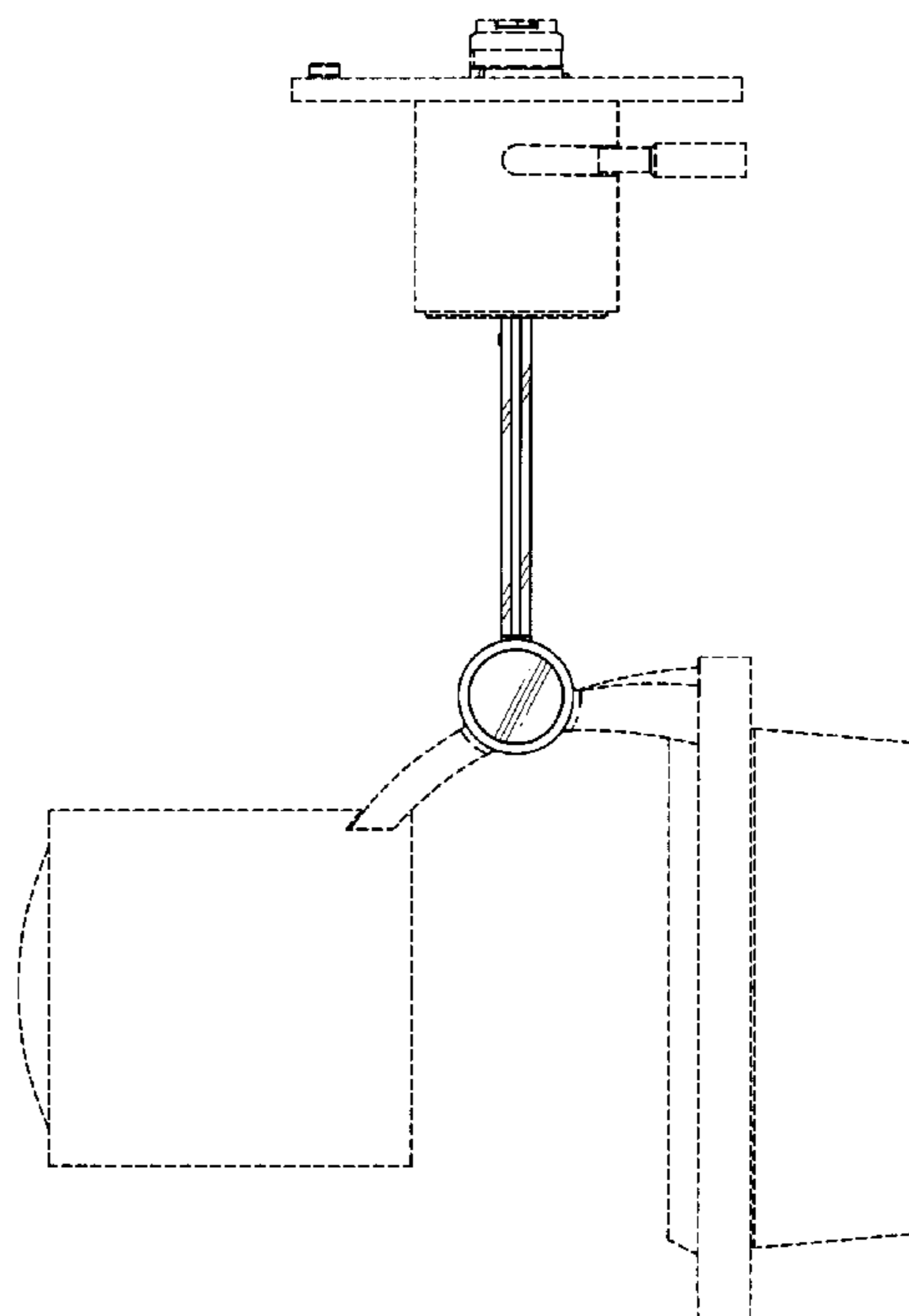
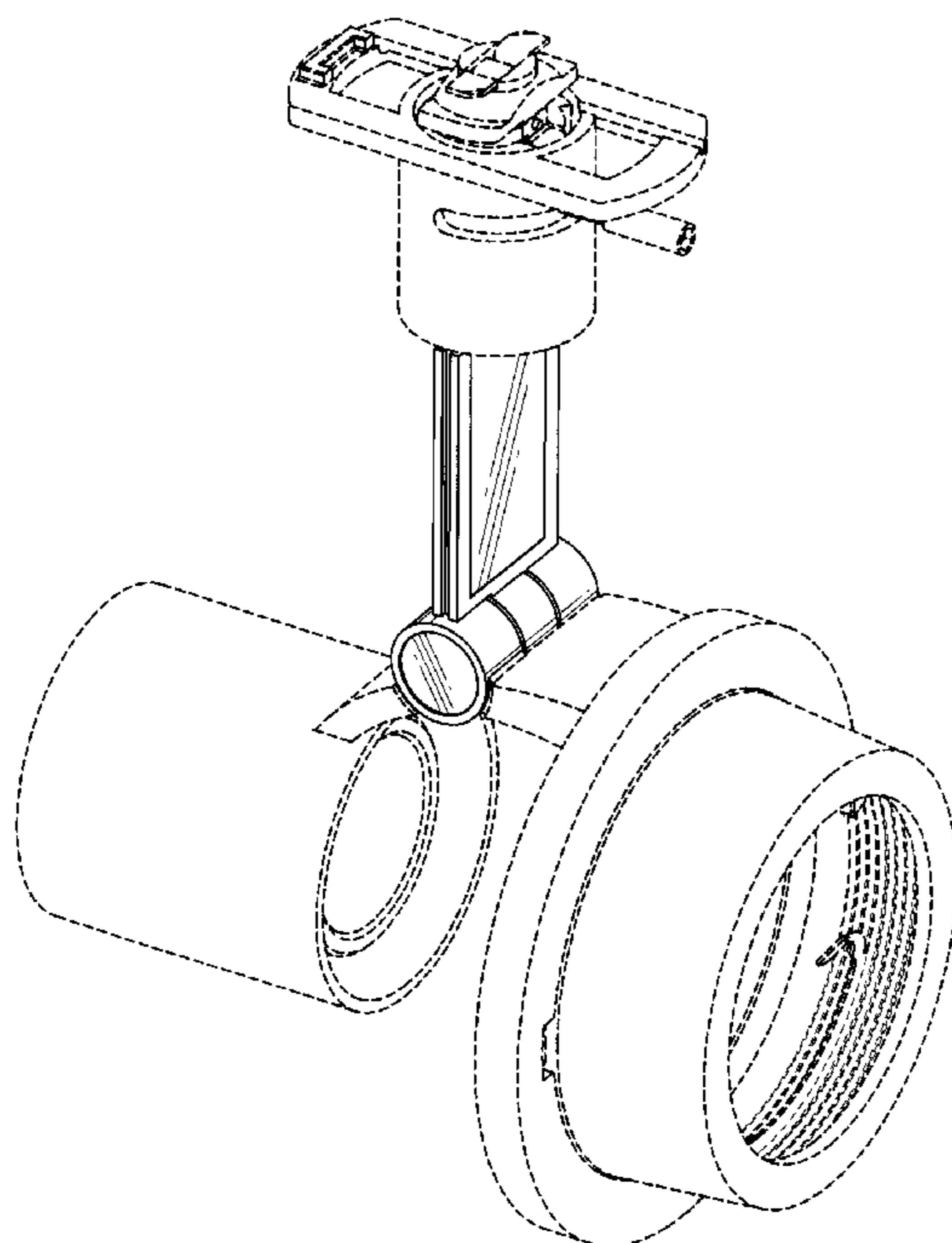
FIG. 5 is a top view of the design of the present invention;

FIG. 6 is a bottom view of the design of the present invention; and,

FIG. 7 is a left side view of the design of the present invention.

The broken lines showing environment structure are for illustrative purposes only and form no part of the claimed design.

1 Claim, 7 Drawing Sheets



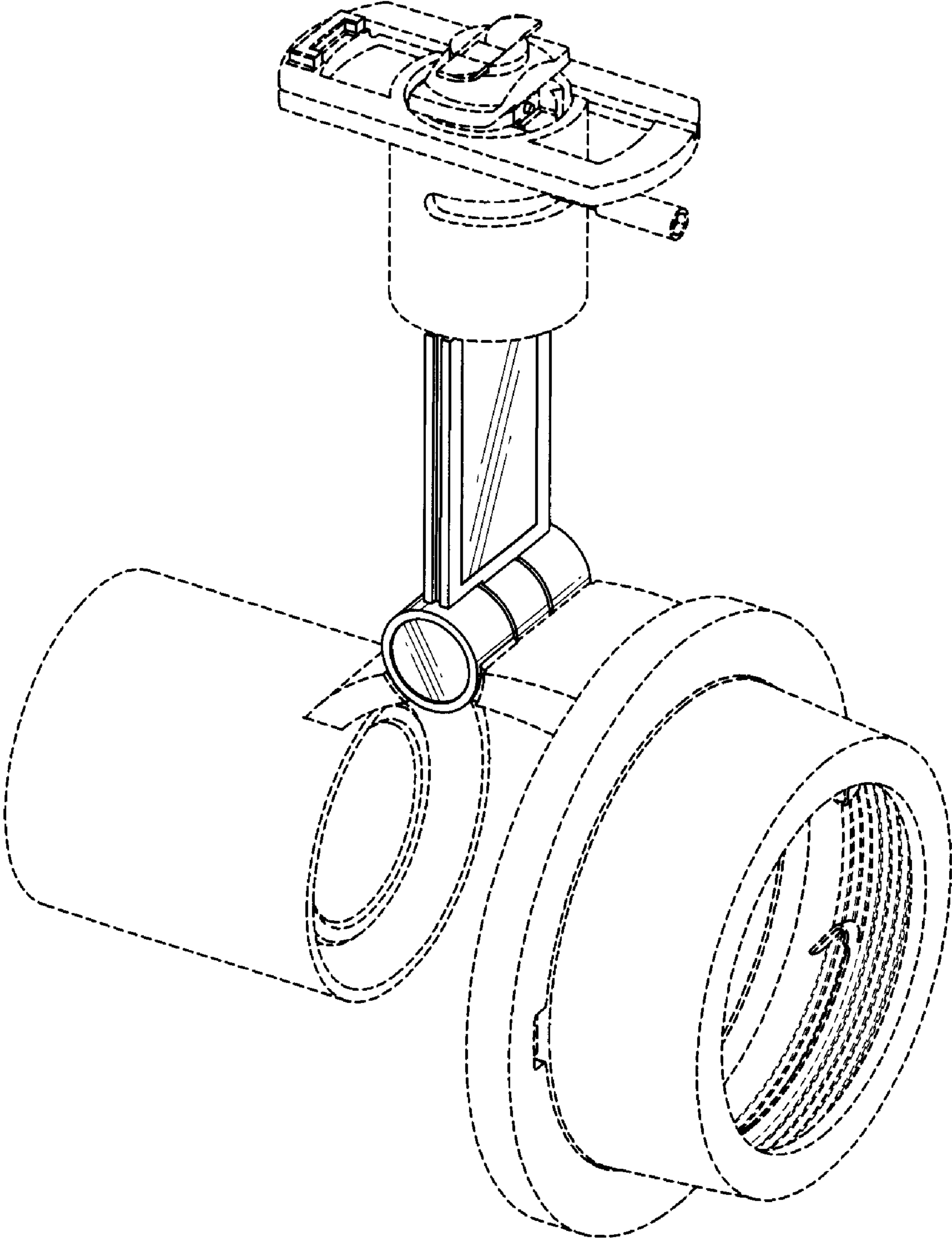


FIG. 1

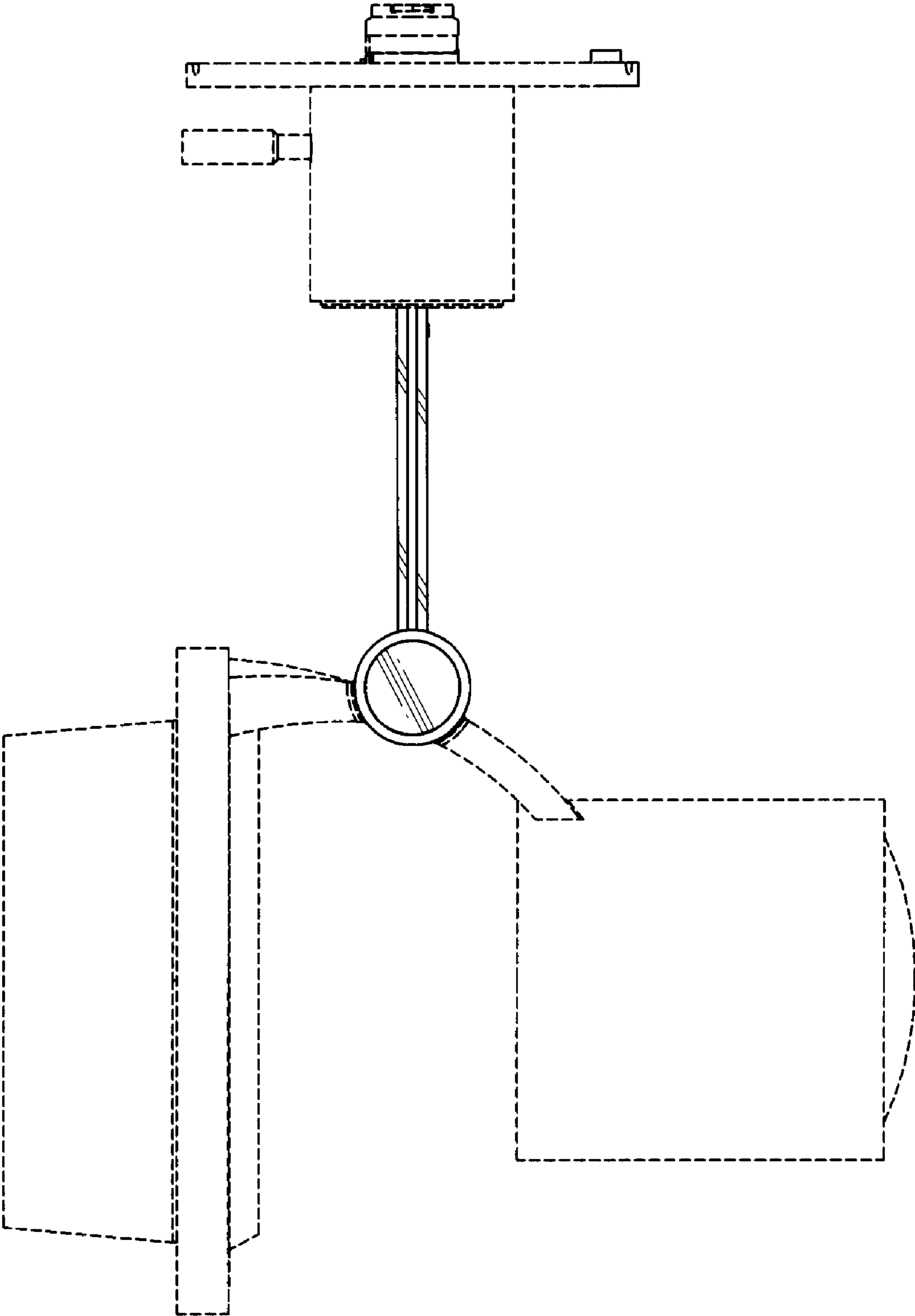


FIG. 2

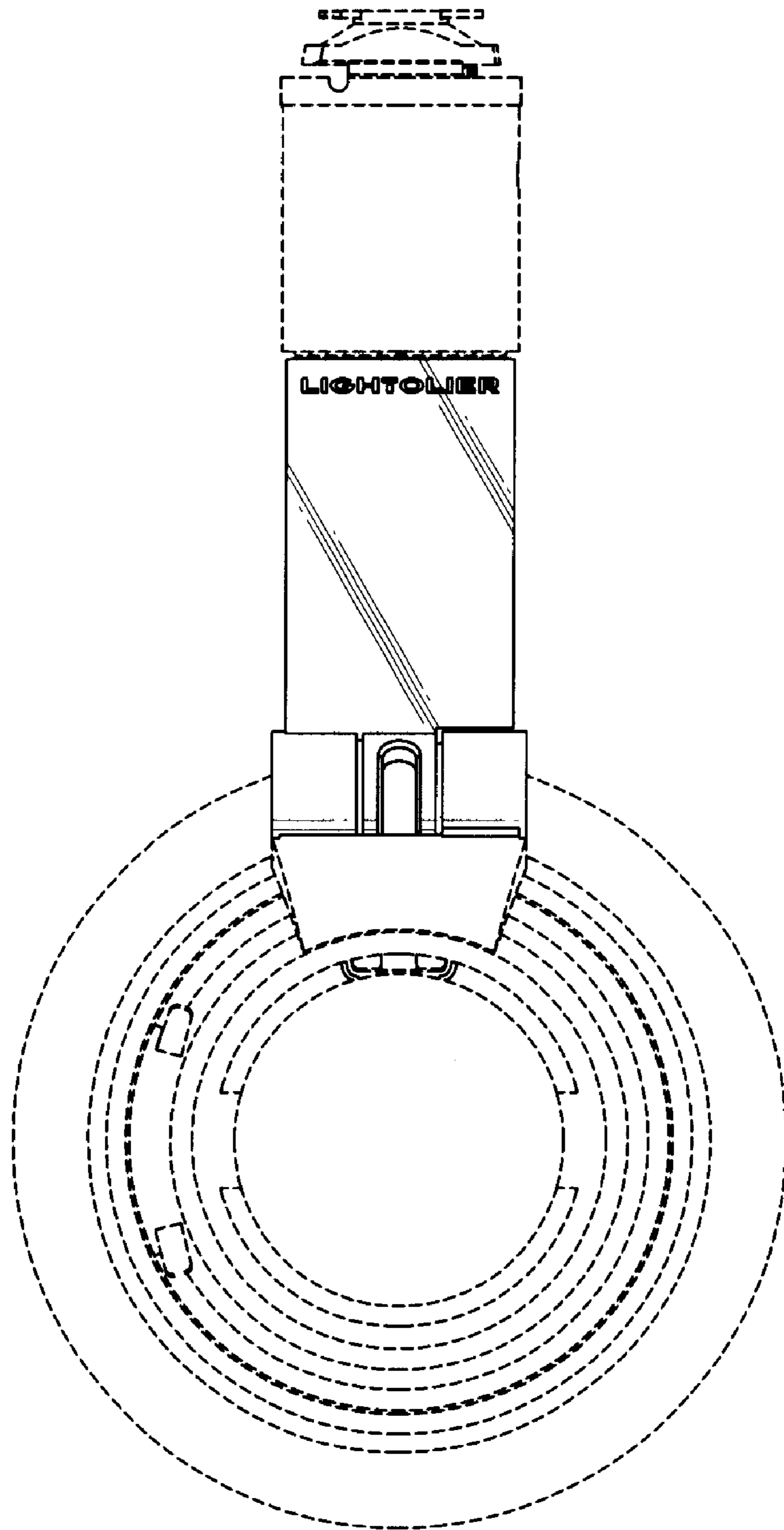


FIG. 3

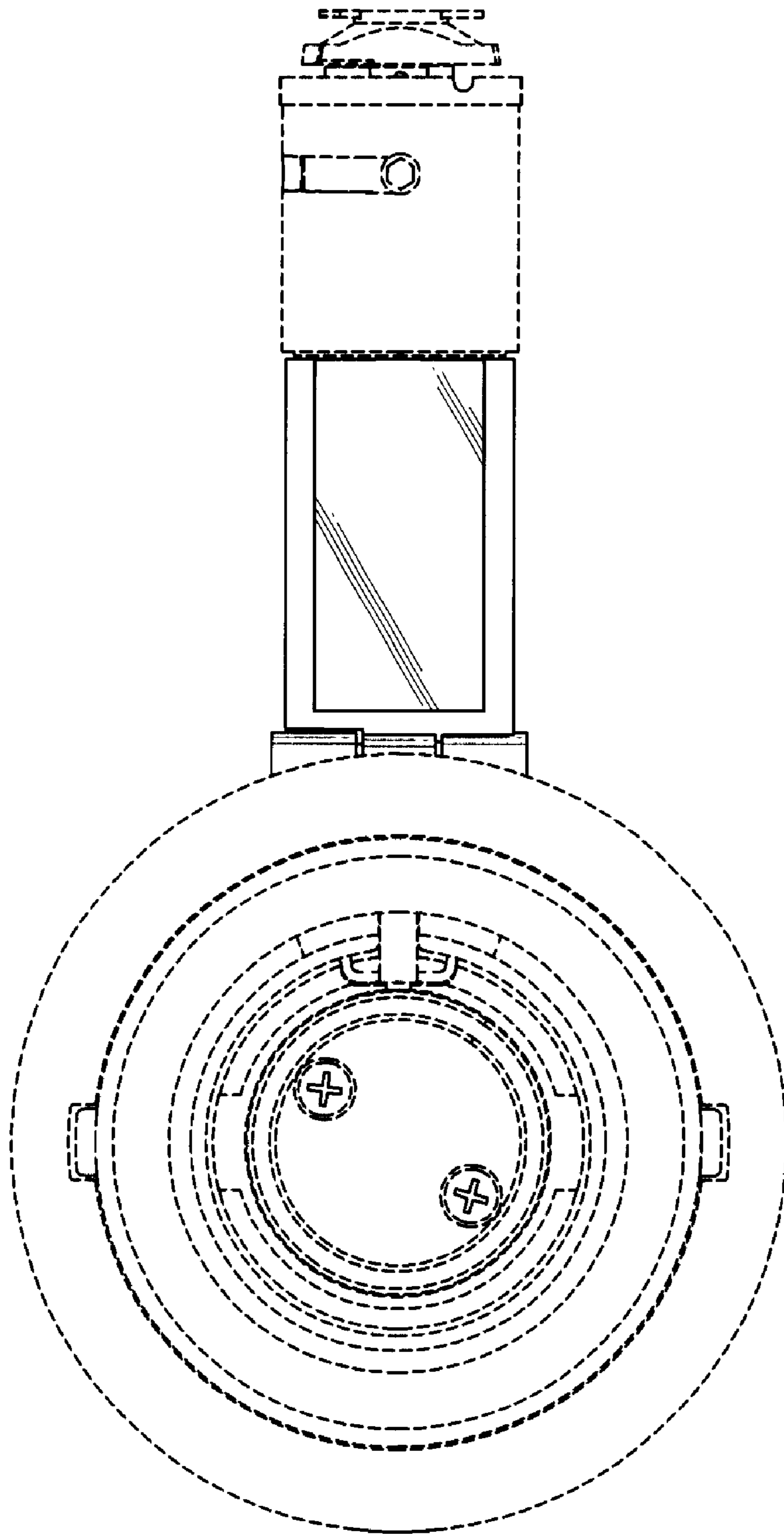


FIG. 4

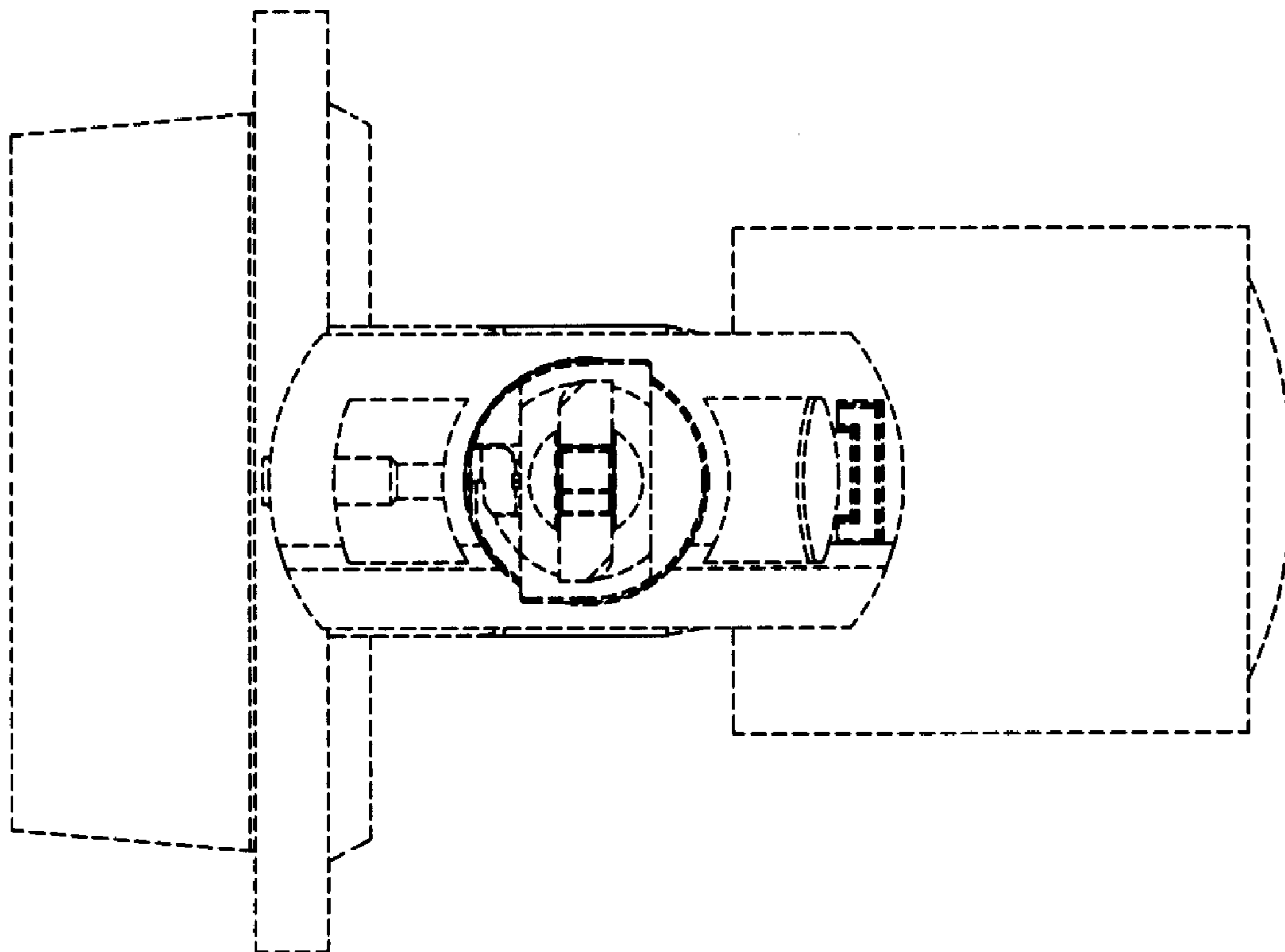


FIG. 5

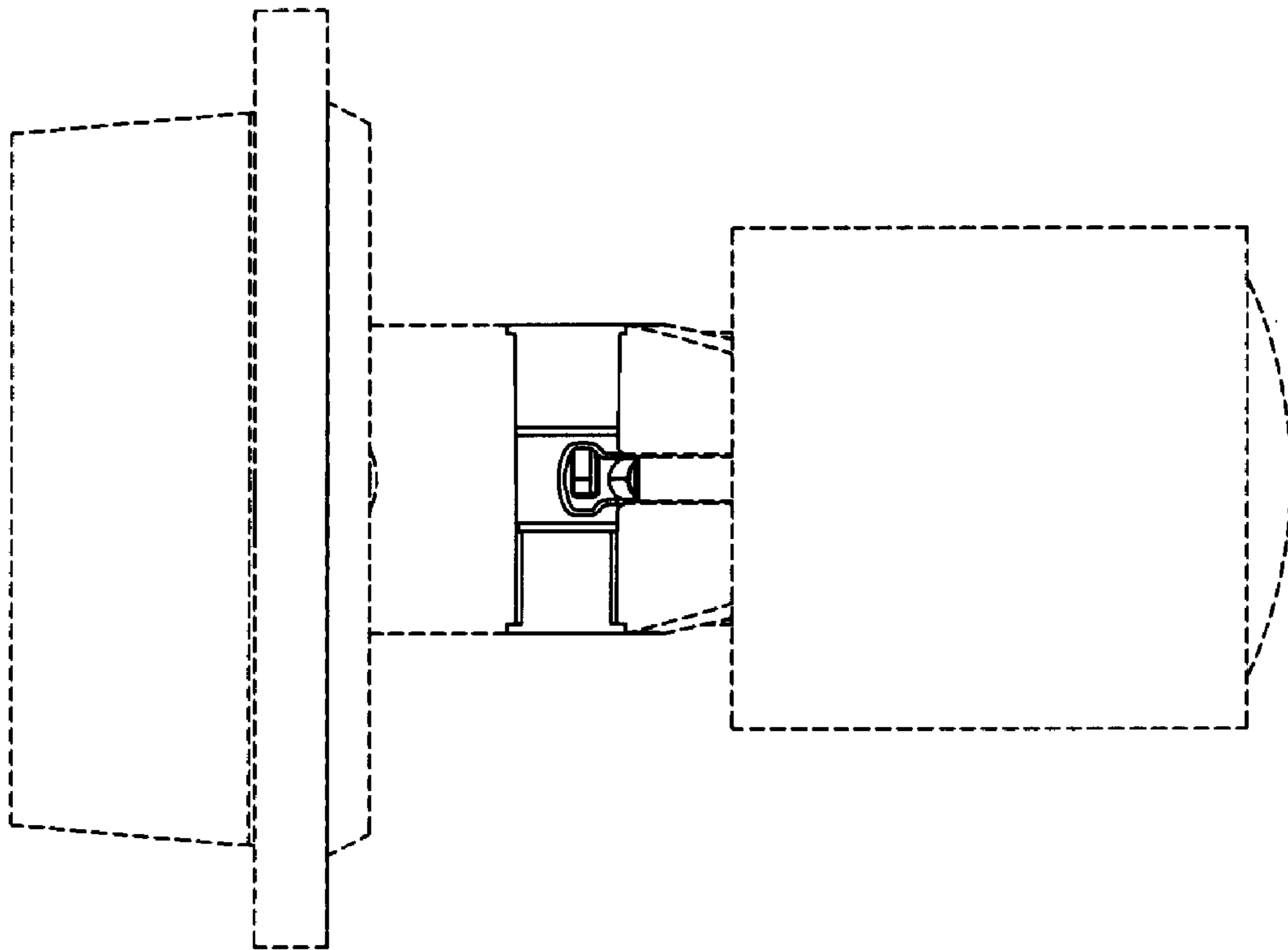


FIG. 6

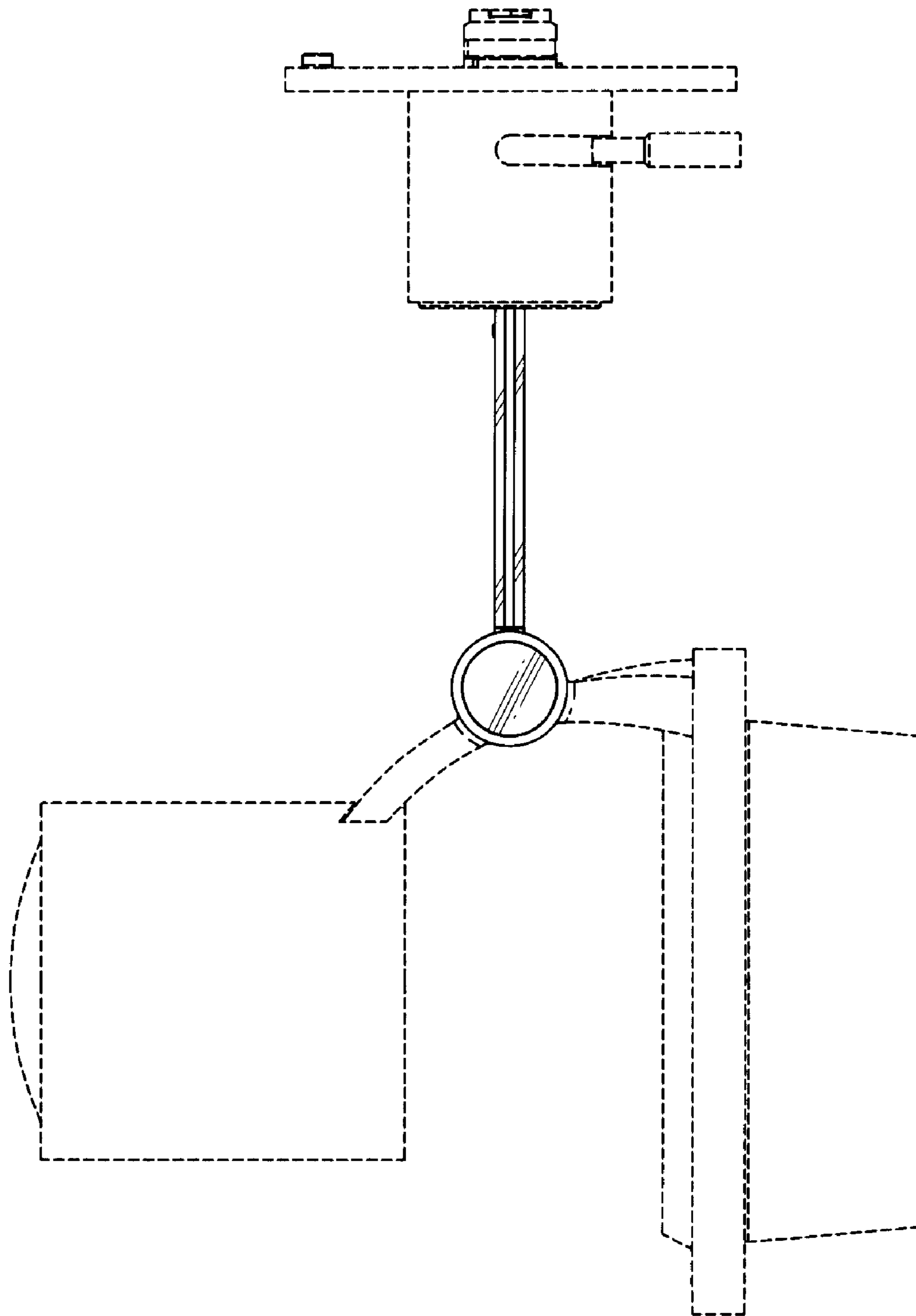


FIG. 7