



US00D536119S

(12) **United States Design Patent**  
**Mier-Langner et al.**

(10) **Patent No.:** **US D536,119 S**

(45) **Date of Patent:** **\*\* Jan. 30, 2007**

(54) **WALL WASH LUMINAIRE**

(75) Inventors: **Alejandro Mier-Langner**, Providence, RI (US); **James E. Kuchar**, Fall River, MA (US); **Andrew E. Medeiros**, Fall River, MA (US)

(73) Assignee: **Genlyte Thomas Group LLC**, Louisville, KY (US)

(\*\*) Term: **14 Years**

(21) Appl. No.: **29/204,972**

(22) Filed: **May 6, 2004**

(51) **LOC (8) Cl.** ..... **26-05**

(52) **U.S. Cl.** ..... **D26/63; D26/61**

(58) **Field of Classification Search** ..... D26/61, D26/63-66, 72; 362/147, 265, 277, 278, 362/281, 282, 285, 287, 288, 306, 404, 427, 362/640, 647, 648, 652, 653, 655  
See application file for complete search history.

(56) **References Cited**

**U.S. PATENT DOCUMENTS**

2,740,885 A \* 4/1956 Kruger ..... 362/220  
D319,702 S \* 9/1991 Kane ..... D26/63  
D353,474 S \* 12/1994 Shyan ..... D26/63  
D436,678 S \* 1/2001 Mier-Langner et al. .... D26/63

D440,337 S \* 4/2001 Fiorato ..... D26/63  
D445,936 S \* 7/2001 Mier-Langner et al. .... D26/63  
D453,227 S \* 1/2002 Lin ..... D26/63  
D461,019 S \* 7/2002 Donato ..... D26/63  
D479,015 S \* 8/2003 Tang ..... D26/63  
2006/0039168 A1 \* 2/2006 Mier-Langner et al. .... 362/648

\* cited by examiner

*Primary Examiner*—Clare E Heflin

(74) *Attorney, Agent, or Firm*—John F. Salazar; Middleton Reutlinger

(57) **CLAIM**

The ornamental design for a wall wash luminaire, as shown and described.

**DESCRIPTION**

FIG. 1 is a perspective view of the design for our wall wash luminaire.

FIG. 2 is a front view of our design.

FIG. 3 is a right side view of our design.

FIG. 4 is a left side view of our design.

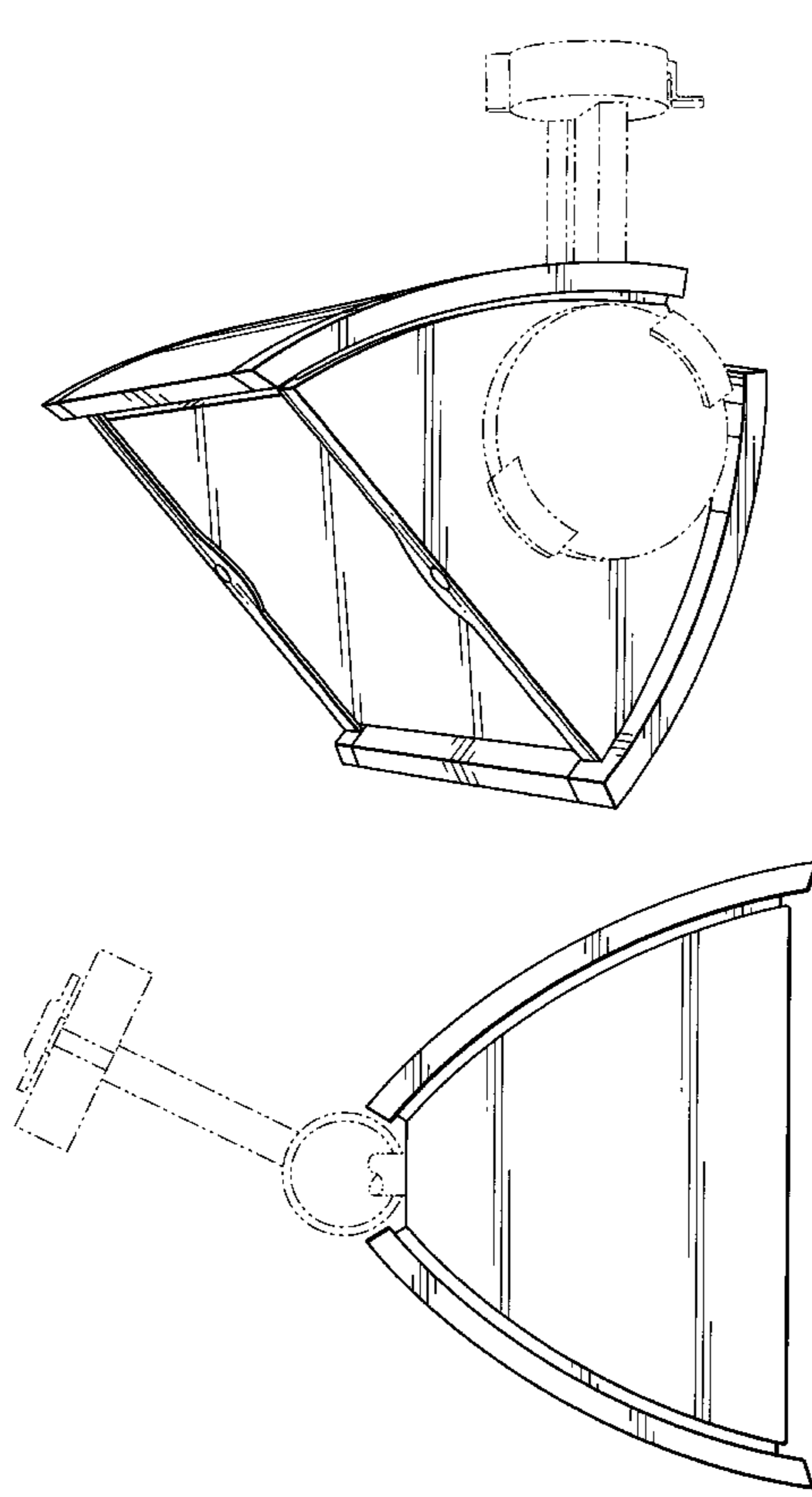
FIG. 5 is a rear view of our design.

FIG. 6 is top view of our design; and,

FIG. 7 is a bottom view of our design.

The broken line showing environmental structure is for illustrative purposes only and forms no part of the claimed design.

**1 Claim, 7 Drawing Sheets**



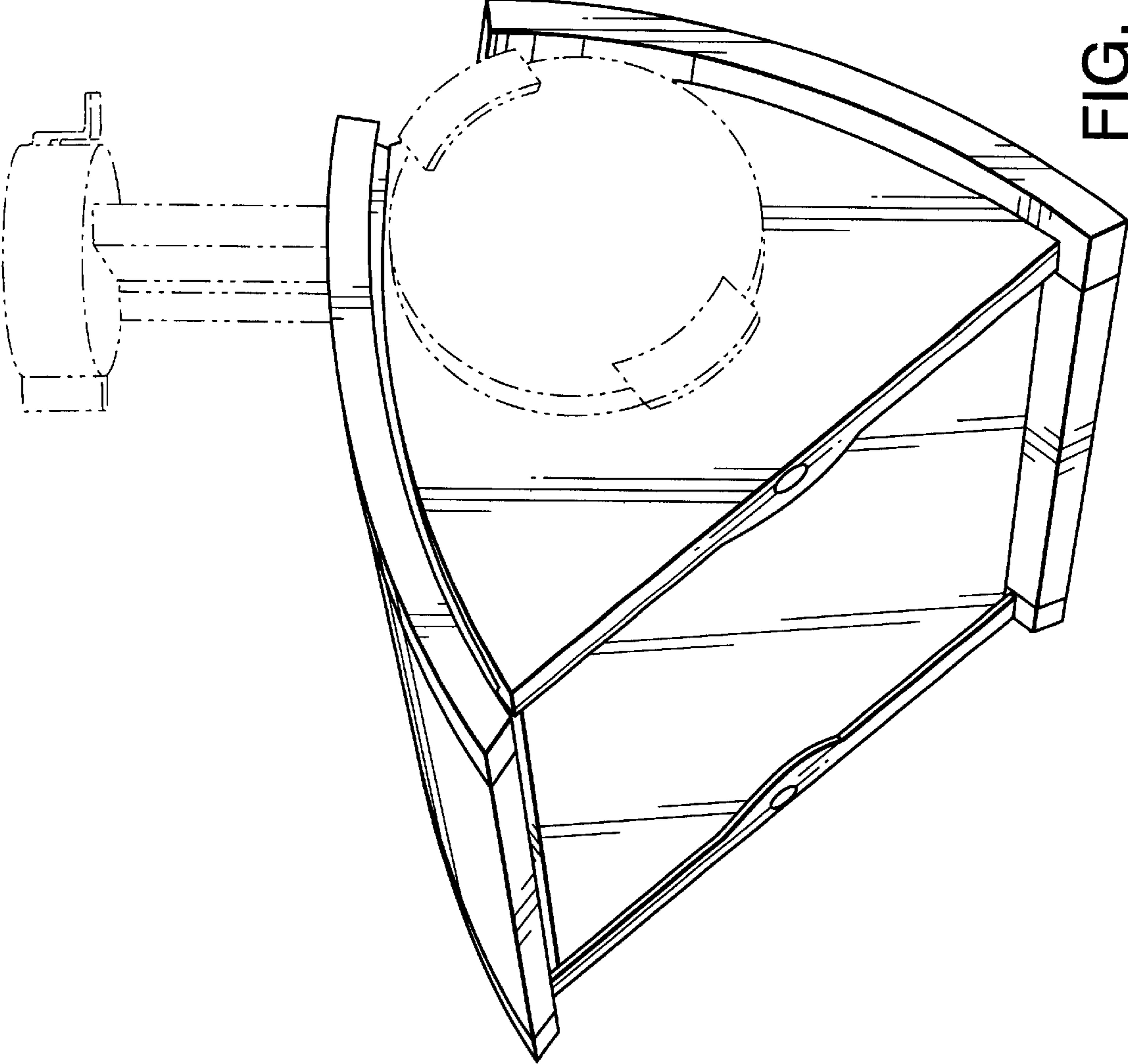


FIG. 1

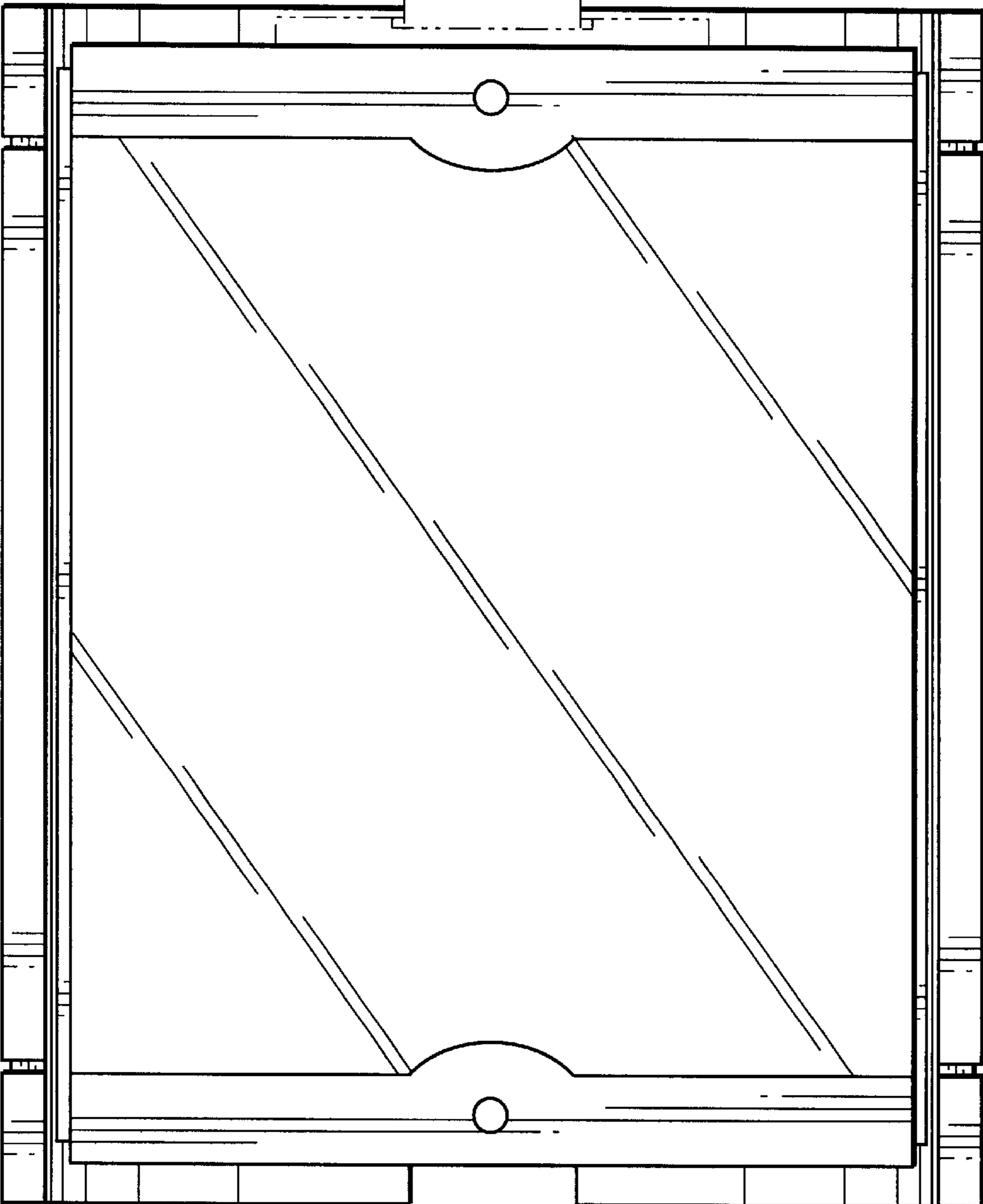


FIG. 2

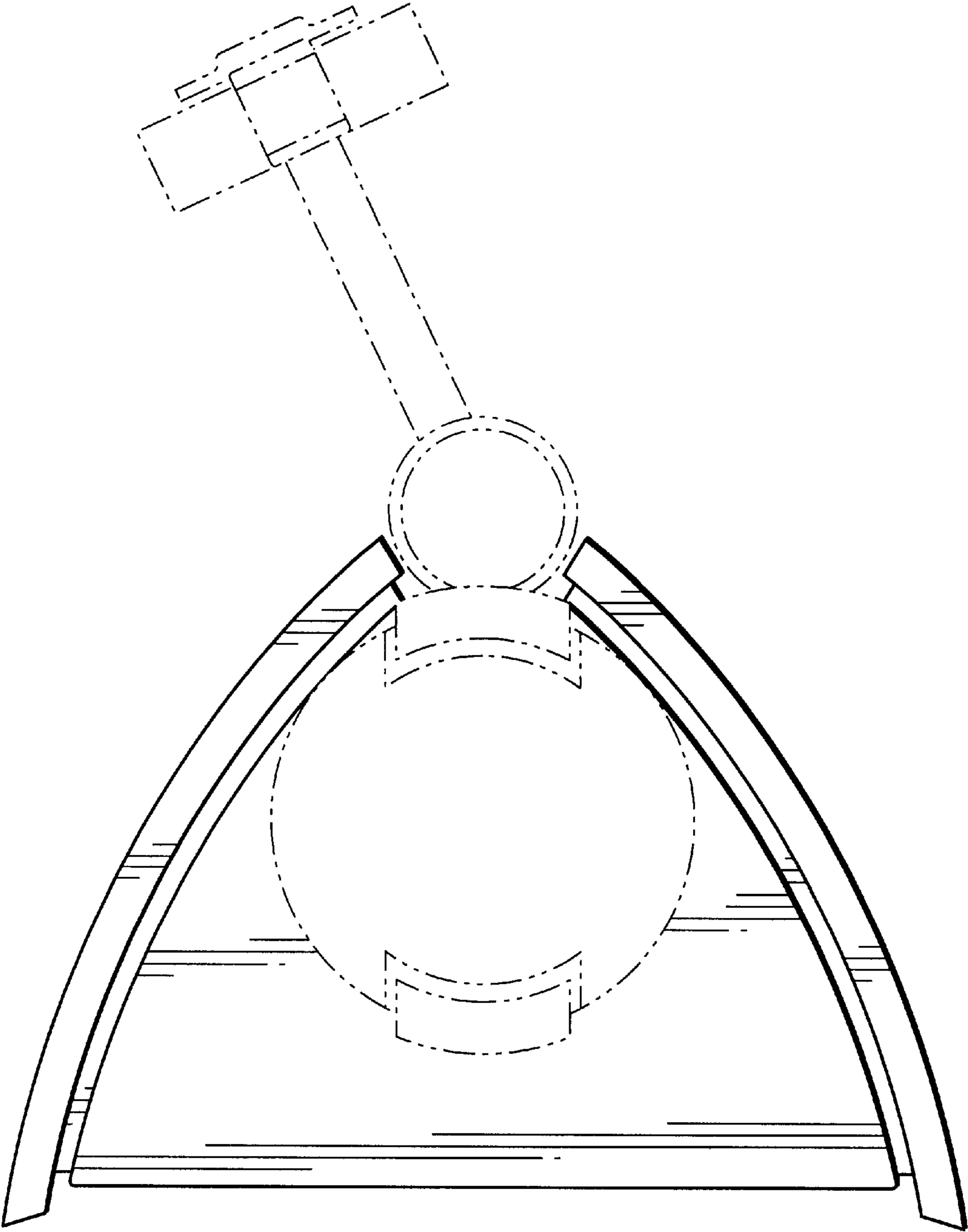


FIG. 3

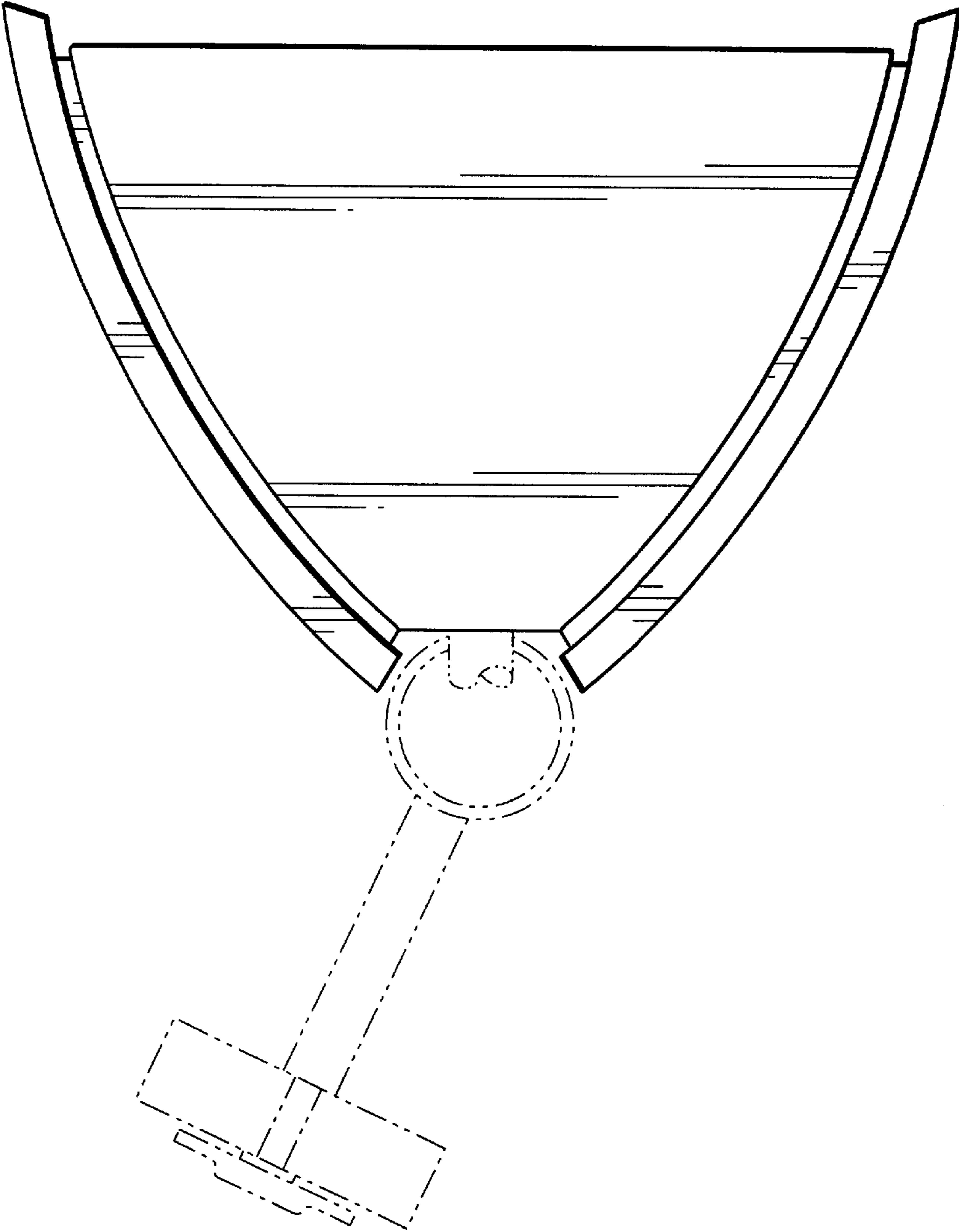


FIG. 4

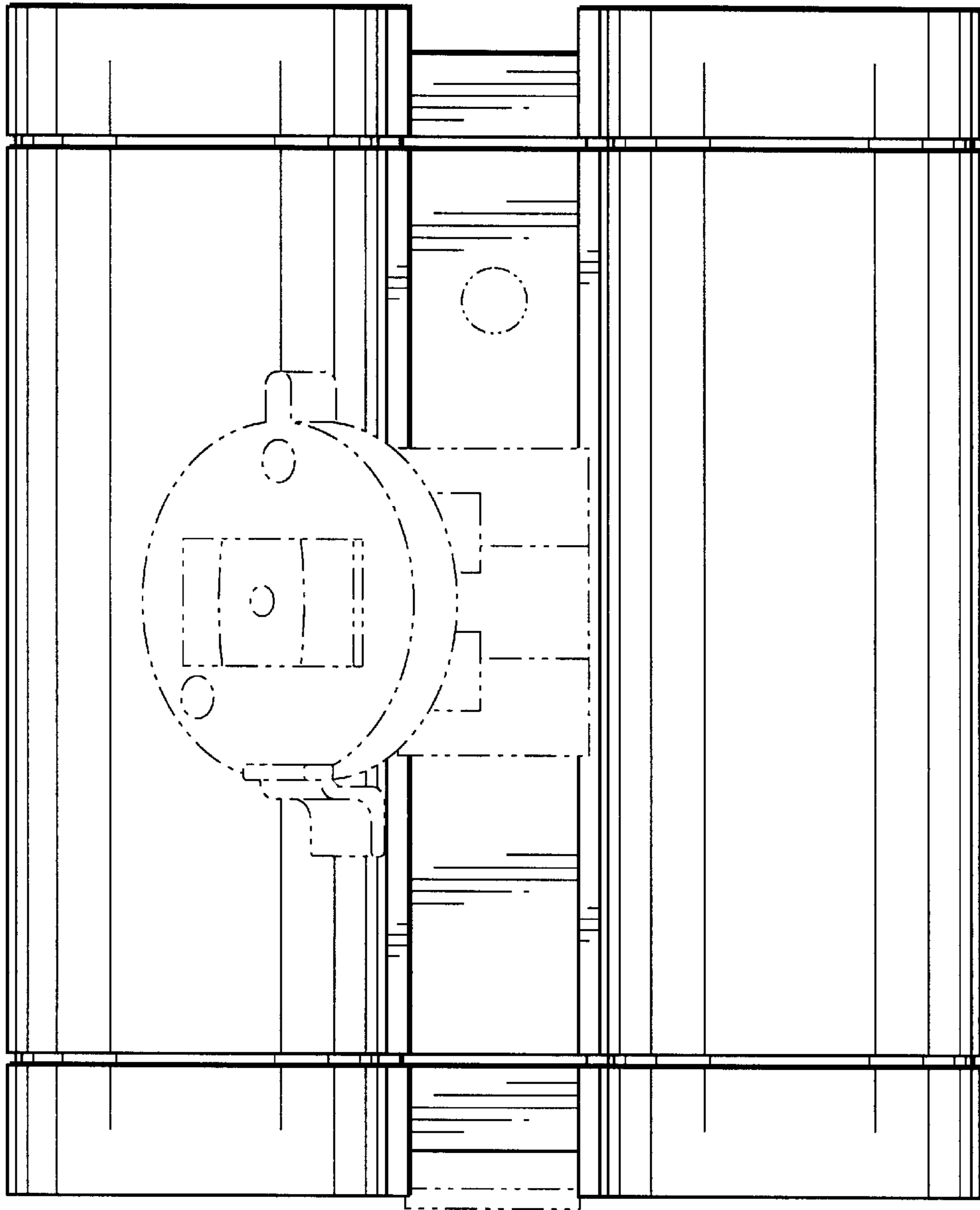


FIG. 5

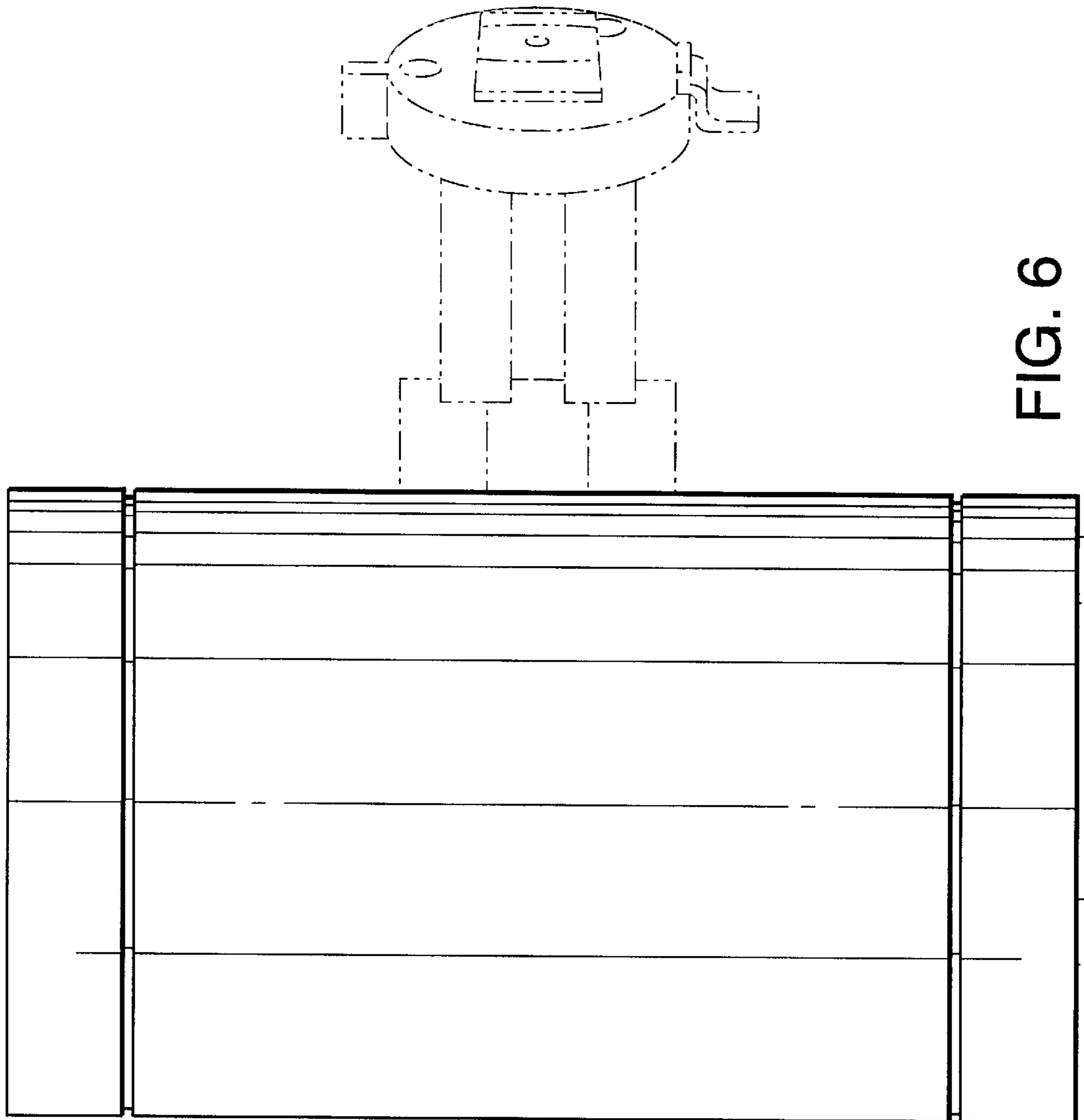


FIG. 6

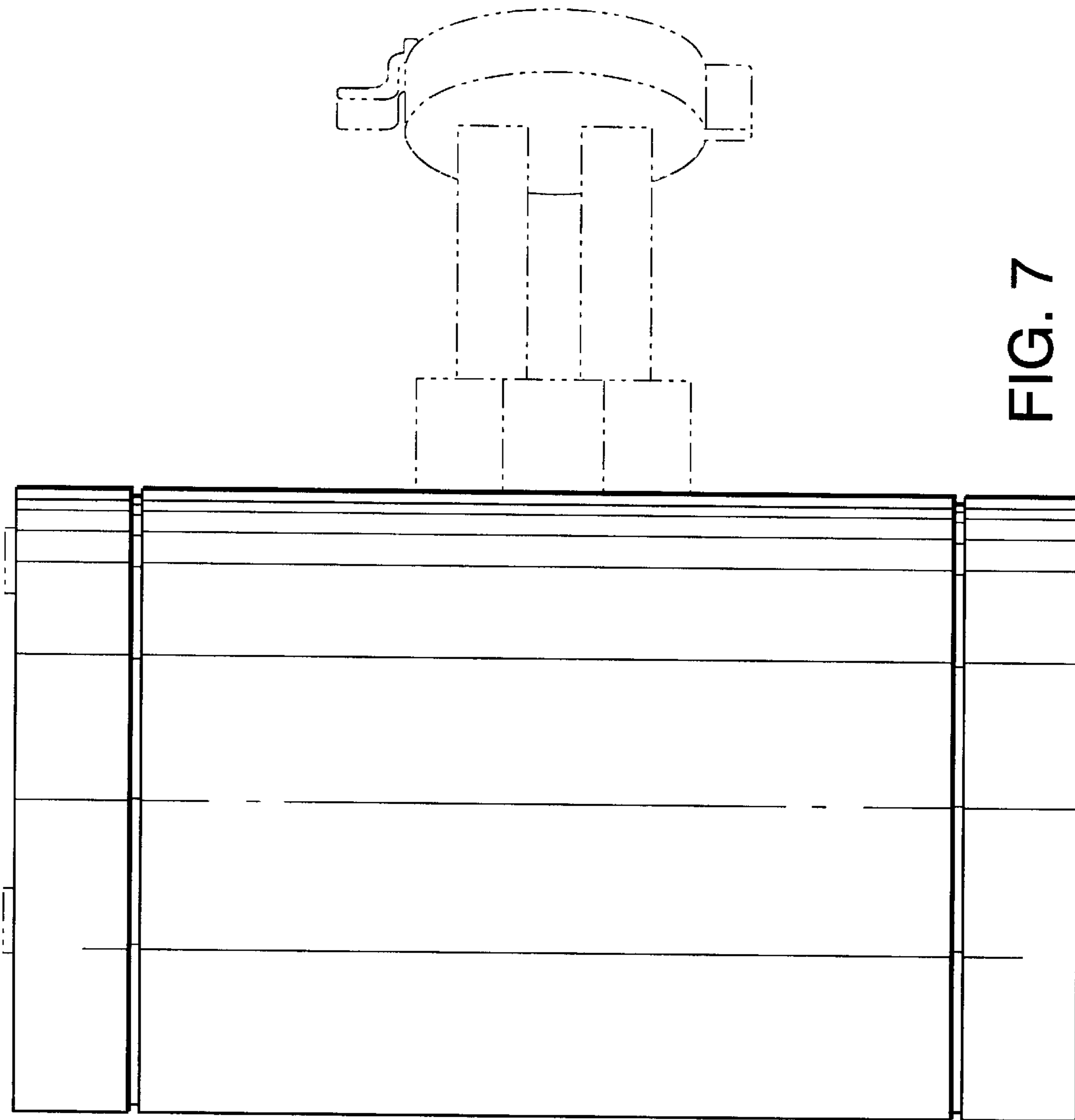


FIG. 7