

US00D536116S

(12) **United States Design Patent**
Sharrah

(10) **Patent No.:** **US D536,116 S**
(45) **Date of Patent:** **** Jan. 30, 2007**

(54) **LIGHT HAVING A BENDABLE NECK**

(75) Inventor: **Raymond L. Sharrah**, Collegeville
Borough, PA (US)

(73) Assignee: **Streamlight, Inc.**, Eagleville, PA (US)

(**) Term: **14 Years**

(21) Appl. No.: **29/239,741**

(22) Filed: **Oct. 4, 2005**

(51) **LOC (8) Cl.** **26-02**

(52) **U.S. Cl.** **D26/43**

(58) **Field of Classification Search** D26/37-50;
362/157, 158, 171-174, 183-208
See application file for complete search history.

(56) **References Cited**

U.S. PATENT DOCUMENTS

2,467,954 A	4/1949	Becker
D166,073 S	3/1952	Dunkelberger
2,648,762 A	8/1953	Dunkelberger
3,103,723 A	9/1963	Becker
3,111,277 A	11/1963	Grimsley
3,881,468 A	5/1975	Foltz

(Continued)

OTHER PUBLICATIONS

Streamlight Inc., "Streamlight Jr.® Luxeon® Information,"
http://www.streamlight.com/jr_lux_all.htm, Printed Sep.
19, 2005, 1 Page.

Streamlight Inc., "Streamlight Jr.® Specifications," http://www.streamlight.com/sl_junior_specifications.htm,
Printed Sep. 19, 2005, 1 Page.

Streamlight Inc., "Streamlight Jr. Parts & Accessories,"
http://www.streamlight.com/sl_junior_accessories.htm,
Printed Sep. 19, 2005, 1 Page.

Streamlight, Inc., "Stylus Reach® Information," http://www.streamlight.com/stylus_reach_info.htm, Printed Sep.
29, 2005, 1 Page.

Streamlight Inc., "Stylus Reach® Specifications," http://www.streamlight.com/stylus_reach_specs.htm, Printed
Sep. 29, 2005, 2 Pages.

Streamlight Inc., "Stylus Reach® 18," <http://www.streamlight.com/reach18.htm>, Printed Sep. 29, 2005, 1 Page.

Primary Examiner—Marcus A. Jackson

(74) *Attorney, Agent, or Firm*—Dann, Dorfman, Herrell
and Skillman; Clement A. Berard

(57) **CLAIM**

The ornamental design for a light having a bendable neck,
substantially as shown and described.

DESCRIPTION

FIG. 1 is a perspective view of an example embodiment of
an ornamental design for a light having a bendable neck
between a light-producing end and a housing, in which the
bendable neck is illustrated as being bent into a "U" shape;
FIG. 2 is a side view of the example embodiment of an
ornamental design for a light having a bendable neck shown
in FIG. 1;

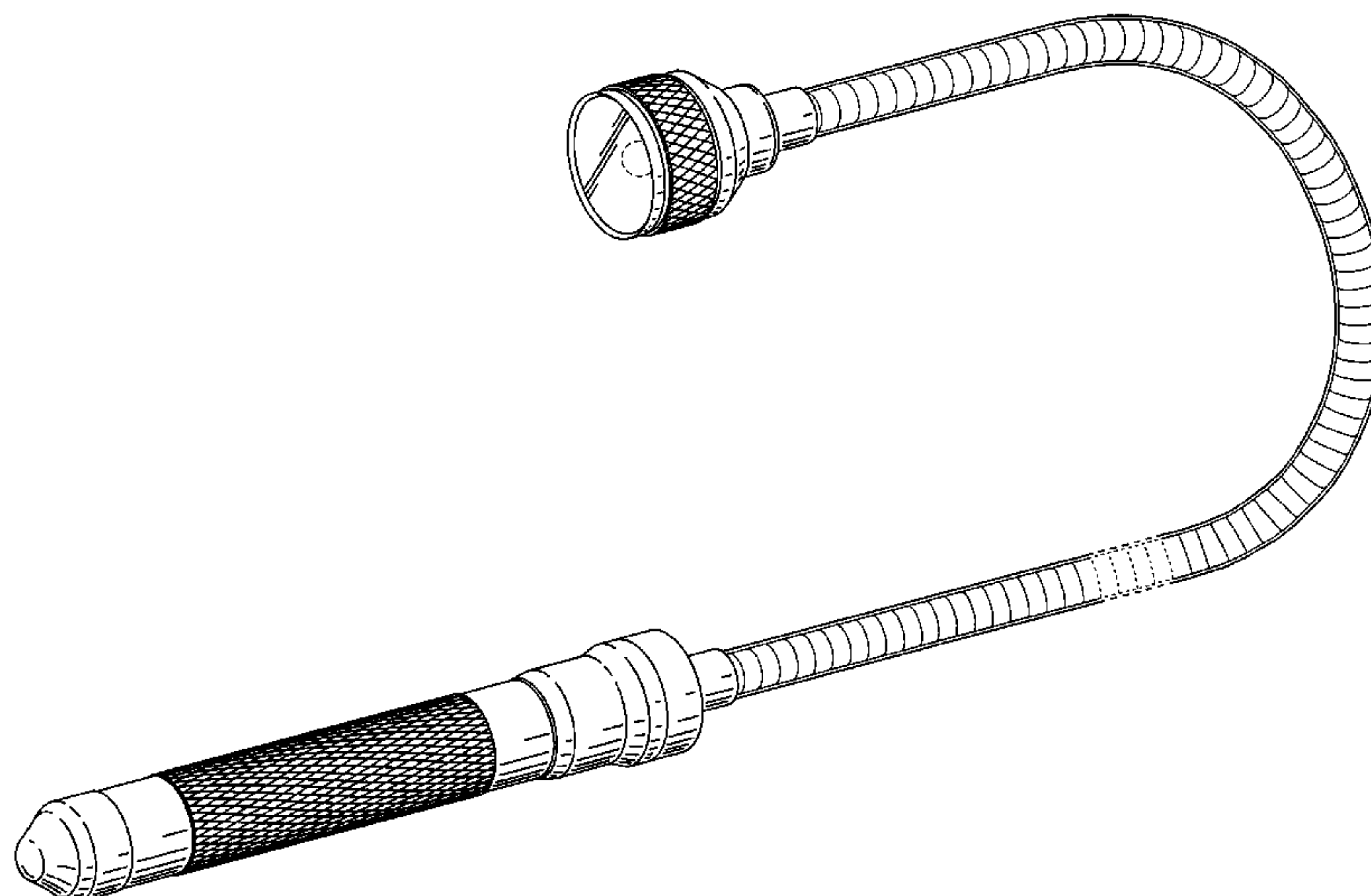
FIG. 3 is an end view of the light producing end of the
example embodiment of an ornamental design for a light
having a bendable neck shown in FIGS. 1 and 2, in which
the bendable neck is bent to place the housing in view;

FIG. 4 is an end view of the housing of the example
embodiment of an ornamental design for a light having a
bendable neck shown in FIGS. 1, 2 and 3, in which the
bendable neck is bent to place the light producing end in
view; and,

FIG. 5 is a side view of an example embodiment of an
ornamental design for a light having a bendable neck, in
which the bendable neck is illustrated as being bent into a
loop, and having end views substantially as shown in FIGS.
3 and 4.

Broken lines in the illustrations of the FIGURES of the
drawing indicate parts of the article that are not part of the
design illustrated therein. For example, the bendable neck of
the light may be longer or shorter than illustrated.

1 Claim, 4 Drawing Sheets



US D536,116 S

Page 2

U.S. PATENT DOCUMENTS

D283,645 S	4/1986	Tanaka			
D302,325 S	7/1989	Charet et al.			
5,154,483 A	10/1992	Zeller			
D341,220 S	11/1993	Eagan			
D364,935 S	* 12/1995	deBlois	D26/43		
D374,734 S	* 10/1996	Esposito	D26/43		
5,571,279 A	11/1996	Chiang			
D377,989 S	2/1997	Marvin et al.			
D378,858 S	4/1997	Kaiser			
5,615,945 A	4/1997	Tseng			
D379,540 S	5/1997	Szymanski			
D379,541 S	5/1997	Kaiser			
D379,542 S	5/1997	Egashira			
D380,061 S	6/1997	Swyst			
D380,844 S	7/1997	Kaiser			
D381,101 S	7/1997	Haberstich et al.			
D381,445 S	7/1997	Linnane			
D381,446 S	7/1997	Kaiser			
D381,447 S	7/1997	Haberstich et al.			
D382,075 S	8/1997	Swyst			
D383,231 S	9/1997	Kaiser			
D385,637 S	10/1997	Rombough			
D387,454 S	12/1997	Kaiser			
5,707,137 A	1/1998	Hon			
D390,985 S	2/1998	Shiau			
5,716,121 A	2/1998	Dubois			
5,717,276 A	2/1998	Hsu			
D392,758 S	3/1998	Cedarberg, III			
5,722,764 A	3/1998	Jou			
D394,721 S	5/1998	Santarsiero			
D403,453 S	* 12/1998	Shiau	D26/43		
5,975,712 A	11/1999	Shiao			
D418,240 S	12/1999	Sherman			
6,000,809 A	12/1999	Belo			
6,004,004 A	12/1999	Altman et al.			
6,007,214 A	12/1999	Shiao			
D435,679 S	12/2000	Naghi et al.			
6,280,050 B1	8/2001	Bird et al.			
RE38,014 E	3/2003	Bieberstein			
D479,888 S	* 9/2003	Sharrah et al.	D26/37		
6,680,844 B1	1/2004	Kim			
6,718,136 B1	4/2004	Bird et al.			
D489,839 S	* 5/2004	Opolka	D26/43		
6,874,908 B1	4/2005	Sharrah et al.			
D518,212 S	* 3/2006	Shiu	D26/43		

* cited by examiner

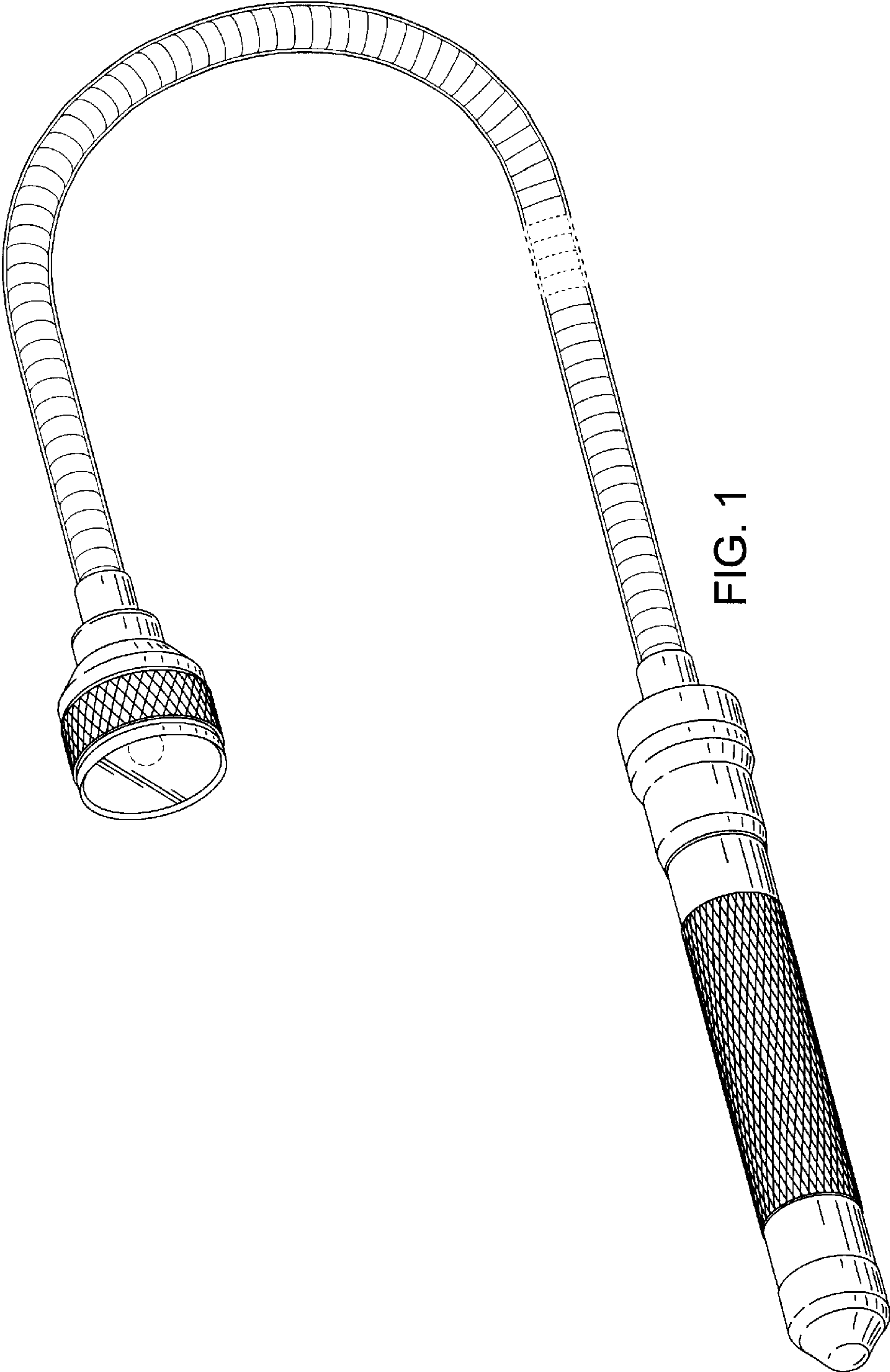


FIG. 1

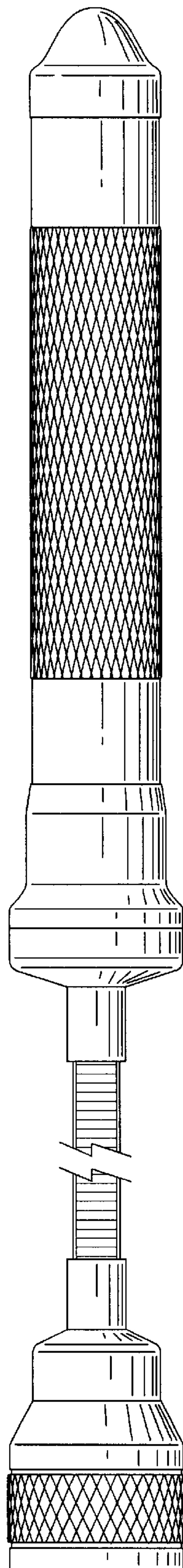


FIG. 2

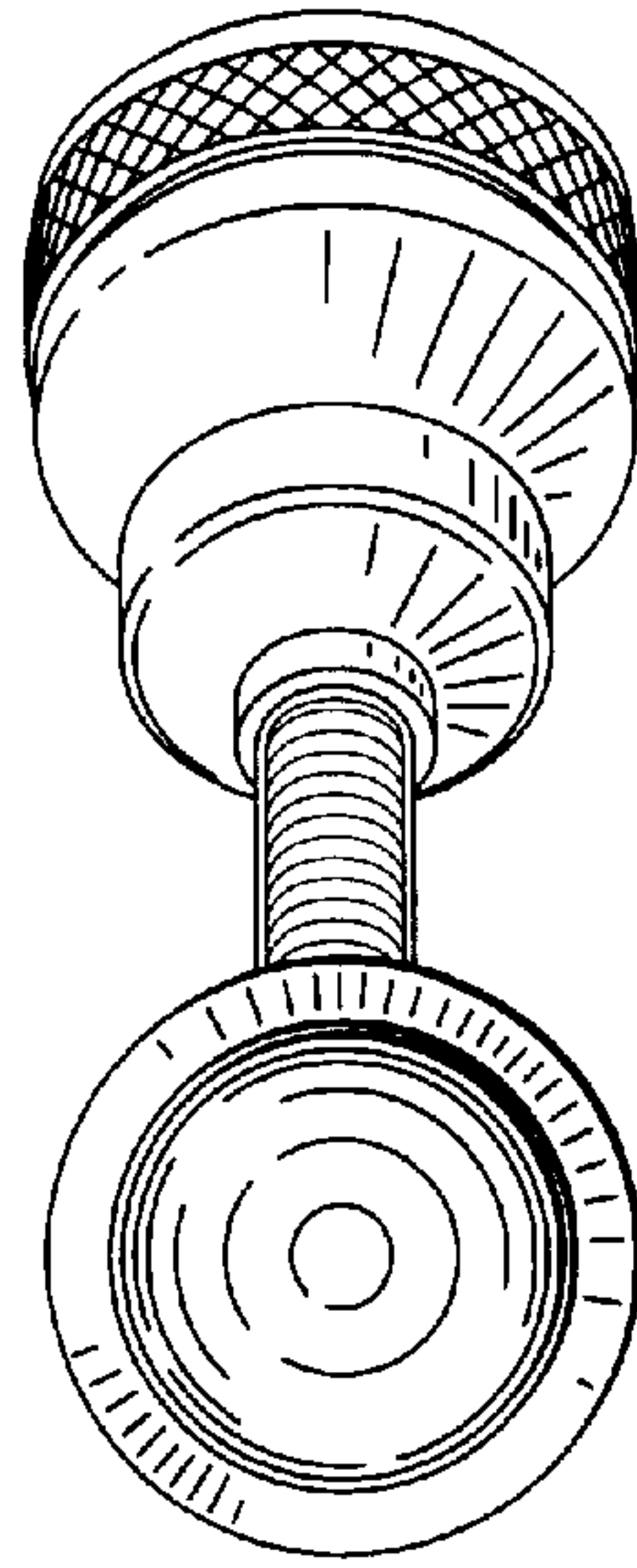


FIG. 4

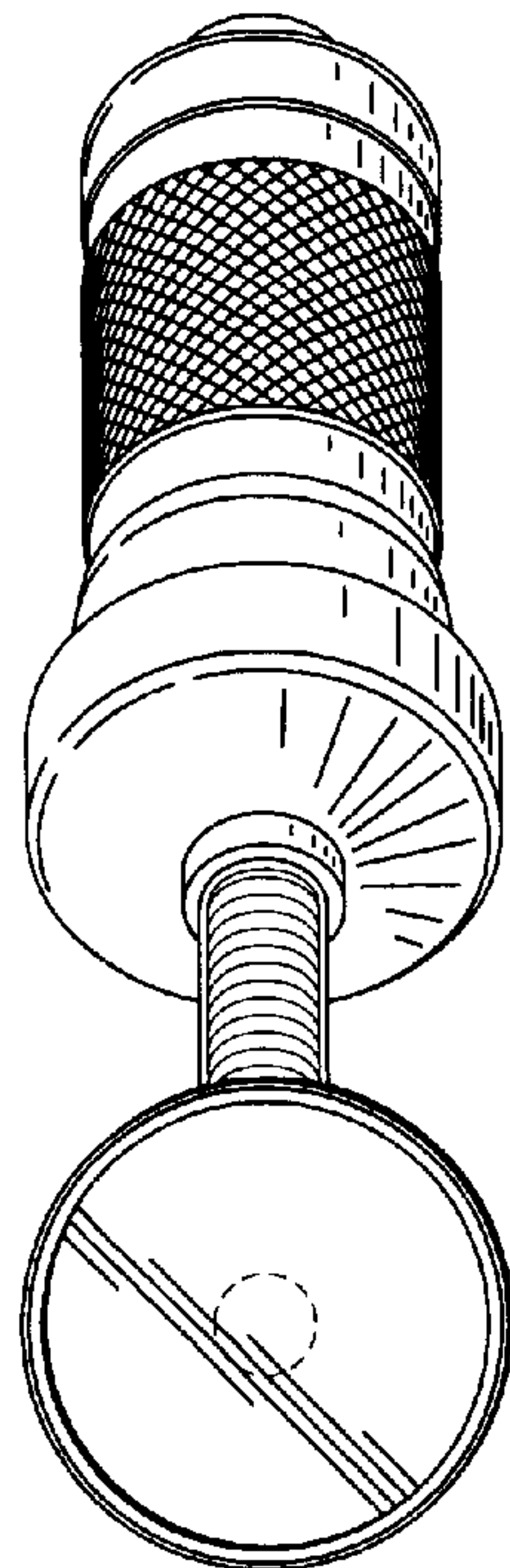


FIG. 3

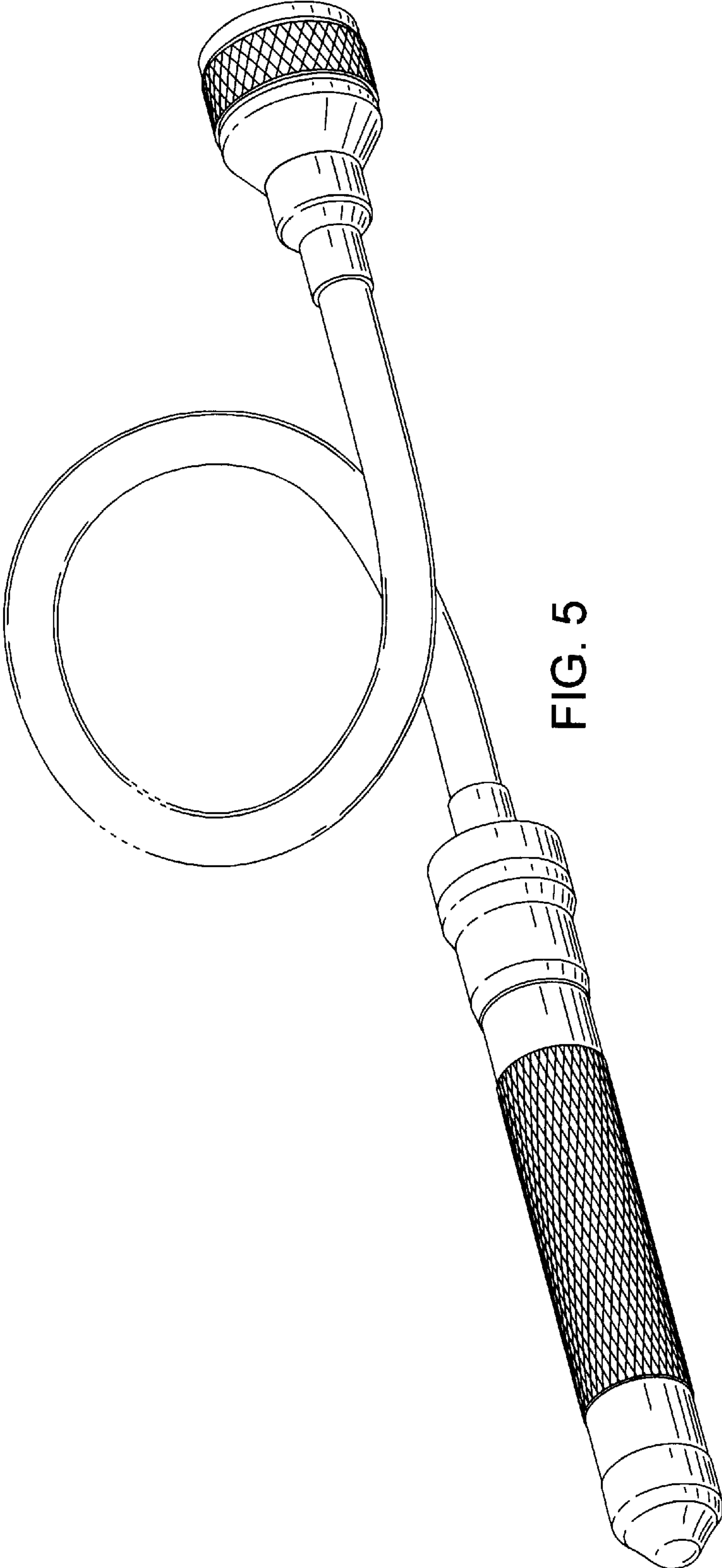


FIG. 5