



US00D536111S

(12) **United States Design Patent**
Li et al.

(10) **Patent No.: US D536,111 S**
(45) **Date of Patent: ** Jan. 30, 2007**

(54) **ACCENT LIGHT DEVICE**

(75) Inventors: **Jingdong Li**, Richardson, TX (US);
Ron Gamble, Grapevine, TX (US); **Jon Stieben**, Rowlett, TX (US)

(73) Assignee: **Novanitek, Inc.**, Dallas, TX (US)

(**) Term: **14 Years**

(21) Appl. No.: **29/223,052**

(22) Filed: **Feb. 8, 2005**

(51) **LOC (8) Cl.** **26-04**

(52) **U.S. Cl.** **D26/24**

(58) **Field of Classification Search** D26/24,
D26/25, 26, 28, 36, 37, 67, 72, 80, 93; 362/84,
362/157, 181, 183, 184, 185, 555, 611, 612
See application file for complete search history.

(56) **References Cited**

U.S. PATENT DOCUMENTS

- D69,411 S * 2/1926 Woller D26/35
- D141,155 S * 5/1945 Adrian D26/124
- D141,895 S * 7/1945 Arenberg D26/124

- D243,035 S * 1/1977 Kohlenstein D26/24
- D249,291 S * 9/1978 Pemberton D26/85
- D261,118 S * 10/1981 Perhacs, Jr. D10/121
- D440,673 S 4/2001 Handsaker
- D443,377 S * 6/2001 Handsaker D26/72
- 2004/0223342 A1 * 11/2004 Klipstein et al. 362/555

* cited by examiner

Primary Examiner—Alan P. Douglas

Assistant Examiner—Angela J. Lee

(74) *Attorney, Agent, or Firm*—Jackson Walker L.L.P.

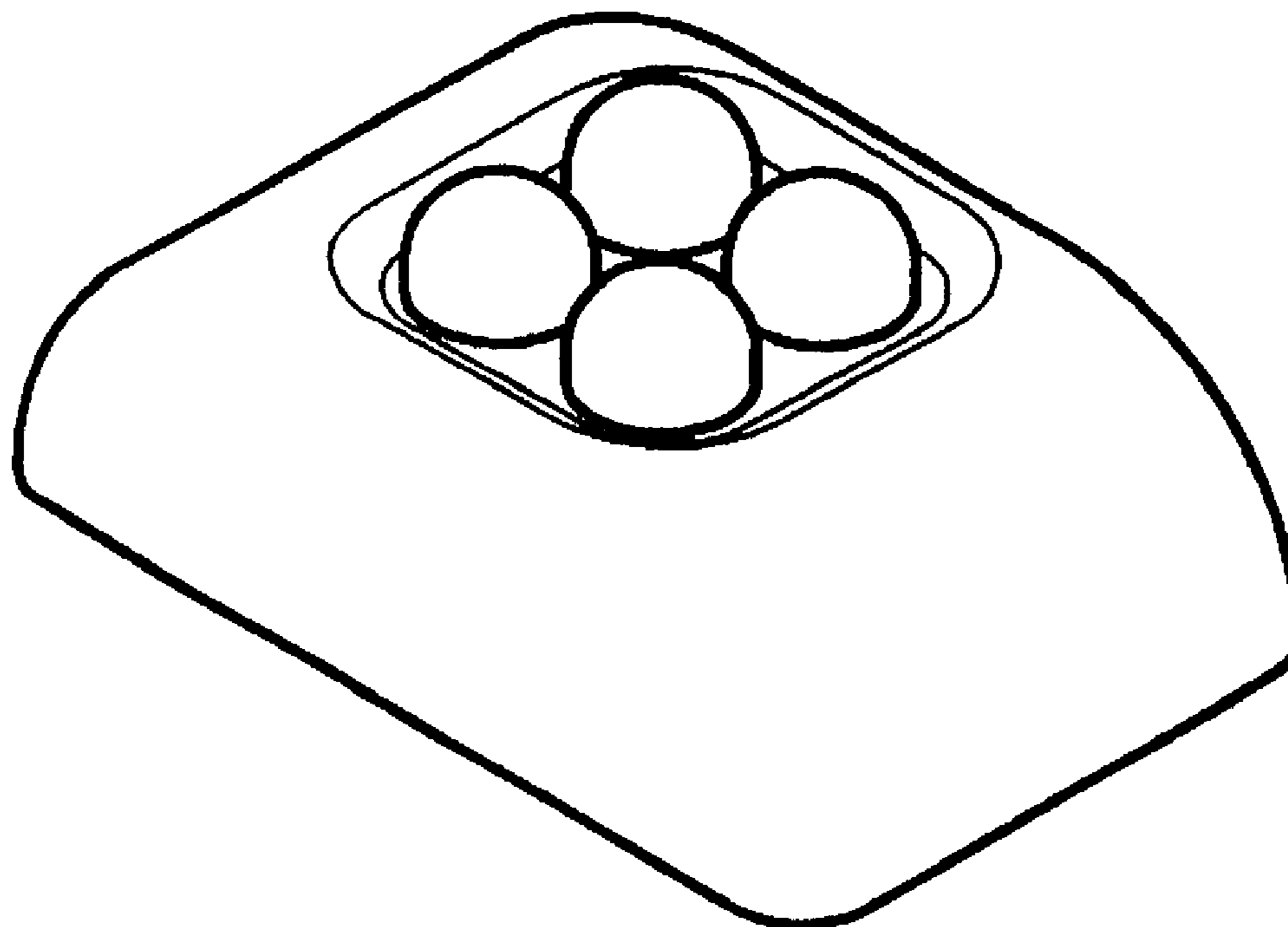
(57) **CLAIM**

The ornamental design for a “accent light device,” as shown and described.

DESCRIPTION

FIG. 1 is a front perspective view of the accent light device; FIG. 2 is a top plan view thereof; FIG. 3 is a bottom plan view thereof; FIG. 4 is a front elevational view thereof; FIG. 5 is a rear elevational view thereof; and, FIG. 6 is an end elevational view with the opposite end being a mirror image thereof.

1 Claim, 1 Drawing Sheet



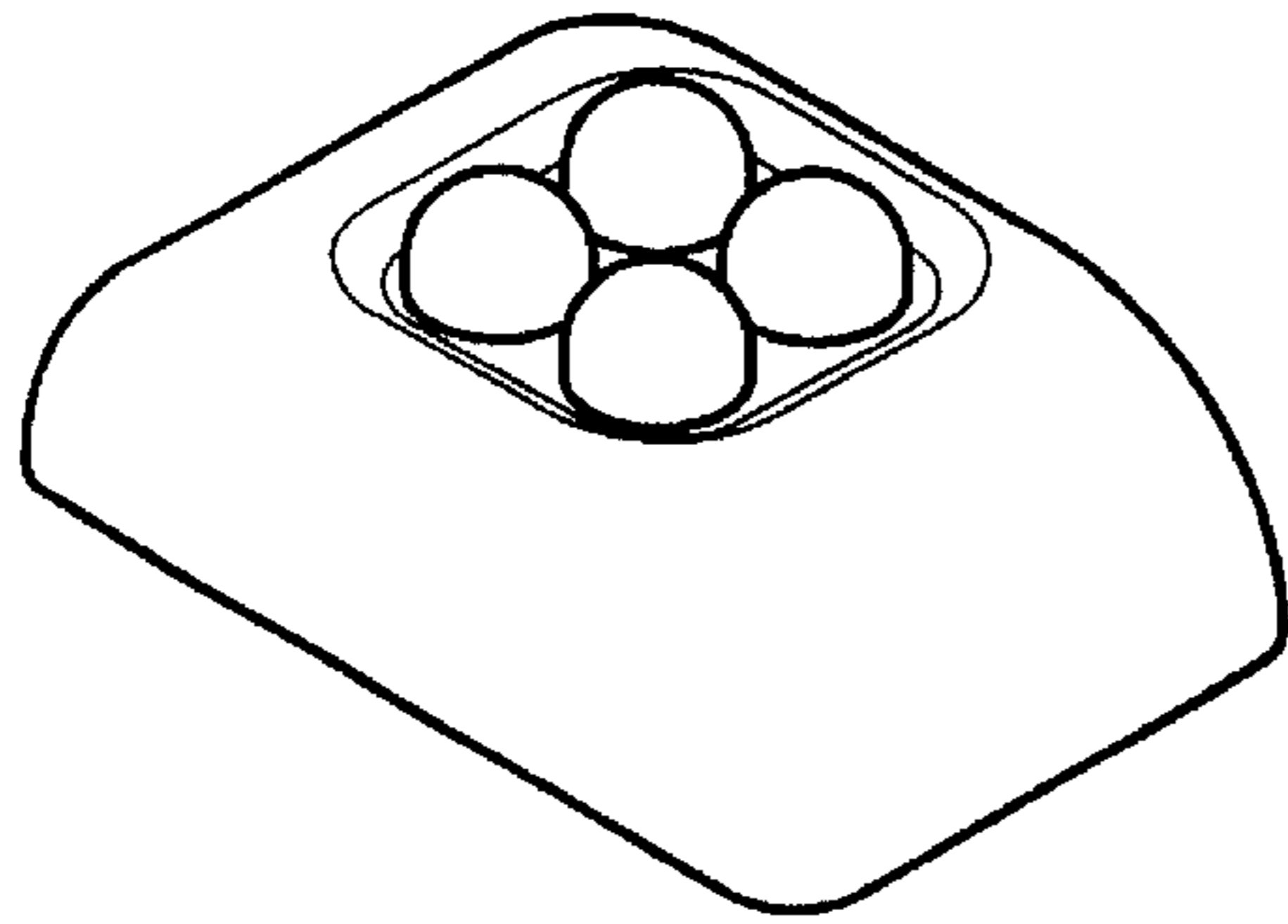


Fig. 1

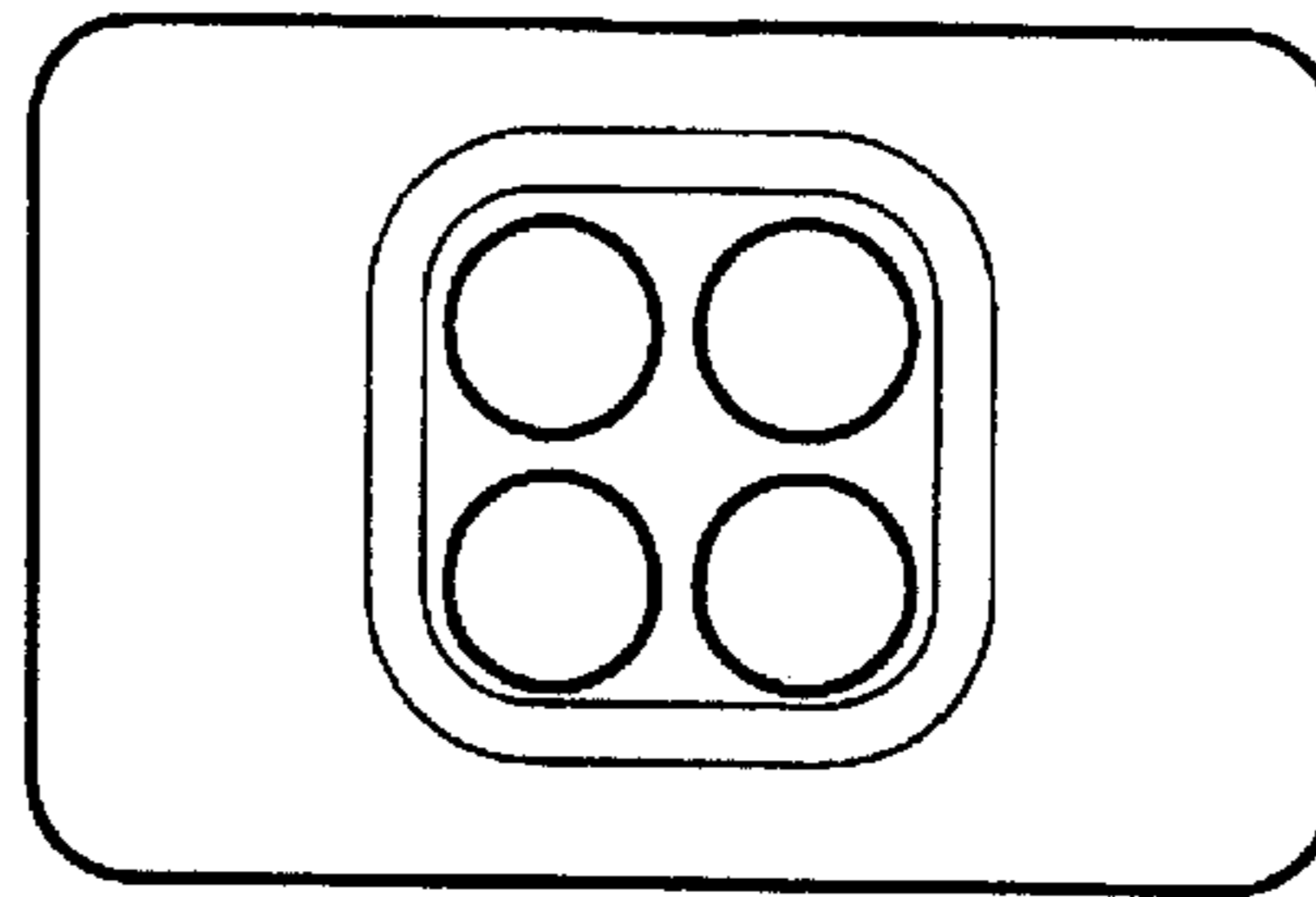


Fig. 2

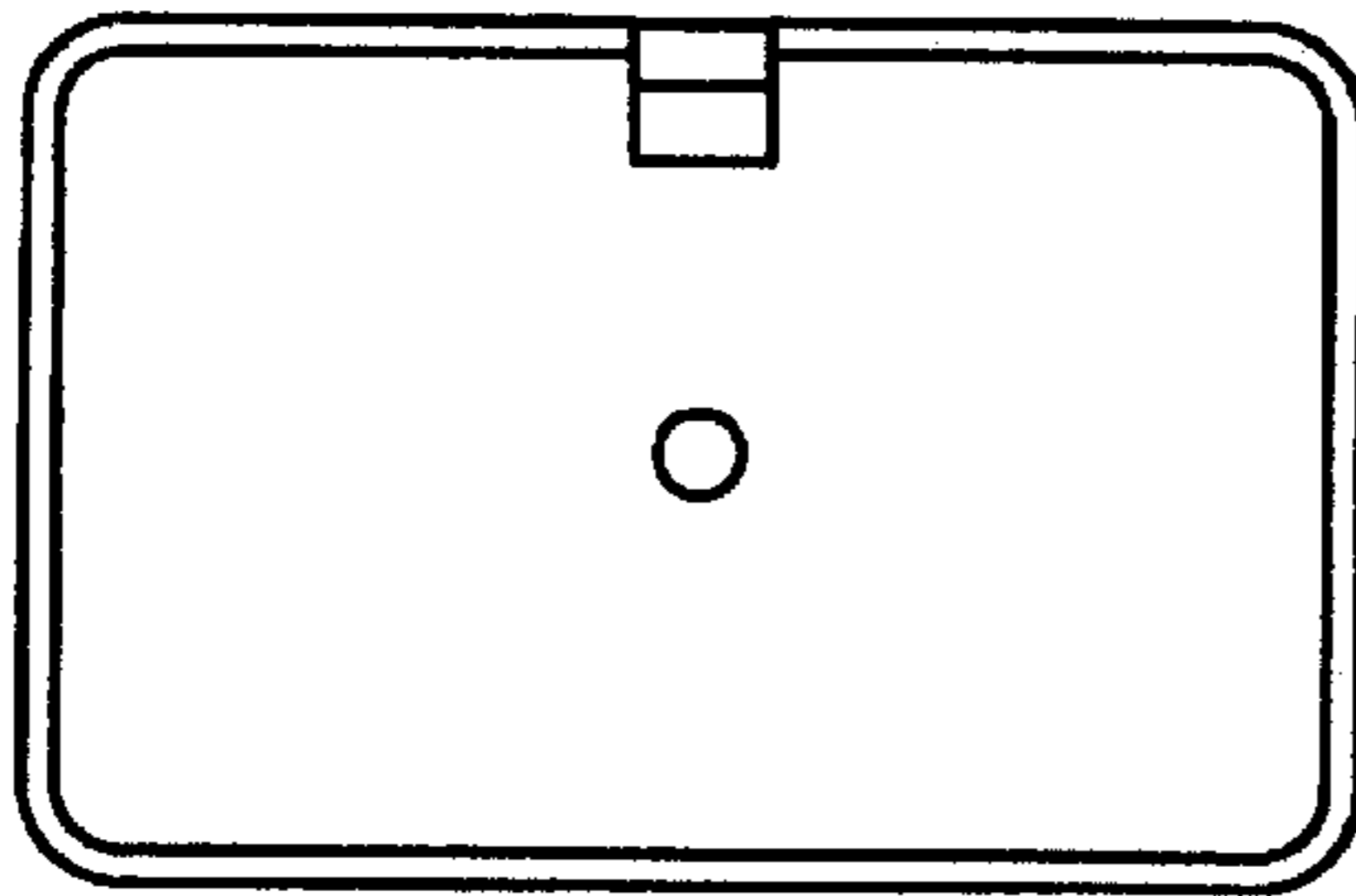


Fig. 3

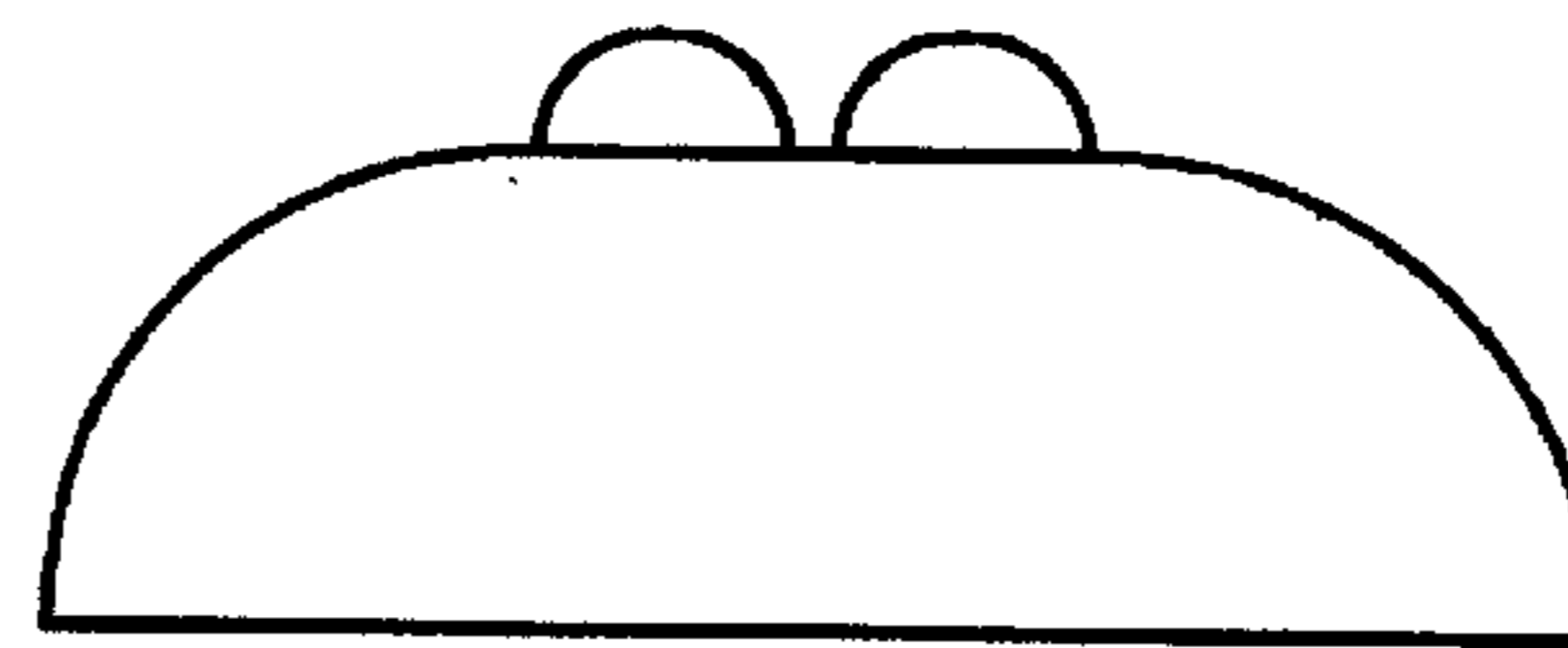


Fig. 4

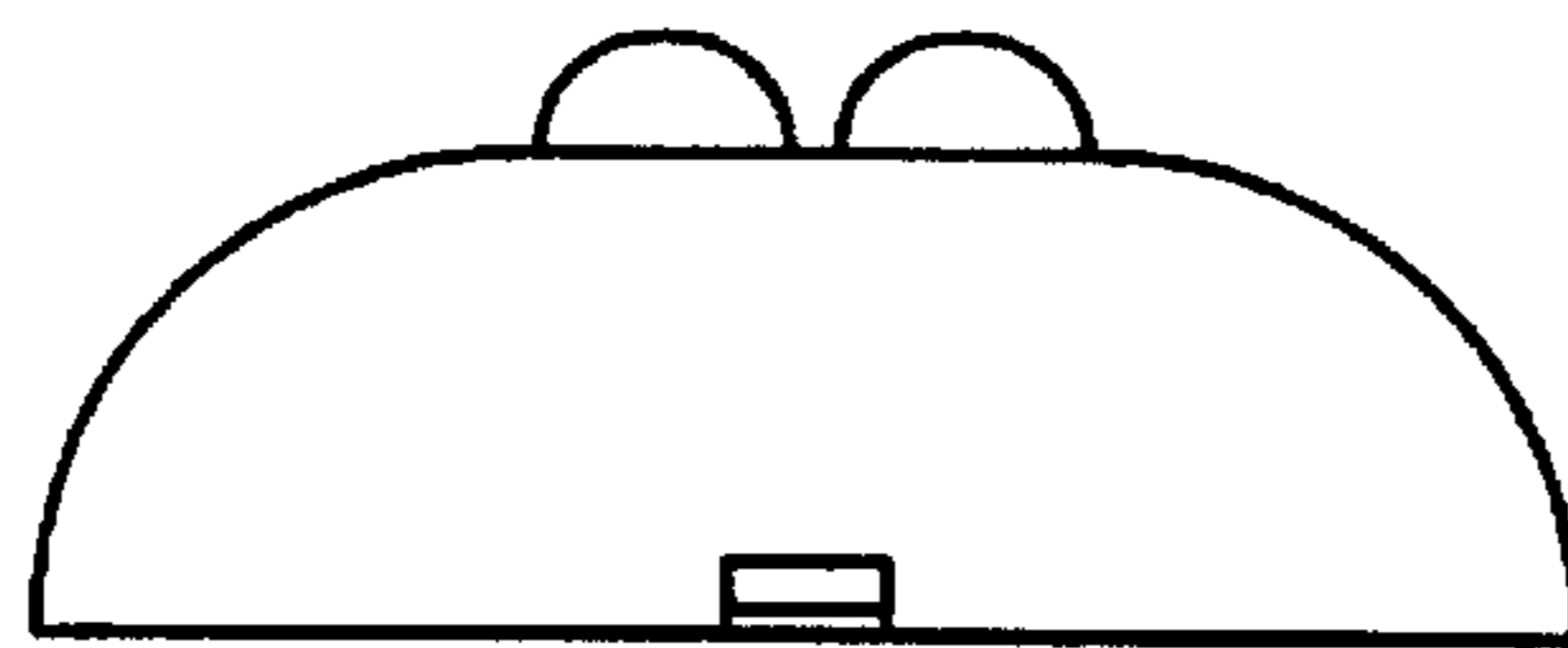


Fig. 5



Fig. 6