



US00D536110S

(12) **United States Design Patent**  
**Wright**

(10) **Patent No.:** **US D536,110 S**

(45) **Date of Patent:** **\*\* Jan. 30, 2007**

(54) **STOVE LIGHT**

(75) Inventor: **Joshua M. Wright**, Hoboken, NJ (US)

(73) Assignee: **The Coleman Company, Inc.**, Wichita, KS (US)

(\*\*) Term: **14 Years**

(21) Appl. No.: **29/218,243**

(22) Filed: **Nov. 29, 2004**

(51) **LOC (8) Cl.** ..... **26-05**

(52) **U.S. Cl.** ..... **D26/24**

(58) **Field of Classification Search** ..... D26/24,  
D26/60-66; 126/25 R, 39 BA; 362/33, 92,  
362/127, 191, 581; 99/421 H

See application file for complete search history.

(56) **References Cited**

**U.S. PATENT DOCUMENTS**

2,470,645	A	*	5/1949	Reichart	.....	99/421 H
D280,025	S	*	8/1985	Waters	.....	D26/24
D338,976	S	*	8/1993	Miley, Jr.	.....	D26/60
5,257,169	A		10/1993	Walendziak		
5,664,875	A		9/1997	Hegedus		
6,012,442	A		1/2000	Faraj		
6,073,623	A		6/2000	Maschhoff		
6,079,843	A		6/2000	Latella et al.		
6,132,055	A		10/2000	Grisamore et al.		

2001/0033484	A1	*	10/2001	Gilley	.....	362/92
2003/0111070	A1	*	6/2003	DeMars	.....	126/25 R
2004/0001334	A1	*	1/2004	Choi et al.	.....	362/127

**FOREIGN PATENT DOCUMENTS**

WO WO 99/66278 A1 12/1999

\* cited by examiner

*Primary Examiner*—Alan P. Douglas

*Assistant Examiner*—Angela J. Lee

(74) *Attorney, Agent, or Firm*—Leydig, Voit & Mayer, Ltd.

(57) **CLAIM**

The ornamental design for stove light, as shown and described.

**DESCRIPTION**

FIG. 1 is a top, right, perspective view of a stove light showing an embodiment of our new design;

FIG. 2 is a front view thereof;

FIG. 3 is a rear view thereof;

FIG. 4 is a left side view thereof;

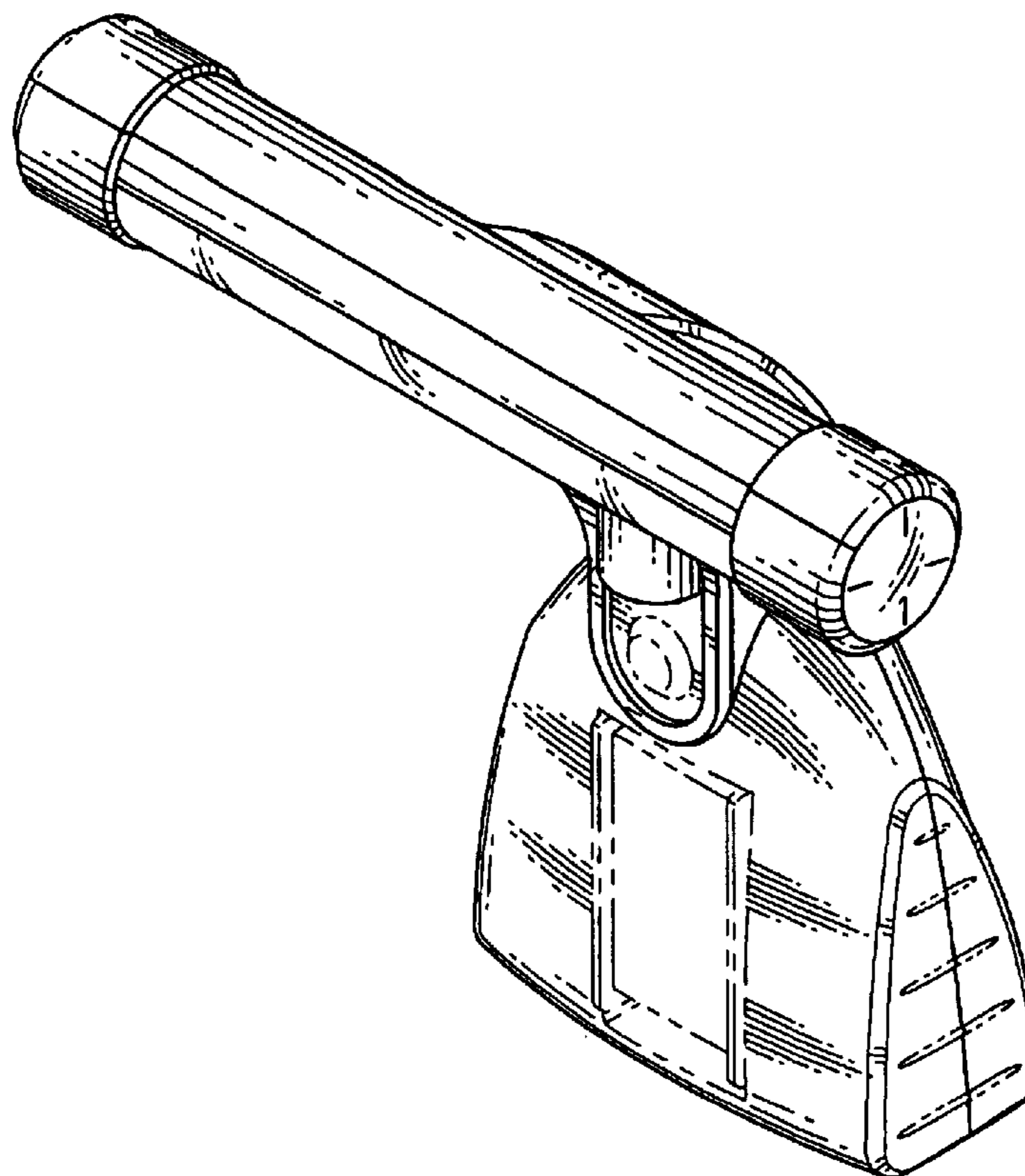
FIG. 5 is a right side view thereof;

FIG. 6 is a top view thereof; and,

FIG. 7 is a bottom view thereof.

The broken lines are for illustrative purposes only and form no part of the claimed design.

**1 Claim, 3 Drawing Sheets**



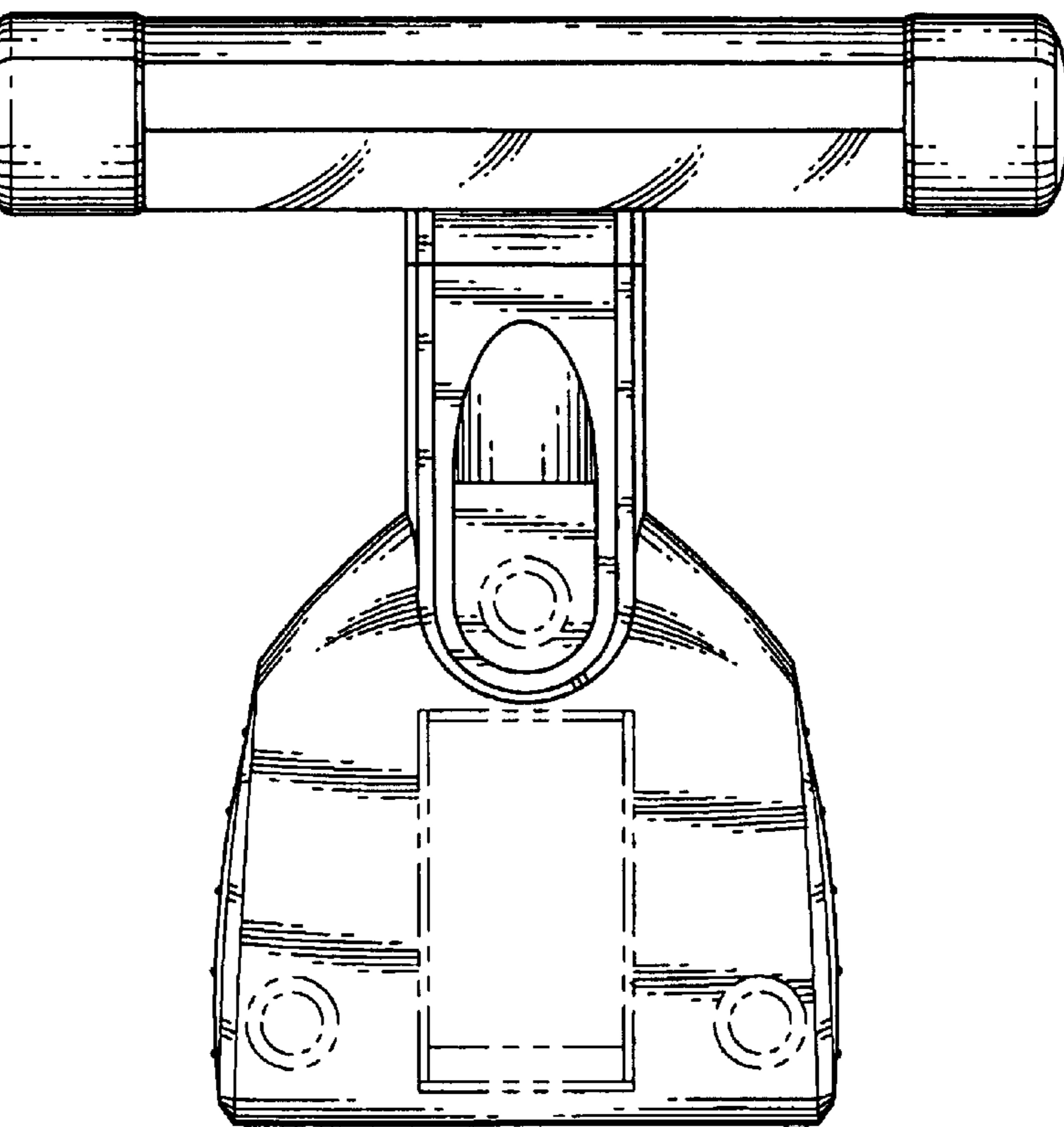
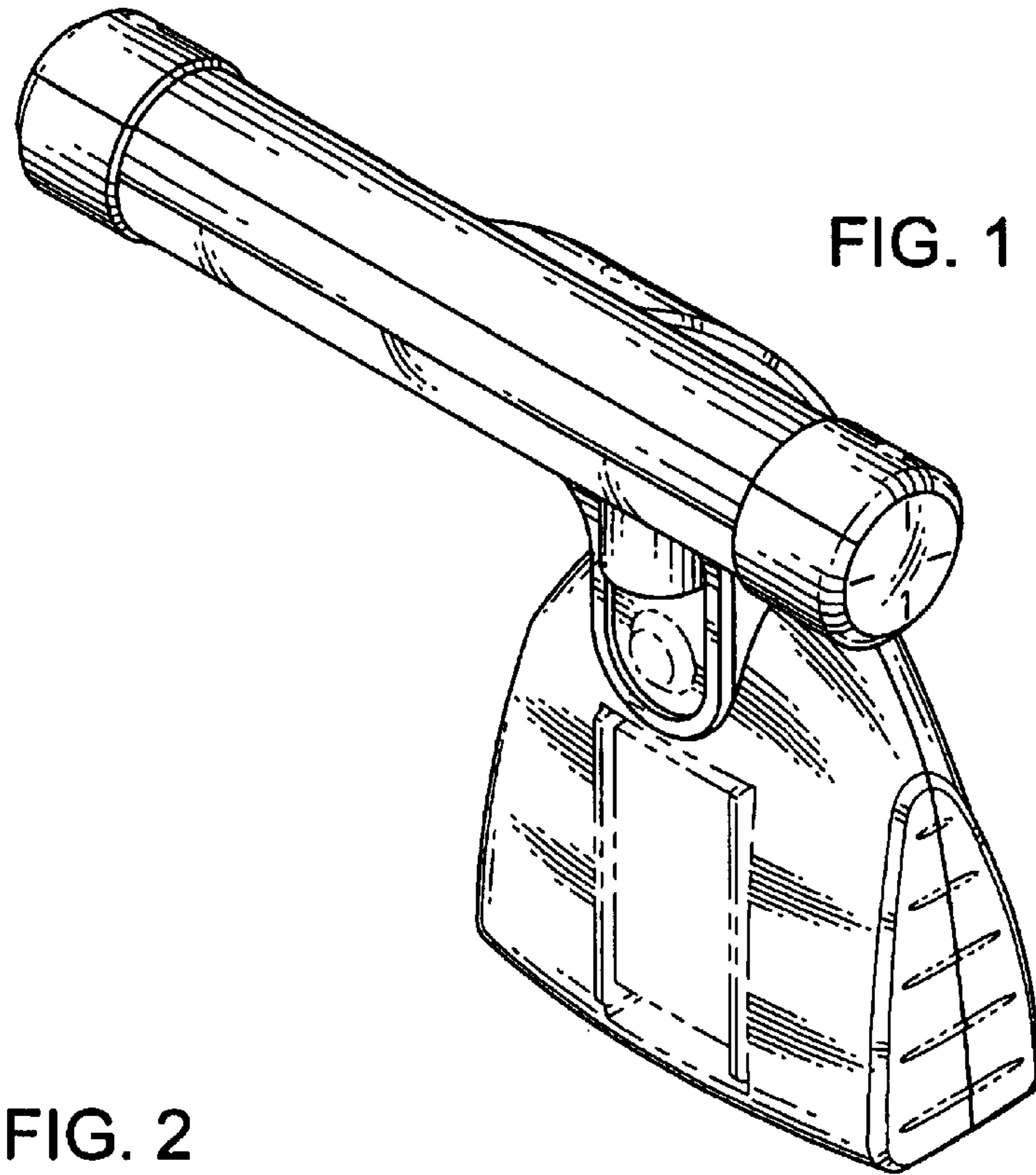


FIG. 3

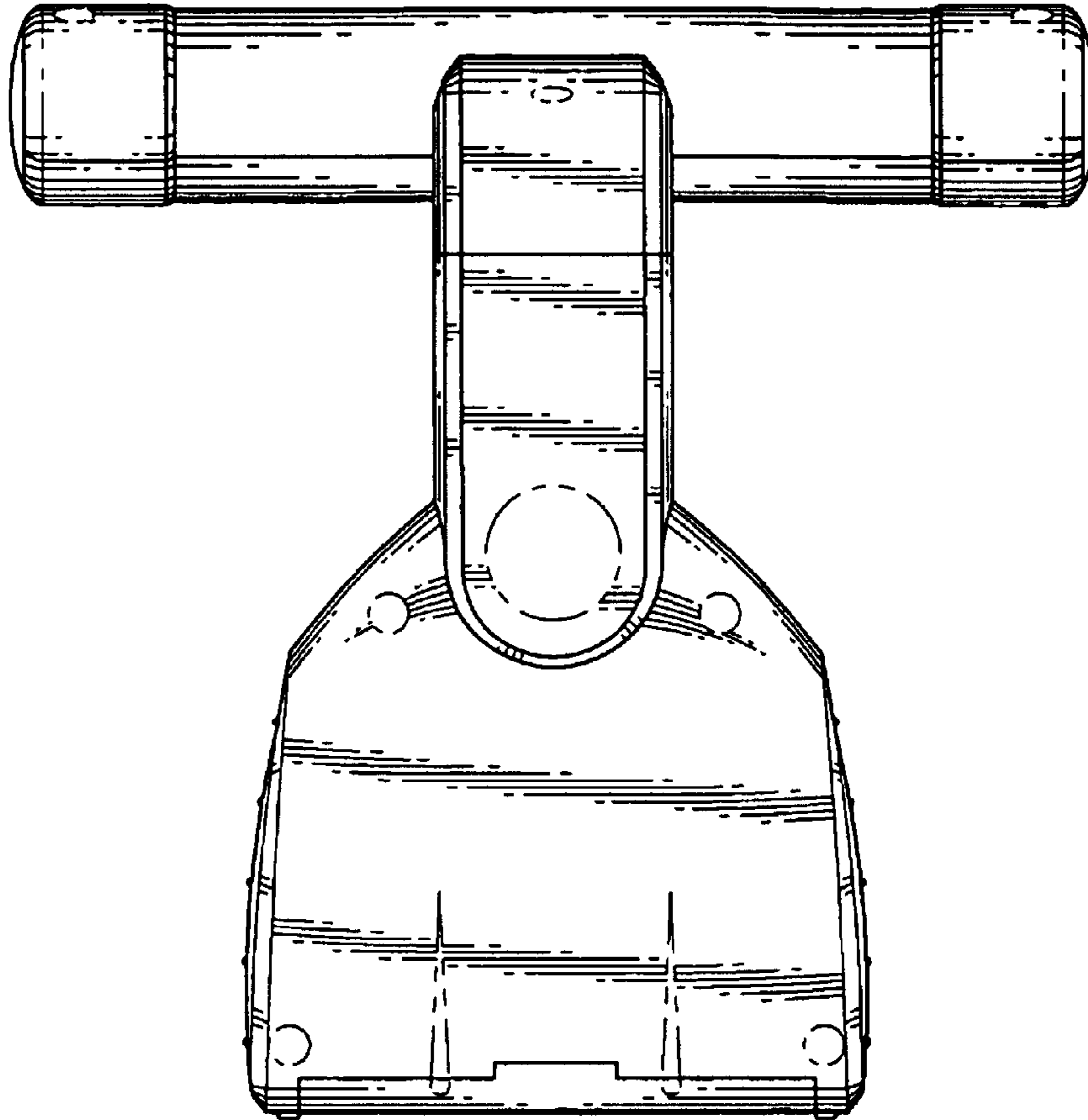


FIG. 6

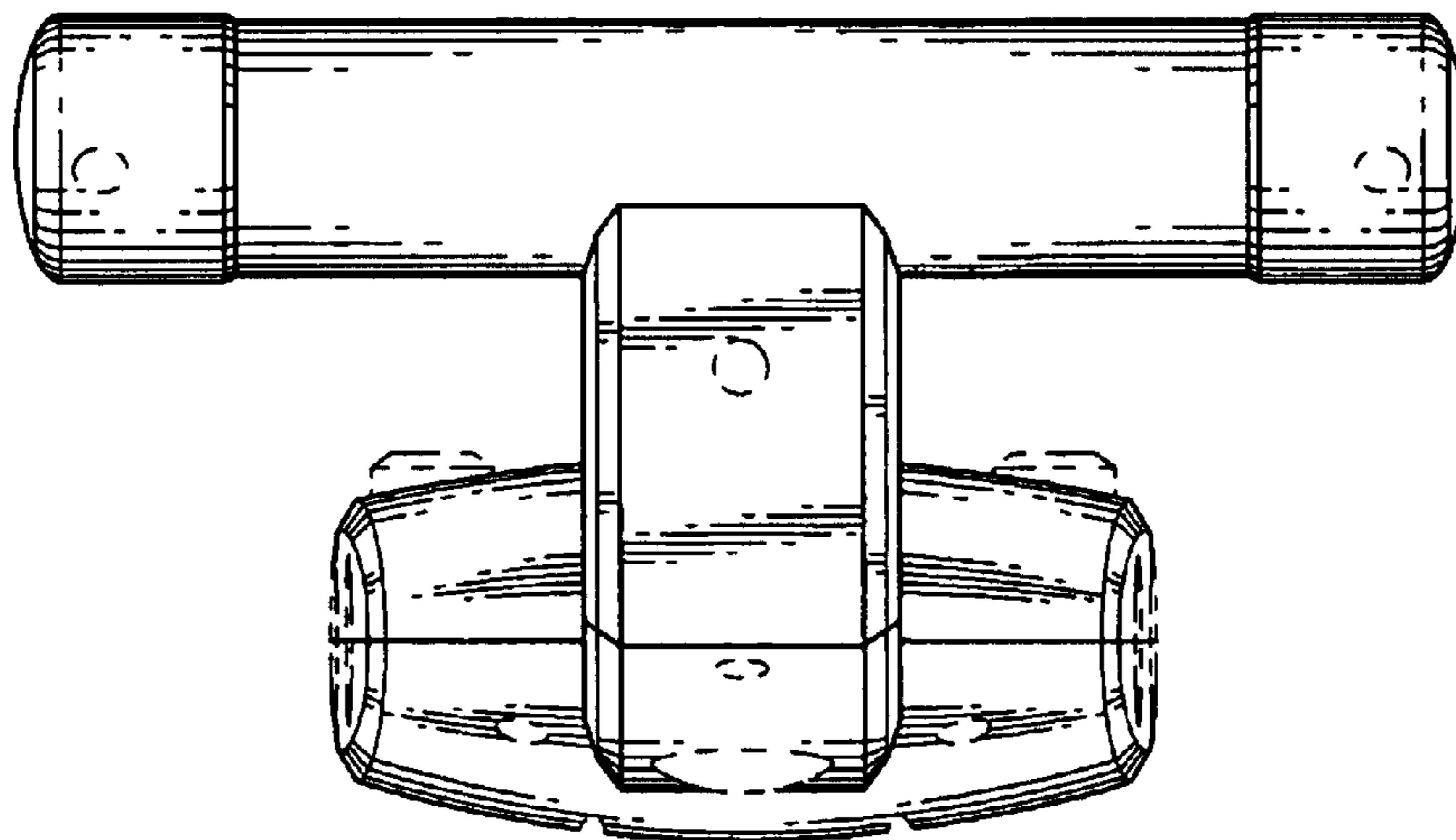


FIG. 4

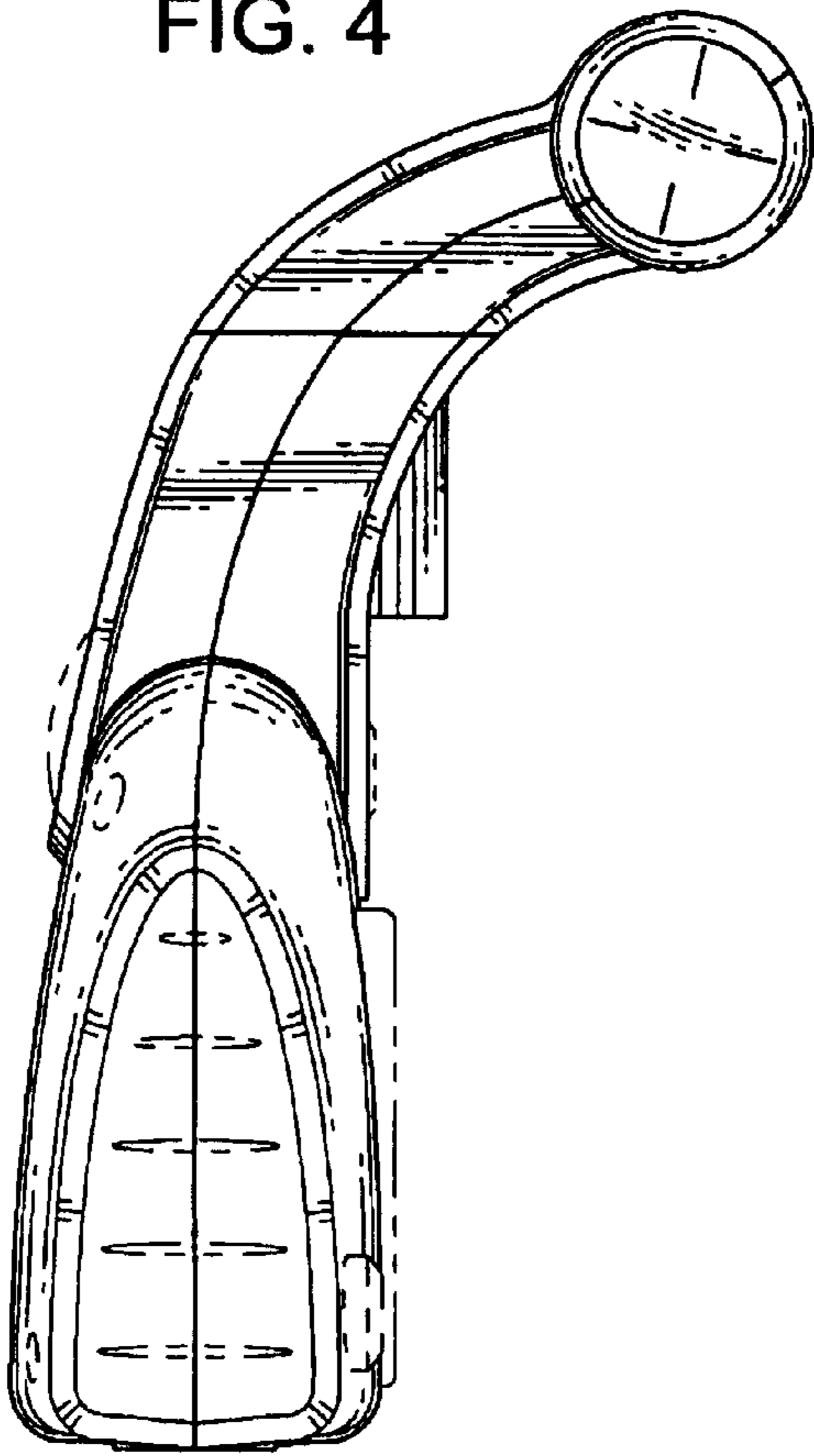


FIG. 5

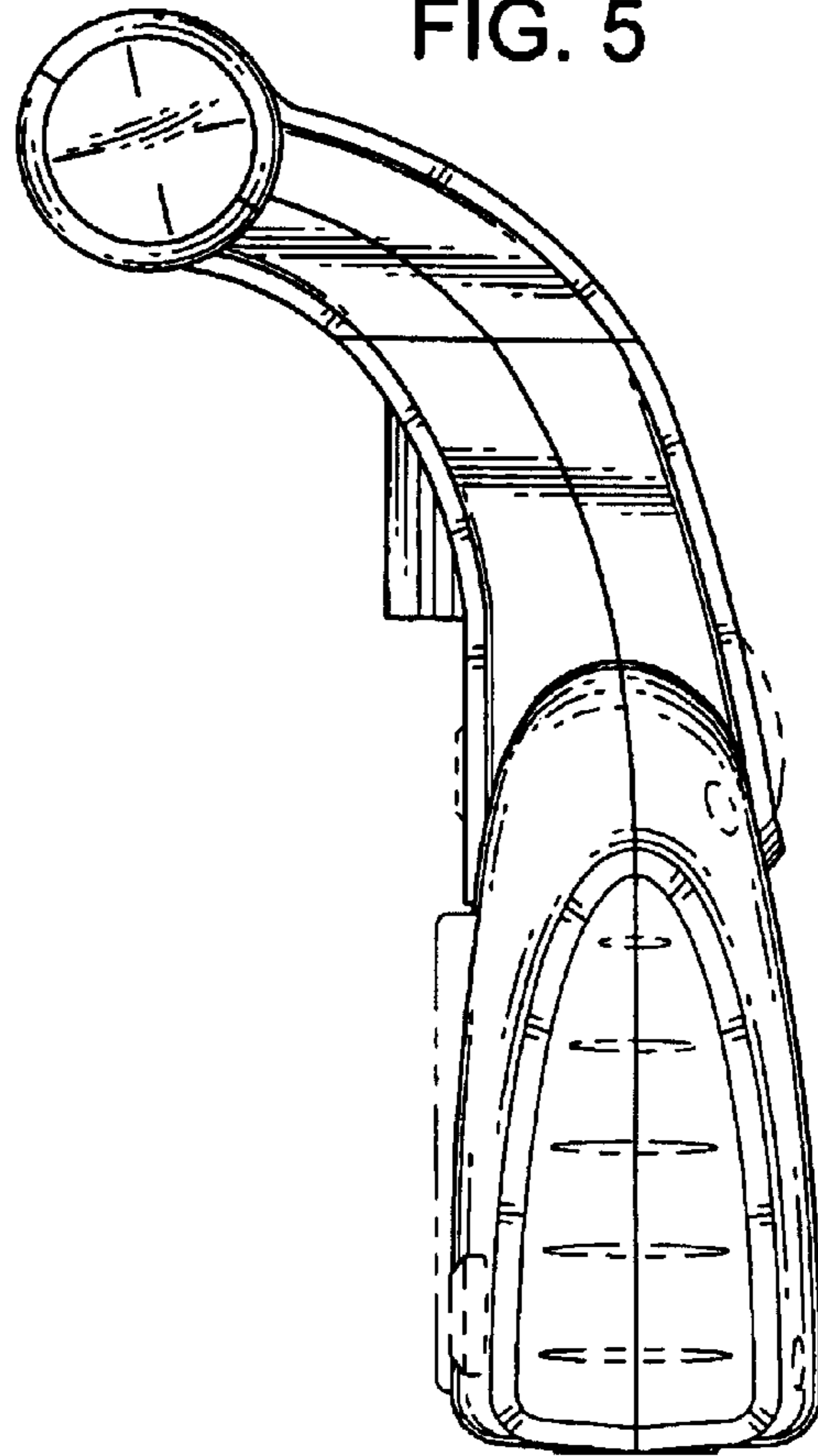


FIG. 7

