



US00D536109S

(12) **United States Design Patent**
Bailey, III et al.

(10) **Patent No.:** **US D536,109 S**

(45) **Date of Patent:** **** Jan. 30, 2007**

(54) **SOLAR CELL-POWERED, PHOTOCELL-OPERATED LCD LIGHTS**

(76) Inventors: **William A. Bailey, III**, 178 Oldewick Trail, Hoschton, GA (US) 30548; **Jody L. Bailey**, 178 Oldewick Trail, Hoschton, GA (US) 30548

(**) **Term:** **14 Years**

(21) **Appl. No.:** **29/218,085**

(22) **Filed:** **Nov. 29, 2004**

(51) **LOC (8) Cl.** **26-04**

(52) **U.S. Cl.** **D26/24**

(58) **Field of Classification Search** D26/24,
D26/25, 26, 28, 36, 37, 67, 72, 80, 93; 362/84,
362/157, 181, 183

See application file for complete search history.

(56) **References Cited**

U.S. PATENT DOCUMENTS

3,745,327	A	7/1973	Lowery et al.	
4,223,377	A	9/1980	Williams	
D291,926	S	* 9/1987	Schlepp D26/67
D309,787	S	* 8/1990	Chien D26/67
5,012,397	A	* 4/1991	Tseng 362/237
5,144,540	A	9/1992	Hayes	

5,211,470	A	5/1993	Frost et al.	
D345,430	S	* 3/1994	Ridgeway D26/25
5,410,458	A	4/1995	Bell	
D375,179	S	* 10/1996	Wisdom D26/25
5,957,564	A	9/1999	Bruce et al.	
D461,578	S	* 8/2002	Cheong D26/67
6,655,814	B1	* 12/2003	Tagawa et al. 362/183
6,729,742	B2	* 5/2004	Wismeth et al. 362/183

* cited by examiner

Primary Examiner—Alan P. Douglas

Assistant Examiner—Angela J. Lee

(74) *Attorney, Agent, or Firm*—Donald R. Schoonover

(57) **CLAIM**

We claim the ornamental design for solar cell-powered, photocell-operated LCD lights, as shown and described.

DESCRIPTION

FIG. 1 is a perspective view of solar cell-powered, photocell-operated LCD lights showing our new design;

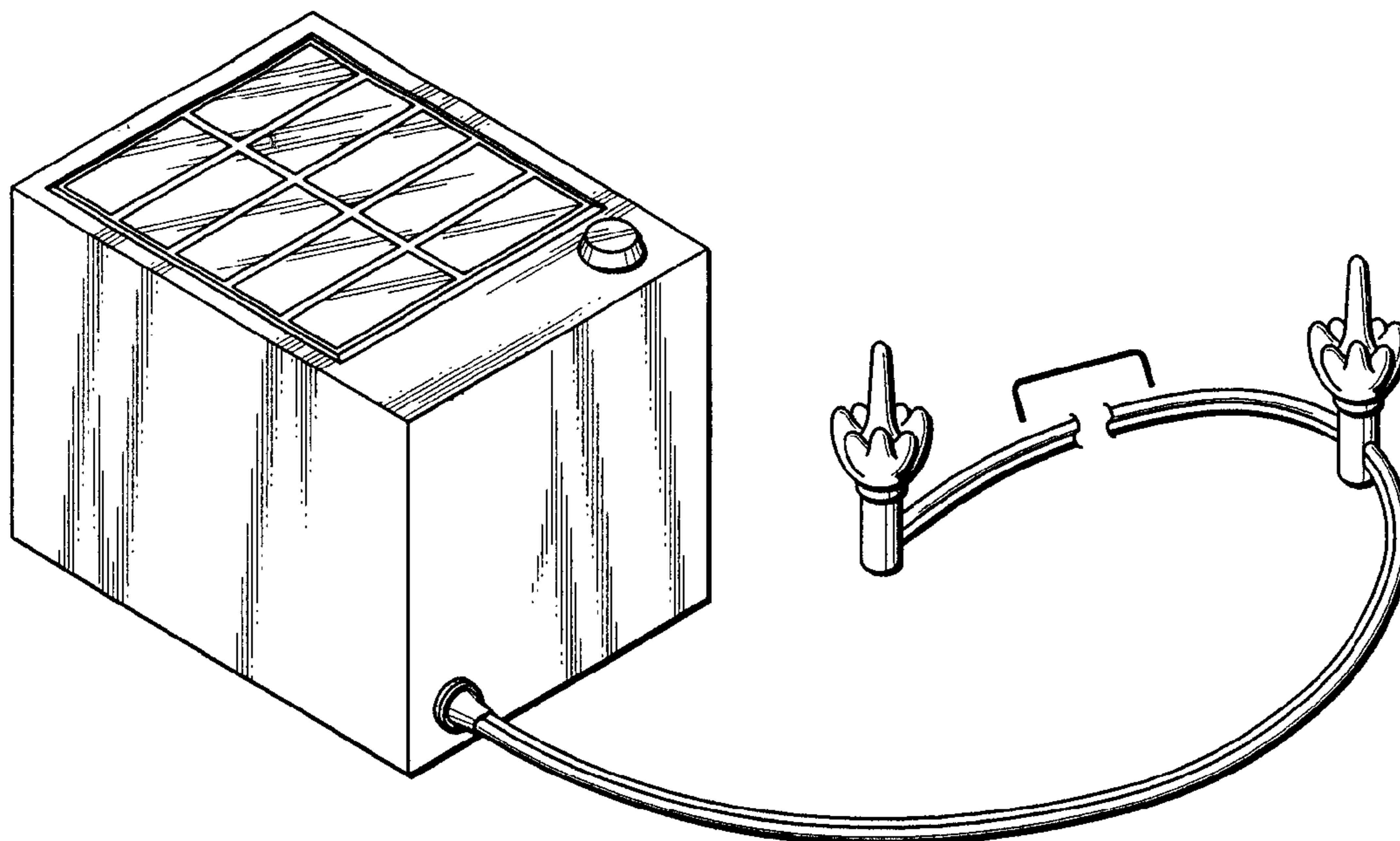
FIG. 2 is a top plan view thereof;

FIG. 3 is a side elevational view thereof, the elevational view of the opposing side being a mirror image thereof;

FIG. 4 is an end elevational view thereof; and,

FIG. 5 is an elevational view of the opposing end.

1 Claim, 3 Drawing Sheets



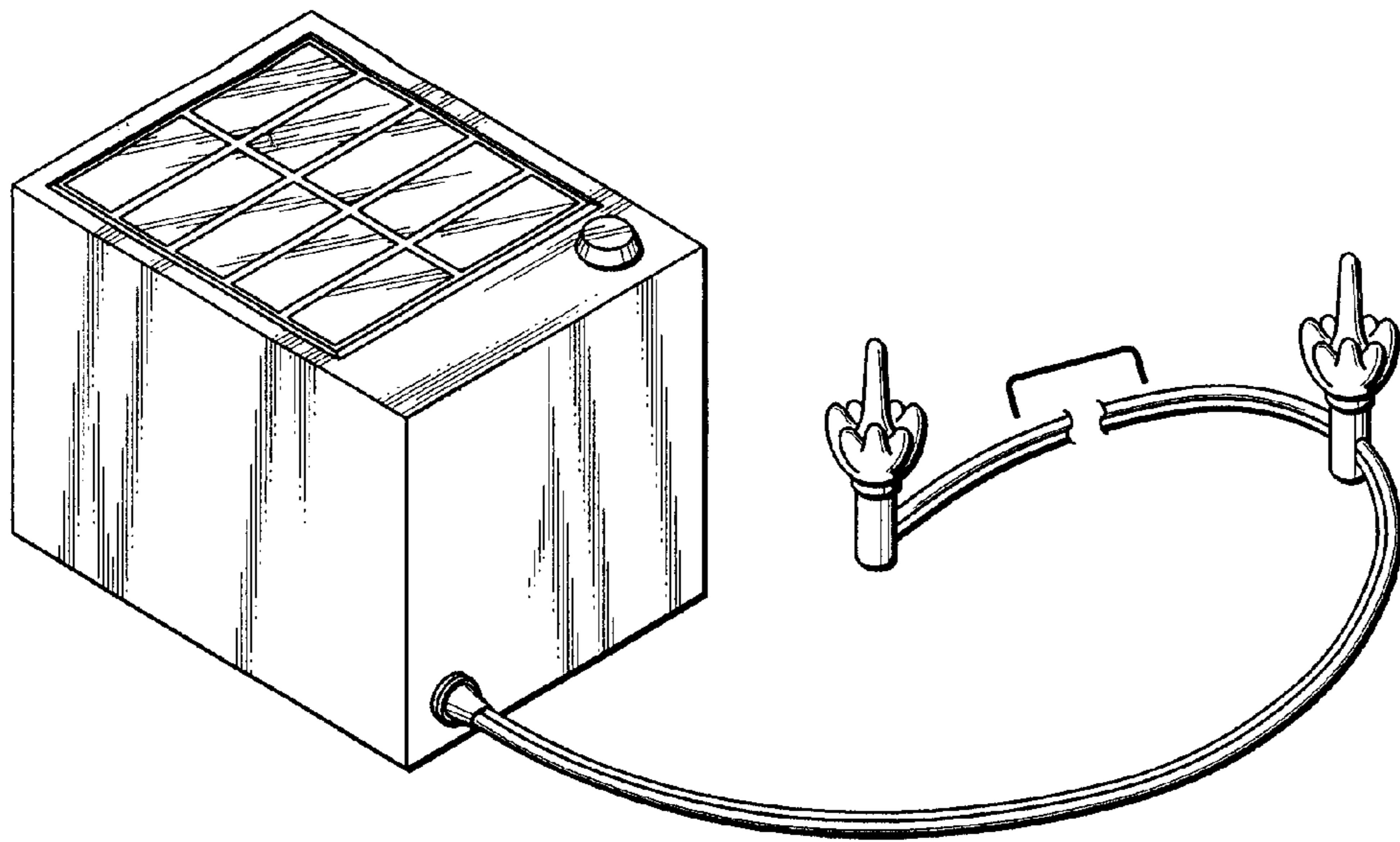


FIG. 1

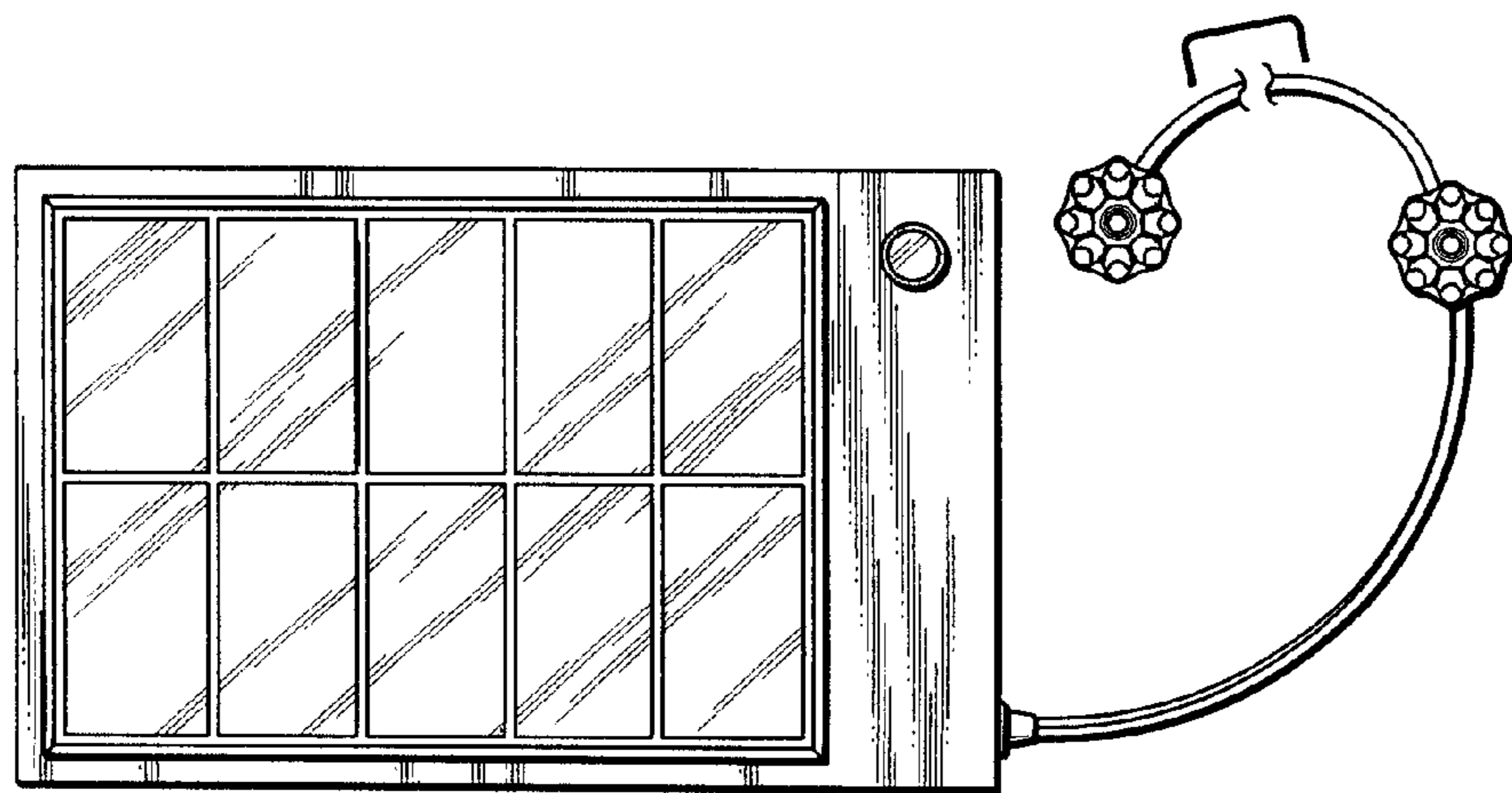


FIG. 2

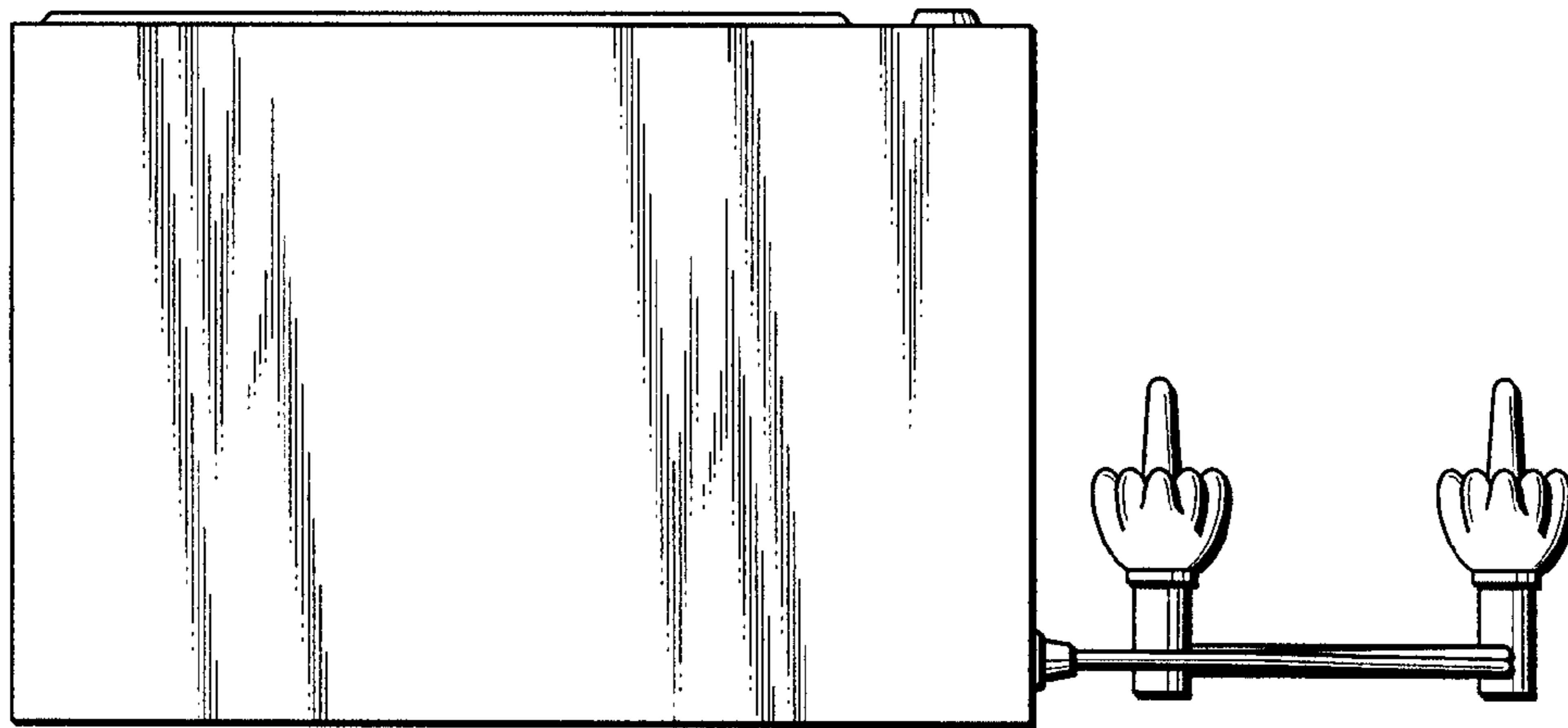


FIG. 3

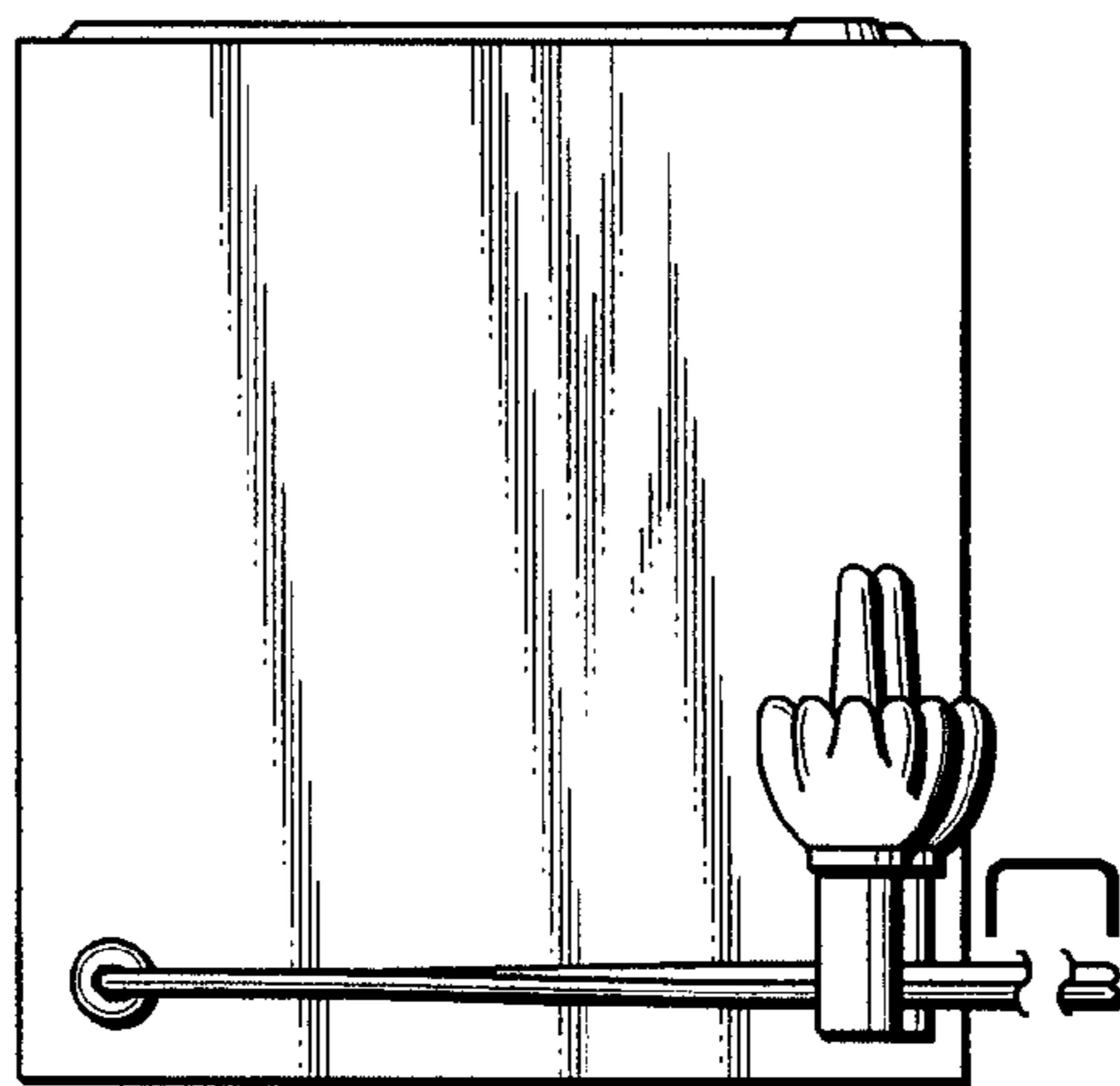


FIG. 4

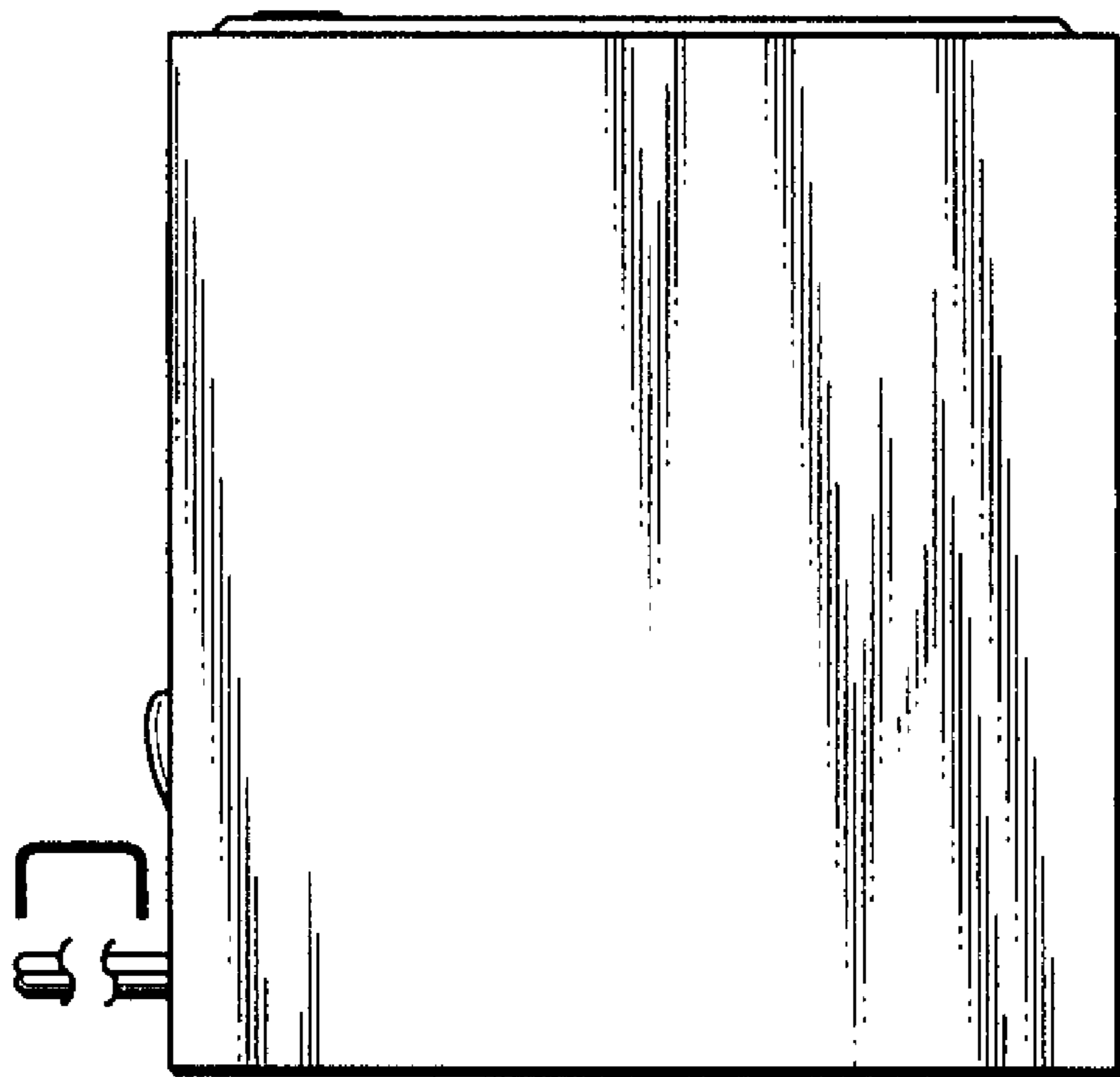


FIG. 5