



US00D536108S

(12) **United States Design Patent** (10) **Patent No.:** **US D536,108 S**
Adams et al. (45) **Date of Patent:** **** Jan. 30, 2007**

(54) **FLAME-SHAPED WICK CLIP**
(75) Inventors: **Mary Beth Adams**, Antioch, IL (US);
Chris A. Kubicek, East Troy, WI (US);
Cory J. Nelson, Racine, WI (US);
Romuald Marie, Paris (FR); **Elie Papiernik**, Paris (FR)

(73) Assignee: **S.C. Johnson & Son, Inc.**, Racine, WI (US)

(**) Term: **14 Years**

(21) Appl. No.: **29/212,973**

(22) Filed: **Sep. 10, 2004**

(51) **LOC (8) Cl.** **26-04**

(52) **U.S. Cl.** **D26/7**

(58) **Field of Classification Search** D26/6,
D26/7; 431/298, 299, 301, 302
See application file for complete search history.

(56) **References Cited**

U.S. PATENT DOCUMENTS

213,184 A 3/1879 Frick
405,786 A 6/1889 Ludde

(Continued)

FOREIGN PATENT DOCUMENTS

DE 3403604 8/1985
DE 4203644 8/1993
DE 4241292 5/1994
DE 4314122 11/1994
DE 44 25 179 1/1996
DE 195 48 958 5/1996
DE 195 08 962 9/1996
EP 0146247 6/1985
EP 1054054 11/2000
FR 2628825 3/1988
GB 1514338 6/1978
GB 2 239 942 7/1991
JP 362220594 9/1987
JP 406212189 8/1994

JP 408185710 7/1996
JP 2003-213292 7/2003
WO WO 89/06141 7/1989
WO WO 95/12783 5/1995
WO WO 96/02794 2/1996
WO WO 99/17055 4/1999
WO WO 99/45322 9/1999
WO WO 04/008026 1/2004
WO WO 04/083718 9/2004
WO WO 2004/083349 9/2004
WO WO 04/090417 10/2004

OTHER PUBLICATIONS

International Candle House catalog (1966–67); Bobeshes pp. 54–55.
Pourette Catalog 1998; p. 12.
Prices London Candlemakers; <http://www.prices-candle.co.uk/mainpage.htm>; 1 page, printed Apr. 21, 2005.
Prices London Candlemakers; <http://www.prices-candles.co.uk/catalogue/Accessories/Accessories%20Page%2008.jpg>; 1 page; printed Apr. 21, 2005.
Two (2) photo of Price’s “Coral Bay Fragranced Bathroom” product taken Jan. 1, 1999.
Stephanie Reiser Wrought Iron–“Welcome to Courting-Candle.com!” <http://www.courtingcandle.com>; 1 page printed on May 12, 2004.

Primary Examiner—Robin Webster

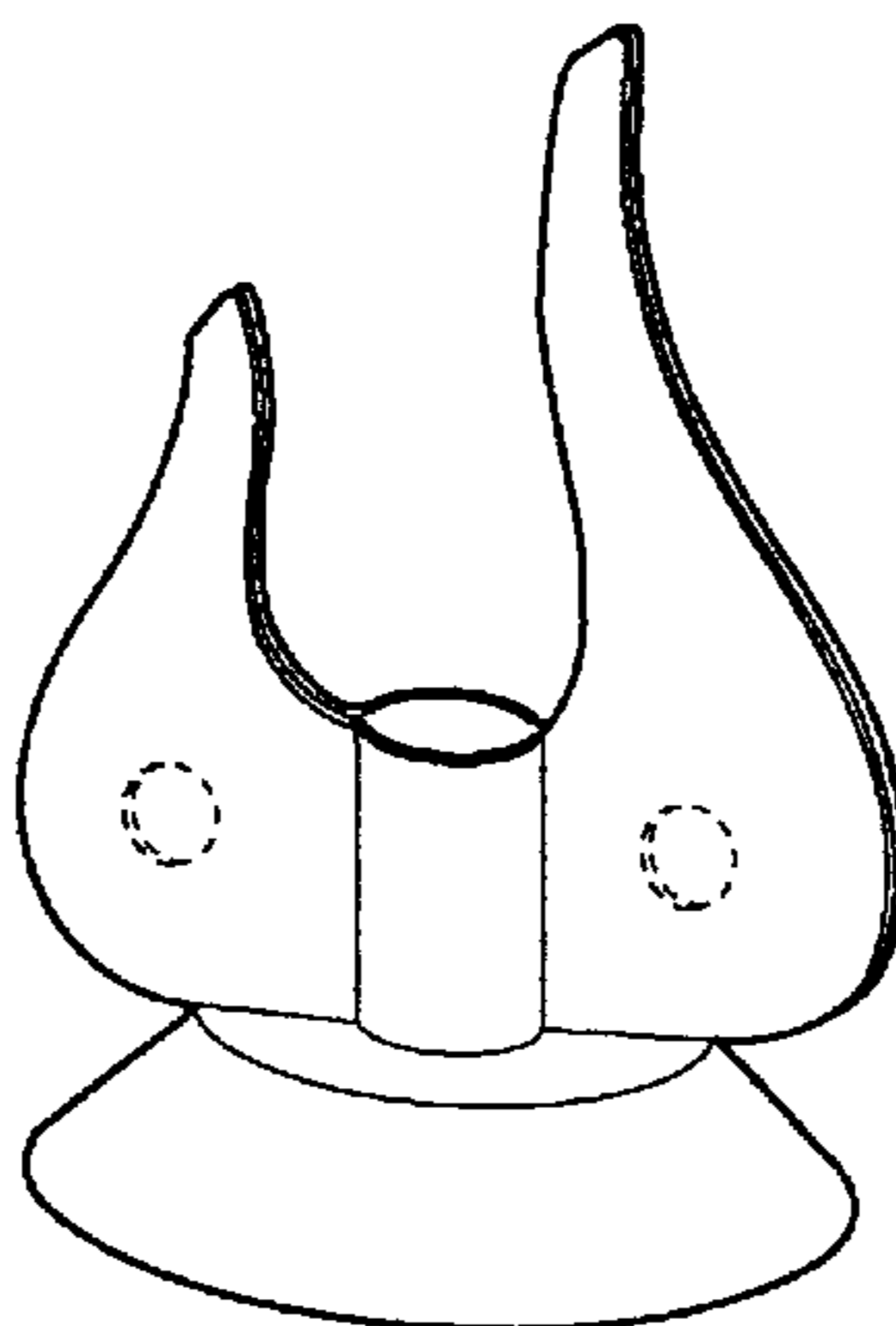
(57) **CLAIM**

The ornamental design for a flame-shaped wick clip, as shown and described.

DESCRIPTION

FIG. 1 is an isometric view of a flame-shaped wick clip according to the present invention;
FIG. 2 is a front elevational view thereof;
FIG. 3 is a first side elevational view thereof;
FIG. 4 is a second side elevational view thereof;
FIG. 5 is a plan view thereof; and,
FIG. 6 is a bottom plan view thereof.

1 Claim, 2 Drawing Sheets



US D536,108 S

U.S. PATENT DOCUMENTS					
407,051 A	7/1889	Baumer	4,381,914 A	5/1983	Ferguson
408,973 A	8/1889	Heller	4,427,366 A	1/1984	Moore
484,210 A	* 10/1892	Ludde 431/298	4,477,249 A	10/1984	Ruzek et al.
779,644 A	1/1905	Ferrier	4,524,408 A	6/1985	Minera
837,240 A	11/1906	Mulkerins	D280,443 S	9/1985	Boss
1,044,256 A	11/1912	Satter	4,551,794 A	11/1985	Sandell
D43,845 S	4/1913	Hirschfeld	4,557,687 A	12/1985	Schirneker
1,195,657 A	8/1916	Chersky	4,568,269 A	2/1986	Lin
D49,902 S	11/1916	Laberee et al.	4,568,270 A	2/1986	Marcus et al.
1,229,140 A	6/1917	Ritter	4,588,618 A	5/1986	Wolfe
1,316,624 A	9/1919	Lucas	D285,396 S	9/1986	Odate
1,320,109 A	10/1919	Wooster	D292,525 S	10/1987	Van Deelen D26/85
1,336,635 A	4/1920	Knapp	4,755,135 A	7/1988	Kwok
1,484,964 A	2/1924	Benneville	4,781,895 A	11/1988	Spector
D67,108 S	4/1925	Steeple	4,804,323 A	2/1989	Kim
1,640,734 A	8/1927	Smith	D312,507 S	11/1990	Thoreson
D75,463 S	6/1928	Bach	4,983,119 A	1/1991	Lin
D80,971 S	4/1930	Sakier	5,015,175 A	5/1991	Lee
D83,100 S	1/1931	Gisolfi	D320,266 S	9/1991	Kunze
D105,118 S	6/1937	Mackelfresh, Jr.	5,069,617 A	12/1991	Lin
D110,902 S	8/1938	Loesch	5,078,591 A	1/1992	Despres
D119,587 S	3/1940	Fuerst	5,078,945 A	1/1992	Byron
2,234,903 A	3/1941	Muench	5,086,380 A	2/1992	Hedner, Jr.
2,237,523 A	4/1941	Damon	D325,077 S	3/1992	Kearnes
2,354,343 A	5/1941	Webber et al.	5,101,328 A	3/1992	Hai
2,246,346 A	* 6/1941	Carroll 431/298	D329,942 S	10/1992	Carr
2,254,906 A	9/1941	Petrulis	5,174,645 A	12/1992	Chung
2,324,753 A	7/1943	Alexiade	5,193,995 A	3/1993	Shirneker
2,393,767 A	1/1946	Gould	5,338,187 A	8/1994	Elharar
2,462,440 A	2/1949	Tierney	5,363,590 A	11/1994	Lee
2,494,995 A	1/1950	Gardner	D356,472 S	3/1995	Jaworski
2,713,256 A	7/1955	Oesterle	5,425,633 A	6/1995	Cole
2,758,460 A	* 8/1956	Ciano 431/298	D360,461 S	7/1995	Gillespie
2,775,006 A	12/1956	Kranc	D355,266 S	2/1996	Caplette et al.
2,809,512 A	* 10/1957	Hartnett 431/294	D369,221 S	4/1996	Linderman
RE24,423 E	2/1958	Oesterle et al.	D369,871 S	5/1996	Lui
3,121,316 A	2/1964	Wilson	D371,212 S	6/1996	Hardy et al. D26/9
D206,946 S	2/1967	Knodt	D376,002 S	11/1996	Upton
D208,064 S	7/1967	Quistgaard et al. D48/2	D377,402 S	1/1997	Perkins
D208,097 S	7/1967	Henn D44/15	D383,555 S	9/1997	Hardy
3,565,281 A	2/1971	Collie 220/69	D383,944 S	9/1997	Lillelund et al. D7/558
D226,240 S	1/1973	Twedt D73/1 B	5,690,484 A	11/1997	Leonard et al.
3,730,674 A	5/1973	Gross	D390,676 S	2/1998	Hollington D26/23
3,741,711 A	6/1973	Bryant	D391,119 S	2/1998	Rapaz D7/601
3,749,904 A	7/1973	Graff	D393,910 S	4/1998	Chambers et al.
3,762,857 A	10/1973	Andeweg	D394,513 S	5/1998	Davis D26/6
D229,852 S	1/1974	Lindblad	5,807,096 A	9/1998	Shin et al.
D236,064 S	7/1975	Balbo D7/7	D399,298 S	10/1998	Whitehead
3,898,039 A	8/1975	Lin	5,840,246 A	11/1998	Hammons et al.
3,910,753 A	10/1975	Lee	5,842,850 A	12/1998	Pappas
3,932,113 A	1/1976	Thrush 431/297	5,843,194 A	12/1998	Spaulding
3,994,502 A	11/1976	Lombardi	5,871,553 A	2/1999	Spaulding
4,013,397 A	3/1977	Neugart	D410,756 S	6/1999	Kleinberg
4,019,856 A	* 4/1977	Lacroix 431/298	5,921,767 A	7/1999	Song
D247,635 S	3/1978	Maxwell D48/2	5,927,959 A	7/1999	Johnson 431/125
D248,499 S	7/1978	Ulrich et al.	5,951,278 A	9/1999	Young et al.
D248,500 S	7/1978	Ulrich et al.	5,955,034 A	9/1999	Zaunbrecher et al.
4,102,634 A	* 7/1978	Crisp 431/298	5,955,958 A	9/1999	Lu
D248,787 S	8/1978	Ulrich et al.	D415,295 S	10/1999	Kochis et al.
D248,788 S	8/1978	Ulrich et al.	5,961,967 A	10/1999	Powell et al.
D248,789 S	8/1978	Ulrich et al.	D416,099 S	11/1999	Hardy
D253,432 S	11/1979	Van Koert D48/2	D416,341 S	11/1999	Allen
D253,732 S	12/1979	Van Koert D48/2	5,980,241 A	11/1999	Schirneker
4,185,953 A	1/1980	Schirneker	6,019,804 A	2/2000	Requejo et al.
4,206,500 A	6/1980	Neil	6,033,209 A	3/2000	Shin et al.
4,206,560 A	6/1980	Sefried, II	D422,180 S	4/2000	Sundberg D7/545
4,224,017 A	9/1980	Kayne	6,050,812 A	4/2000	Chuang
D257,641 S	12/1980	Taylor	D425,220 S	5/2000	Klett et al. D26/7
D264,385 S	5/1982	Meyer	D425,636 S	5/2000	Freeman D26/6
4,332,548 A	6/1982	Linton et al.	6,059,564 A	5/2000	Morris
			6,062,847 A	5/2000	Pappas

US D536,108 S

6,068,472 A	5/2000	Freeman et al.	6,554,448 B2	4/2003	Carpenter et al.
D426,902 S	6/2000	Hardy et al.	6,568,934 B1	5/2003	Butler
6,074,199 A	6/2000	Song	6,575,613 B2	6/2003	Brown et al.
6,079,975 A	6/2000	Conover	6,579,089 B1	6/2003	Iu
6,099,877 A	8/2000	Schuppan	6,592,637 B2	7/2003	McGee et al.
D430,943 S	9/2000	Zutler D26/9	6,595,771 B2	7/2003	Chu
D433,168 S	10/2000	Cousins D26/9	D478,180 S	8/2003	Boss
6,129,771 A	10/2000	Ficke et al.	6,616,308 B2	9/2003	Jensen et al.
6,152,728 A	11/2000	Griffel	D481,143 S	10/2003	McMinn
D435,100 S	12/2000	Pesu et al.	D481,473 S	10/2003	Walsh
D436,415 S	1/2001	Hardy	6,630,110 B2	10/2003	Urfig
D436,416 S	1/2001	Iu	6,648,631 B2	11/2003	Wright et al.
6,214,063 B1	4/2001	DeStefano et al.	D485,624 S	1/2004	Kitamura D26/9
D443,080 S	5/2001	Klett et al.	6,688,880 B1	2/2004	Pangle 431/289
D443,081 S	5/2001	Klett et al.	6,695,611 B2	2/2004	Lee 431/293
D443,082 S	5/2001	Klett et al.	D487,687 S	3/2004	Shields, Jr. D8/71
D443,101 S	5/2001	Williamson D26/114	6,730,137 B2	5/2004	Pesu et al.
6,231,336 B1	5/2001	Chen 431/291	6,733,279 B2	5/2004	Thigpen et al.
6,241,362 B1	6/2001	Morrison	D491,288 S	6/2004	Young D26/9
6,241,513 B1	6/2001	Jeneral 431/291	D493,548 S	7/2004	Goldman
D445,030 S	7/2001	Croft et al. D9/502	D495,437 S	8/2004	Barbera
D445,337 S	7/2001	Croft et al. D9/504	D495,438 S	8/2004	Barbera et al.
6,267,584 B1	7/2001	Zou	6,709,382 B1	8/2004	Furner et al.
6,270,339 B1	8/2001	Zou	6,769,905 B2	8/2004	Gray et al.
6,273,710 B1	8/2001	Zou	6,780,382 B2	8/2004	Furner
6,276,925 B1	8/2001	Varga	6,802,707 B2	8/2004	Furner
D447,418 S	9/2001	Bezek et al. D9/504	D496,474 S	9/2004	Murdick
6,290,489 B1	9/2001	Seidler	D497,680 S	10/2004	McMinn
D448,867 S	10/2001	Manocheo et al.	6,808,388 B2	10/2004	Lee
6,296,477 B1	10/2001	Lin	6,849,240 B2	2/2005	Nakatsu et al.
6,299,435 B1	10/2001	Freeman et al.	D508,291 S	8/2005	Janssen
D450,395 S	11/2001	Bellenger D26/11	6,923,639 B2	8/2005	Pesu et al.
D450,865 S	11/2001	Bellenger et al.	2001/0031438 A1	10/2001	Hannington et al.
6,361,311 B1	3/2002	Smith	2002/0066789 A1	6/2002	Yen
6,631,311 B2	3/2002	Smith	2002/0068009 A1	6/2002	Laudamiel-Pellet
D455,486 S	4/2002	Makino D23/366	2002/0068010 A1	6/2002	Laudamiel-Pellet
D455,846 S	4/2002	Araujo	2002/0093834 A1	7/2002	Yu
D456,536 S	4/2002	Araujo	2002/0102187 A1	8/2002	Bellenger et al.
D456,539 S	4/2002	Leeds D26/6	2002/0119413 A1	8/2002	Cheng
6,371,756 B1	4/2002	Toohey	2002/0127507 A1	9/2002	Long
D459,498 S	6/2002	Araujo D26/6	2003/0064336 A1	4/2003	Welch et al. 431/288
6,398,544 B2	6/2002	Wright et al.	2003/0134246 A1	7/2003	Gray et al.
D474,854 S	7/2002	Lam	2003/0162142 A1	8/2003	Bennetts et al.
D461,916 S	8/2002	Araujo D26/6	2003/0175148 A1	9/2003	Kvietok
D462,132 S	8/2002	Papai D26/23	2004/0007787 A1	1/2004	Kvietok
6,428,311 B1	8/2002	Bernardo	2004/0009103 A1	1/2004	Westring
6,439,471 B2	8/2002	Ehrlich et al.	2004/0009447 A1	1/2004	Decker
D462,793 S	9/2002	Freeman et al. D26/9	2004/0016818 A1	1/2004	Murdell
6,450,802 B1	9/2002	Steck	2004/0028551 A1	2/2004	Kvietok
6,454,561 B1	9/2002	Colthar et al.	2004/0029061 A1	2/2004	Dibnah et al.
D464,745 S	10/2002	Mangini et al. D26/9	2004/0033171 A1	2/2004	Kvietok
6,468,071 B2	10/2002	Zoy	2004/0033463 A1	2/2004	Pesu et al. 431/289
D465,587 S	11/2002	Papai D26/23	2004/0128879 A1	7/2004	Lu
D466,236 S	11/2002	Papai D26/23	2004/0160764 A1	8/2004	Lee
6,488,494 B2	12/2002	Lee	2004/0223871 A1	11/2004	Woo
6,491,516 B1	12/2002	Tal et al.	2004/0223943 A1	11/2004	Woo
D469,550 S	1/2003	Moeller	2004/0229180 A1	11/2004	Furner
D469,893 S	2/2003	Shen	2004/0241053 A1	12/2004	Thompson
6,520,770 B2	2/2003	Zou	2004/0265164 A1	12/2004	Woo
D471,299 S	3/2003	Papai D26/23	2005/0019238 A1	1/2005	Hart et al.
6,531,063 B1	3/2003	Rose	2005/0037306 A1	2/2005	Nakatsu
6,537,063 B1	3/2003	Pecoskie	2005/0079463 A1	4/2005	Yu
6,543,268 B2	4/2003	Wright et al.			
6,544,302 B2	4/2003	Berger et al.			
6,551,365 B2	4/2003	Berger et al.			

* cited by examiner

FIG. 1

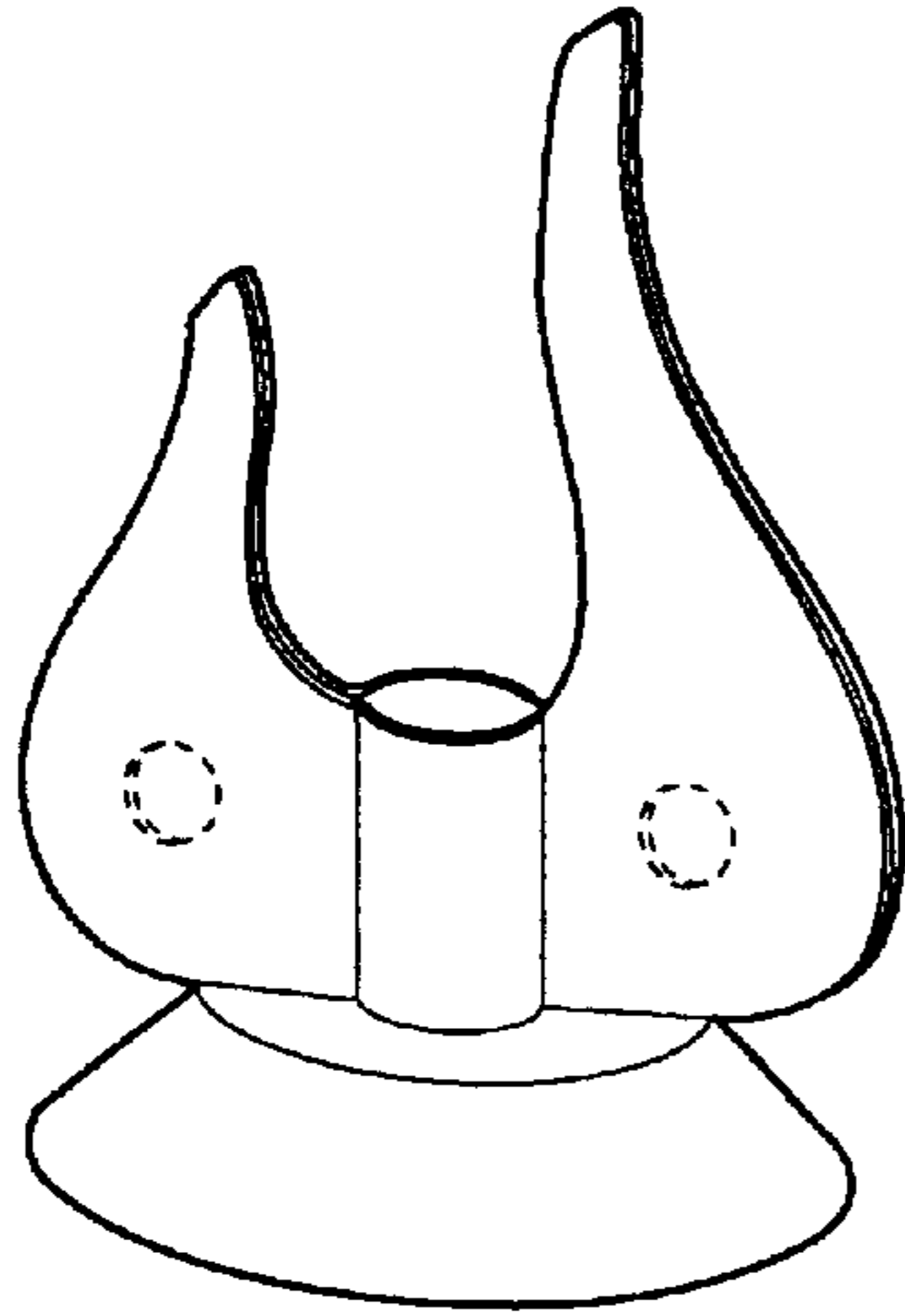


FIG. 2

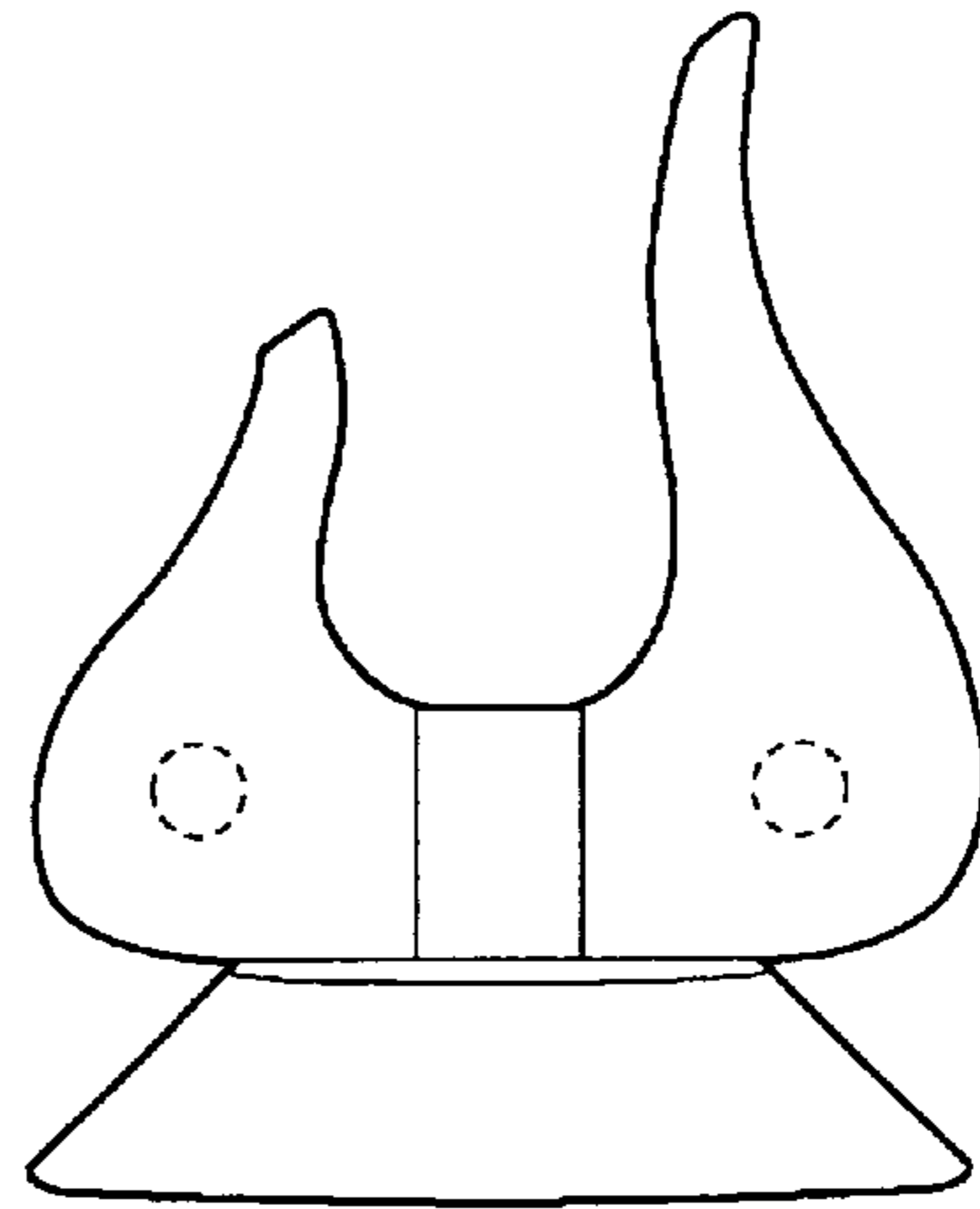


FIG. 3

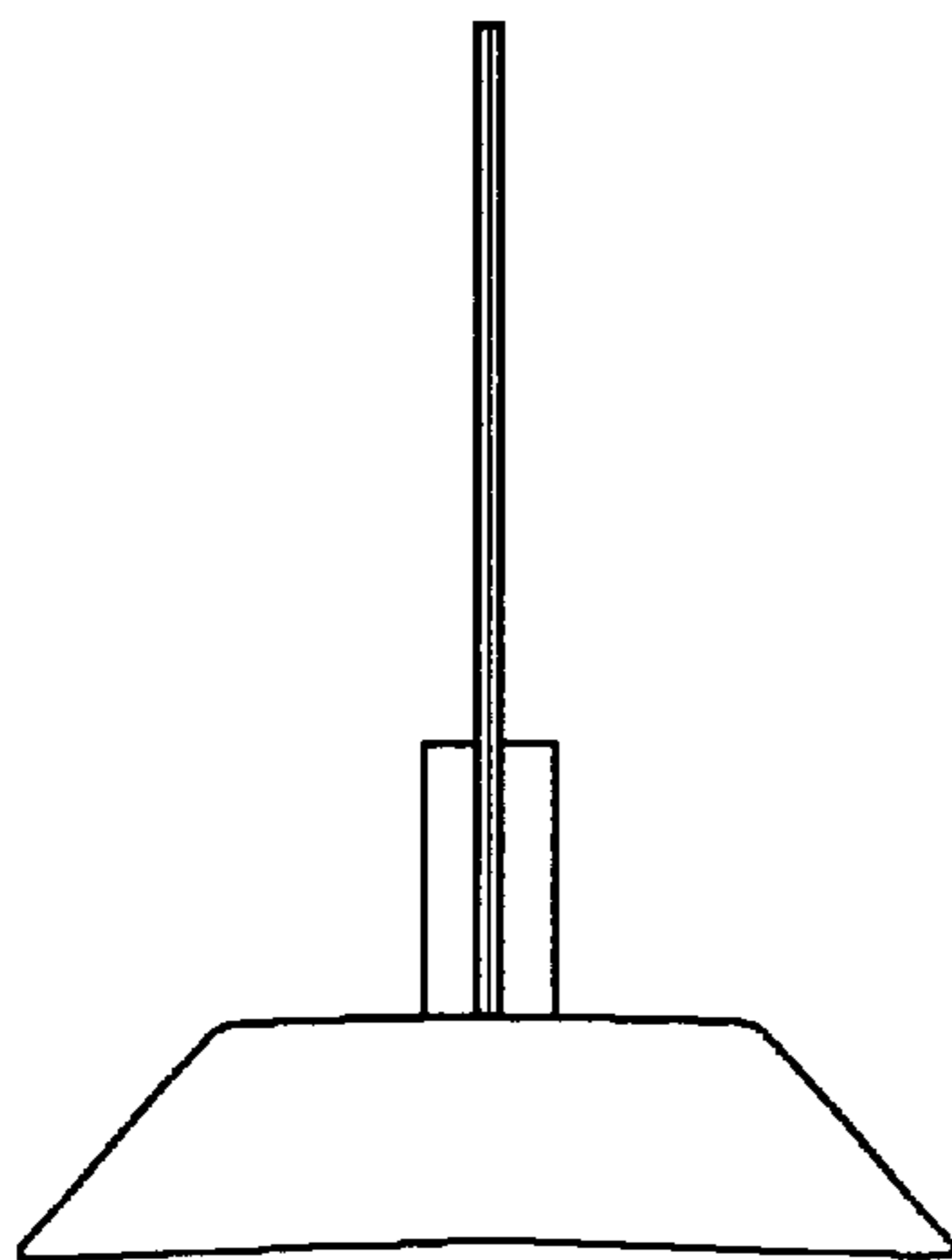


FIG. 4

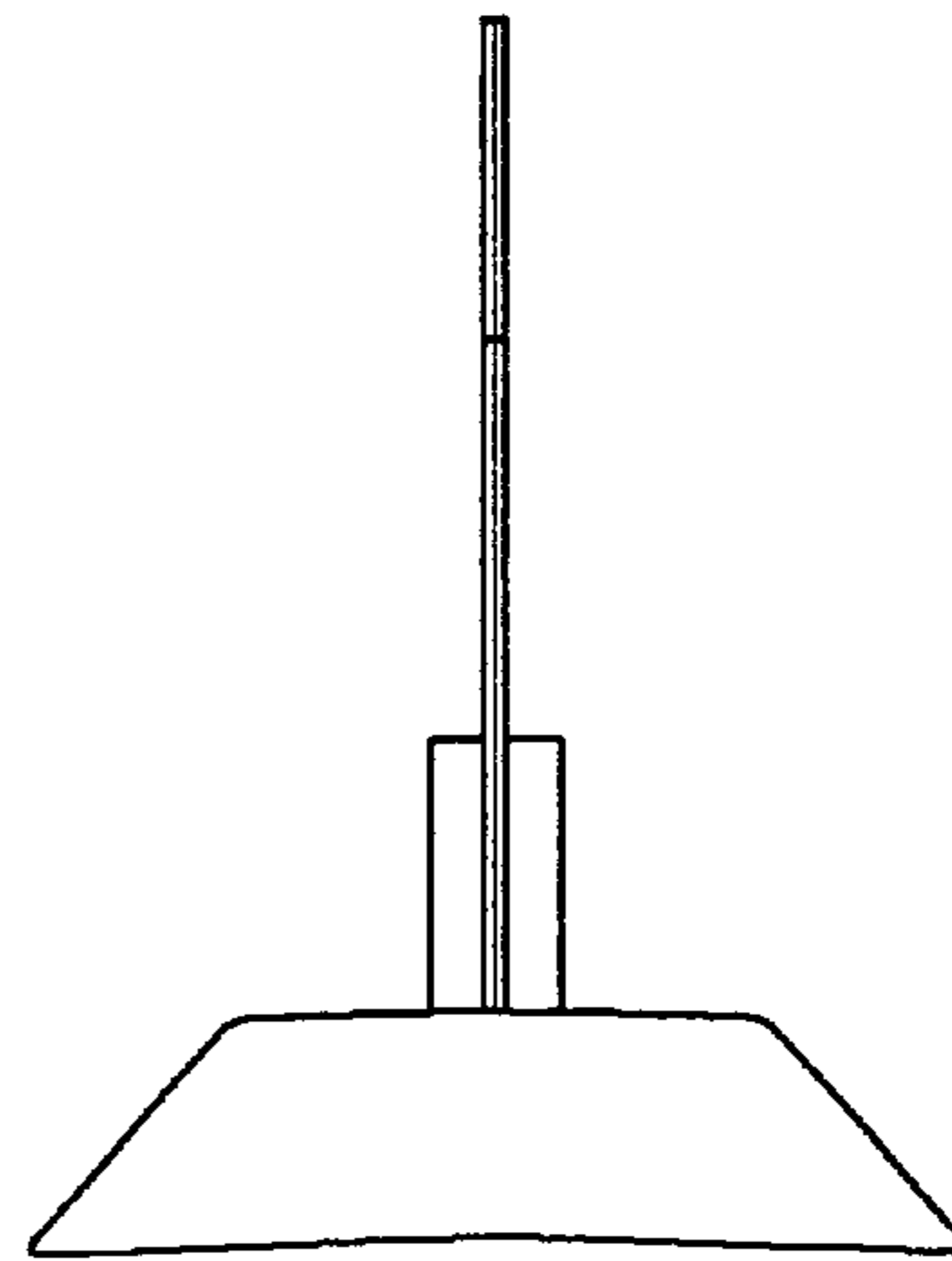


FIG. 5

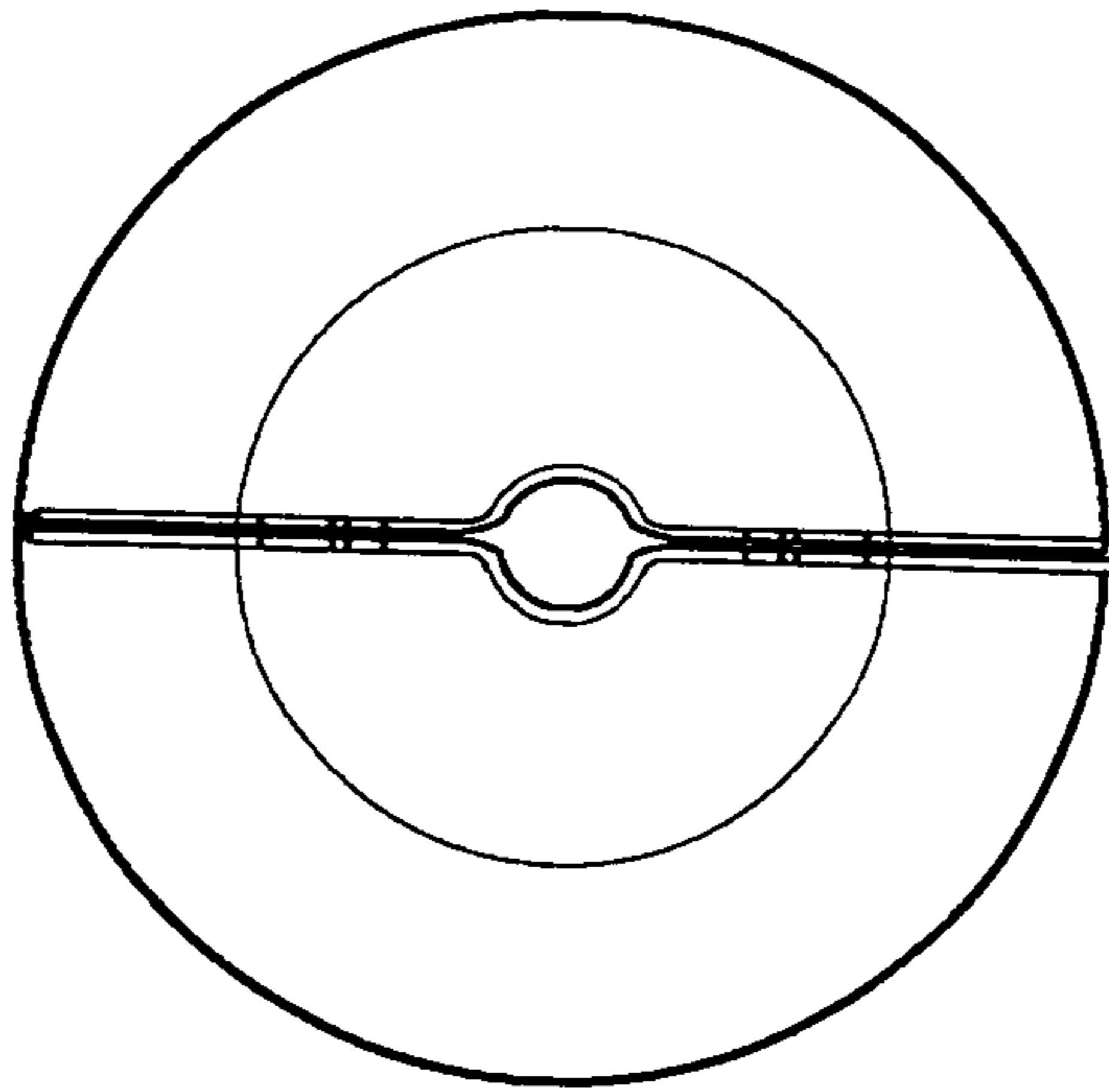
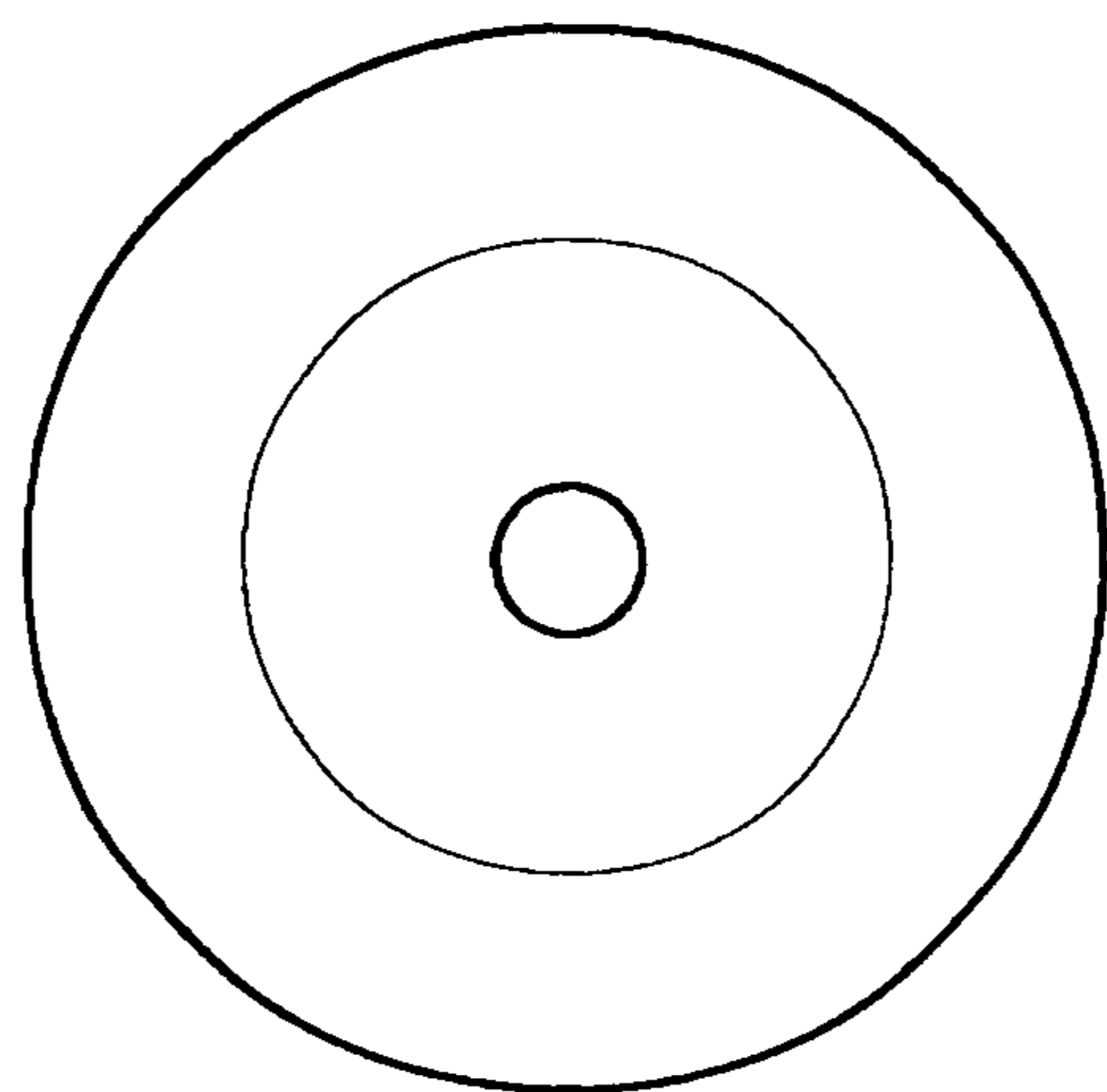


FIG. 6



UNITED STATES PATENT AND TRADEMARK OFFICE
CERTIFICATE OF CORRECTION

PATENT NO. : Des. 536,108 S
APPLICATION NO. : 29/212973
DATED : January 30, 2007
INVENTOR(S) : Mary Beth Adams et al.

Page 1 of 1

It is certified that error appears in the above-identified patent and that said Letters Patent is hereby corrected as shown below:

Title page, under item [57]

Description: line 6, replace “; and,” with --.--

Description: line 7, delete “FIG. 6 is a bottom plan view thereof.”

Drawings: delete “FIG. 6” and drawing

Signed and Sealed this

Nineteenth Day of August, 2008

A handwritten signature in black ink that reads "Jon W. Dudas". The signature is written in a cursive style with a large, stylized initial 'J'.

JON W. DUDAS

Director of the United States Patent and Trademark Office