

US00D536105S

(12) **United States Design Patent**
Cochrane

(10) **Patent No.:** **US D536,105 S**

(45) **Date of Patent:** **** Jan. 30, 2007**

(54) **BARRIER WIRE**

(75) Inventor: **Richard Bruce Cochrane**, Kempton Park (ZA)

(73) Assignee: **Cochrane Steel Products (Pty) Ltd.** (ZA)

(**) Term: **14 Years**

(21) Appl. No.: **29/233,636**

(22) Filed: **Jul. 7, 2005**

(51) **LOC (8) Cl.** **25-01**

(52) **U.S. Cl.** **D25/121**

(58) **Field of Classification Search** 256/2, 256/7, 19, 22, 33, 59, 65.01, 65.02; 52/300; D25/38, 126, 39, 42, 44, 45, 46, 135, 121
See application file for complete search history.

(56) **References Cited**

U.S. PATENT DOCUMENTS

917,617 A * 4/1909 Lachman 256/45
D260,039 S * 7/1981 de Ruiter D25/121

4,602,764 A * 7/1986 Cacicedo 256/11
4,723,760 A * 2/1988 O'Sullivan 256/22
5,039,066 A * 8/1991 Stacey 256/13.1
5,240,230 A * 8/1993 Dougherty 256/31

* cited by examiner

Primary Examiner—Doris Clark

(74) *Attorney, Agent, or Firm*—Keusey, Tutunjian & Bitetto, P.C.

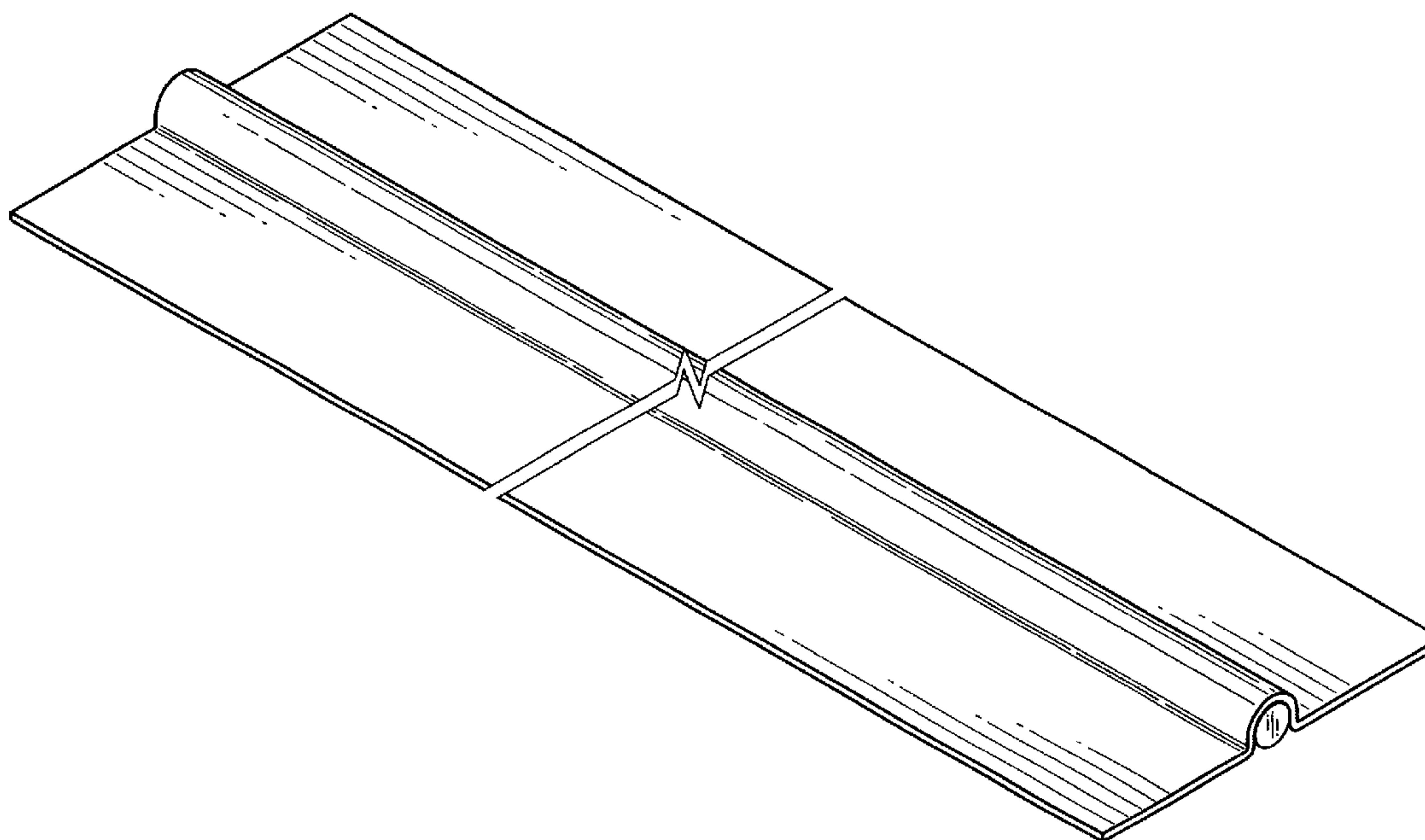
(57) **CLAIM**

The ornamental design for barrier wire, as shown and described.

DESCRIPTION

FIG. 1 is a top perspective view of a barrier wire, according to the design, which is of variable length;
FIG. 2 is a top plan view;
FIG. 3 is a bottom plan view;
FIG. 4 is a view from one side, a view from an opposing side being the same; and,
FIG. 5 is a view from one side, a view from an opposing end being the same.

1 Claim, 3 Drawing Sheets



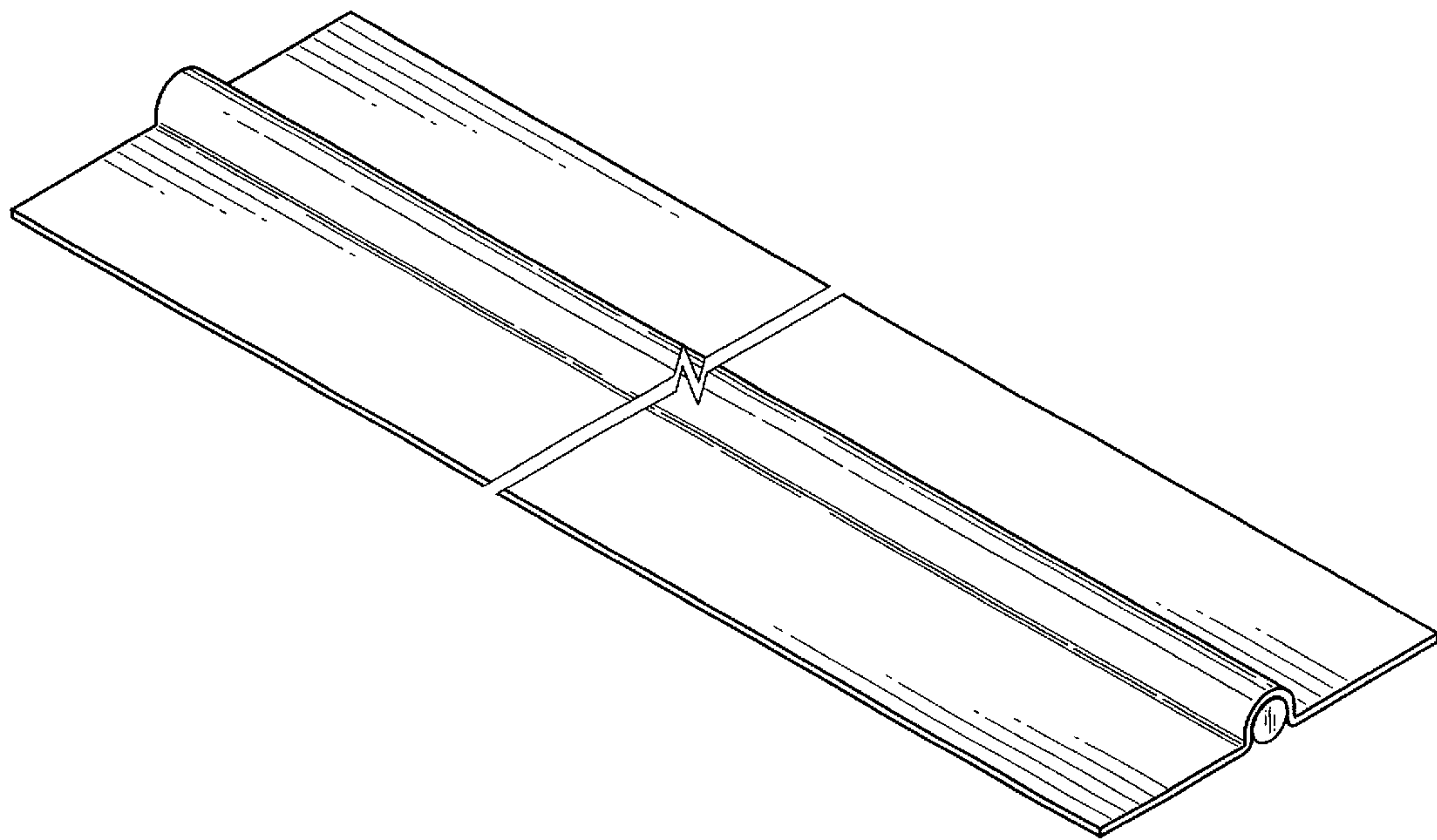


FIGURE 1

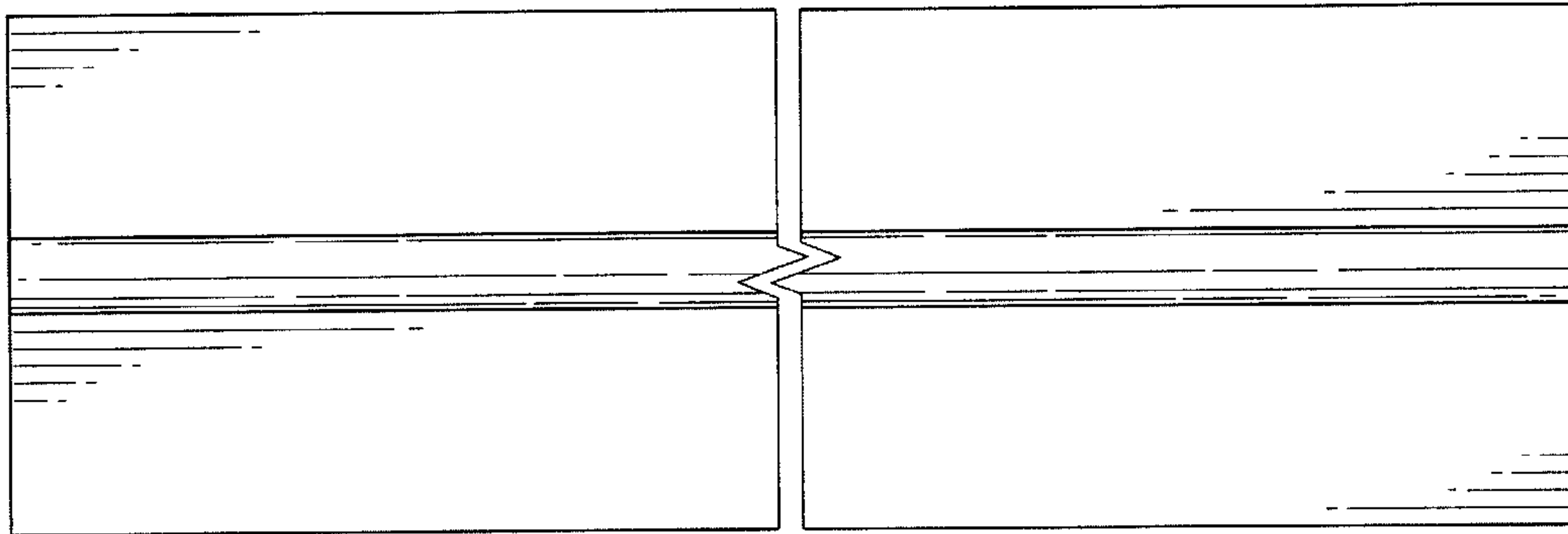


FIGURE 2

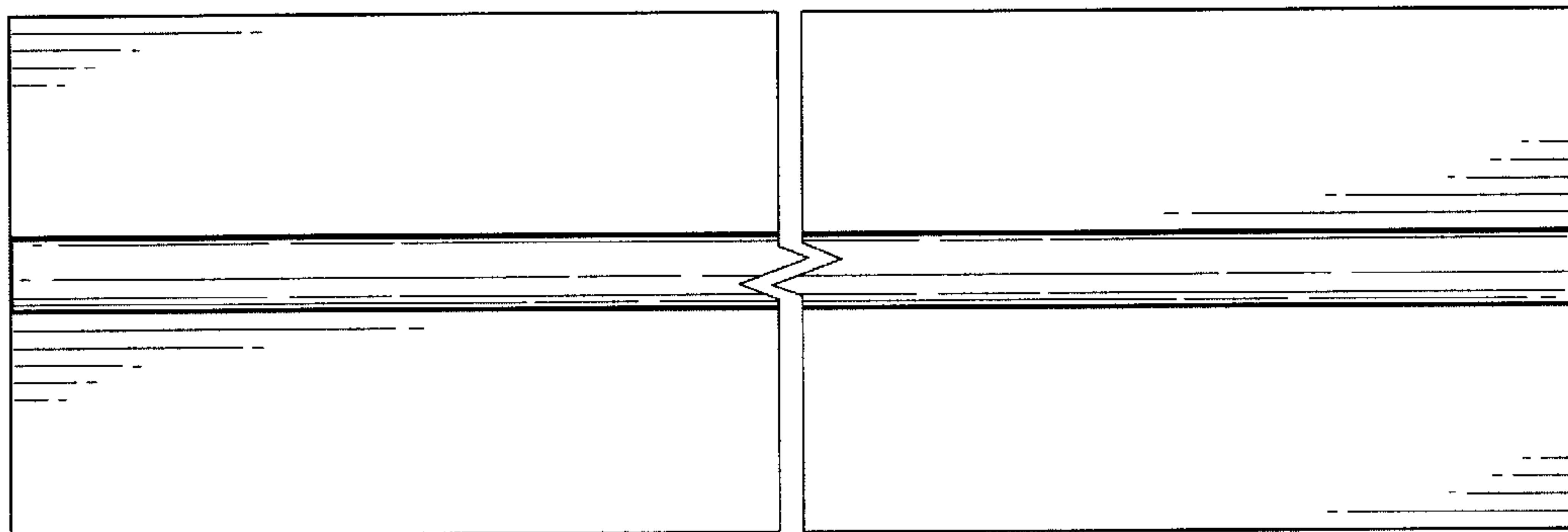


FIGURE 3



FIGURE 4



FIGURE 5