



US00D536102S

(12) **United States Design Patent**
Schrader

(10) **Patent No.:** **US D536,102 S**

(45) **Date of Patent:** **** Jan. 30, 2007**

(54) **WINDOW COMPONENT EXTRUSION**

D469,884 S * 2/2003 Franson D25/119

(75) Inventor: **Robert A. Schrader**, Puyallup, WA
(US)

* cited by examiner

(73) Assignee: **Mikron Industries, Inc.**, Kent, WA
(US)

Primary Examiner—Doris Clark

(74) *Attorney, Agent, or Firm*—Black Lowe Graham PLLC

(**) Term: **14 Years**

(57) **CLAIM**

(21) Appl. No.: **29/226,876**

The ornamental design for a window component extrusion,
as shown and described.

(22) Filed: **Apr. 1, 2005**

(51) **LOC (8) Cl.** **25-01**

(52) **U.S. Cl.** **D25/119**

(58) **Field of Classification Search** D25/119,
D25/124, 125; 52/204.1, 204.2, 204.5, 204.51,
52/656.5, 656.6, 213, 215, 208; 49/DIG. 2,
49/504

See application file for complete search history.

DESCRIPTION

FIG. 1 is a top right perspective view of the window component extrusion which is broken in the center indicating indefinite length; and,

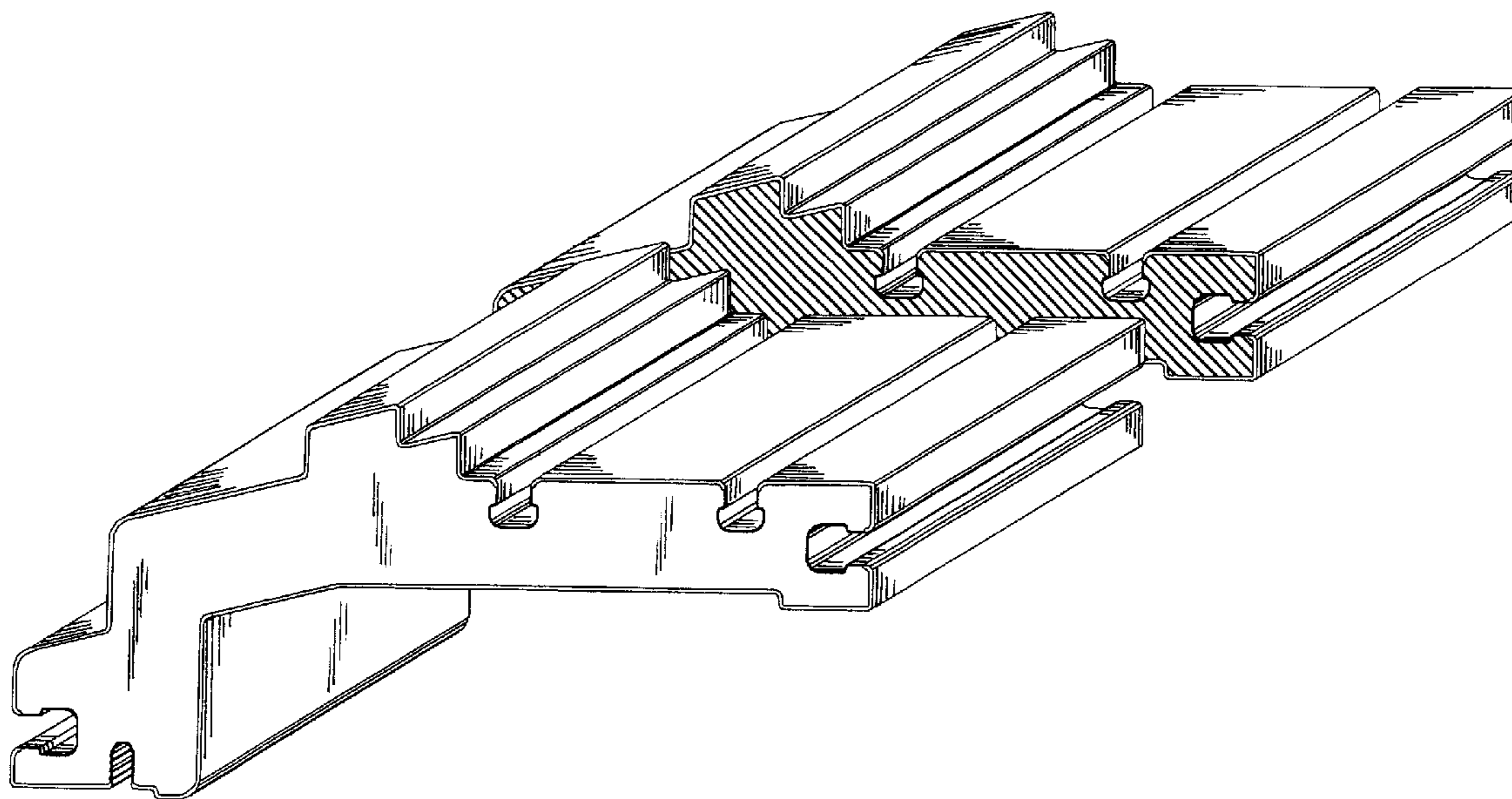
FIG. 2 is a bottom left perspective view of the window component extrusion shown in FIG. 1.

(56) **References Cited**

U.S. PATENT DOCUMENTS

4,922,661 A * 5/1990 Dallaire et al. 49/504

1 Claim, 2 Drawing Sheets



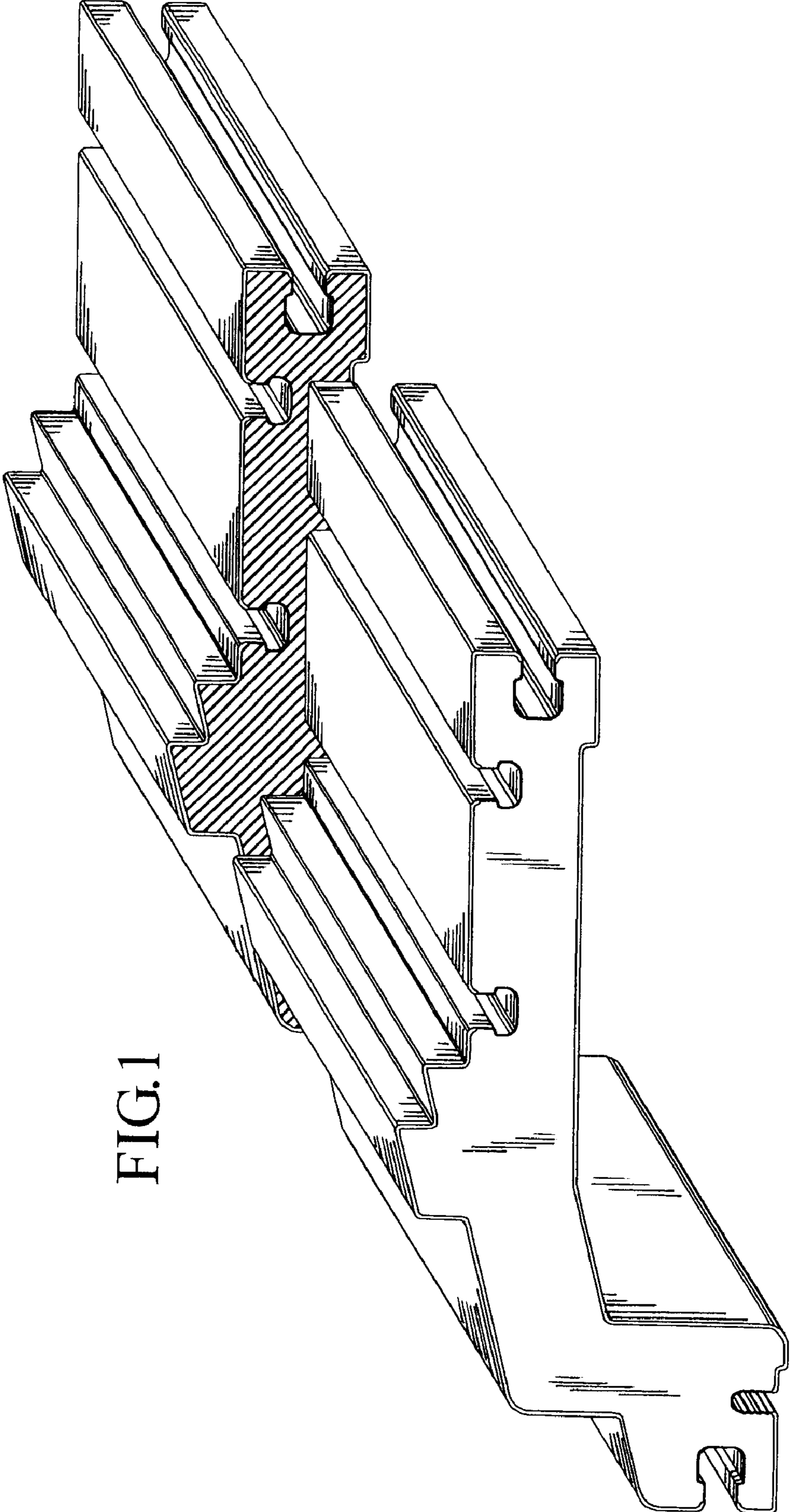


FIG. 1

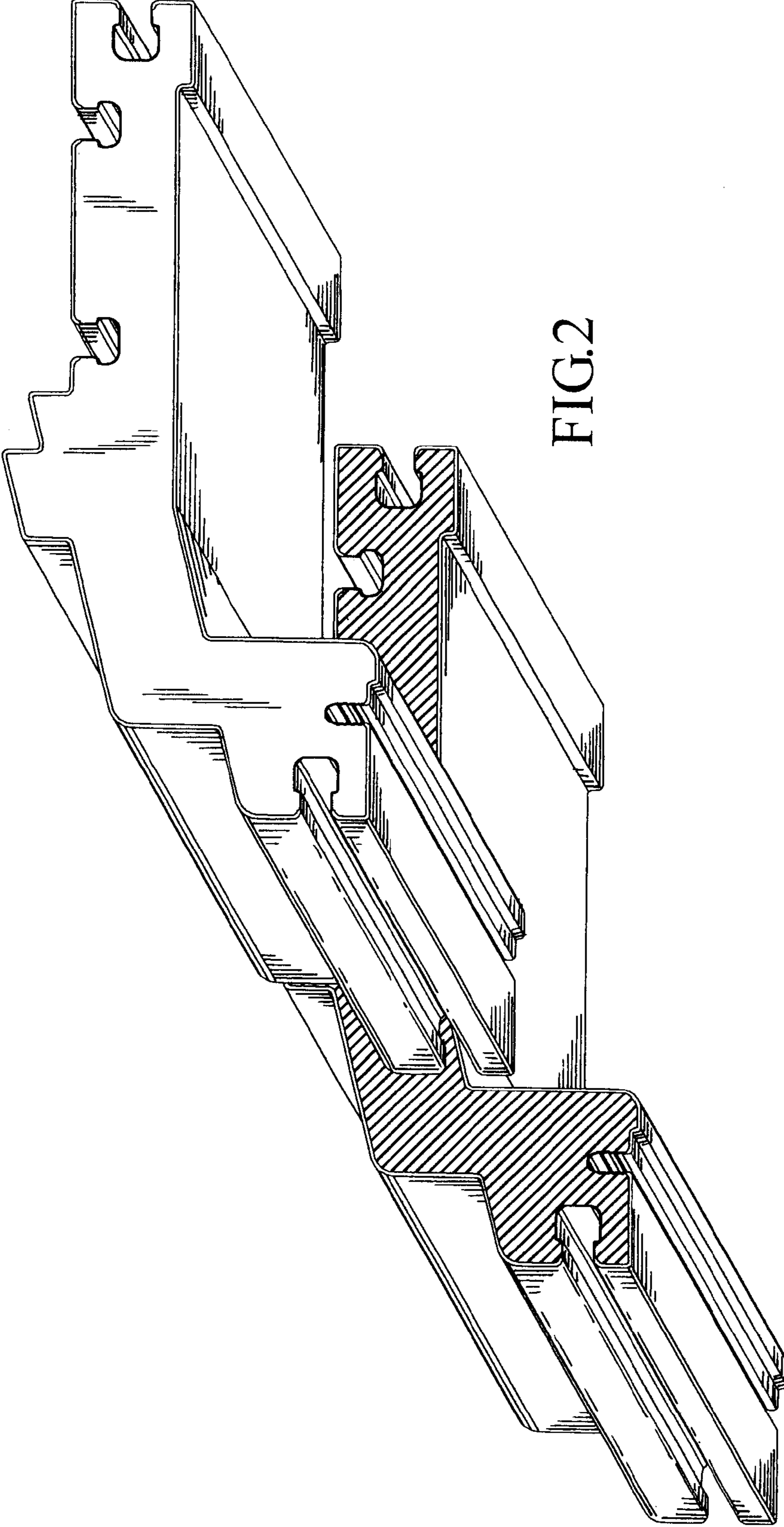


FIG. 2