



US00D536098S

(12) **United States Design Patent**
Walker

(10) **Patent No.:** **US D536,098 S**

(45) **Date of Patent:** **** Jan. 30, 2007**

(54) **HAND RAIL**

(75) Inventor: **Simon Walker**, White Rock (CA)

(73) Assignee: **Peak Innovations Inc.**, Richmond (CA)

(**) Term: **14 Years**

(21) Appl. No.: **29/230,126**

(22) Filed: **May 18, 2005**

(51) **LOC (8) Cl.** **25-02**

(52) **U.S. Cl.** **D25/38**

(58) **Field of Classification Search** 256/73,
256/1, 59, 67, 65.02, 65.11, 65.15, 65.16,
256/19, 21, 22, 24, 25; D25/38, 42, 44, 50
See application file for complete search history.

(56) **References Cited**

U.S. PATENT DOCUMENTS

2,855,227 A * 10/1958 Bottom 403/119
3,707,276 A * 12/1972 Francis et al. 256/22

5,788,224 A * 8/1998 Platt 256/66
D413,393 S * 8/1999 Damratoski D25/38
D415,287 S * 10/1999 Davis D25/38
D497,432 S * 10/2004 Ohanesian D25/38

* cited by examiner

Primary Examiner—Doris Clark

(74) *Attorney, Agent, or Firm*—Mark Hopkinson

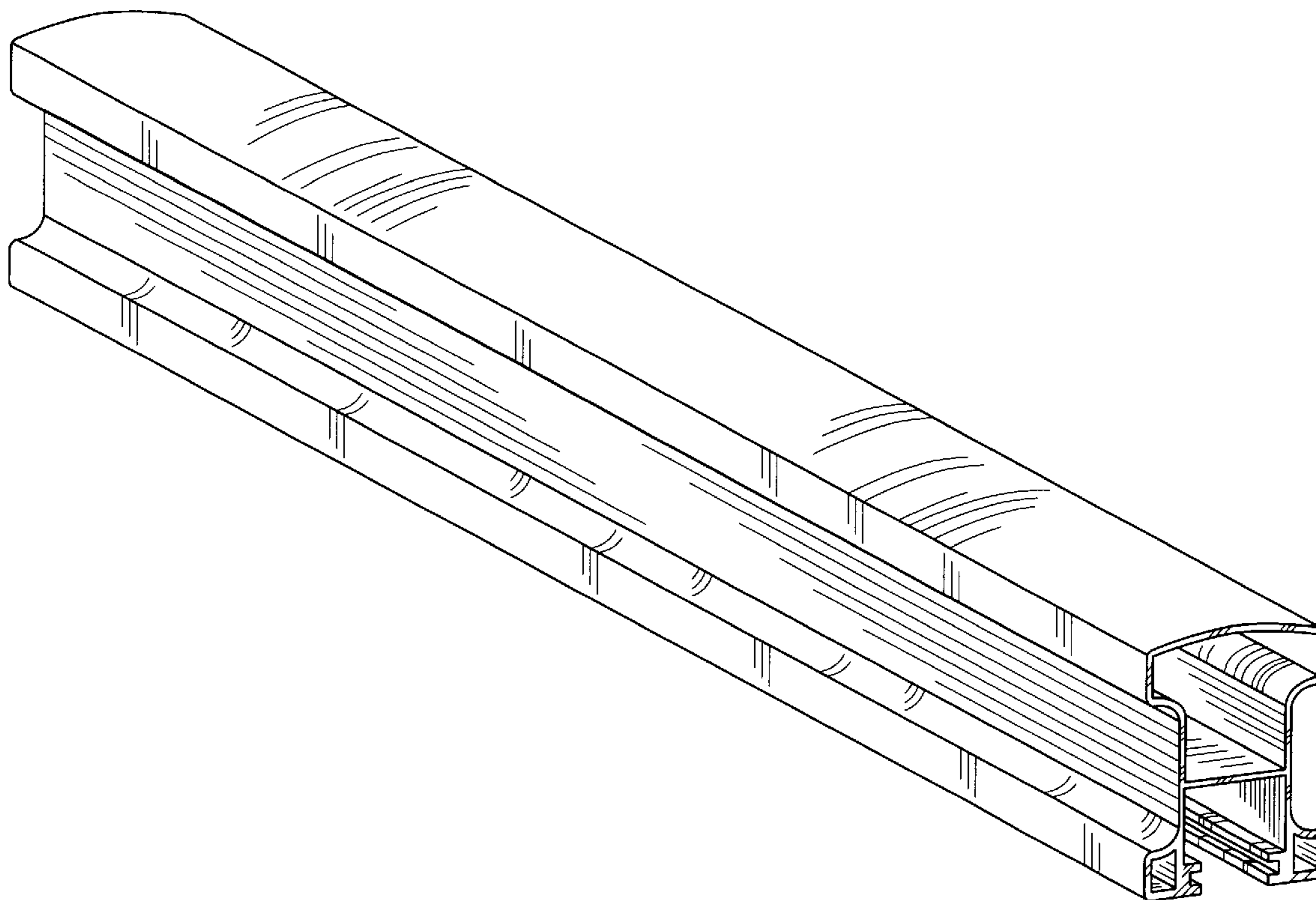
(57) **CLAIM**

The ornamental design for a hand rail, as shown and described.

DESCRIPTION

FIG. 1 is a perspective view of my hand rail;
FIG. 2 is a front view thereof, where the front and rear views are identical;
FIG. 3 is a top view thereof;
FIG. 4 is a left side view thereof, where the left and right side views are identical; and,
FIG. 5 is a bottom view thereof.

1 Claim, 2 Drawing Sheets



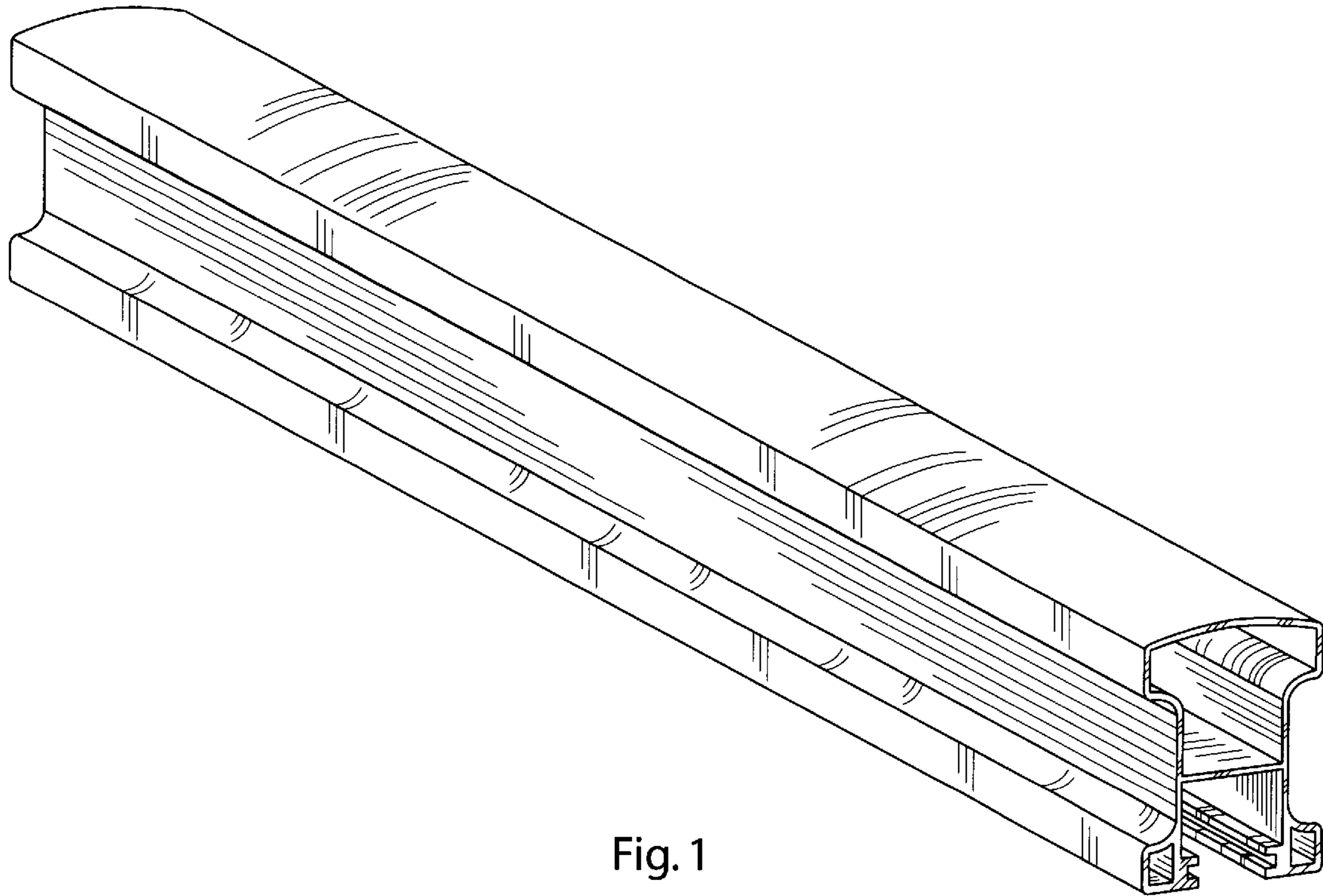


Fig. 1

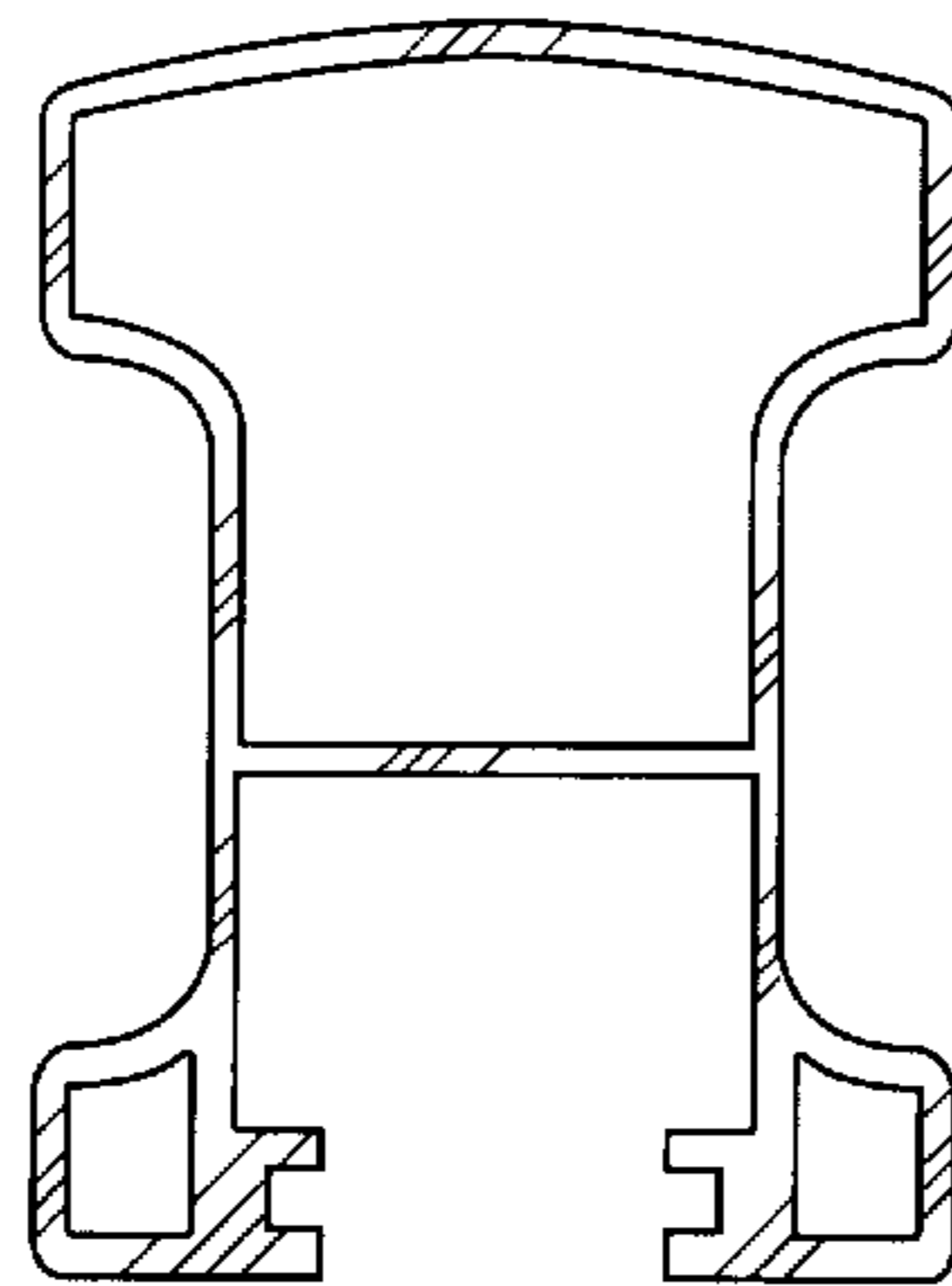


Fig. 2

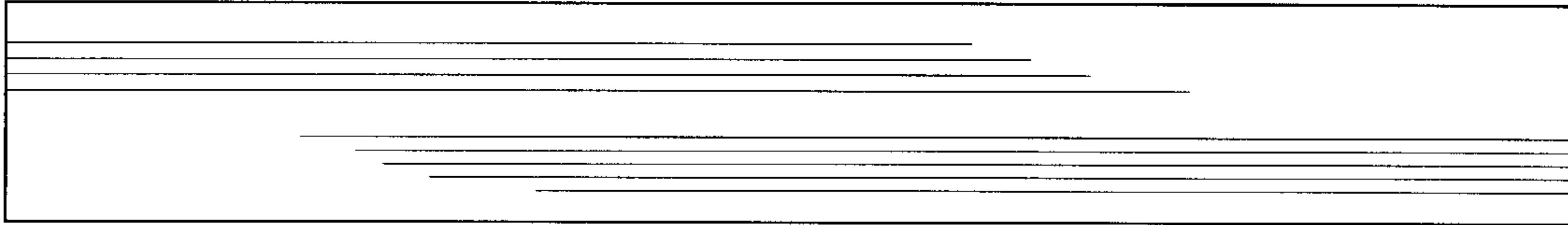


Fig. 3

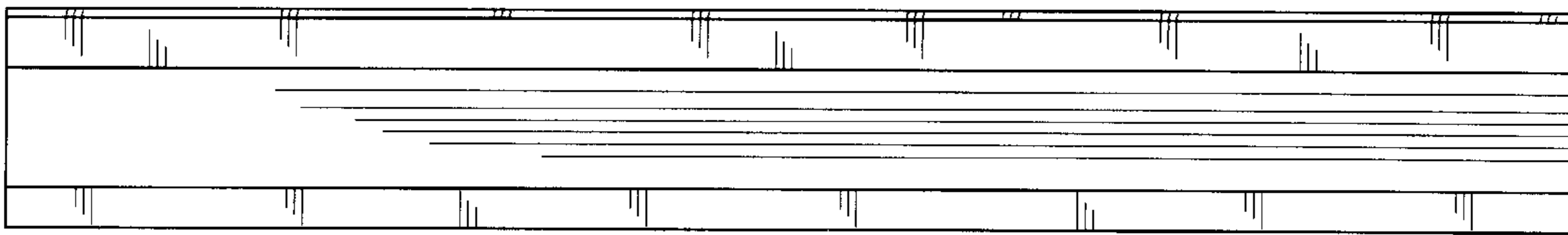


Fig. 4

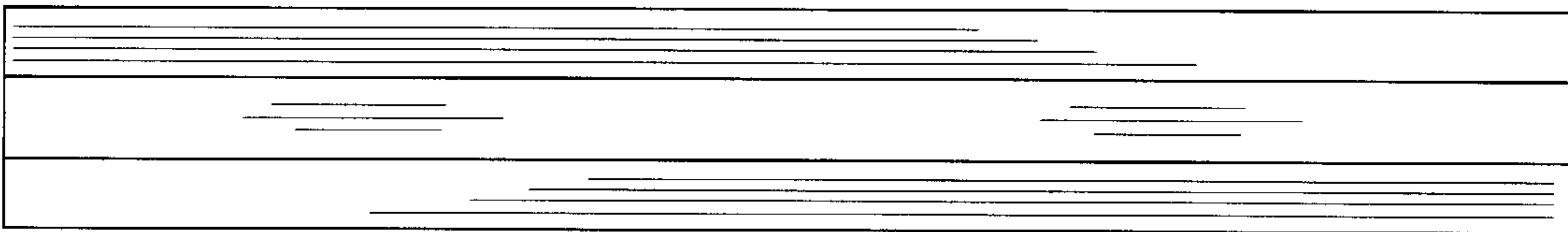


Fig 5