



US00D536096S

(12) **United States Design Patent**
Hoogland et al.

(10) **Patent No.:** **US D536,096 S**

(45) **Date of Patent:** **** Jan. 30, 2007**

(54) **OPERATION TABLE**

(75) Inventors: **Thomas Hoogland**, München (DE);
Klaus-Peter Welter, Löwenstein (DE)

(73) Assignee: **Joimax GmbH**, Stutensee (DE)

(**) Term: **14 Years**

(21) Appl. No.: **29/225,472**

(22) Filed: **Mar. 17, 2005**

(30) **Foreign Application Priority Data**

Sep. 22, 2004 (EM) 000230164

(51) **LOC (8) Cl.** **24-01**

(52) **U.S. Cl.** **D24/183**

(58) **Field of Classification Search** D24/183,
D24/188; 5/613, 622, 600, 607, 610-612,
5/618; 312/209; 297/327

See application file for complete search history.

(56) **References Cited**

U.S. PATENT DOCUMENTS

D304,614 S * 11/1989 Guttormsen D24/183
D378,613 S * 3/1997 Sundstrom D24/183
D392,741 S * 3/1998 Blanchard et al. D24/183
5,794,286 A * 8/1998 Scott et al. 5/611
6,237,172 B1 * 5/2001 Morgan, Sr. 5/618

6,276,012 B2 * 8/2001 Borders 5/622
6,484,334 B1 * 11/2002 Borders et al. 5/600
6,895,616 B2 * 5/2005 Heimbrock 5/600

* cited by examiner

Primary Examiner—Ian Simmons

Assistant Examiner—Daniel Yu

(74) *Attorney, Agent, or Firm*—Paul Vincent

(57) **CLAIM**

We claim the ornamental design for an operation table, as shown.

DESCRIPTION

FIG. 1 shows a back view of the operation table in accordance with the invention;

FIG. 2 shows a front view of the operation table in accordance with the invention;

FIG. 3 shows a right side view of the operation table in accordance with the invention;

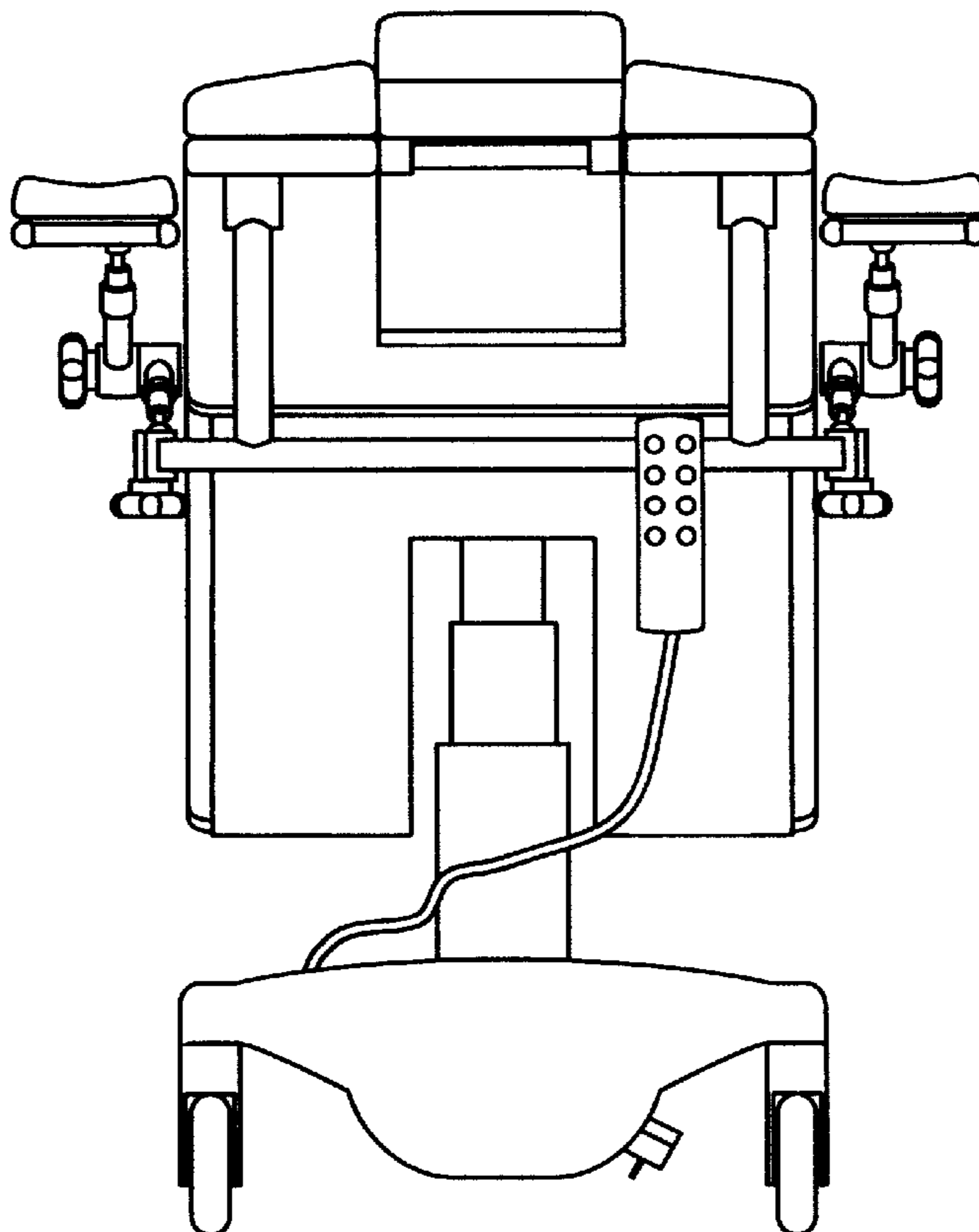
FIG. 4 shows a left side view of the operation table in accordance with the invention;

FIG. 5 shows a top view of the operation table in accordance with the invention;

FIG. 6 shows a bottom view of the operation table in accordance with the invention; and,

FIG. 7 shows a perspective view of the operation table in accordance with the invention.

1 Claim, 7 Drawing Sheets



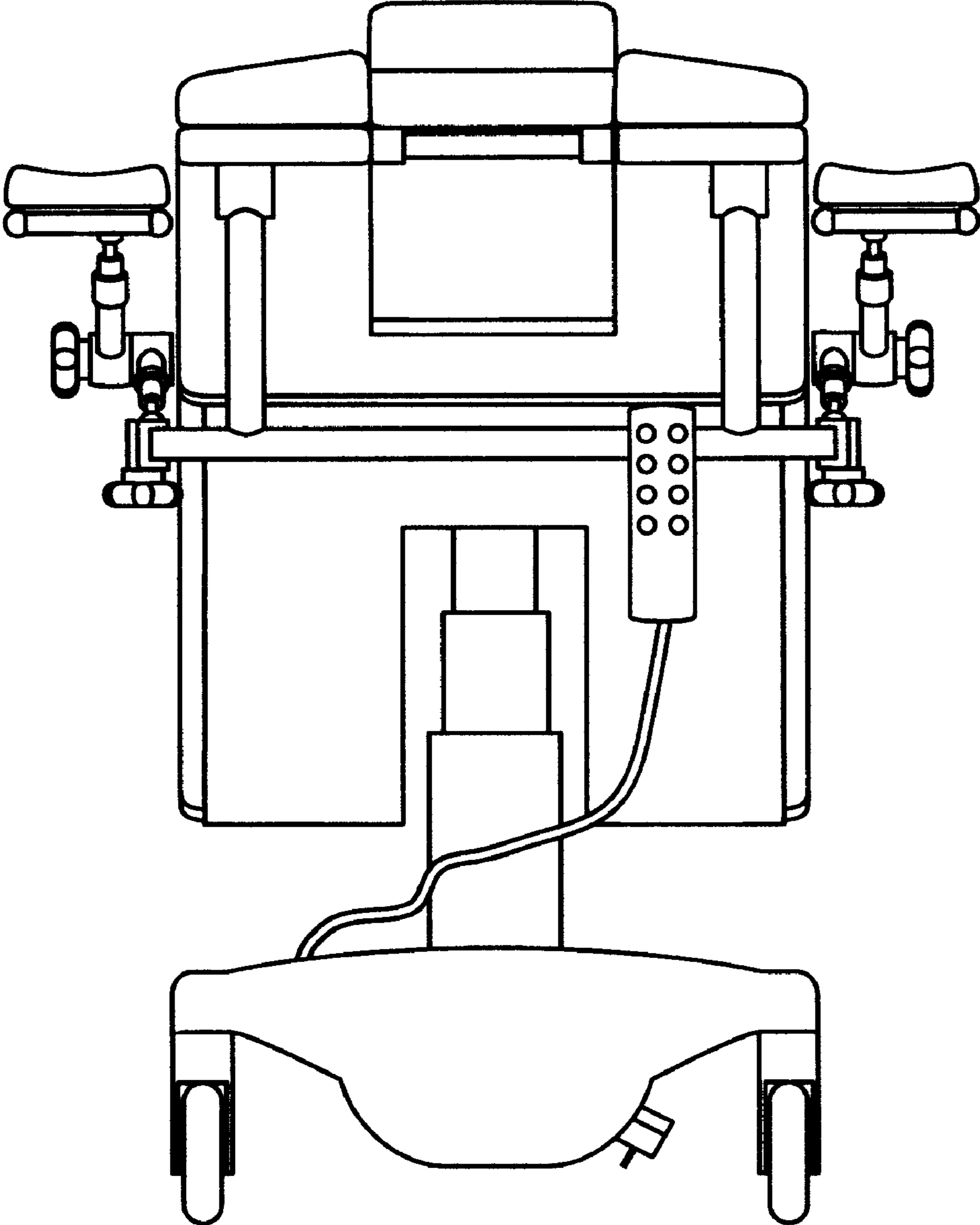


Fig. 1

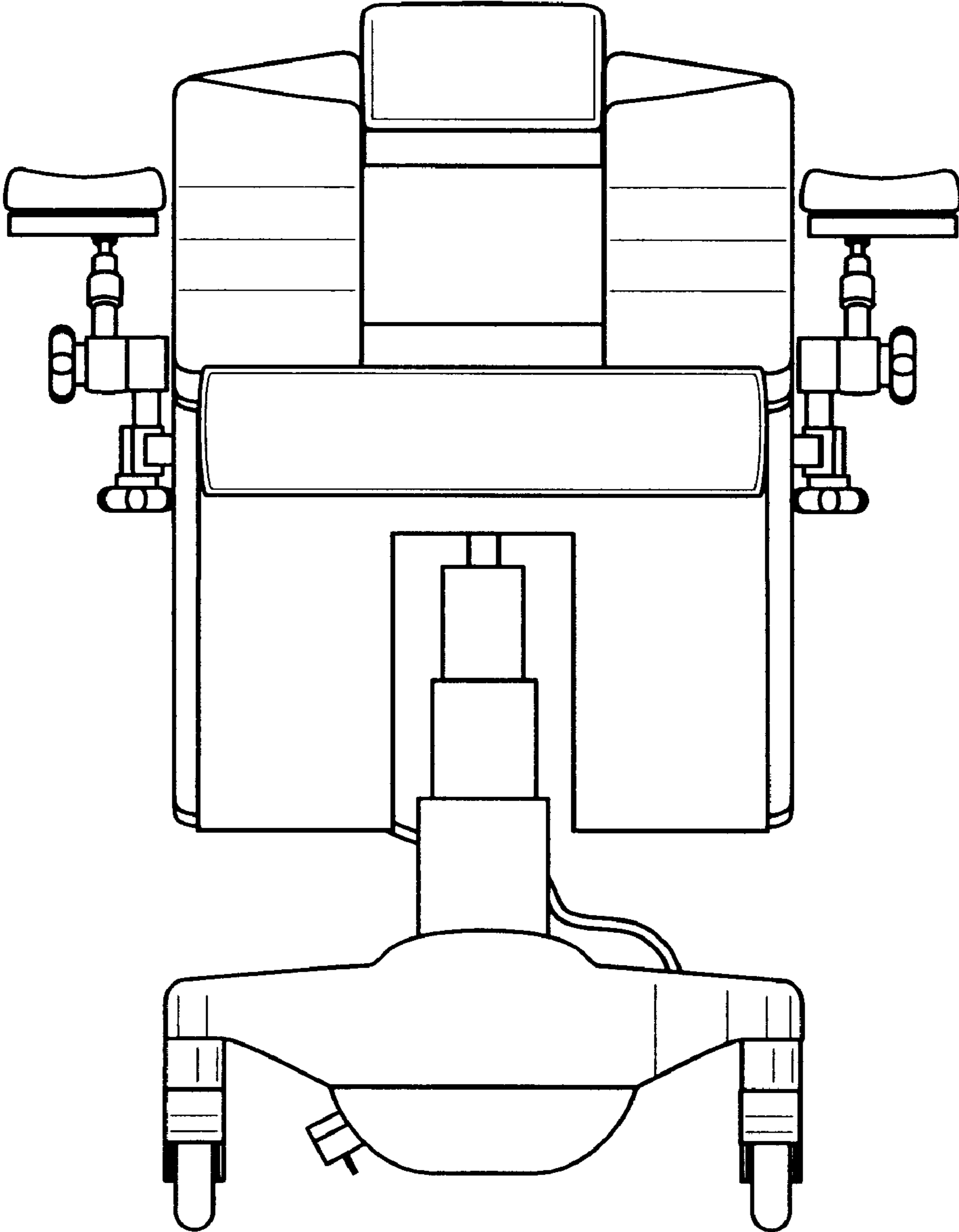


Fig. 2

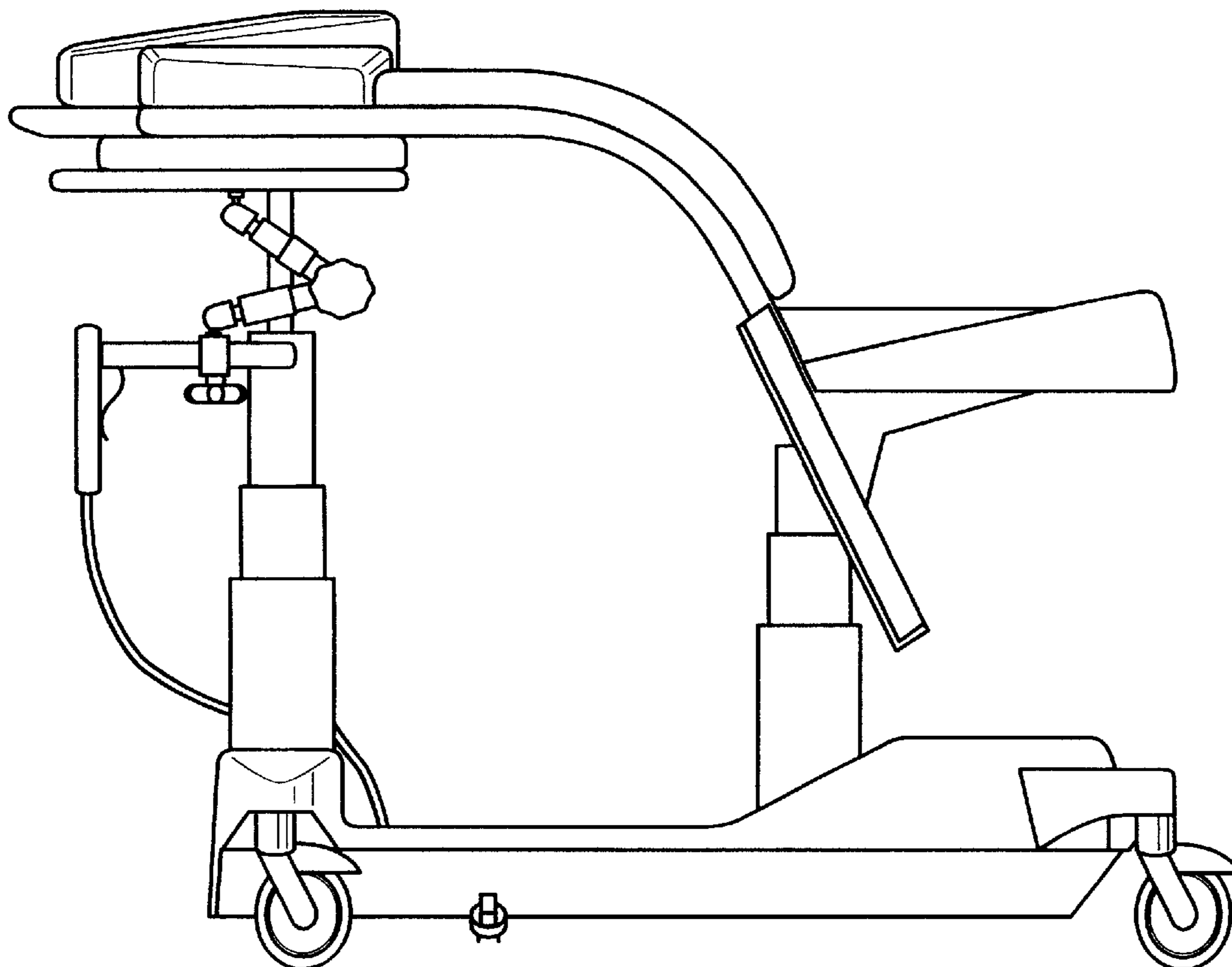


Fig. 3

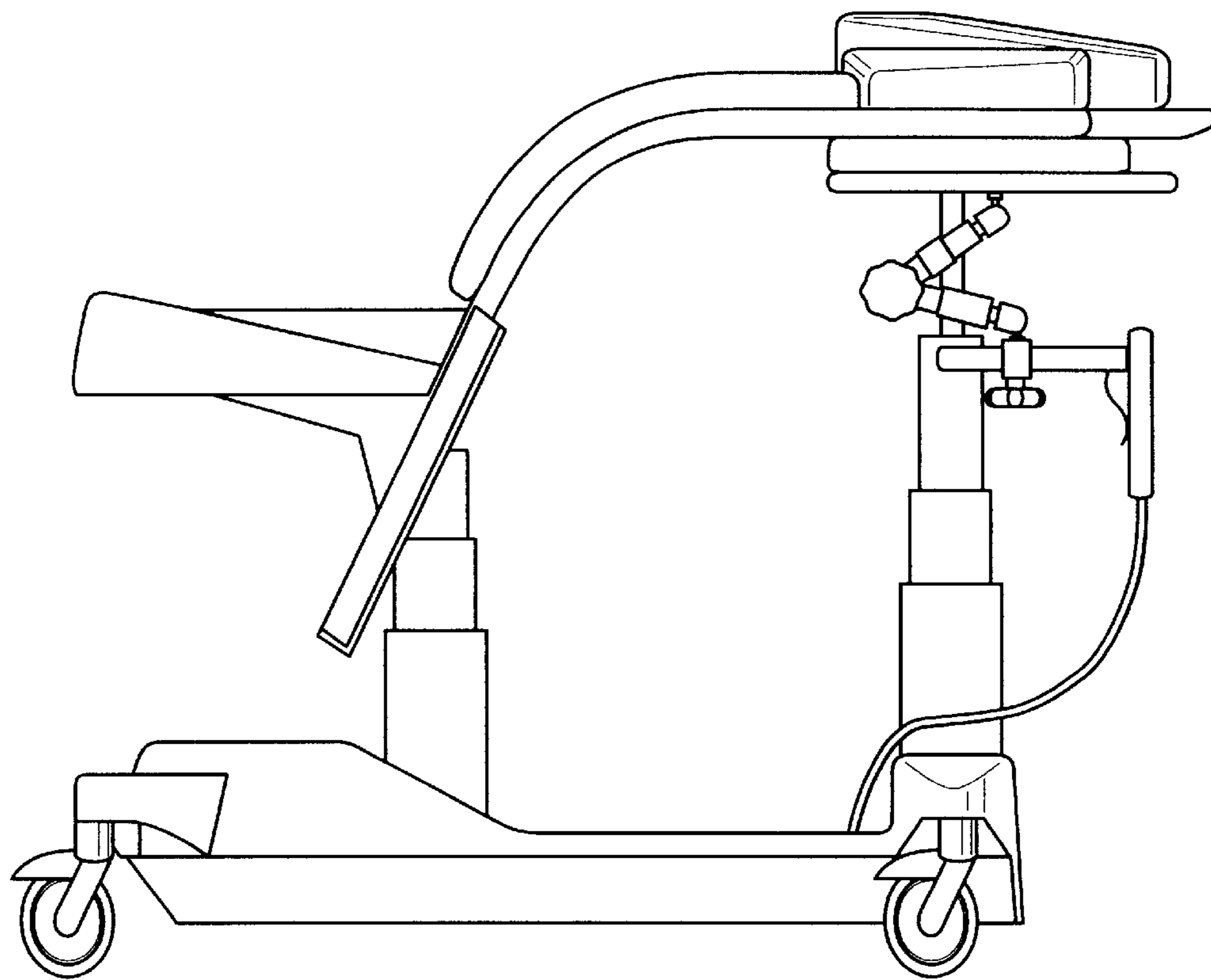


Fig. 4

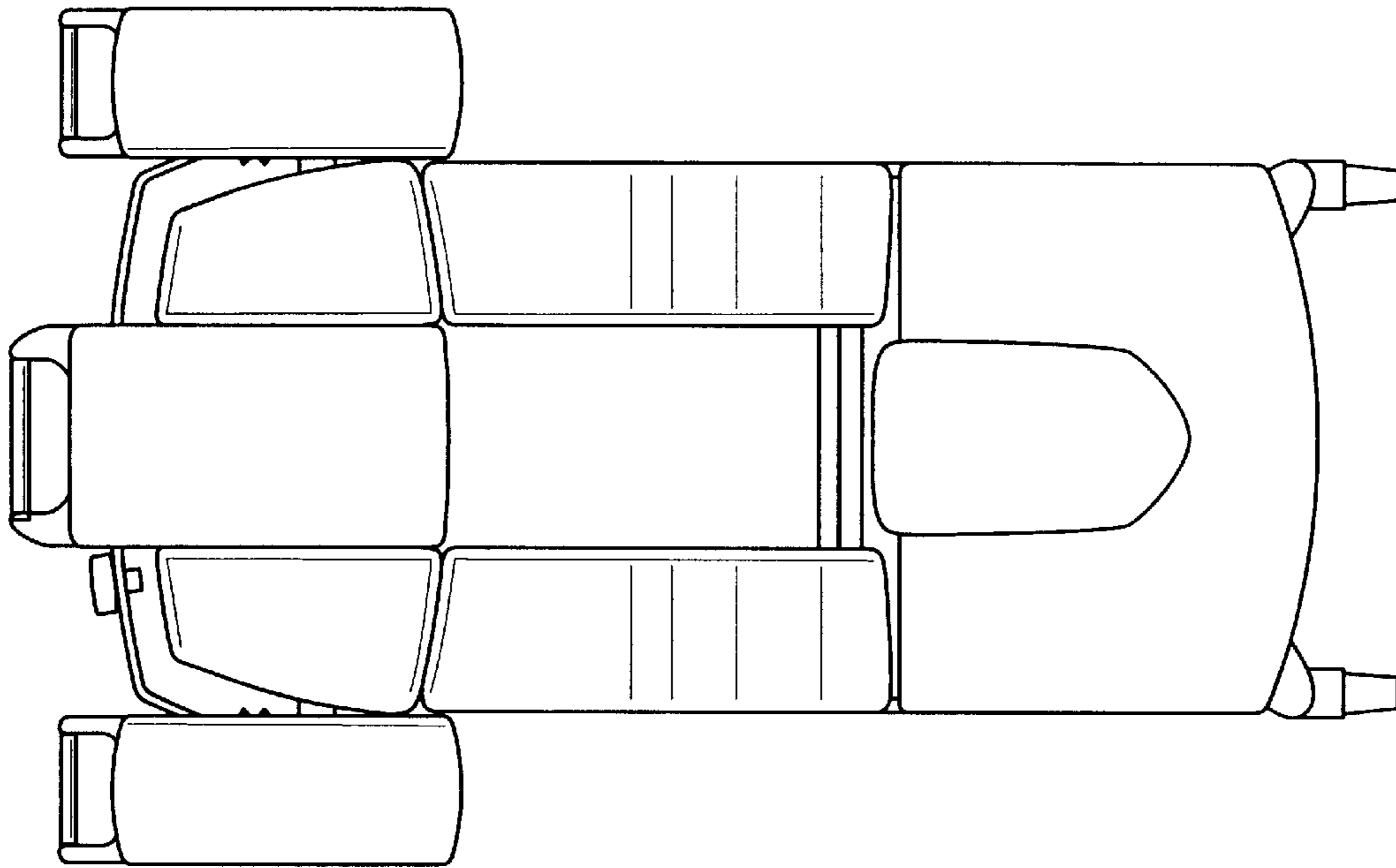


Fig. 5

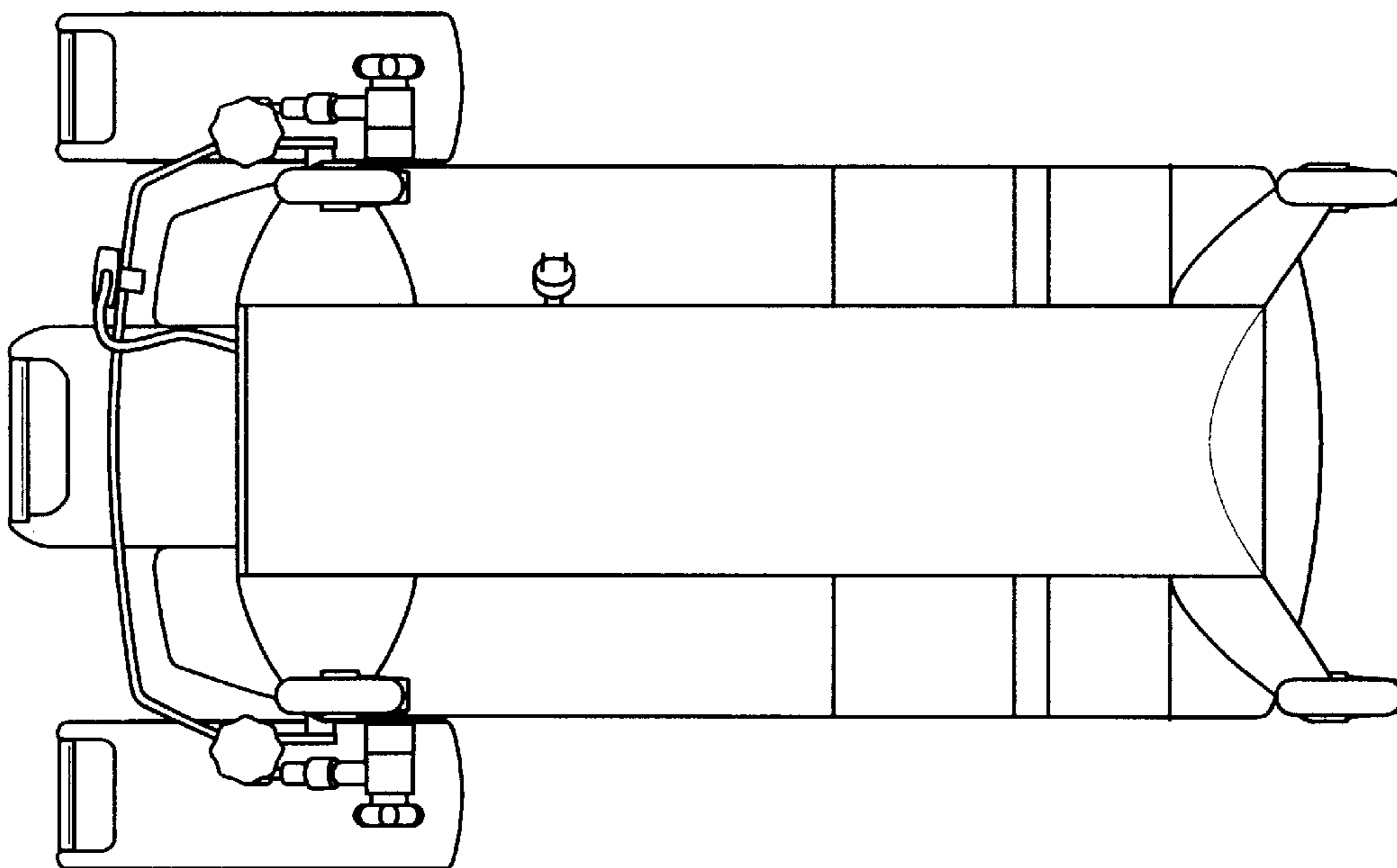


Fig. 6

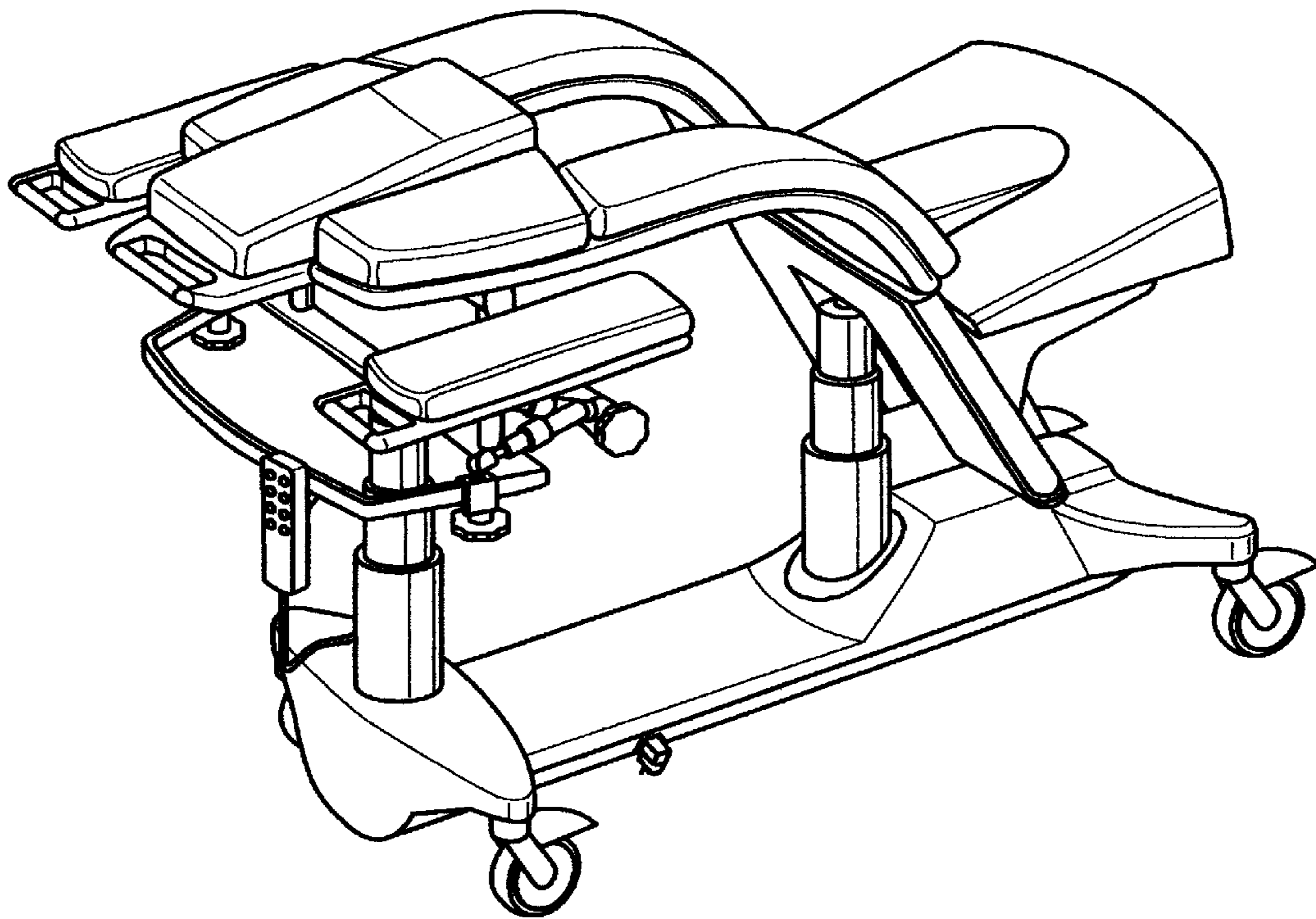


Fig. 7