



US00D536094S

(12) **United States Design Patent**
Huttner

(10) **Patent No.:** **US D536,094 S**

(45) **Date of Patent:** **** Jan. 30, 2007**

(54) **PATIENT POSITIONING FRAME**

(75) Inventor: **James J. Huttner**, Sylvania, OH (US)

(73) Assignee: **Bionix Development Corporation**,
Toledo, OH (US)

(**) Term: **14 Years**

(21) Appl. No.: **29/213,287**

(22) Filed: **Sep. 15, 2004**

(51) **LOC (8) Cl.** **24-02**

(52) **U.S. Cl.** **D24/140**

(58) **Field of Classification Search** D24/140,
D24/158, 159, 183, 190, 191, 209, 231, 232;
5/622, 628, 637; 128/849, 853, 863, 869;
250/505.1, 515.1; 602/5, 17, 18, 37

See application file for complete search history.

(56) **References Cited**

U.S. PATENT DOCUMENTS

4,506,872	A	*	3/1985	Westerberg et al.	5/601
D311,471	S	*	10/1990	Rosen	D6/601
5,775,337	A	*	7/1998	Hauger et al.	128/869
6,698,045	B1	*	3/2004	Coppens et al.	5/637
2005/0045187	A1	*	3/2005	Huttner	128/868

* cited by examiner

Primary Examiner—Antoine D. Davis

Assistant Examiner—Christopher Lee

(74) *Attorney, Agent, or Firm*—Marshall & Melhorn, LLC

(57) **CLAIM**

The ornamental design for a patient positioning frame, as shown and described.

DESCRIPTION

FIG. 1 is a front view of a patient positioning frame showing a first embodiment of my design;

FIG. 2 is a right side view of the frame of FIG. 1, the left side view being a mirror image thereof;

FIG. 3 is a top view of the frame of FIG. 1;

FIG. 4 is a bottom view of the frame of FIG. 1;

FIG. 5 is a back view of the frame of FIG. 1;

FIG. 6 is a front view of a second embodiment of the patient positioning frame showing my design;

FIG. 7 is a right side view of the frame of FIG. 6, the left side view being a mirror image thereof;

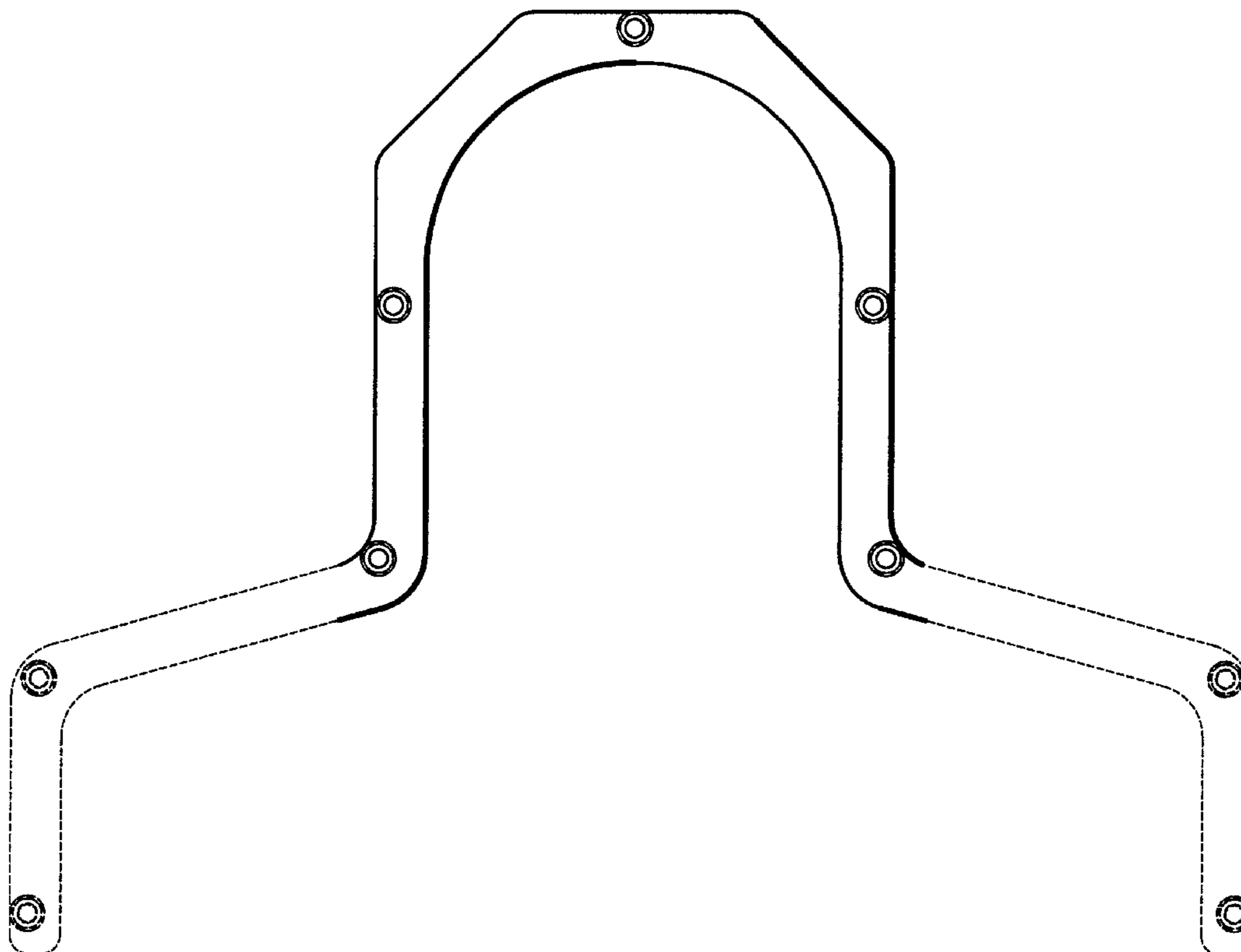
FIG. 8 is a top view of the frame of FIG. 6;

FIG. 9 is a bottom view of the frame of FIG. 6; and,

FIG. 10 is a back view of the frame of FIG. 6.

The broken lines shown in FIGS. 1–10 represent unclaimed subject matter.

1 Claim, 6 Drawing Sheets



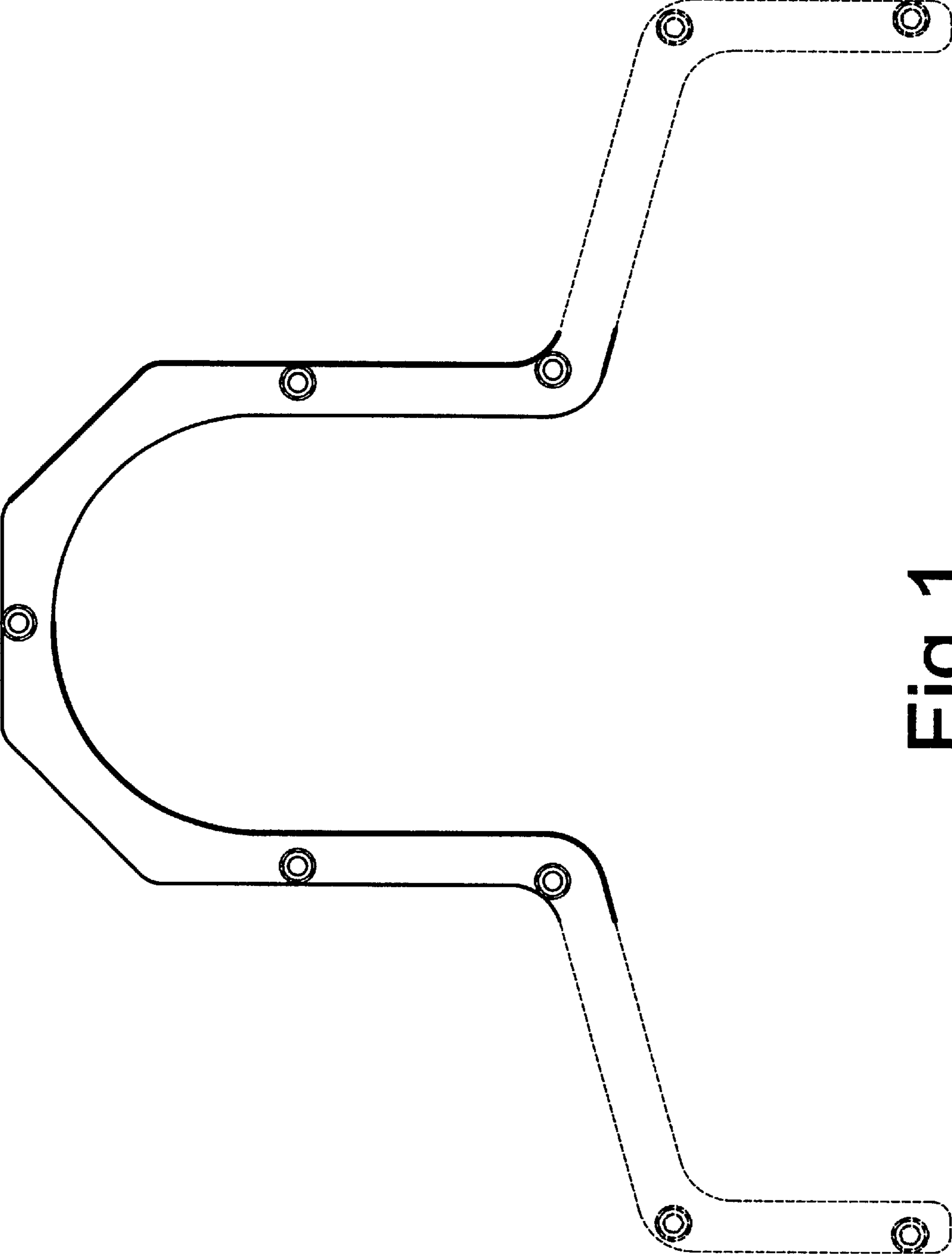


Fig 1

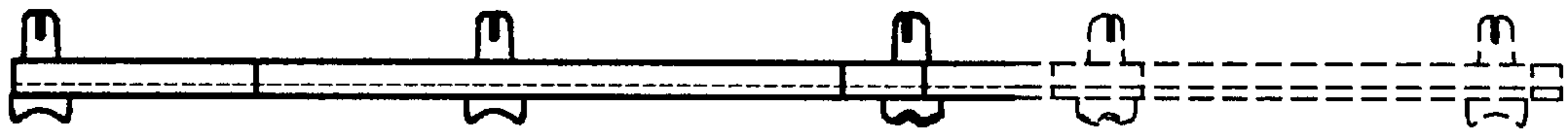


Fig 2

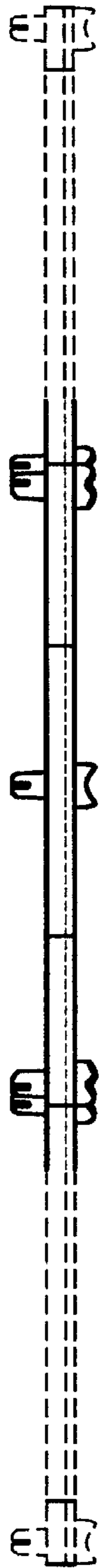


Fig 4



Fig 3

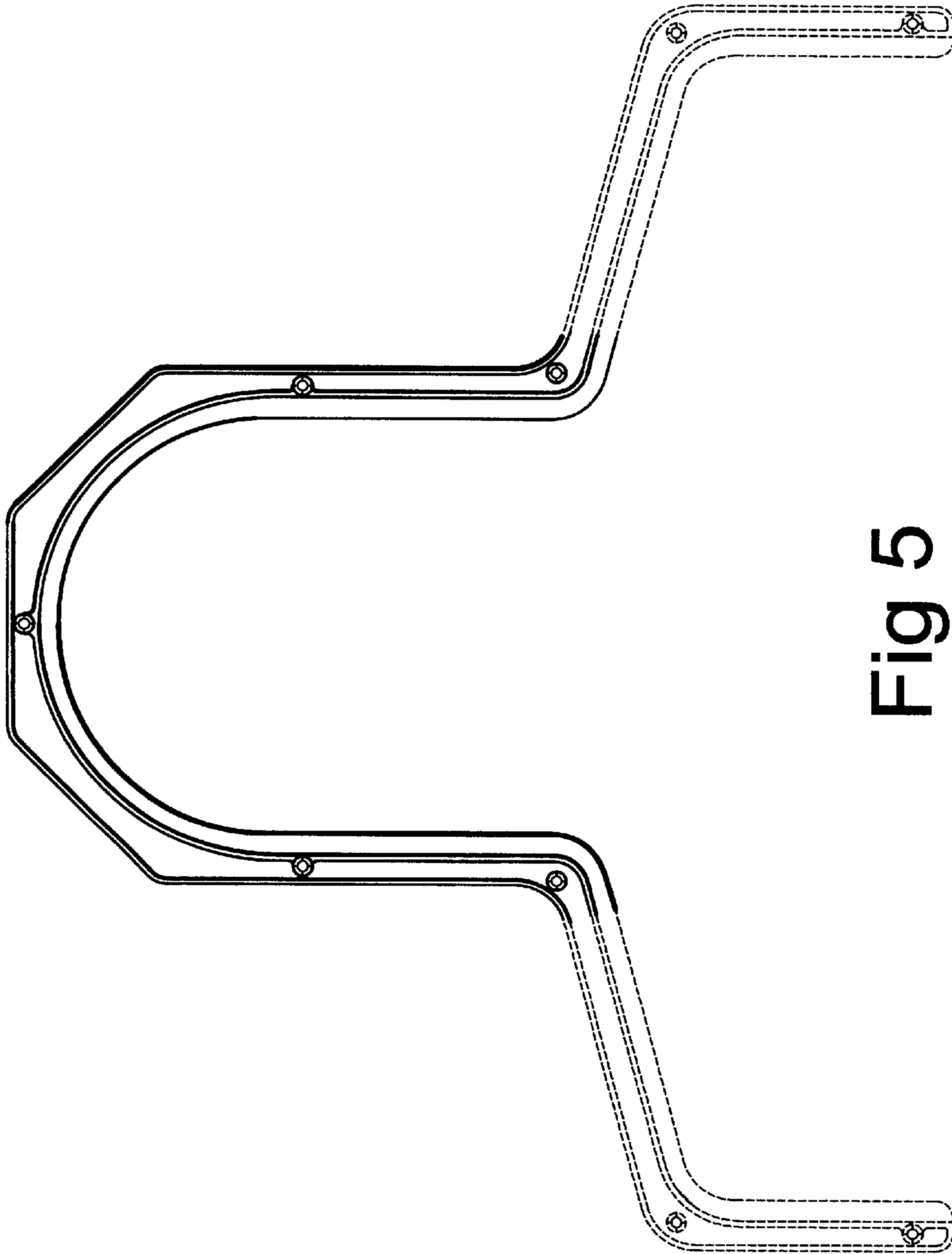


Fig 5

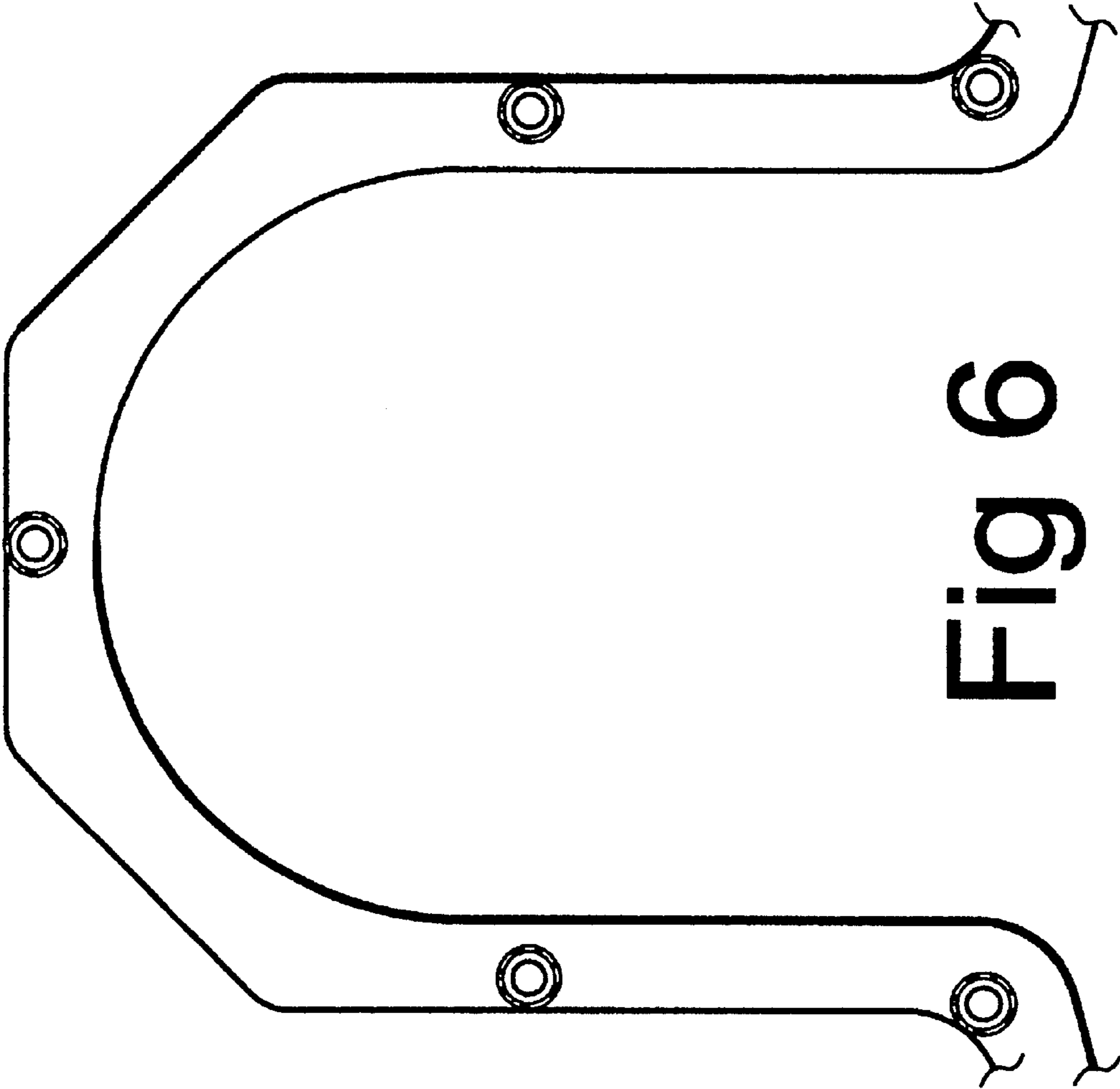


Fig 6

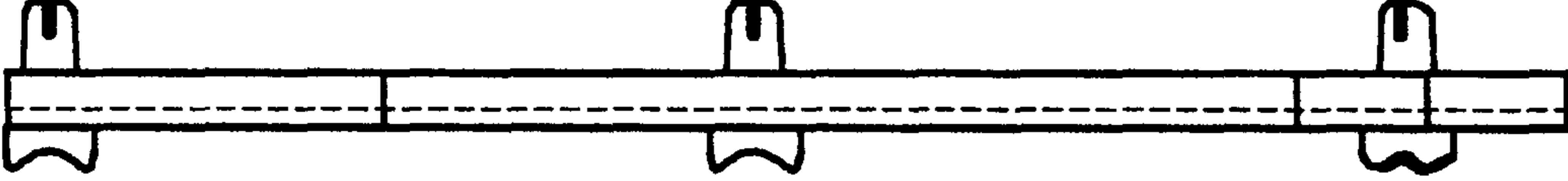


Fig 7

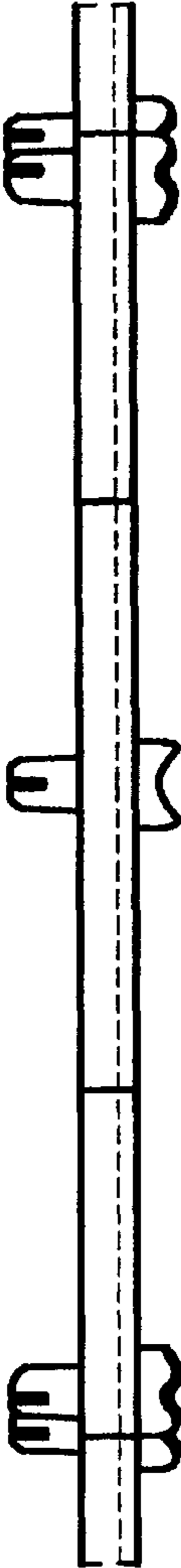


Fig 9

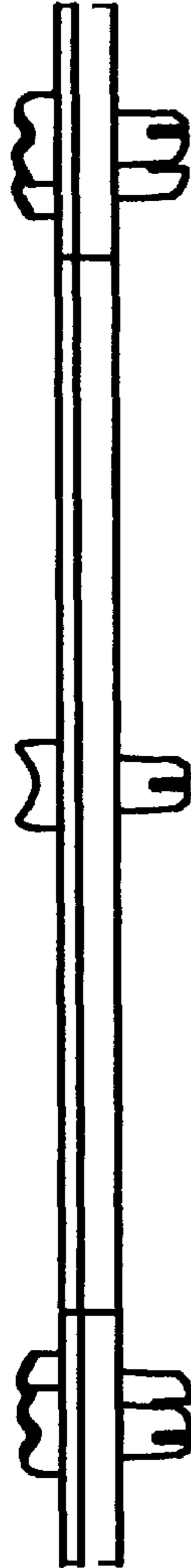


Fig 8

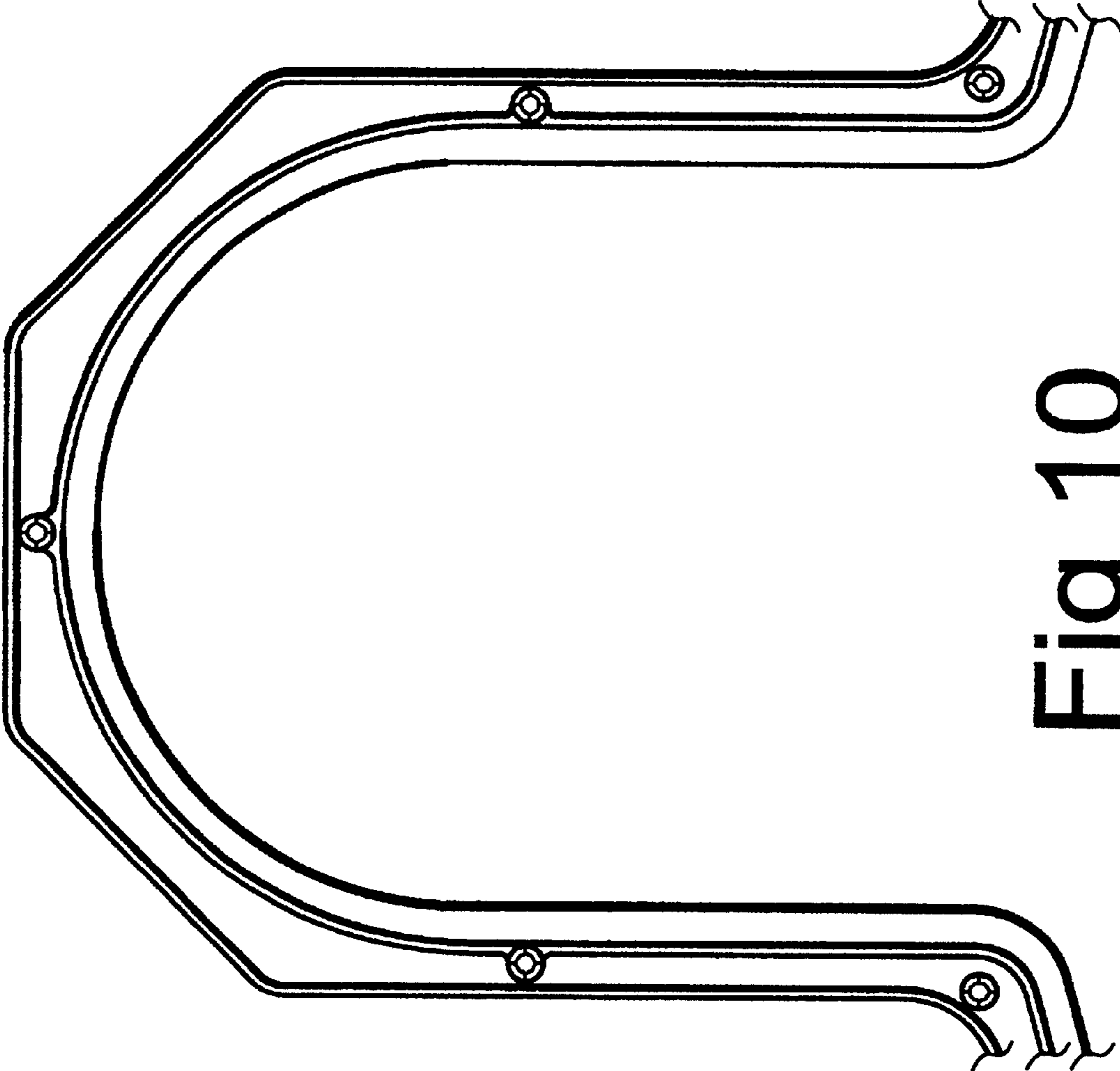


Fig 10