



US00D536091S

(12) **United States Design Patent**
Biener et al.

(10) **Patent No.:** **US D536,091 S**
(45) **Date of Patent:** **** Jan. 30, 2007**

(54) **MASK**

(75) Inventors: **Achim Biener**, Aufkirchen (DE);
Bernd Lang, Grafelfing (DE)

(73) Assignee: **MAP Medizin-Technologies GmbH**,
Martinried (DE)

(**) Term: **14 Years**

(21) Appl. No.: **29/224,841**

(22) Filed: **Mar. 9, 2005**

(30) **Foreign Application Priority Data**

Oct. 1, 2004 (EM) 000233218

(51) **LOC (8) Cl.** **29-02**

(52) **U.S. Cl.** **D24/110.1; D24/110.4**

(58) **Field of Classification Search** D24/110.1,
D24/110.4, 110.5, 164; 128/207.13, 207.11,
128/205.25, 207.12, 206.21, 206.27, 206.26,
128/207.17

See application file for complete search history.

(56) **References Cited**

U.S. PATENT DOCUMENTS

| | | | |
|-----------------|---------|-------------------|------------|
| D322,318 S | 12/1991 | Sullivan | |
| D402,755 S | 12/1998 | Kwok | |
| 6,044,844 A | 4/2000 | Kwok et al. | |
| D428,987 S | 8/2000 | Kwok | |
| D439,326 S | 3/2001 | Hecker et al. | |
| D443,355 S | 6/2001 | Gunaratnam et al. | |
| D458,365 S | 6/2002 | Kopacko et al. | |
| D468,823 S | 1/2003 | Smart | |
| 6,532,961 B1 | 3/2003 | Kwok | |
| 6,561,190 B1 | 5/2003 | Kwok | |
| 6,581,602 B2 * | 6/2003 | Kwok et al. | 128/207.13 |
| D484,237 S * | 12/2003 | Lang et al. | D24/110.1 |
| 6,679,261 B2 | 1/2004 | Lithgow et al. | |
| D502,260 S | 2/2005 | Lang et al. | |
| D515,698 S * | 2/2006 | Lang et al. | D24/110.1 |
| 7,000,614 B2 * | 2/2006 | Lang et al. | 128/206.21 |
| D519,207 S * | 4/2006 | Raje et al. | D24/110.1 |
| 2003/0062048 A1 | 4/2003 | Gradon et al. | |
| 2003/0075180 A1 | 4/2003 | Raje et al. | |
| 2003/0089373 A1 | 5/2003 | Gradon et al. | |

| | | | |
|-------------------|---------|-----------------|------------|
| 2003/0221691 A1 * | 12/2003 | Biener et al. | 128/206.24 |
| 2004/0045550 A1 * | 3/2004 | Lang et al. | 128/205.25 |
| 2004/0112387 A1 * | 6/2004 | Lang et al. | 128/206.24 |
| 2005/0011521 A1 * | 1/2005 | Sprinkle et al. | 128/206.21 |

FOREIGN PATENT DOCUMENTS

| | | |
|----|-------------|---------|
| WO | WO 99/58181 | 11/1999 |
| WO | WO 01/97892 | 12/2001 |

* cited by examiner

Primary Examiner—Antoine D. Davis

Assistant Examiner—Christopher Lee

(74) *Attorney, Agent, or Firm*—Nixon & Vanderhye P.C.

(57) **CLAIM**

The ornamental design for a mask, as shown and described.

DESCRIPTION

FIG. 1 is a perspective view from the top, right side of a mask according to our design;

FIG. 2 is a perspective view thereof from the front, right side;

FIG. 3 is a front view thereof;

FIG. 4 is a rear view thereof;

FIG. 5 is a right side view thereof, with the left side view being a mirror image thereof;

FIG. 6 is a top view thereof;

FIG. 7 is a bottom view thereof;

FIG. 8 is an enlarged perspective view of the connector tube portion shown in FIGS. 1–7, in isolation;

FIG. 9 is a reverse perspective view thereof;

FIG. 10 is a front view thereof;

FIG. 11 is a rear view thereof;

FIG. 12 is a left side view thereof;

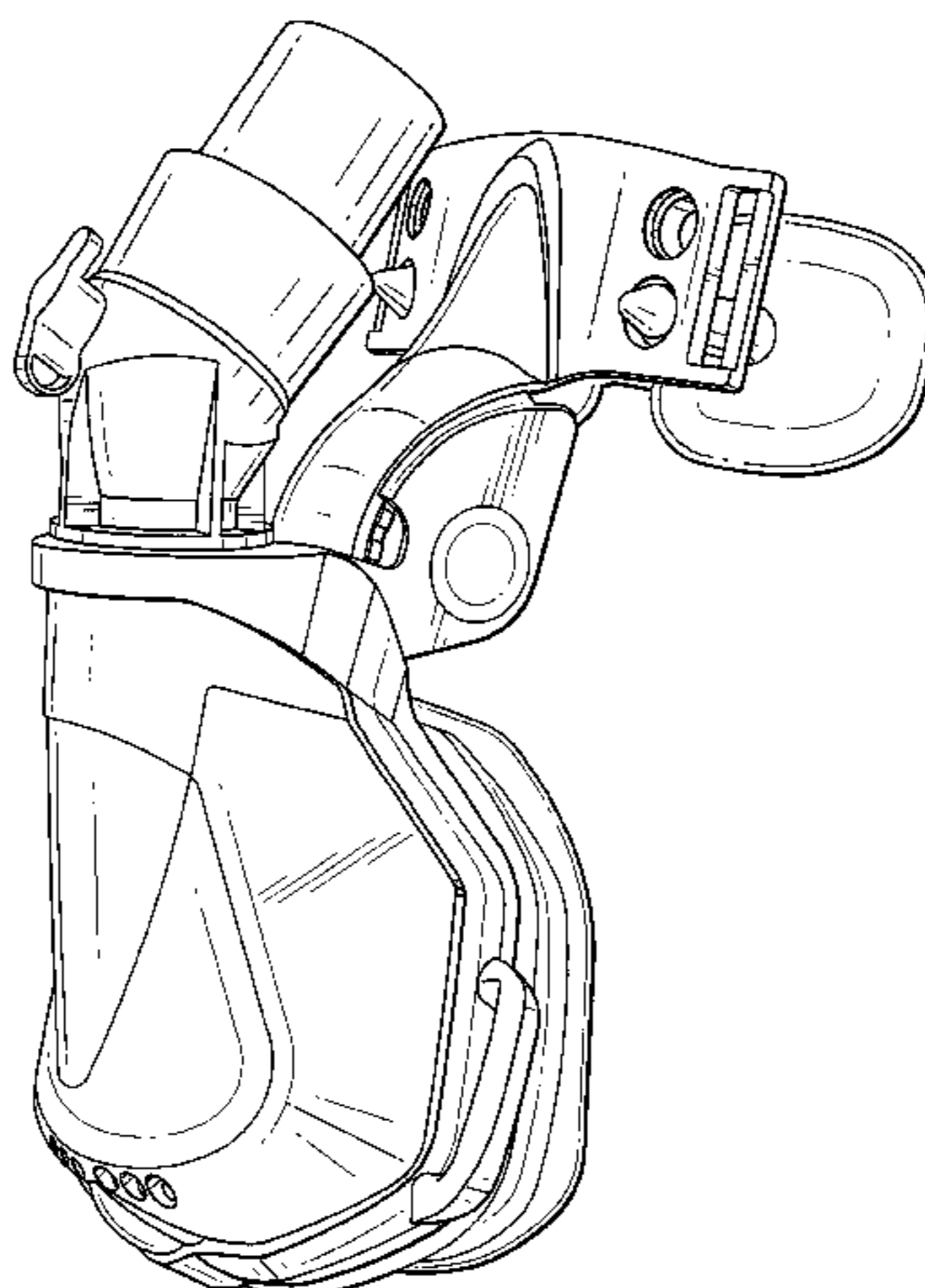
FIG. 13 is a right side view thereof;

FIG. 14 is a top view thereof; and,

FIG. 15 is a bottom view thereof.

Throughout the various figures of the drawings, certain views may not be provided. The omission of a particular view is intended to convey that the element(s) depicted is/are plain and unornamented in that omitted view, or that the particular ornamental appearance in that view is simply not claimed.

1 Claim, 14 Drawing Sheets



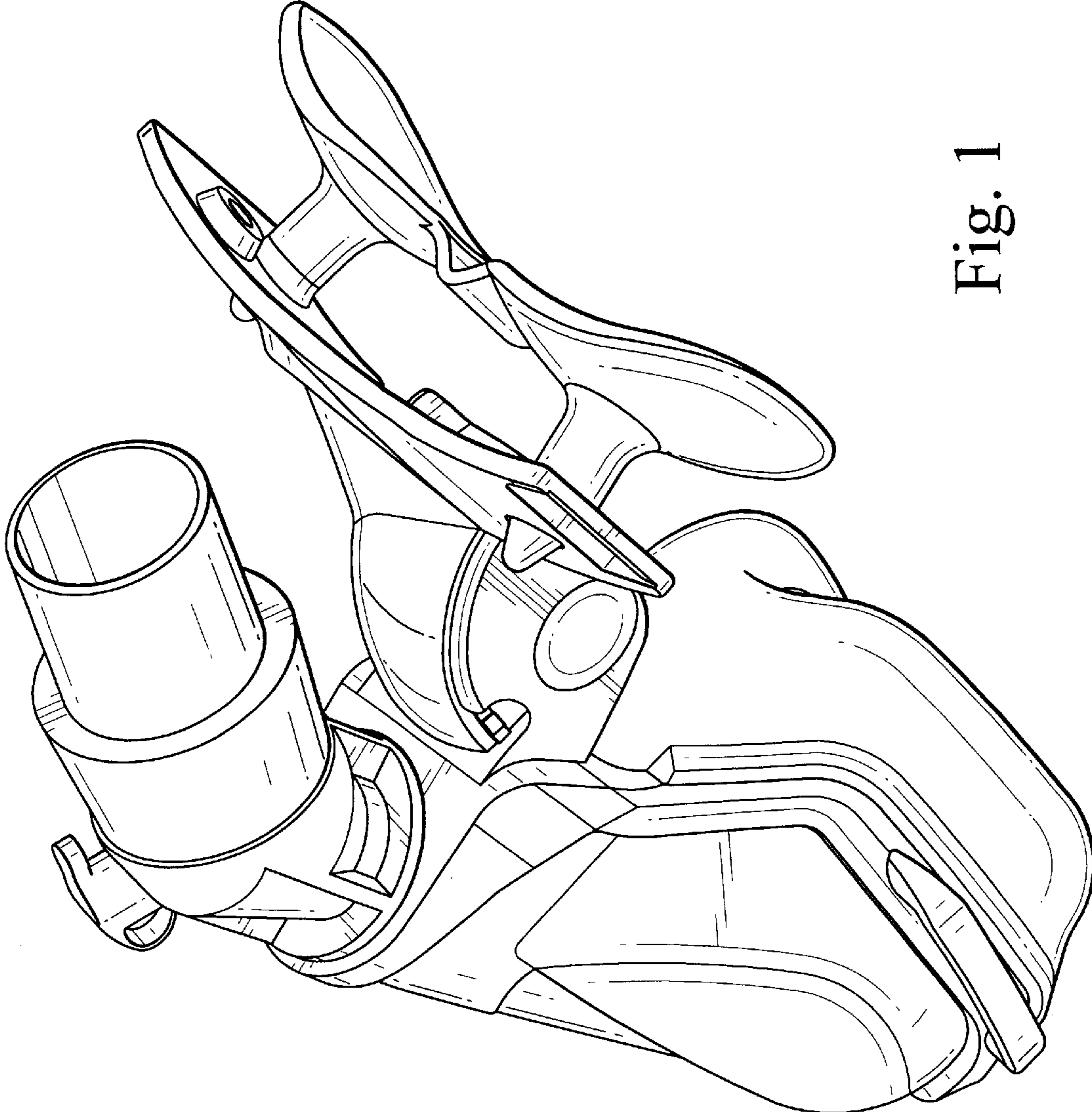


Fig. 1

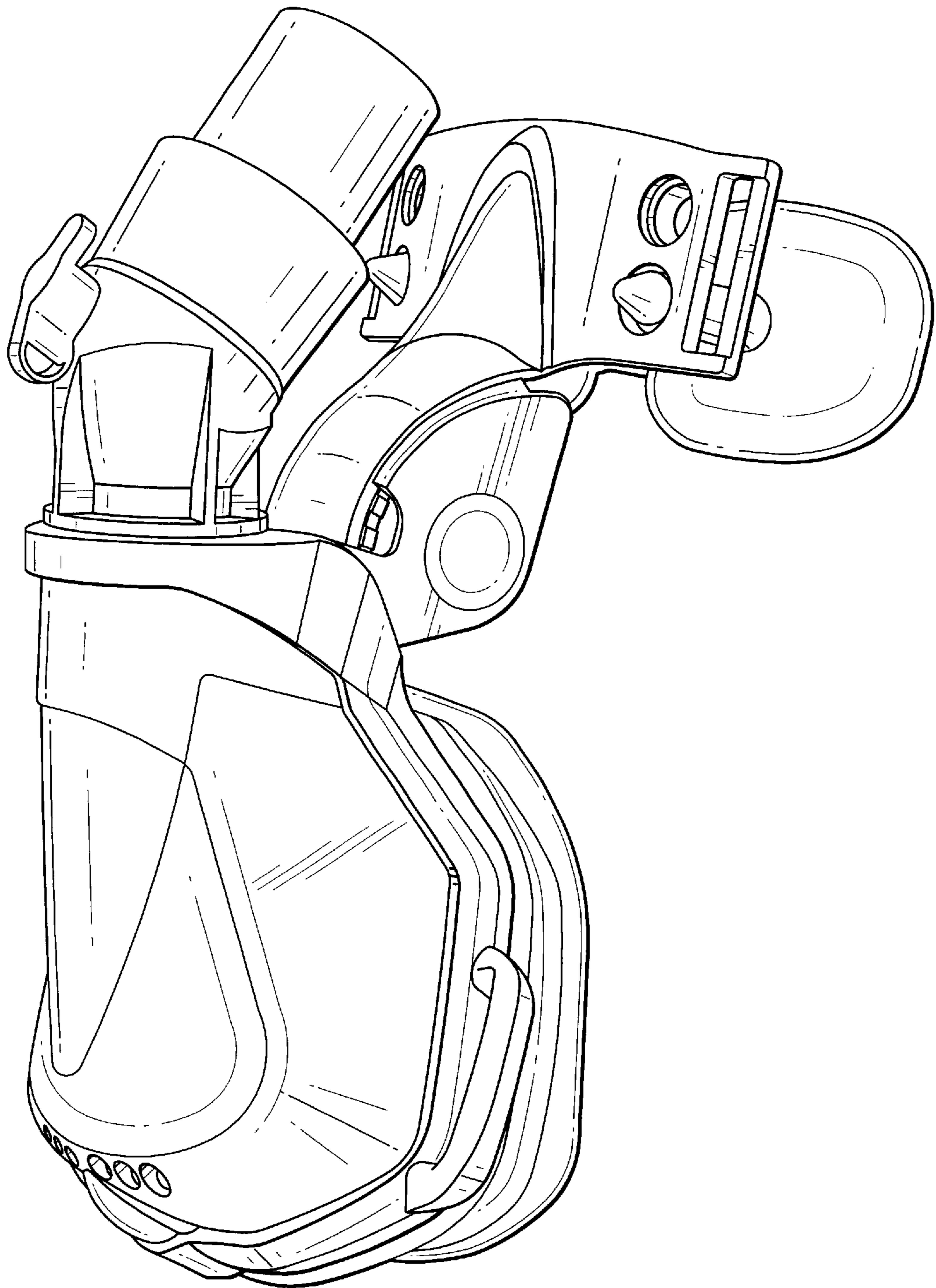


Fig. 2

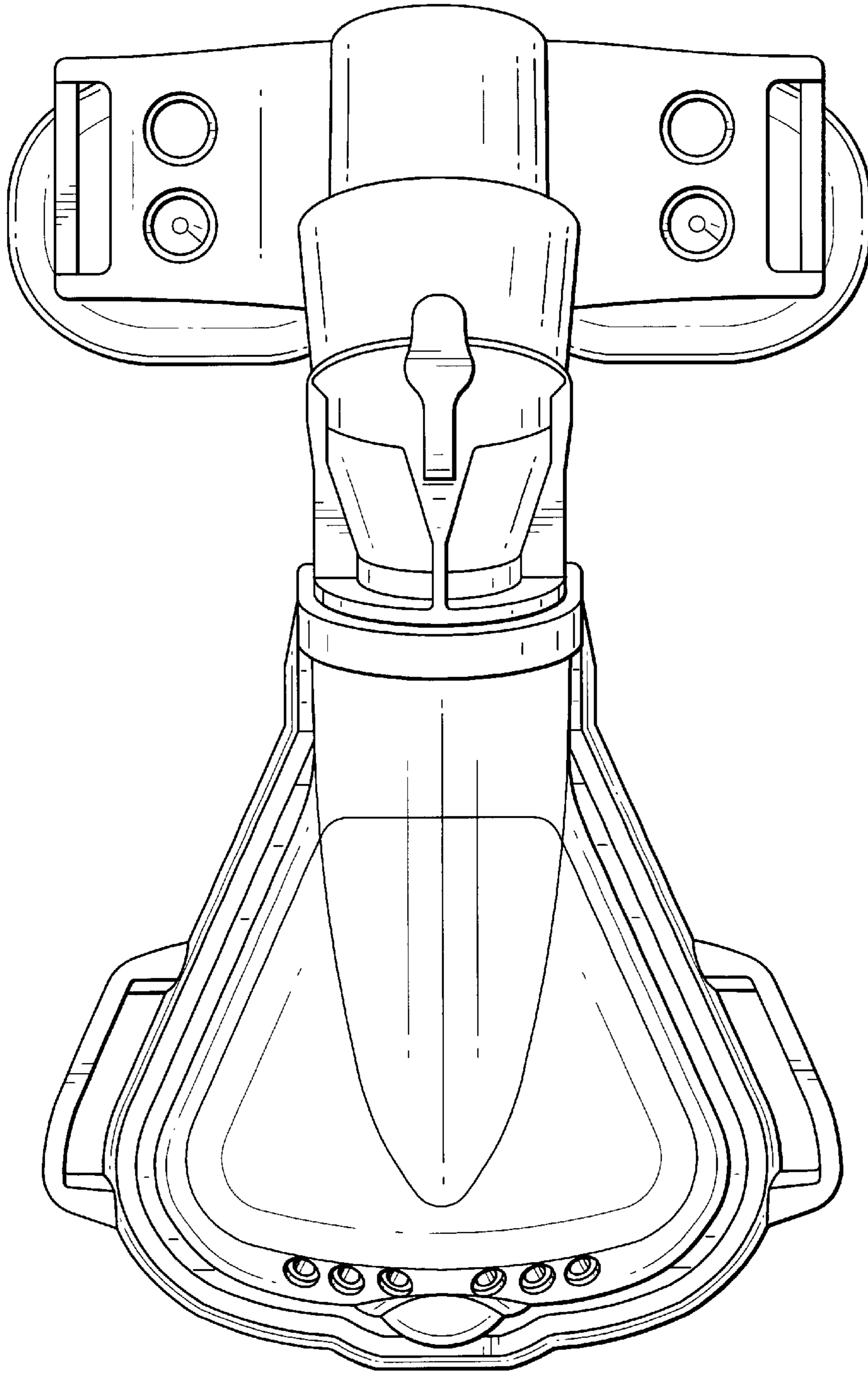


Fig. 3

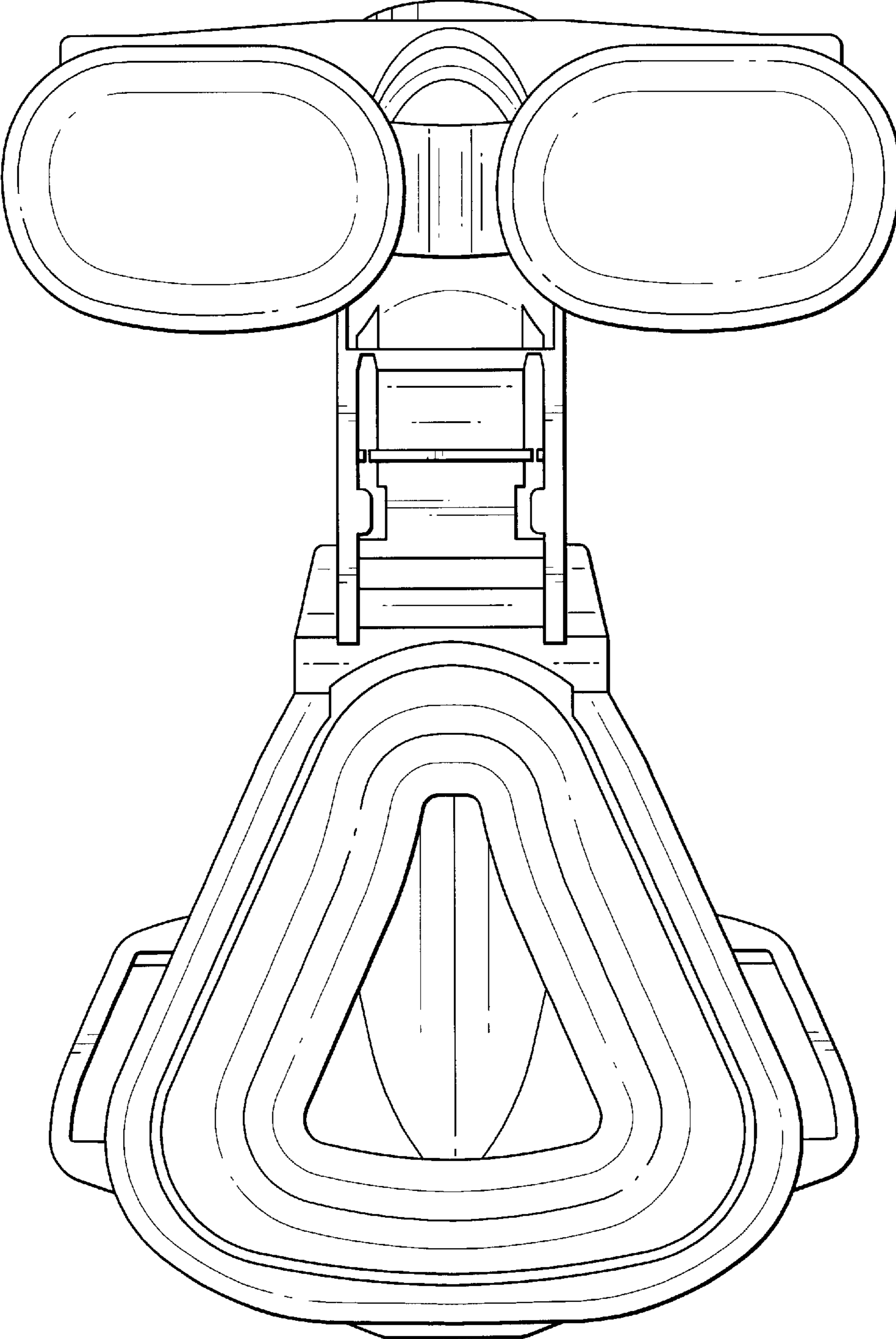


Fig. 4

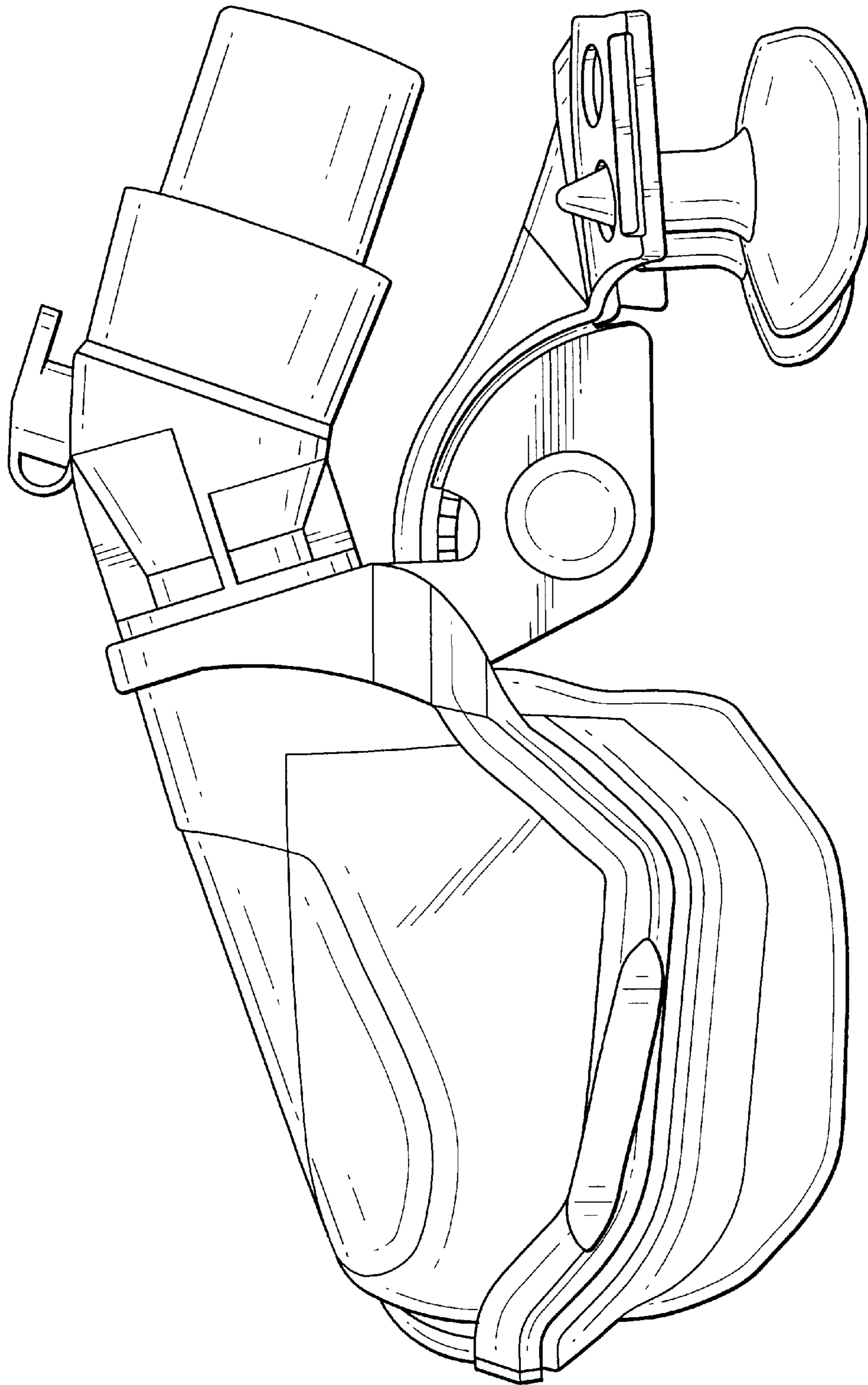


Fig. 5

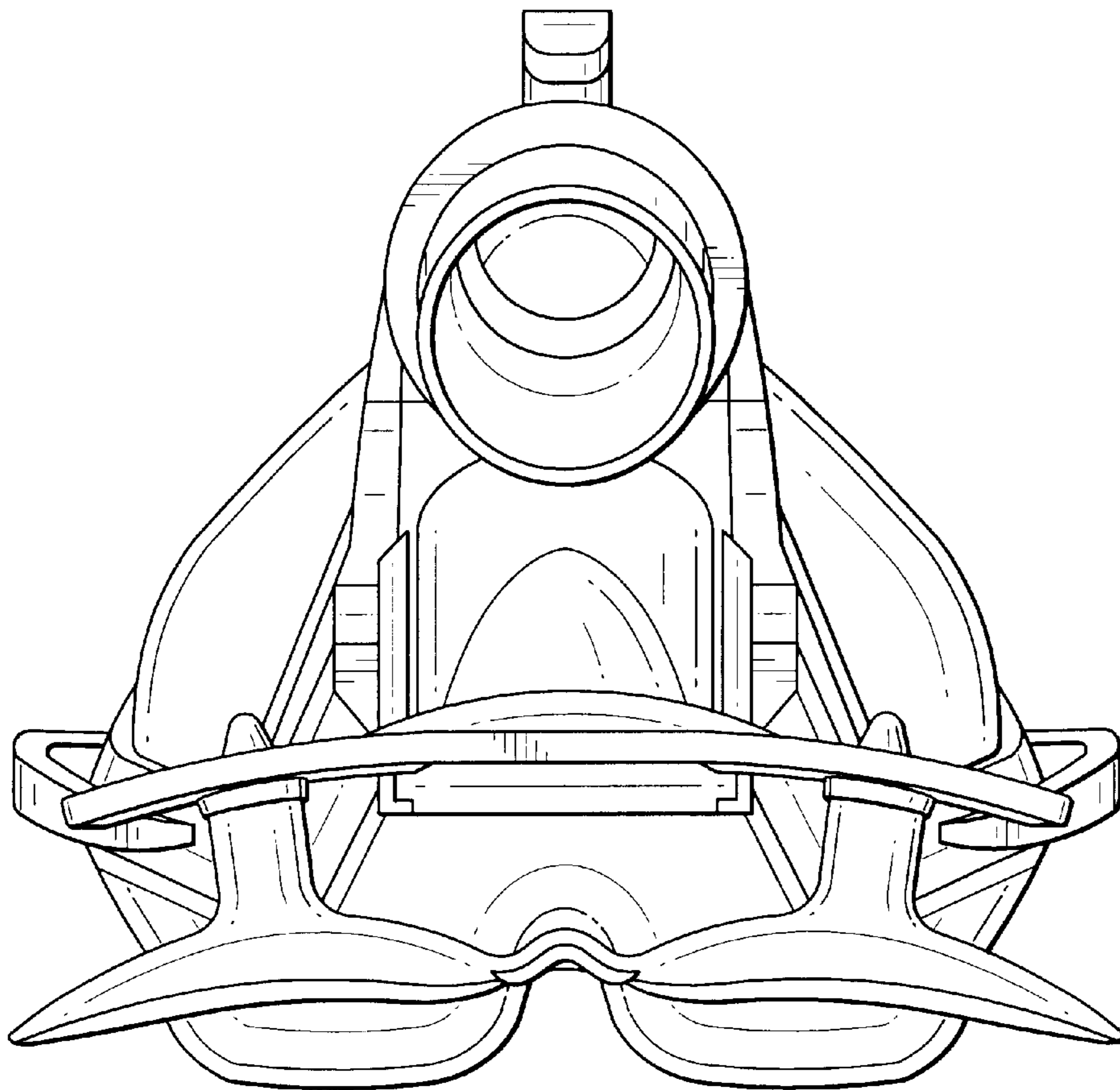


Fig. 6

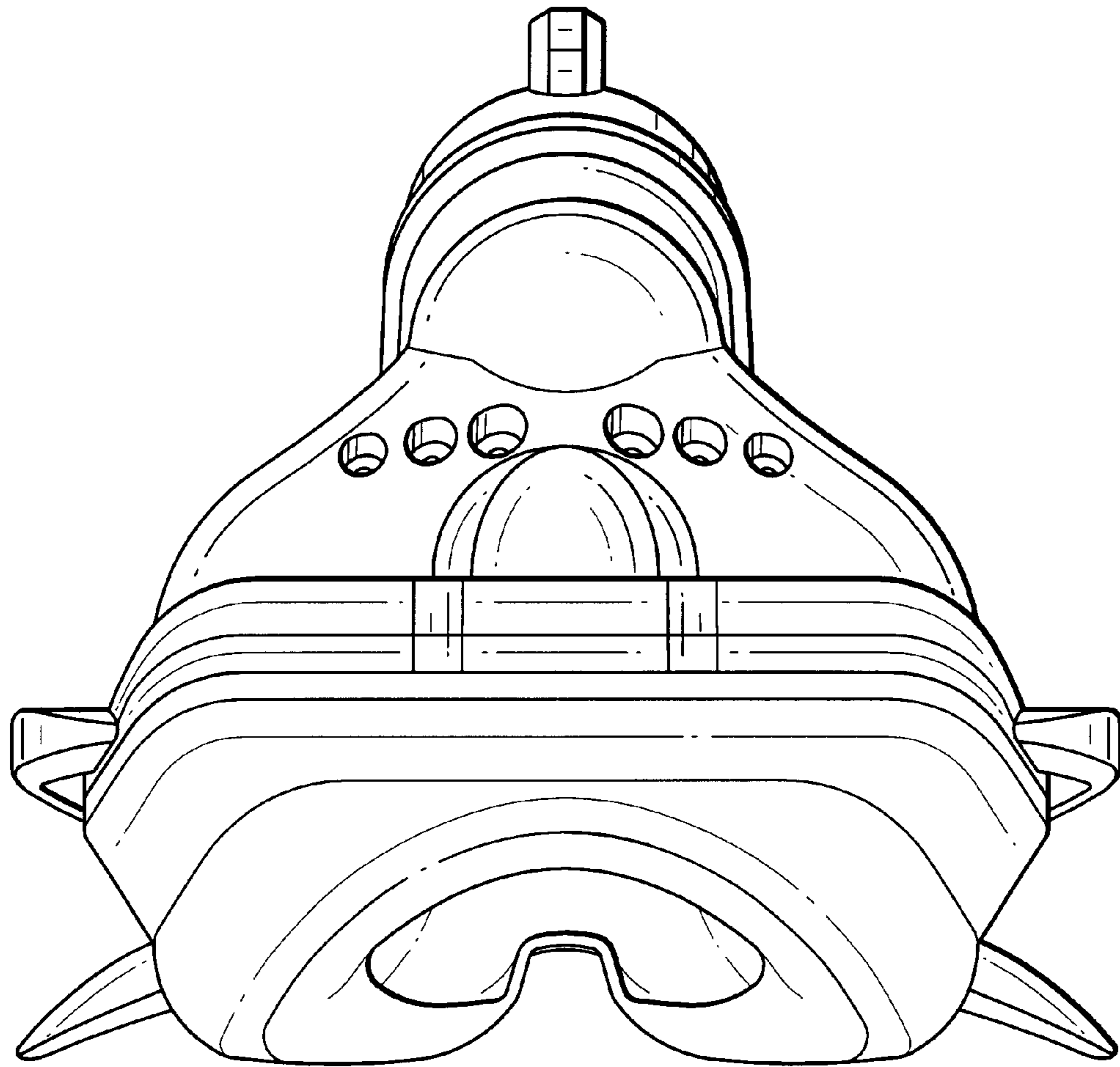


Fig. 7

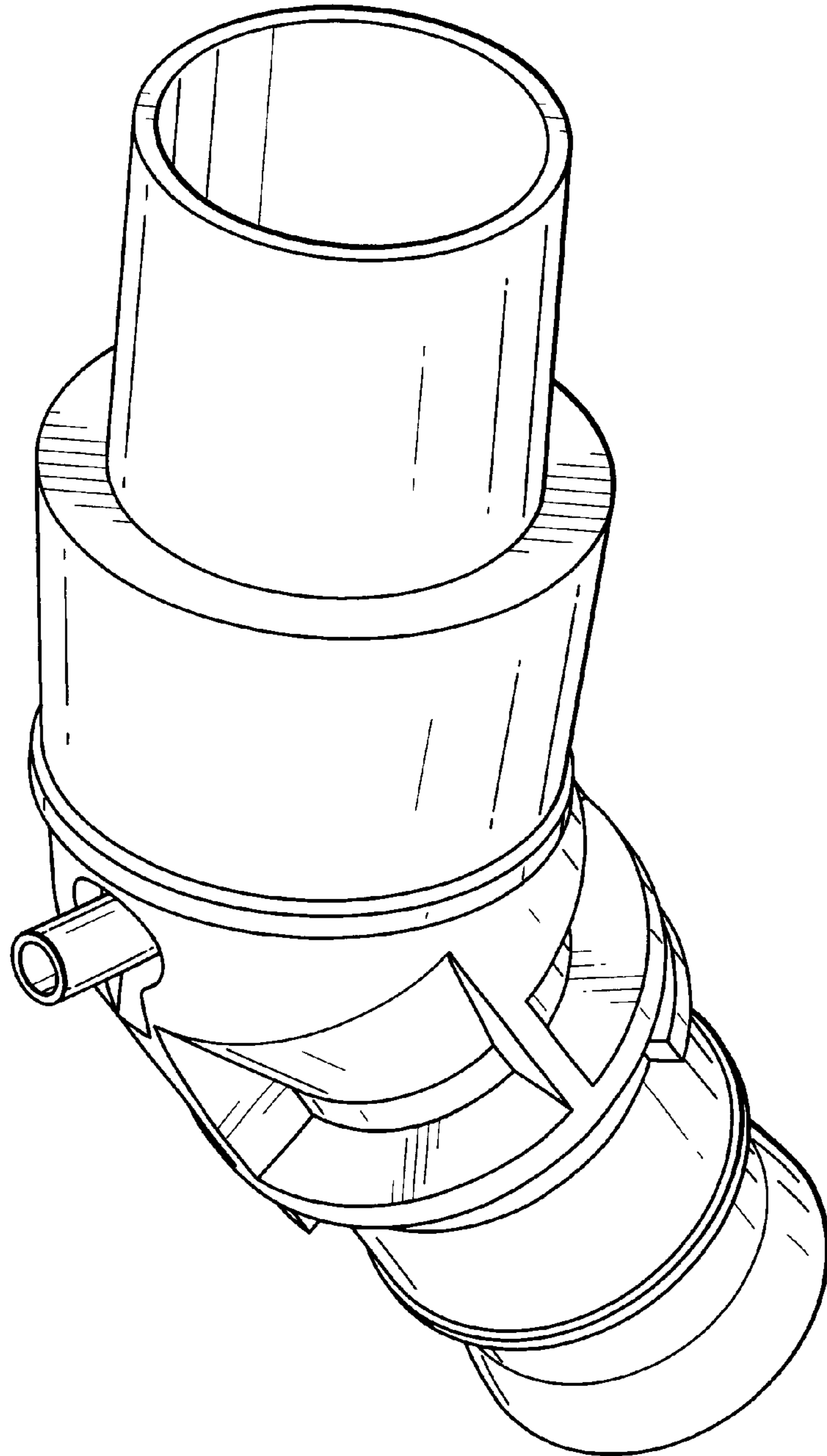


Fig. 8

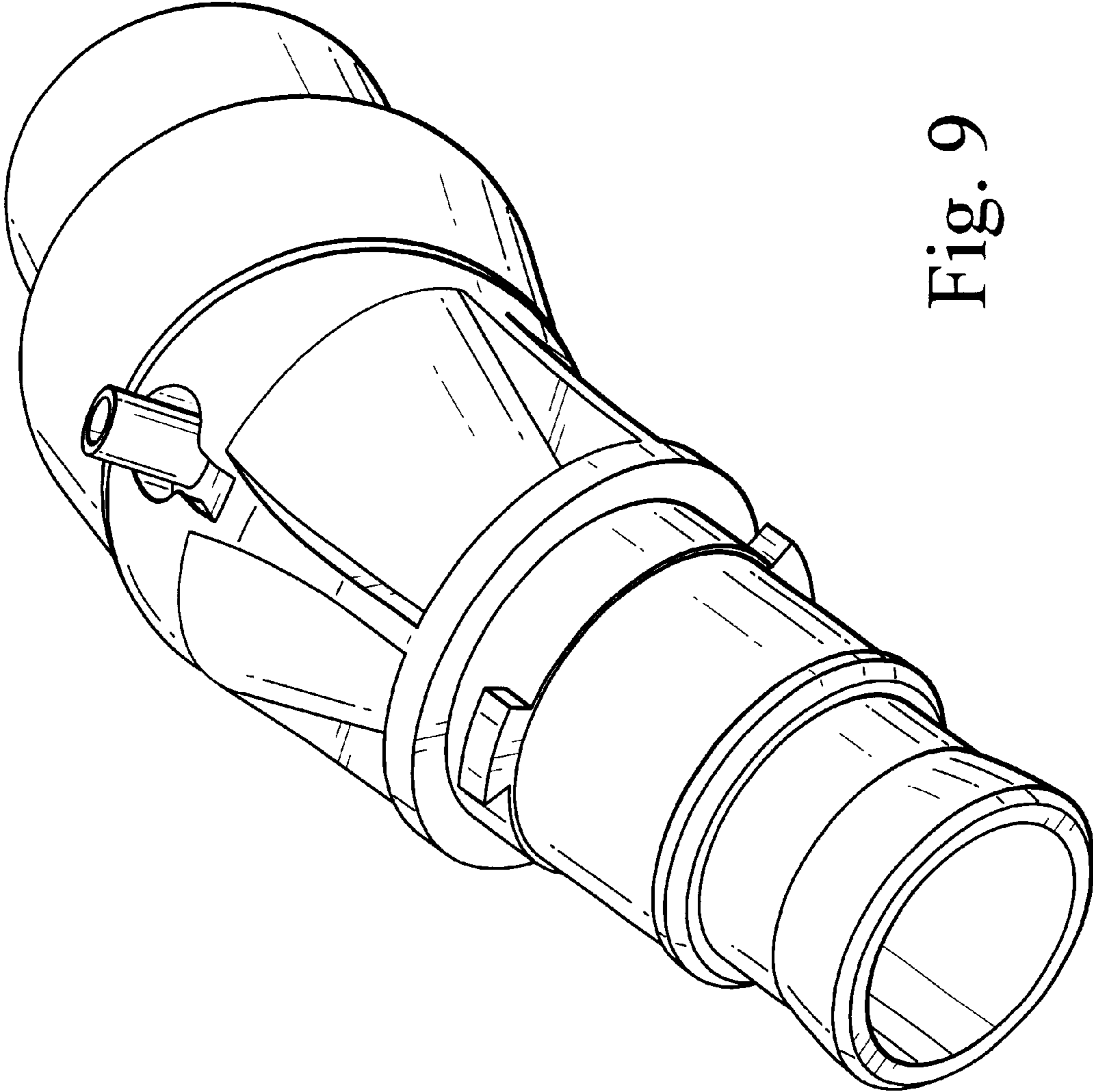


Fig. 9

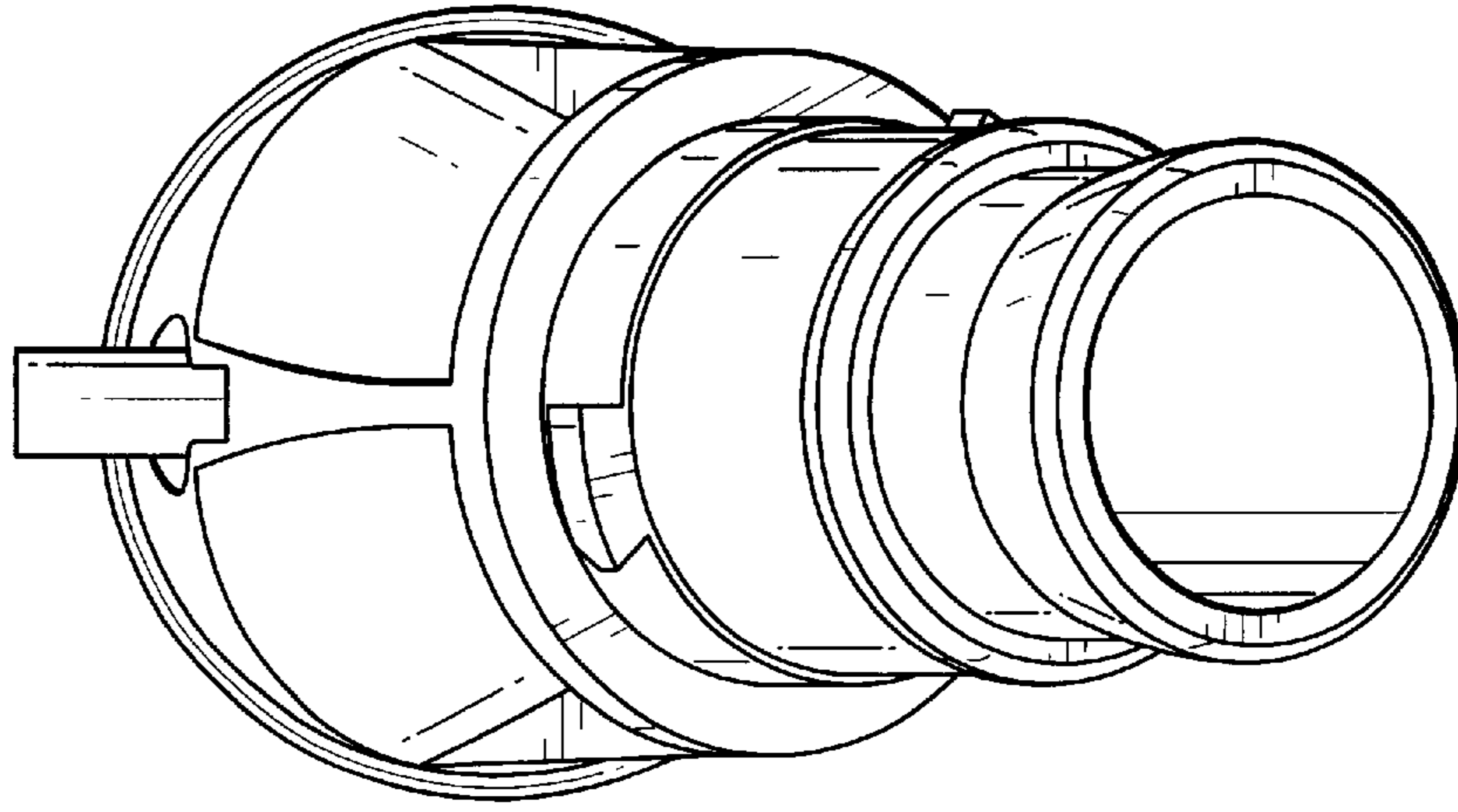


Fig. 11

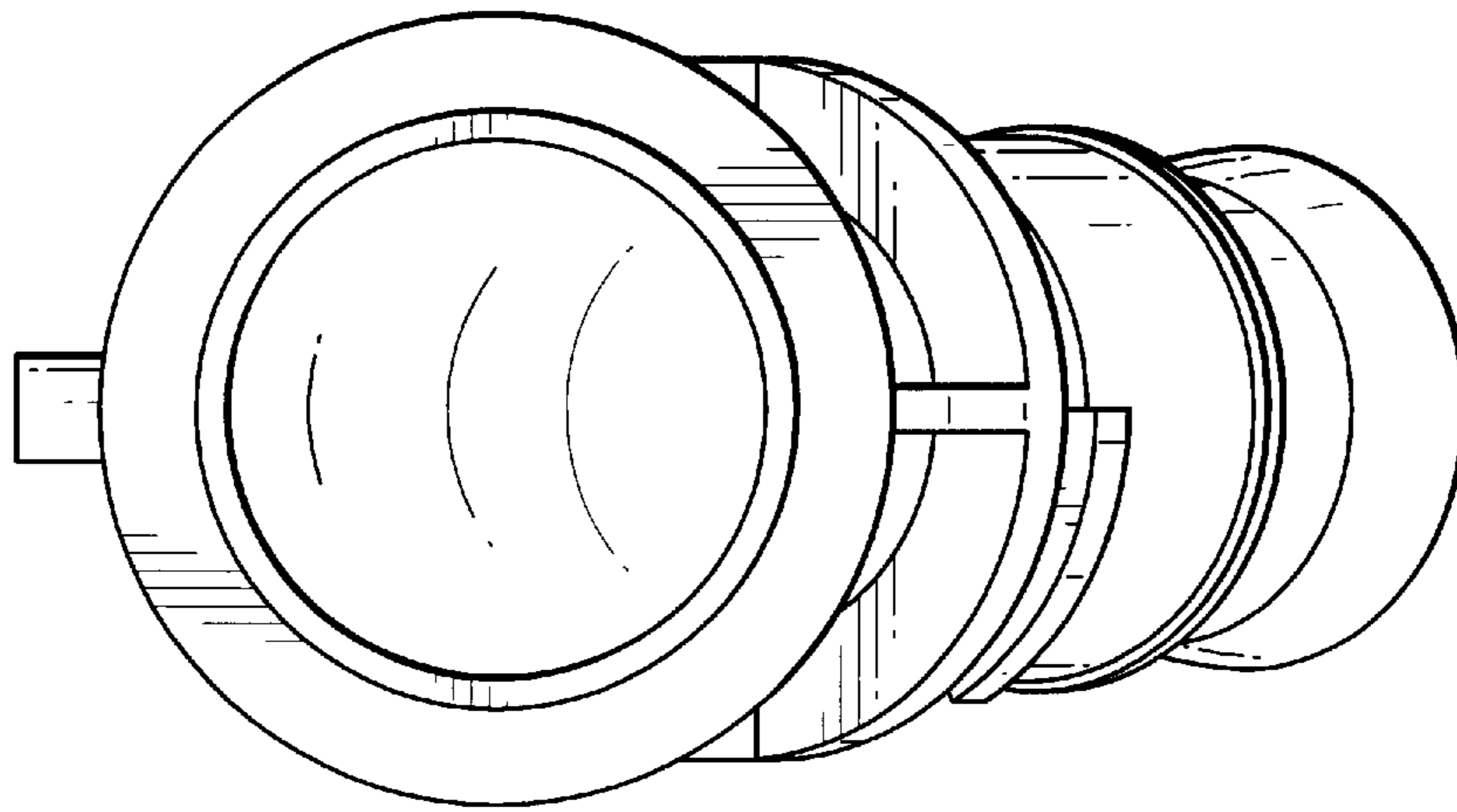


Fig. 10

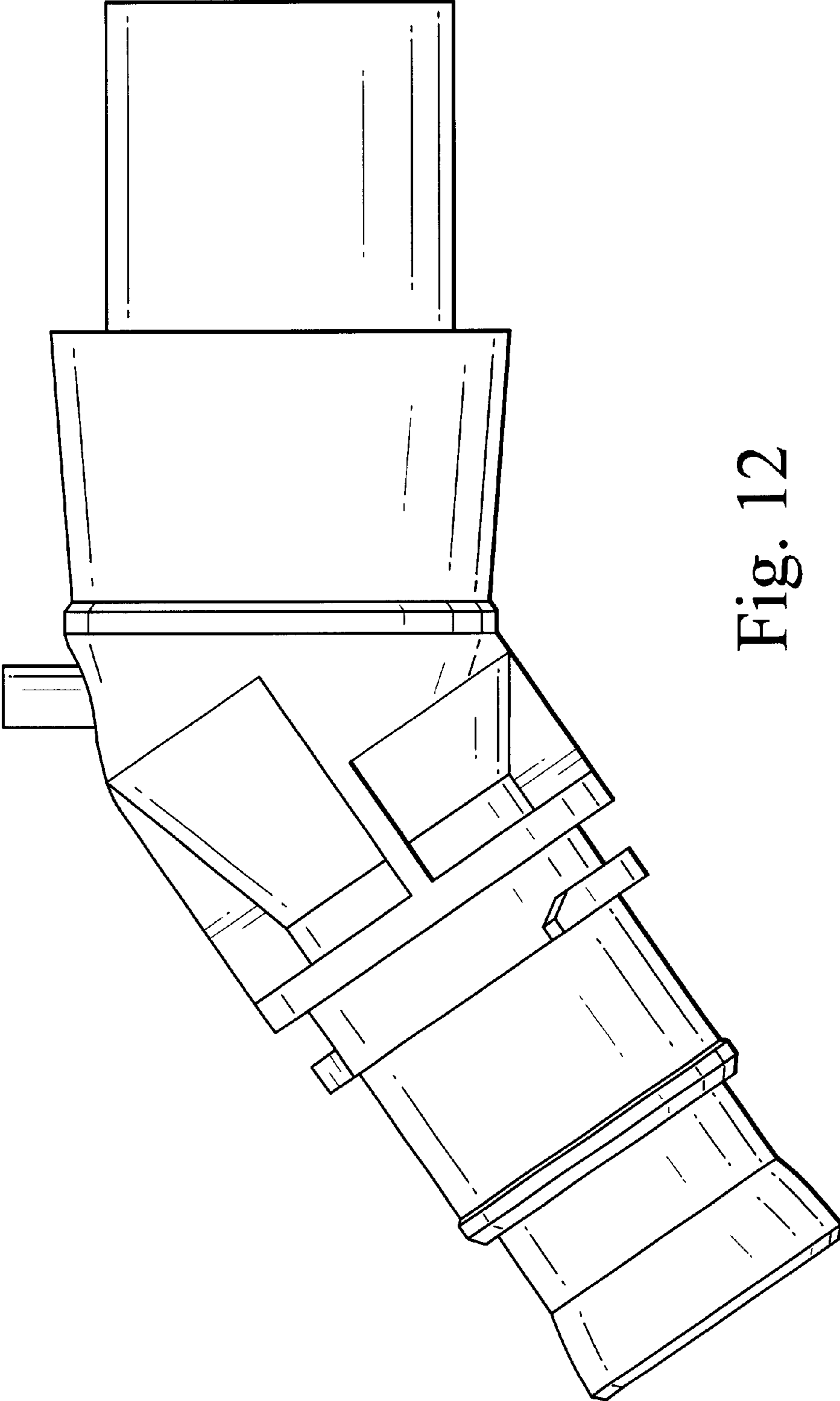


Fig. 12

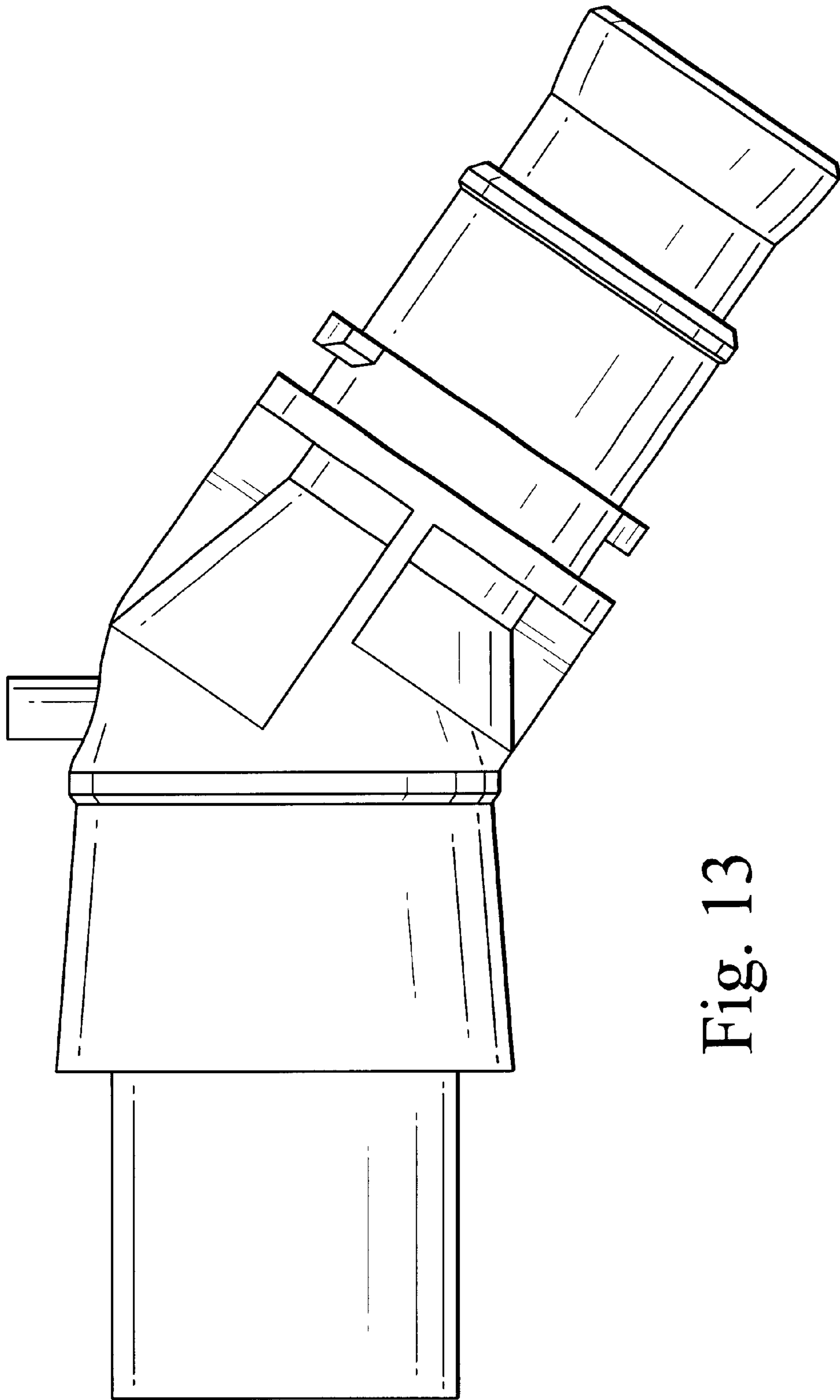


Fig. 13

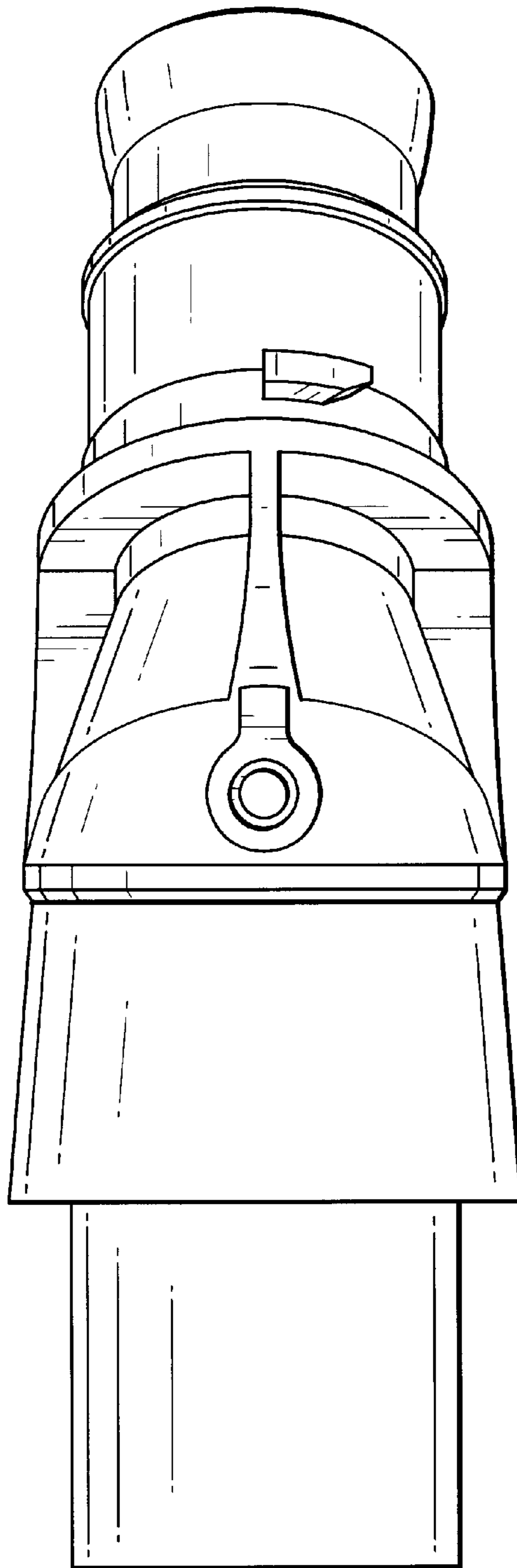


Fig. 14

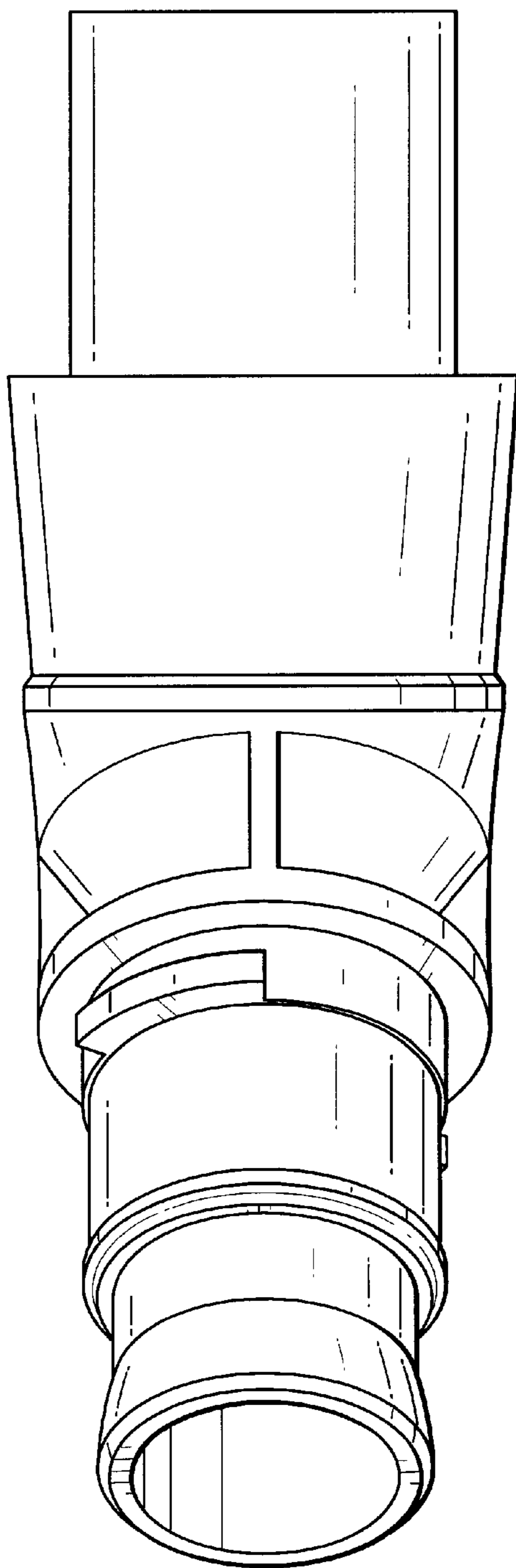


Fig. 15

UNITED STATES PATENT AND TRADEMARK OFFICE
CERTIFICATE OF CORRECTION

PATENT NO. : Des. 536,091 S
APPLICATION NO. : 29/224841
DATED : January 30, 2007
INVENTOR(S) : Biener et al.

Page 1 of 1

It is certified that error appears in the above-identified patent and that said Letters Patent is hereby corrected as shown below:

Title Page, Item (75) should read as follows

(75) Inventors: **Achim Biener**, Aufkirchen (DE);
Bernd Lang, Gräfelfing (DE)

Title Page, Item (73) should read as follows

(73) Assignee: **MAP Medizin-Technologie GmbH**,
Martinsried (DE)

Signed and Sealed this

Twenty-fourth Day of April, 2007

A handwritten signature in black ink on a dotted background. The signature reads "Jon W. Dudas" in a cursive style.

JON W. DUDAS

Director of the United States Patent and Trademark Office