



US00D536089S

(12) **United States Design Patent**
Magidson et al.

(10) **Patent No.:** **US D536,089 S**

(45) **Date of Patent:** **** Jan. 30, 2007**

(54) **EARPLUG**

(75) Inventors: **Mark Magidson**, Los Angeles, CA
(US); **Norman J Smith**, Los Angeles,
CA (US)

(73) Assignee: **Moldex-Metric, Inc.**, Culver City, CA
(US)

(**) **Term:** **14 Years**

(21) Appl. No.: **29/215,609**

(22) Filed: **Oct. 21, 2004**

(51) **LOC (8) Cl.** **24-04**

(52) **U.S. Cl.** **D24/106**

(58) **Field of Classification Search** D24/106;
128/860, 864, 865, 867; 181/130, 135
See application file for complete search history.

(56) **References Cited**

U.S. PATENT DOCUMENTS

D427,304 S * 6/2000 Magidson et al. D24/106

D435,645 S * 12/2000 Westerdal D24/106
D436,164 S * 1/2001 Foslien D24/106
D493,219 S * 7/2004 Falco D24/106

* cited by examiner

Primary Examiner—Ian Simmons

Assistant Examiner—Christopher Lee

(74) *Attorney, Agent, or Firm*—Charles H. Schwartz

(57) **CLAIM**

We claim; the ornamental design for an earplug, as shown and described.

DESCRIPTION

FIG. 1 is a back perspective view of an earplug according to our new design;

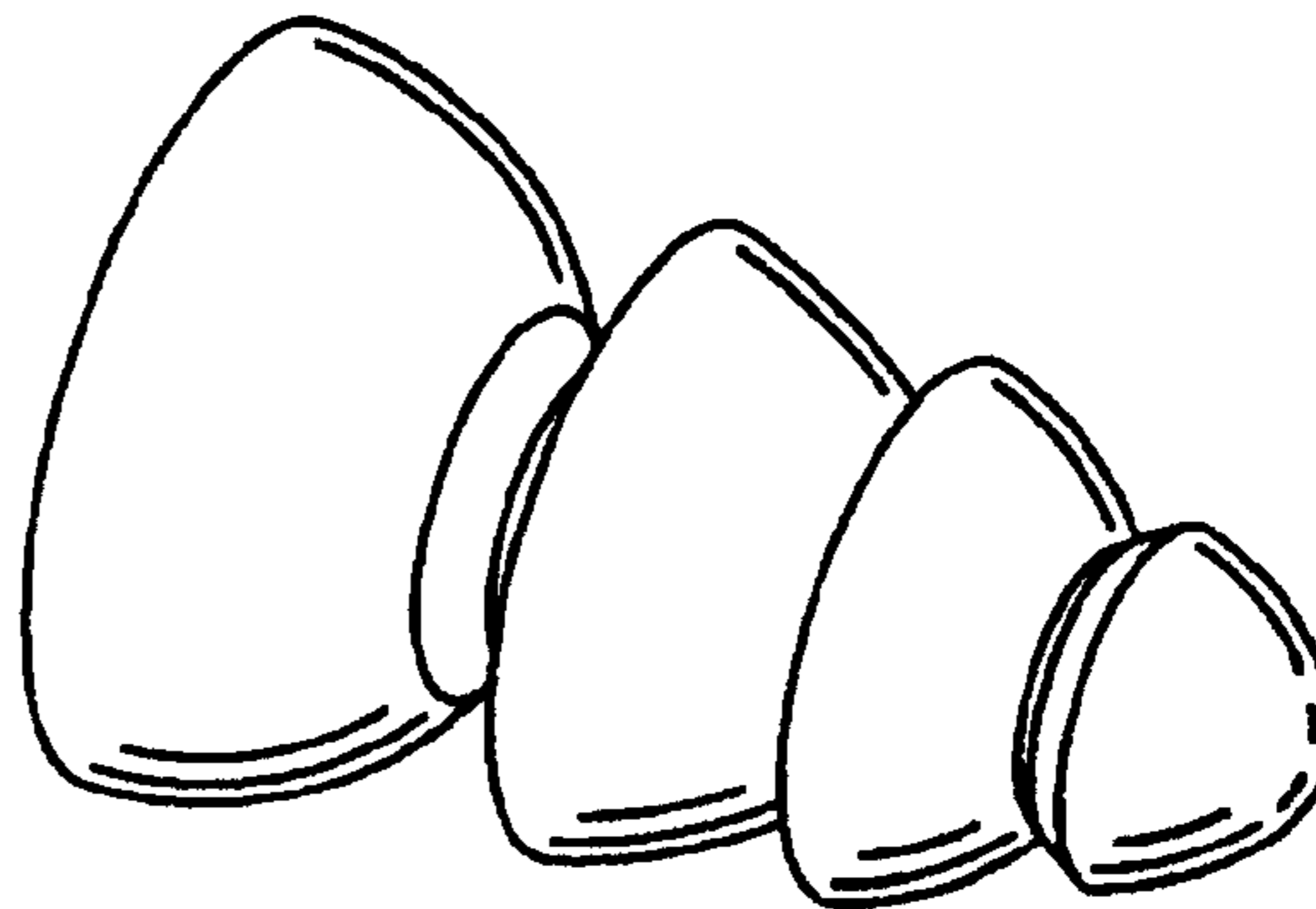
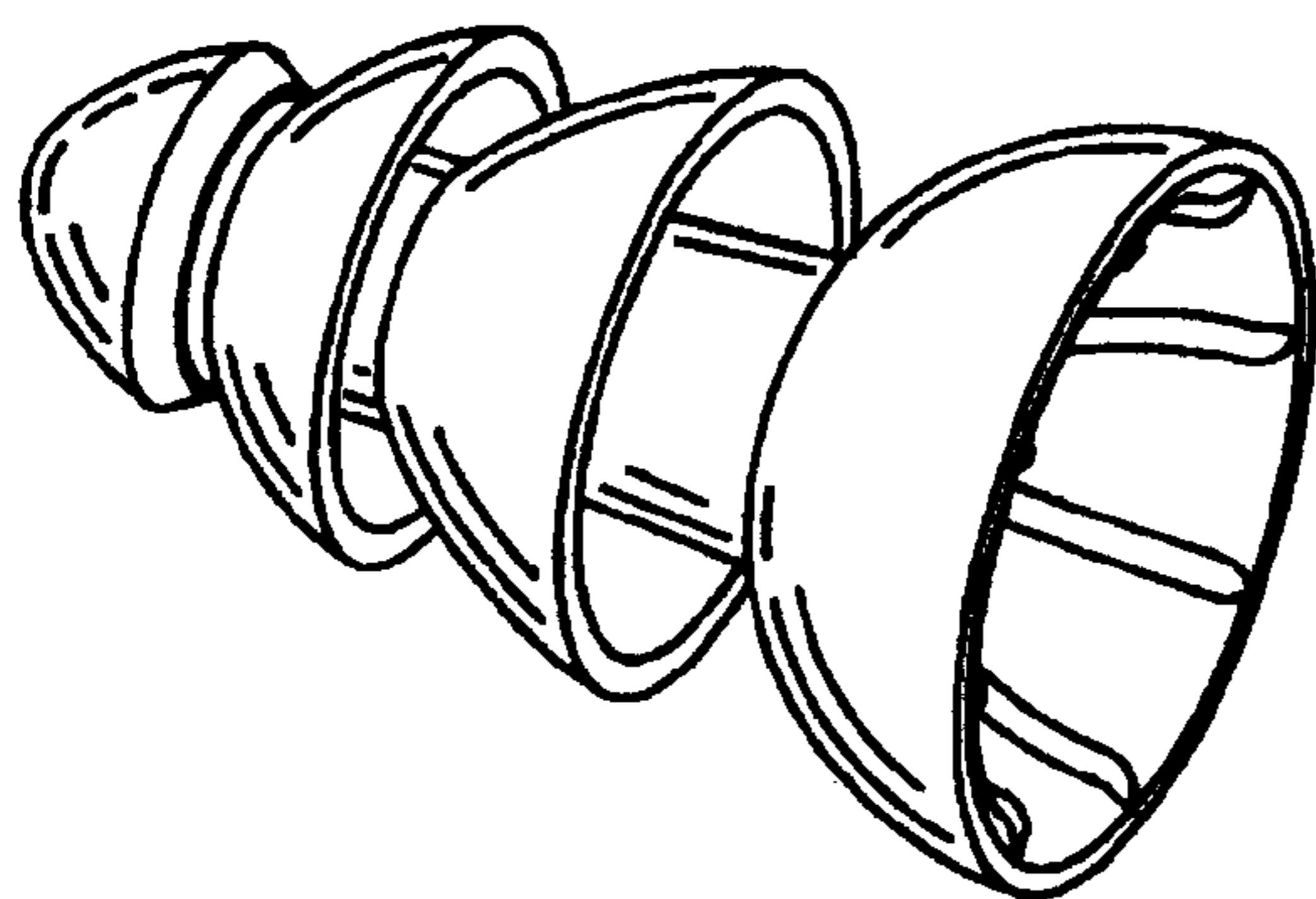
FIG. 2 is a front perspective view thereof,

FIG. 3 is a top plan view thereof,

FIG. 4 is a front elevational view thereof; and,

FIG. 5 is a bottom plan view thereof.

1 Claim, 1 Drawing Sheet



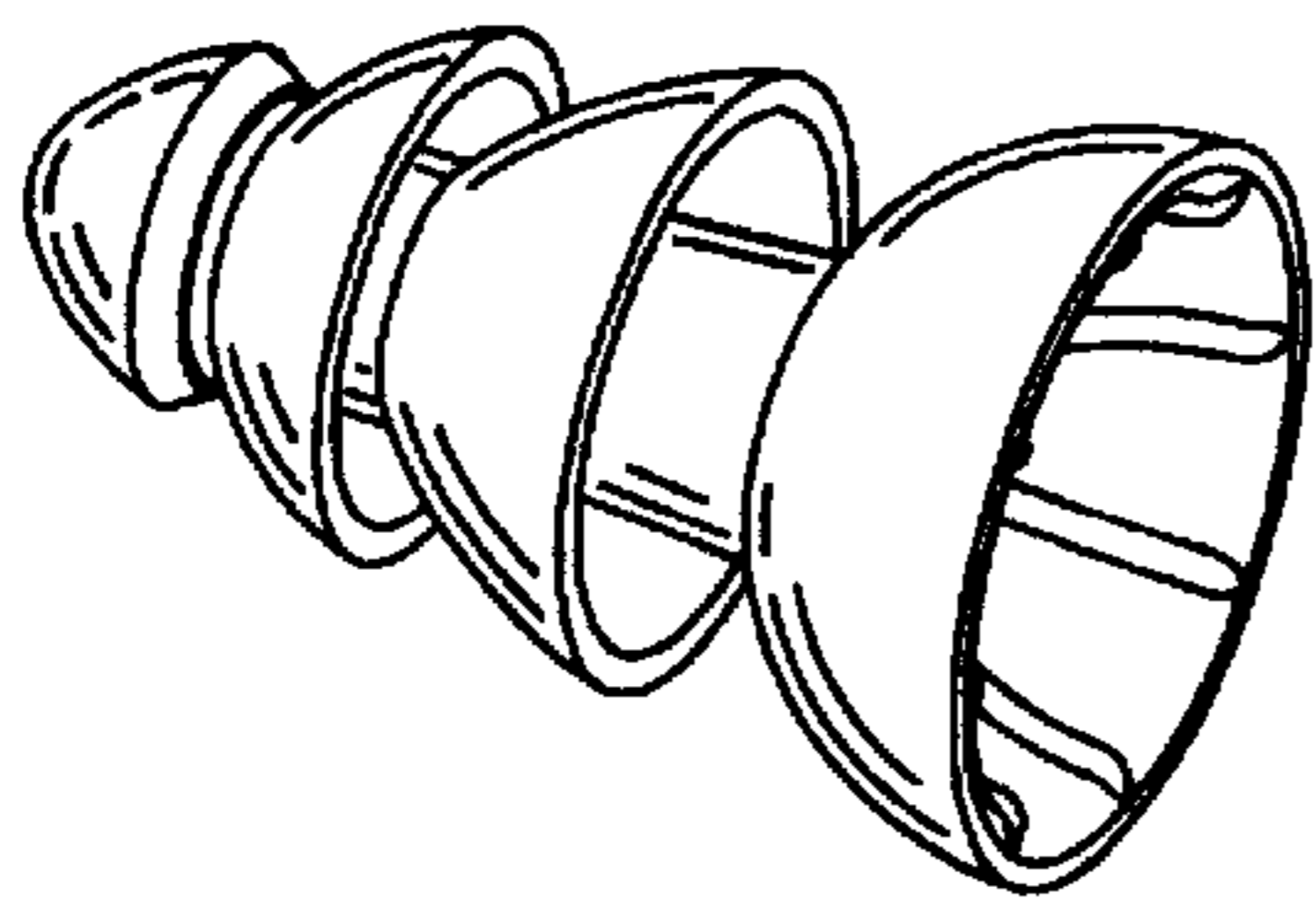


Fig. 1

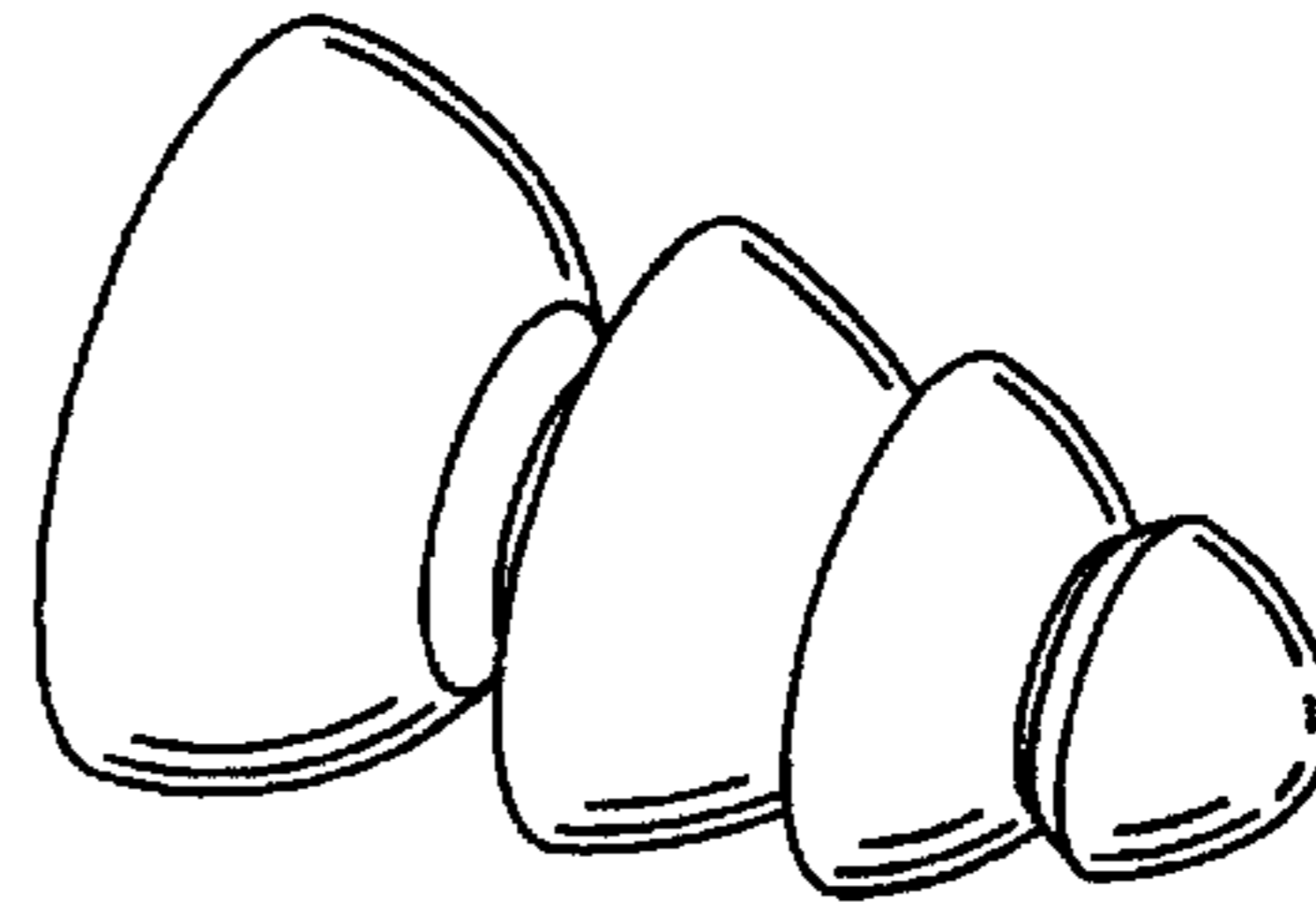


Fig. 2

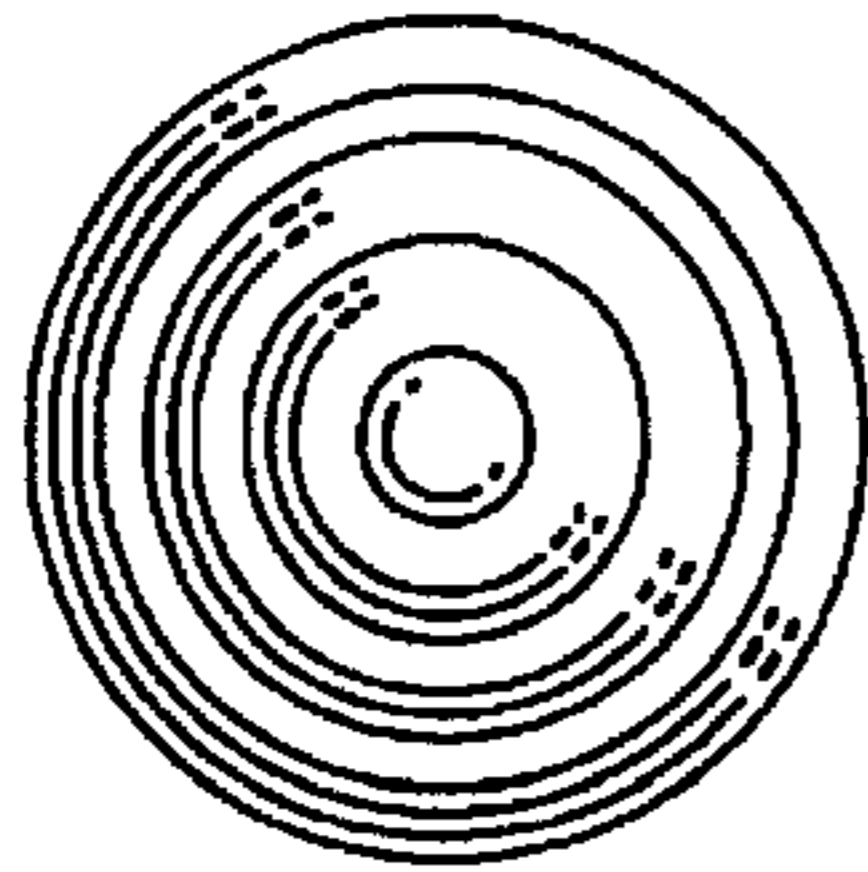


Fig. 3

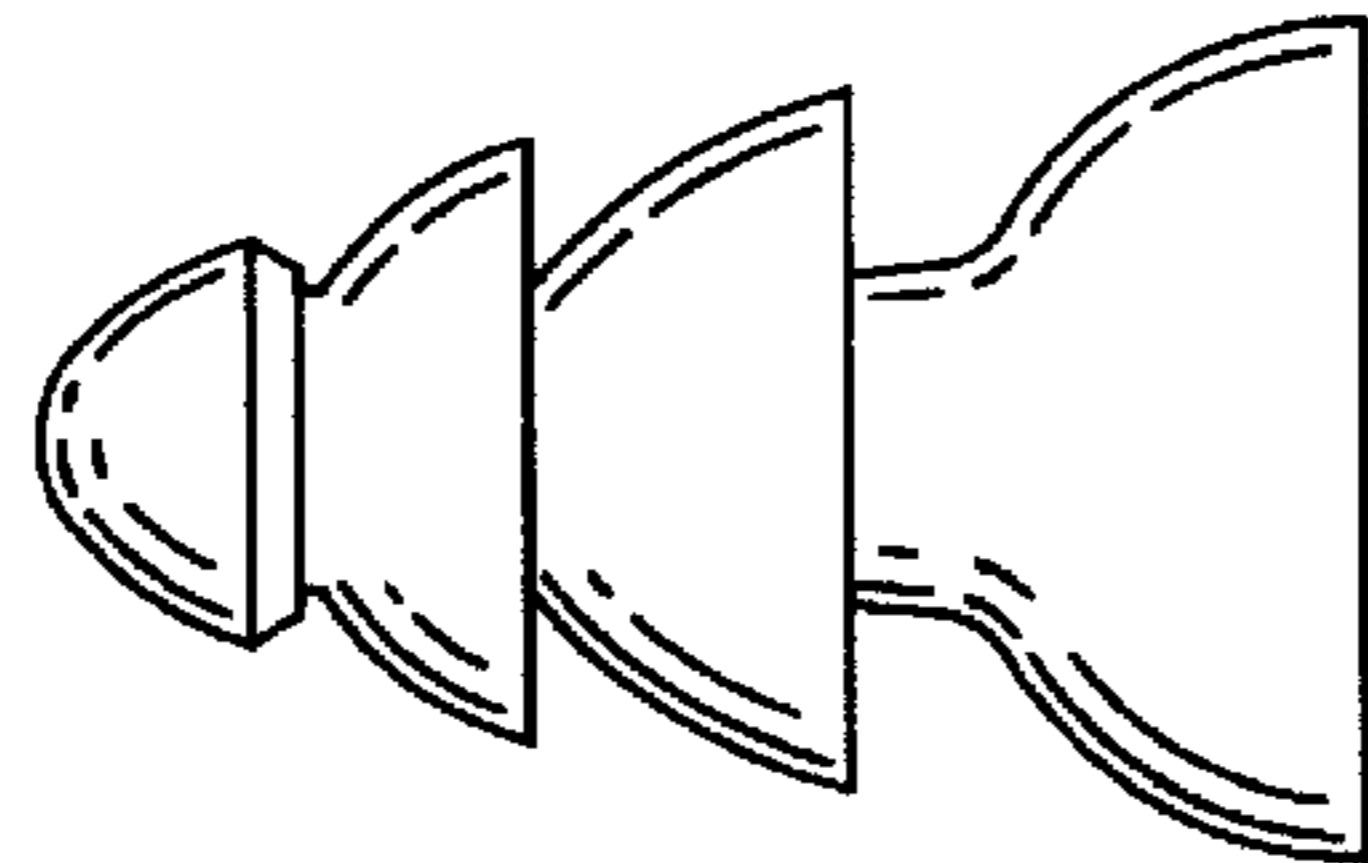


Fig. 4

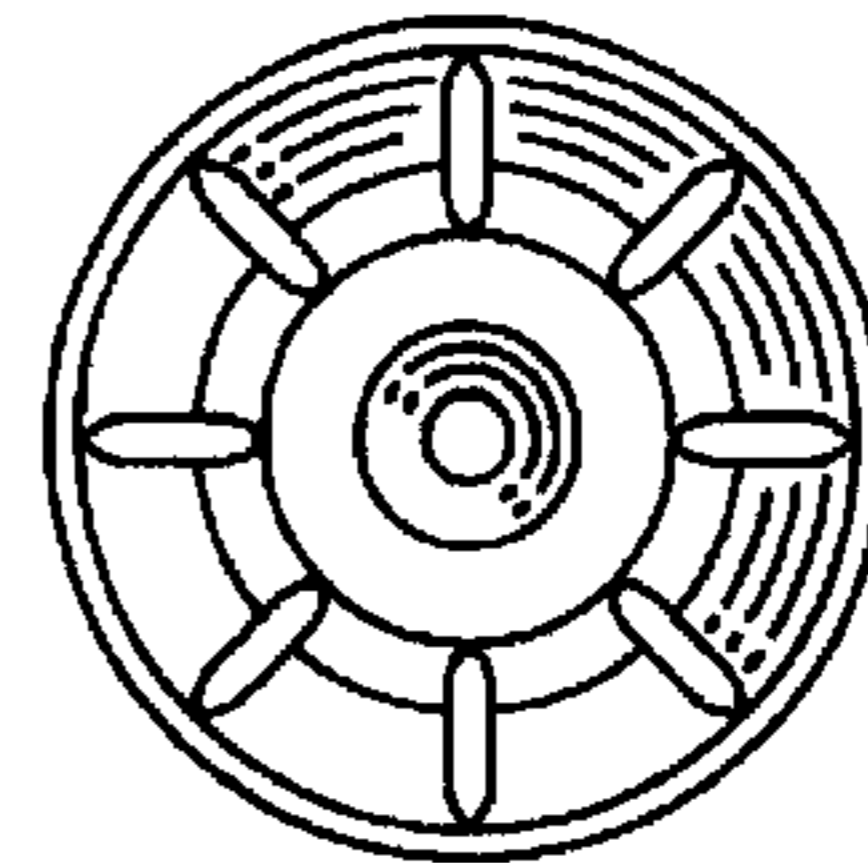


Fig. 5