



US00D536088S

(12) **United States Design Patent** (10) **Patent No.:** **US D536,088 S**  
**Pickett** (45) **Date of Patent:** **\*\* Jan. 30, 2007**

(54) **FAN BLADE BRACKET**

(76) Inventor: **Mark Pickett**, 1419 E. Palm St., Altadena, CA (US) 91001

(\*\*) Term: **14 Years**

(21) Appl. No.: **29/257,332**

(22) Filed: **Apr. 3, 2006**

(51) **LOC (8) Cl.** ..... **23-04**

(52) **U.S. Cl.** ..... **D23/411**

(58) **Field of Classification Search** ..... D23/377, D23/379, 385, 411, 413; 416/5  
See application file for complete search history.

(56) **References Cited**

**U.S. PATENT DOCUMENTS**

D382,955 S	*	8/1997	Liu	.....	D23/411
D481,455 S	*	10/2003	Young	.....	D23/411
D518,567 S	*	4/2006	Hidalgo	.....	D23/411

\* cited by examiner

*Primary Examiner*—Lisa Lichtenstein  
(74) *Attorney, Agent, or Firm*—Parsons & Goltry; Michael W. Goltry; Robert A. Parsons

(57) **CLAIM**

The ornamental design for a fan blade bracket, as shown and described.

**DESCRIPTION**

FIG. 1 is a bottom perspective view of a fan blade bracket showing my new design;  
FIG. 2 is a top perspective view thereof;  
FIG. 3 is a top plan view thereof;  
FIG. 4 is a bottom plan view thereof;  
FIG. 5 is a right side elevational view thereof;  
FIG. 6 is a left side elevational view thereof;  
FIG. 7 is a front elevational view thereof; and,  
FIG. 8 is a rear elevational view thereof.  
The broken lines in the views show environmental features, which are for illustrative purposes only and form no part of the claimed design.

**1 Claim, 4 Drawing Sheets**

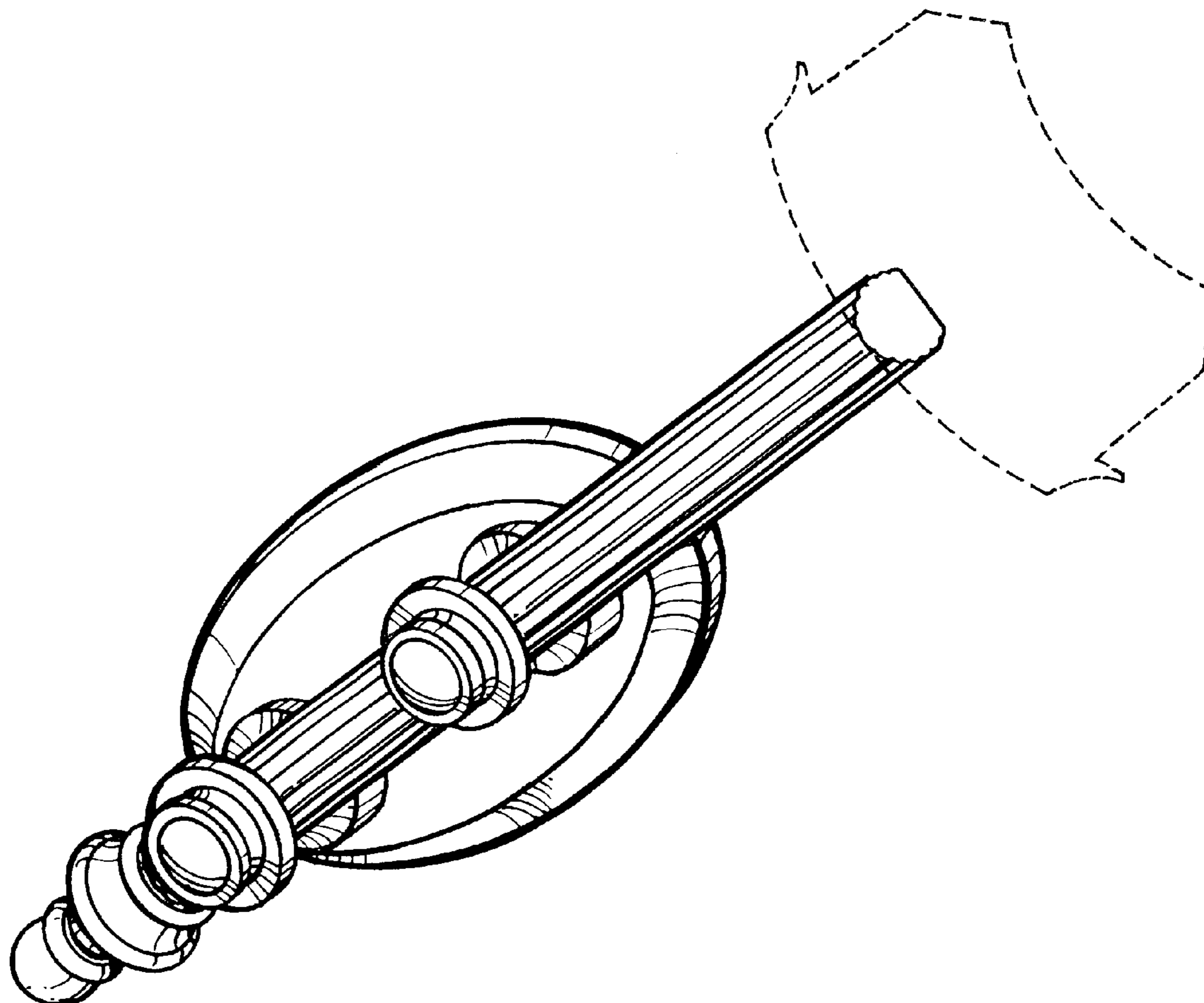


FIGURE 2

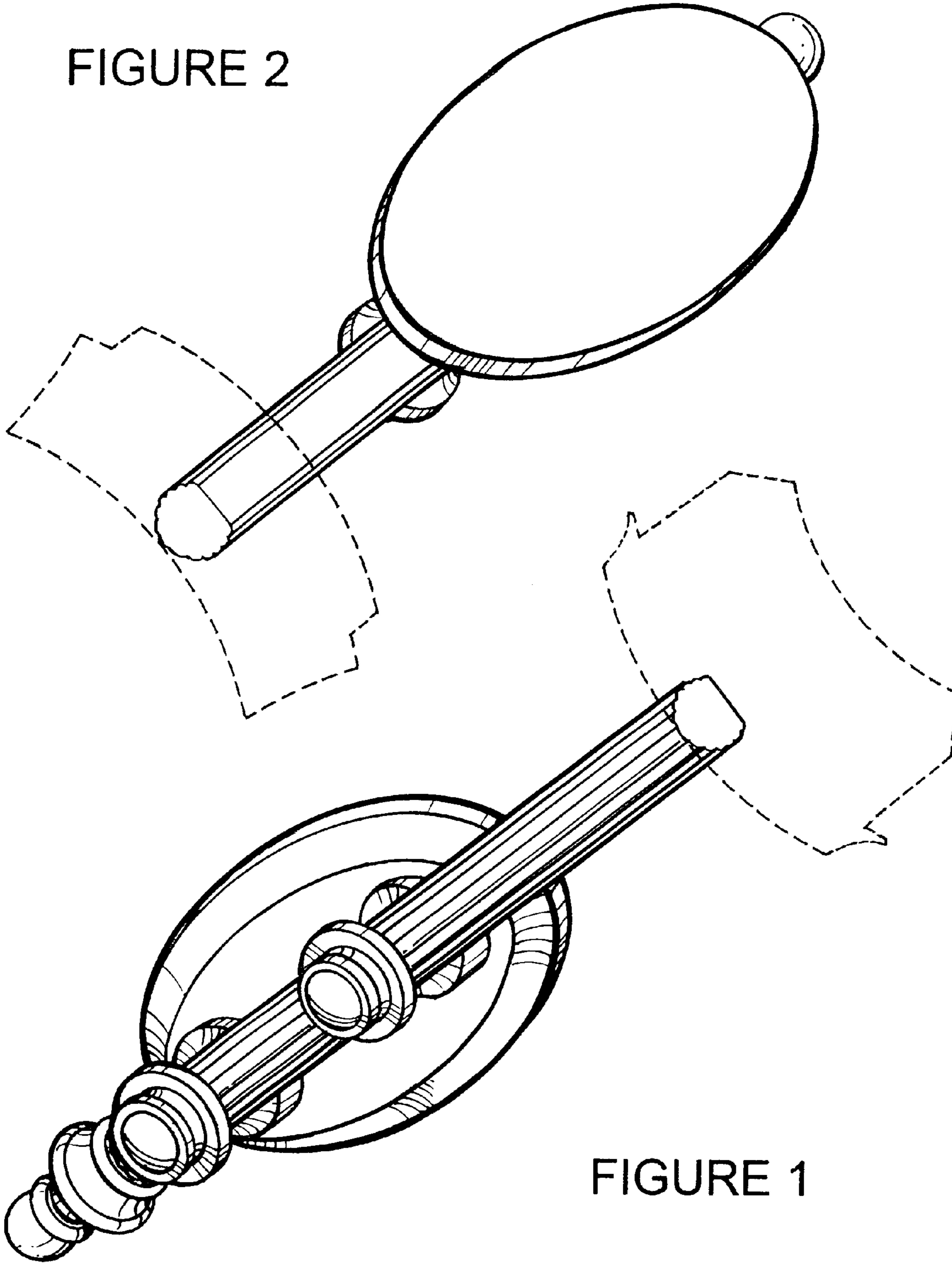


FIGURE 1

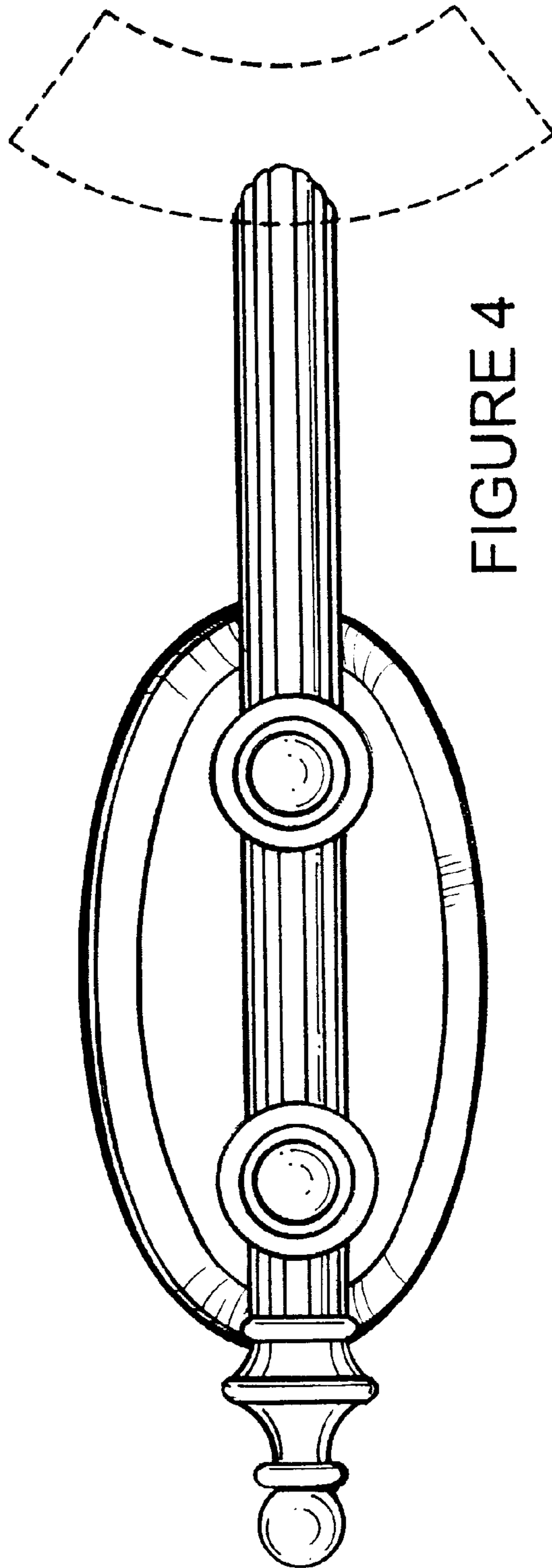
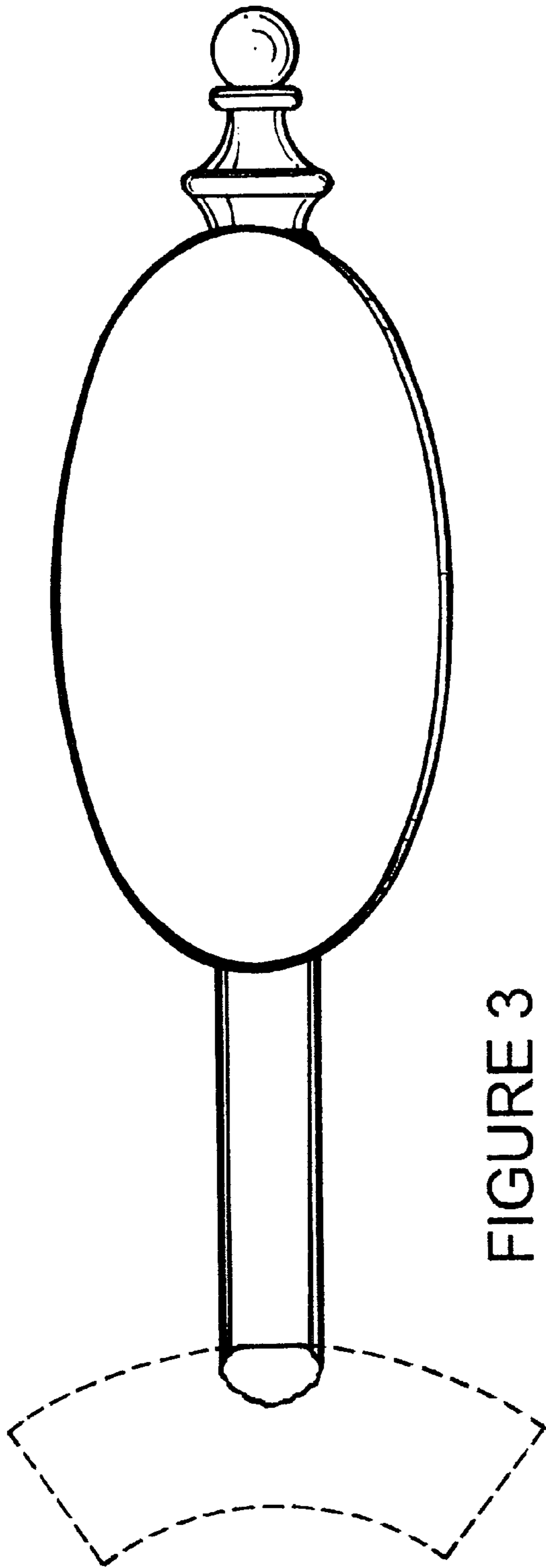


FIGURE 5

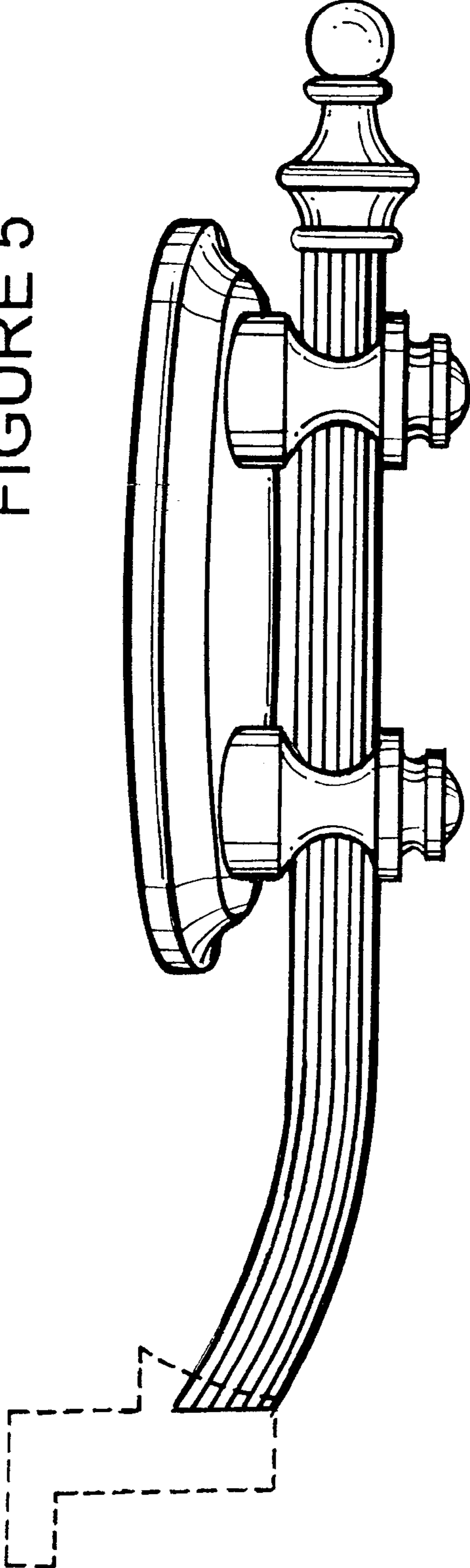
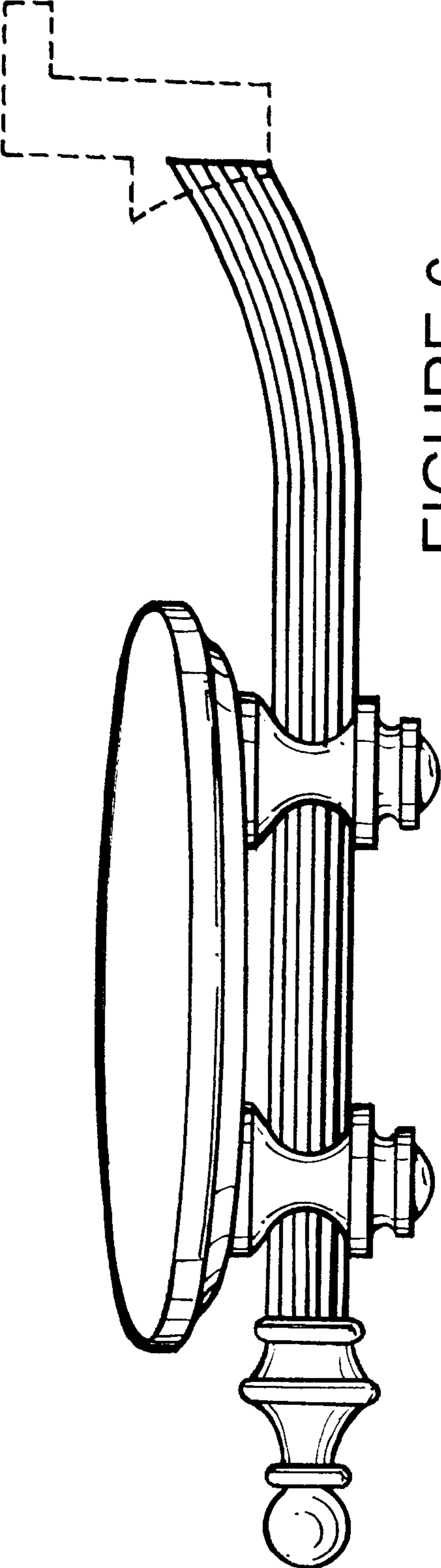


FIGURE 6



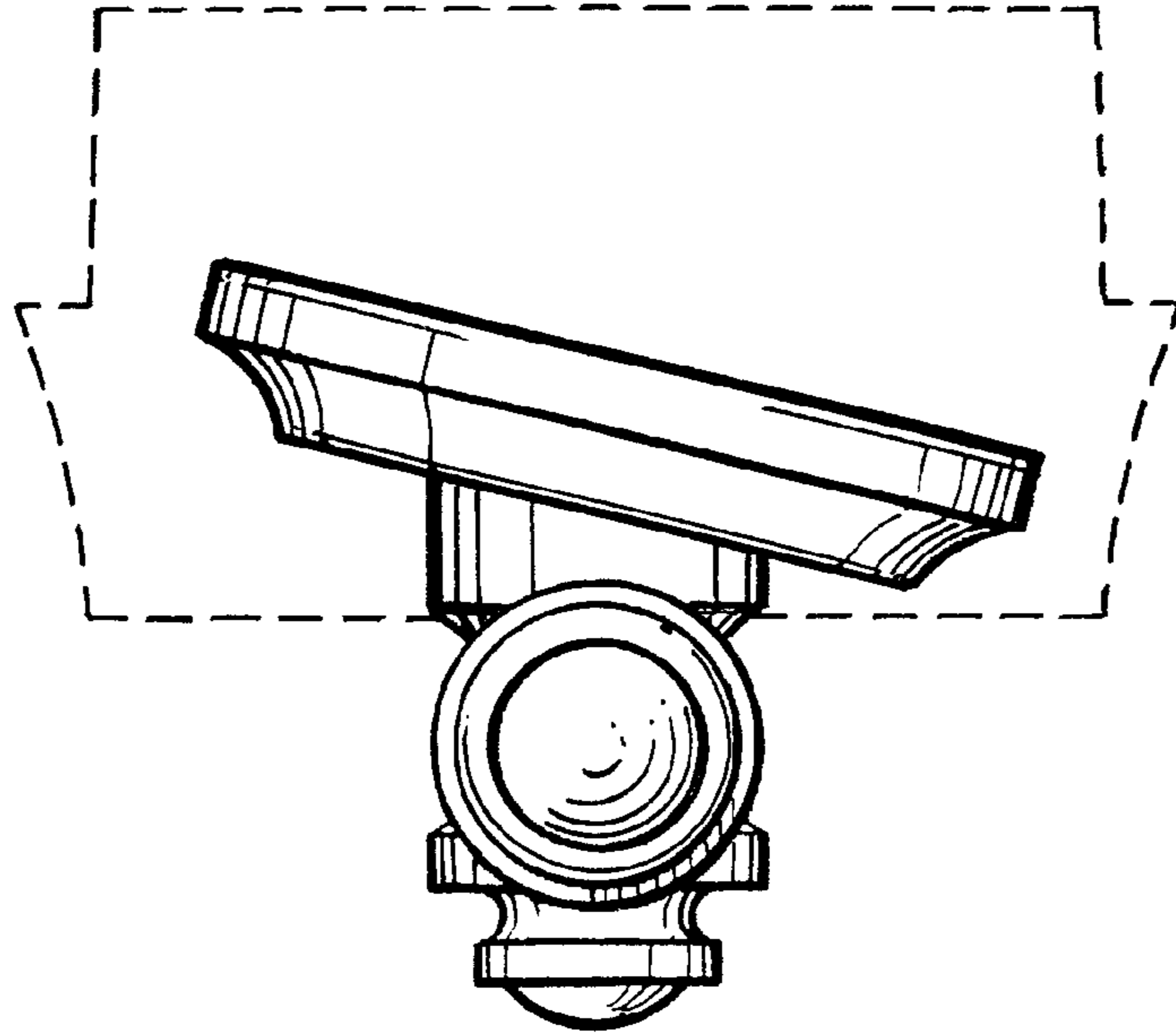


FIGURE 7

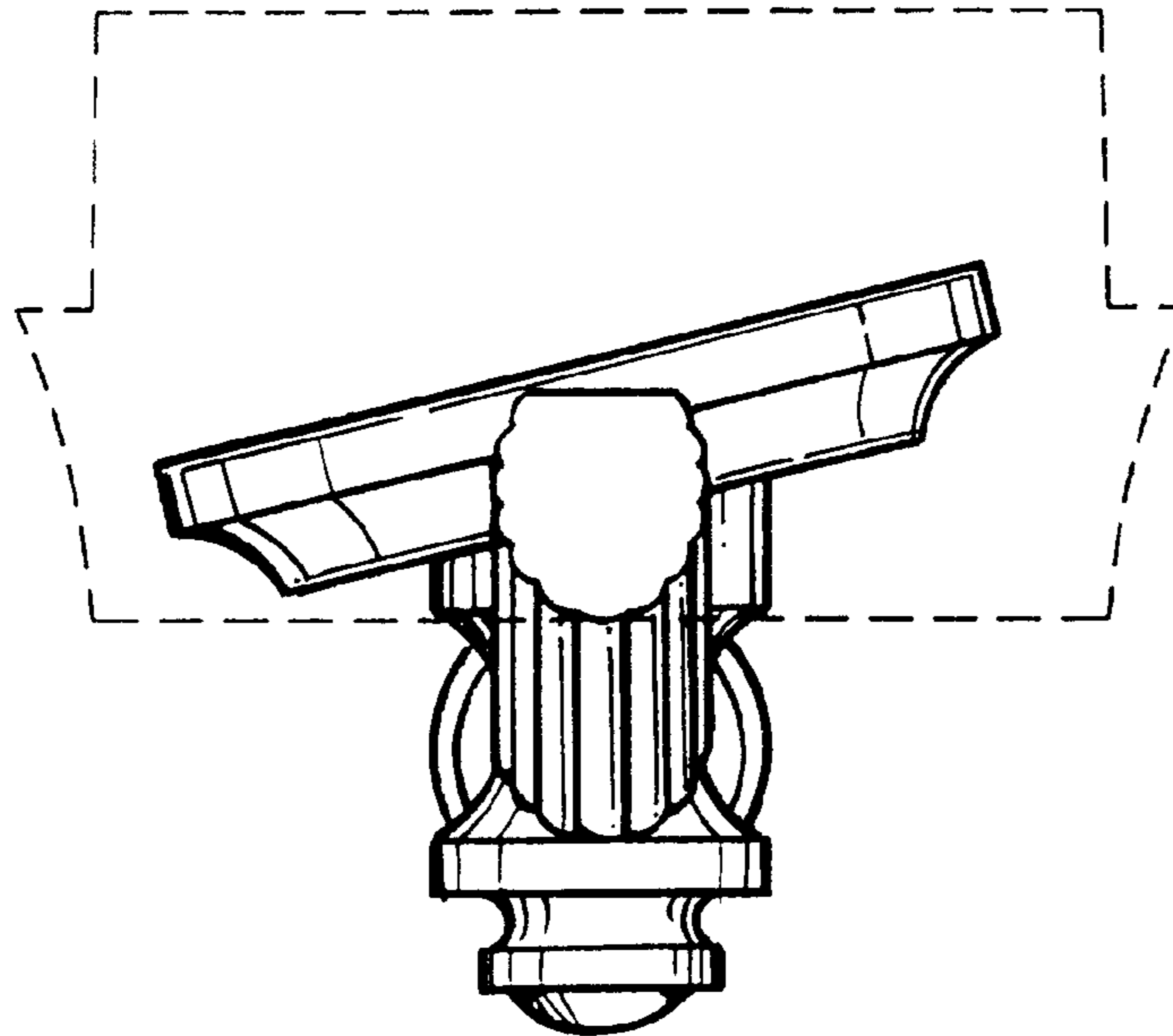


FIGURE 8