



US00D536086S

(12) **United States Design Patent**
Pan

(10) **Patent No.:** **US D536,086 S**

(45) **Date of Patent:** **** Jan. 30, 2007**

(54) **COMBINED CEILING FAN MOTOR HOUSING AND LIGHT KIT**

D424,680 S * 5/2000 Wenzlick D23/377

* cited by examiner

(75) Inventor: **Peter Pan**, Taichung Hsien (TW)

Primary Examiner—Lisa Lichtenstein

(73) Assignee: **Air Cool Industrial Co., Ltd.**,
Taichung Hsien (TW)

(74) *Attorney, Agent, or Firm*—Troxell Law Office, PLLC

(**) Term: **14 Years**

(57) **CLAIM**

I claim the ornamental design for a combined ceiling fan motor housing and light kit, as shown and described.

(21) Appl. No.: **29/254,016**

DESCRIPTION

(22) Filed: **Feb. 16, 2006**

(51) **LOC (8) Cl.** **23-04**

FIG. 1 is a front perspective view of a combined ceiling fan motor housing and light kit showing my new design;

FIG. 2 is a front elevational view thereof;

FIG. 3 is a rear elevational view thereof.

(52) **U.S. Cl.** **D23/411**

FIG. 4 is a left side elevational view thereof;

FIG. 5 is a right side elevational view thereof;

(58) **Field of Classification Search** D23/411,
D23/413, 377, 379, 385; 416/5; D26/59,
D26/51, 72, 80–86, 73

FIG. 6 is a top plan view thereof;

FIG. 7 is a bottom plan view thereof; and,

FIG. 8 is a reduced front end view of the combined ceiling fan motor housing and light kit in accordance with my design, shown in its environment.

See application file for complete search history.

The broken lines in the views show environmental features, which are for illustrative purposes only and form no part of the claimed design.

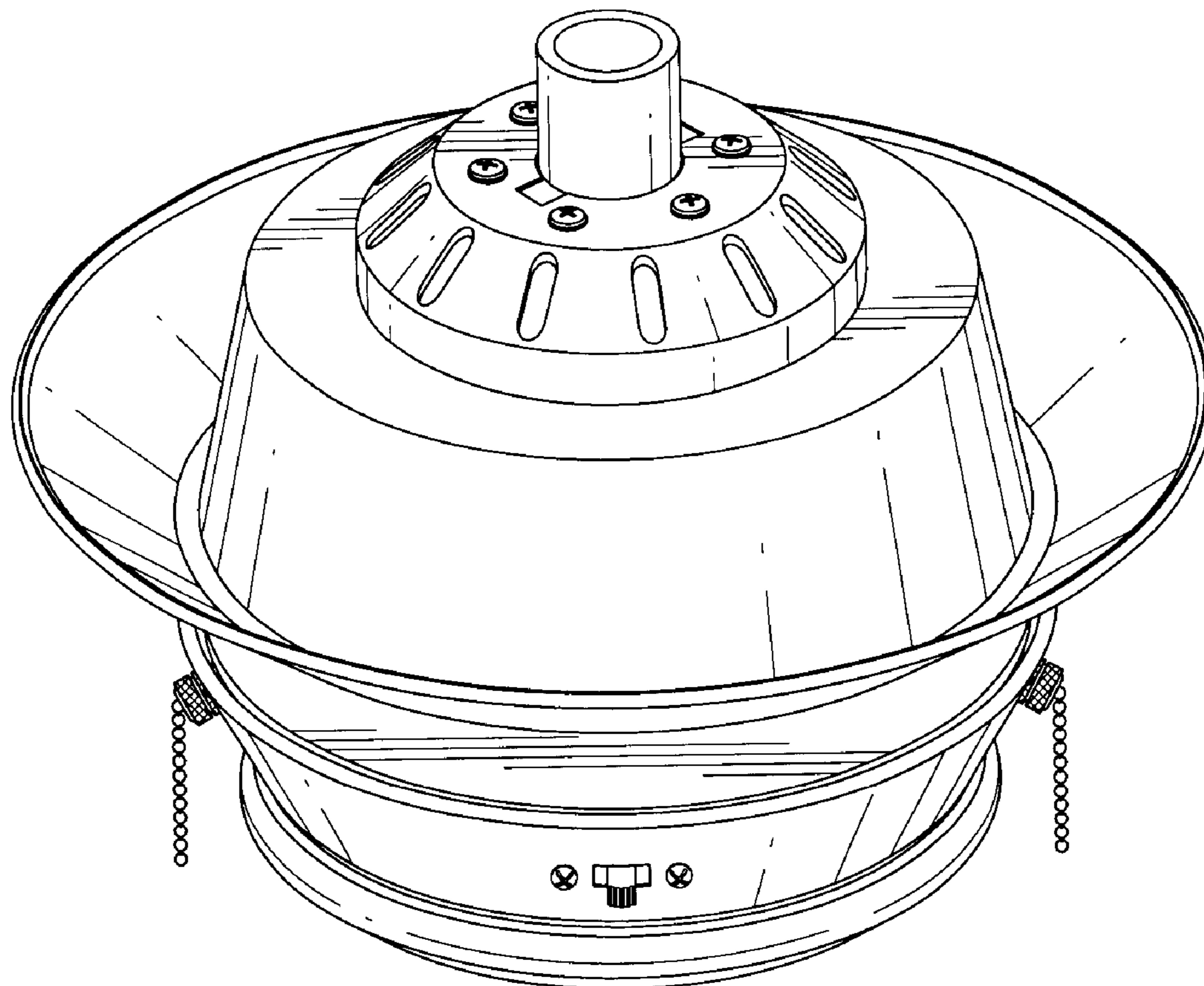
(56) **References Cited**

U.S. PATENT DOCUMENTS

D348,729 S * 7/1994 Mason D23/411

D413,165 S * 8/1999 Tsuji D23/377

1 Claim, 8 Drawing Sheets



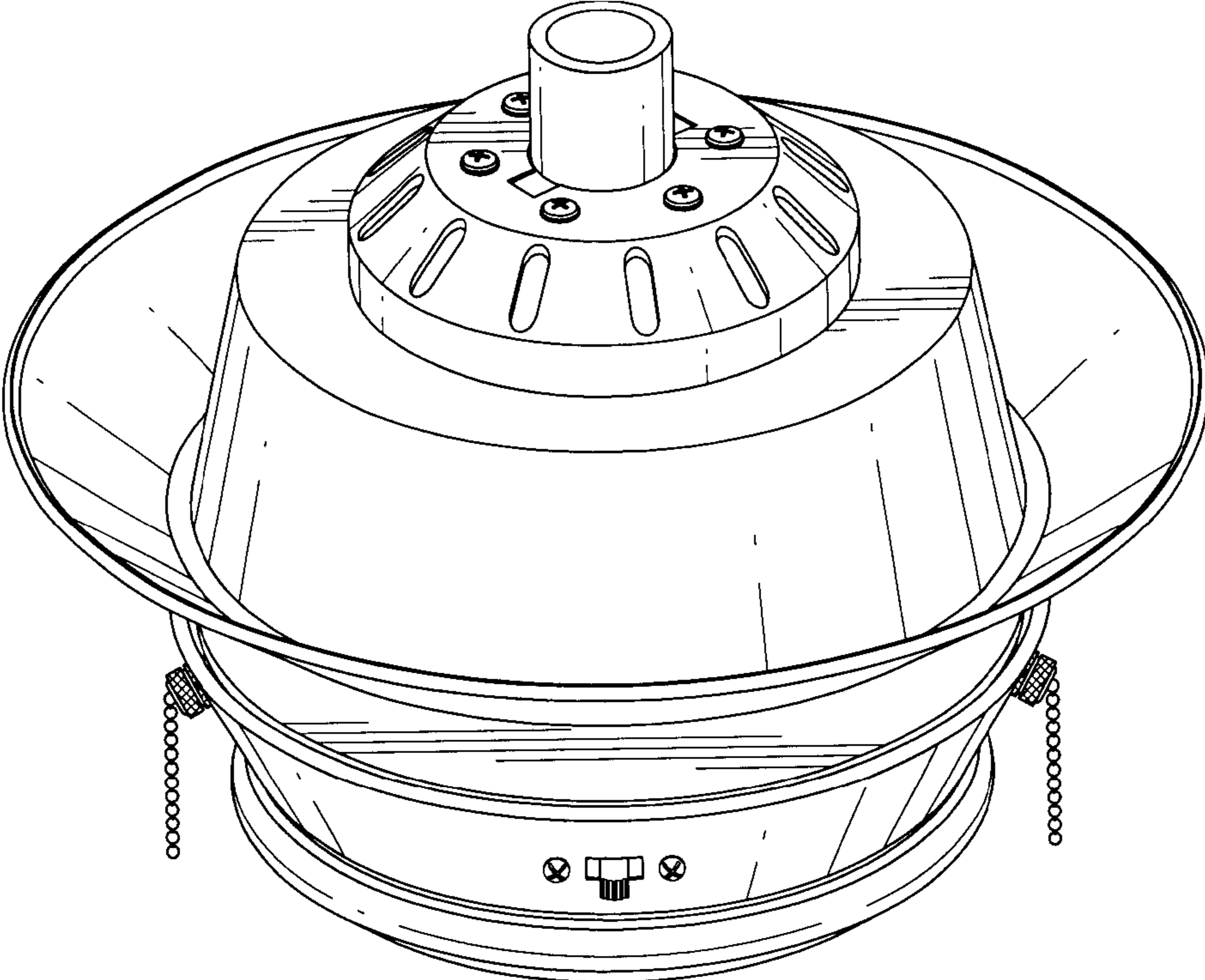


FIG. 1

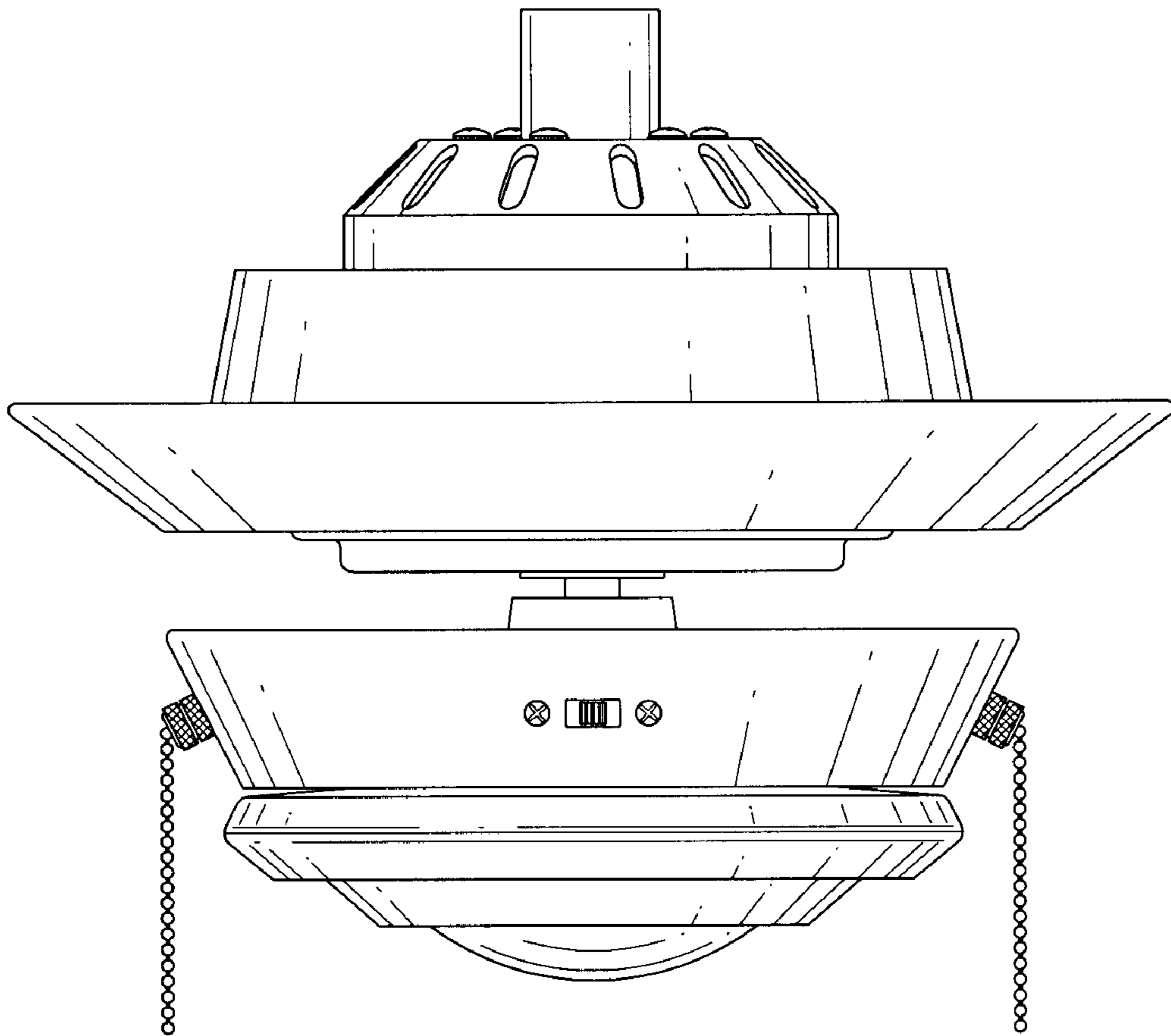


FIG. 2

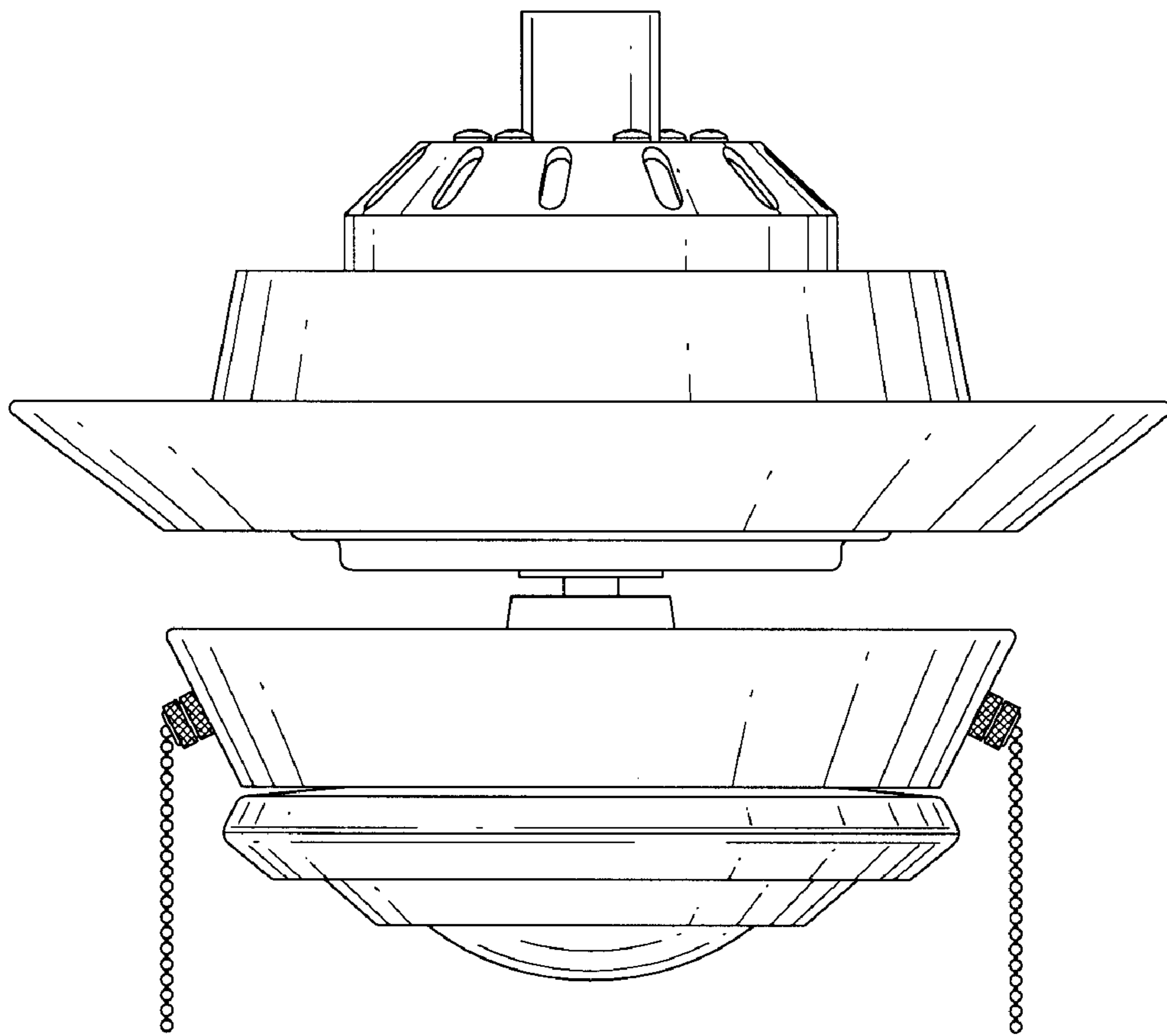


FIG. 3

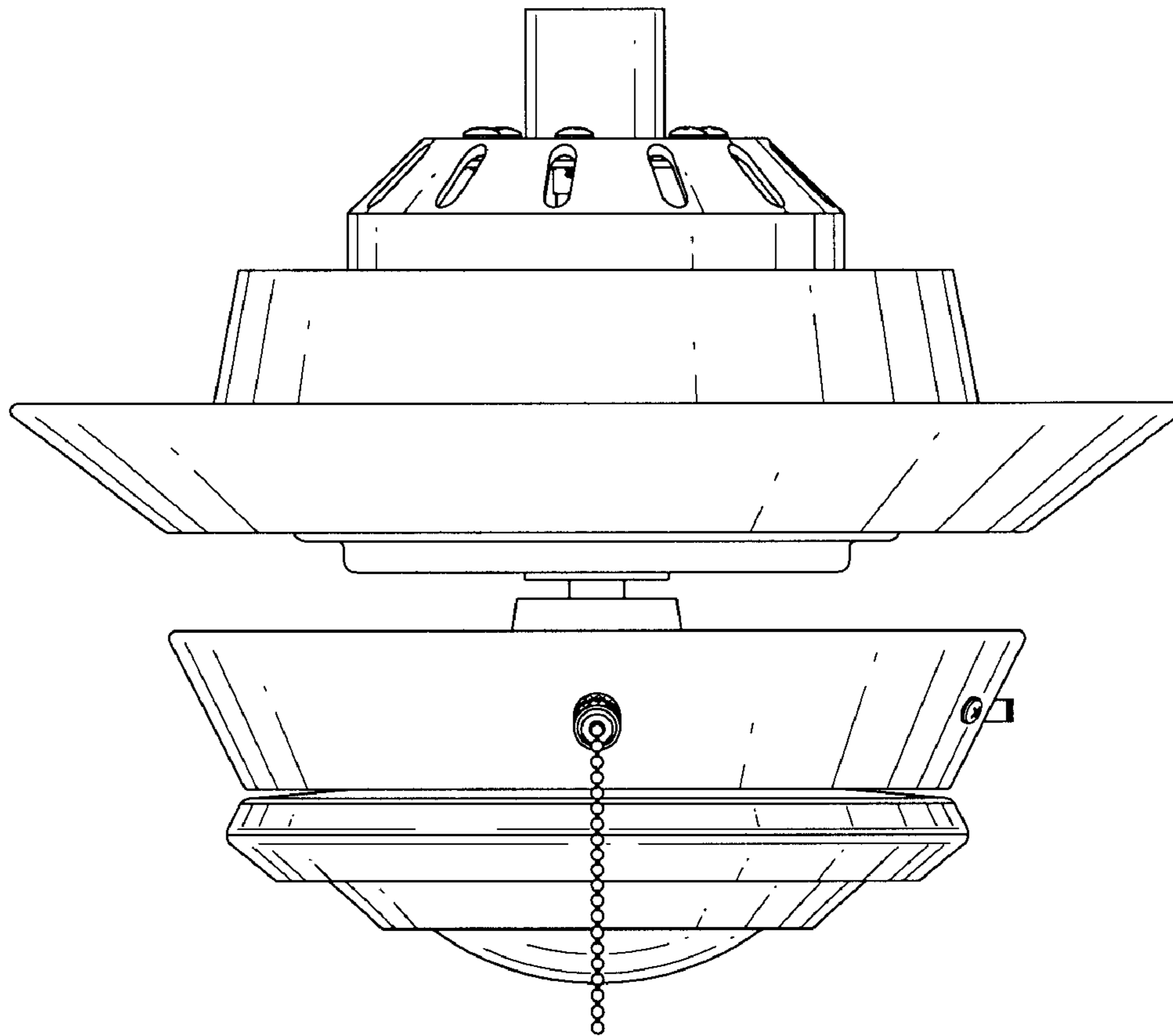


FIG. 4

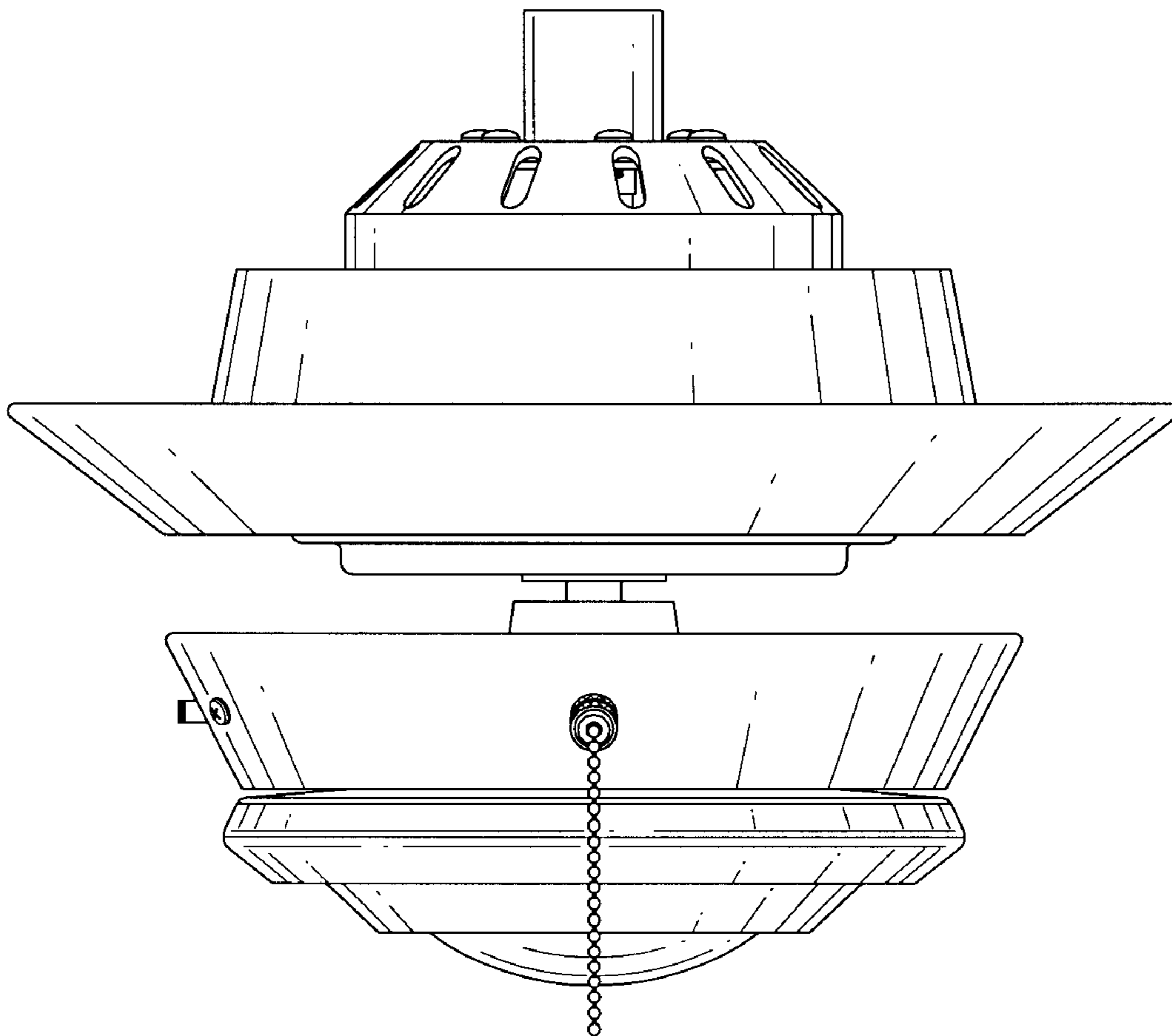


FIG. 5

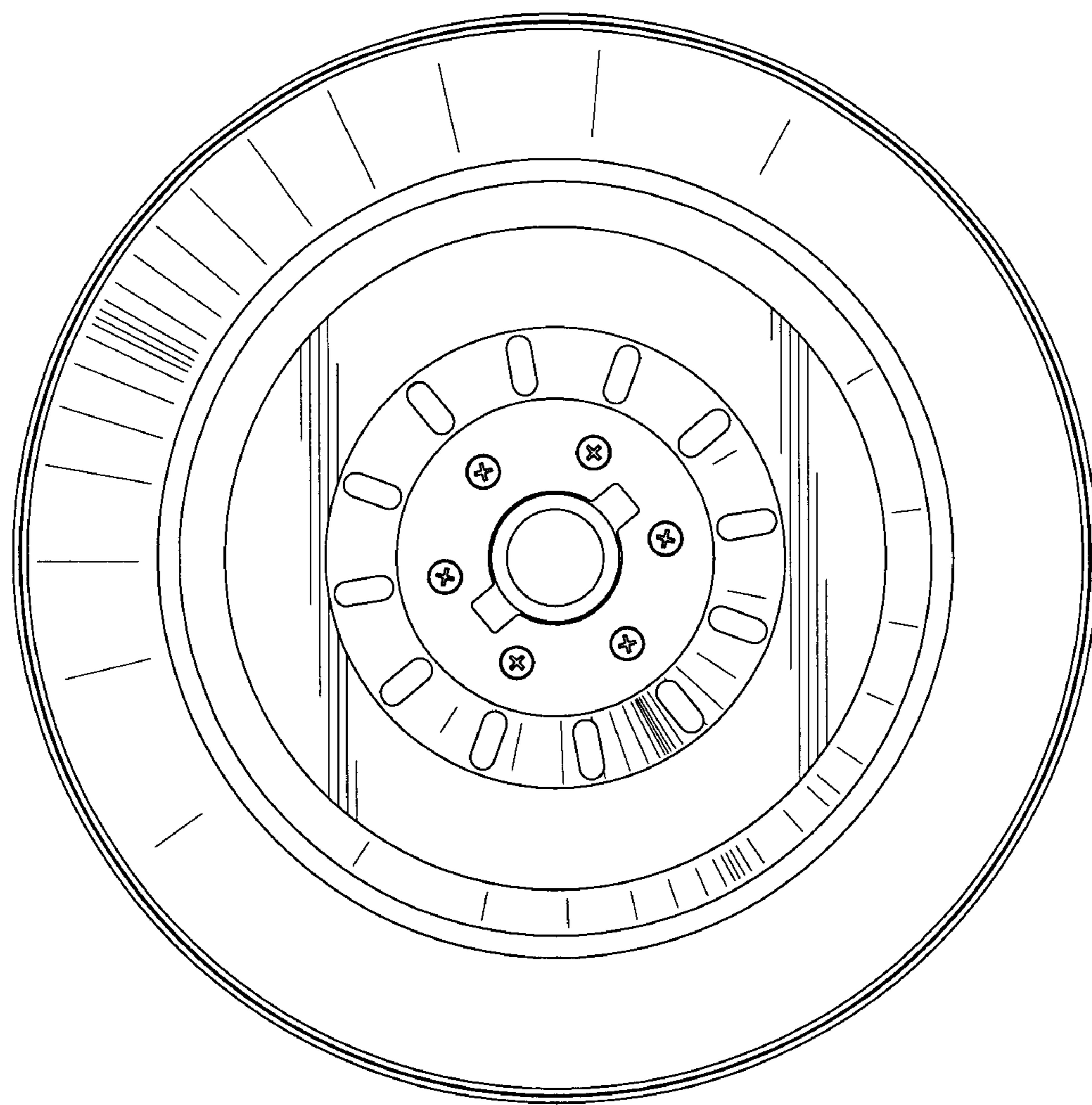


FIG. 6

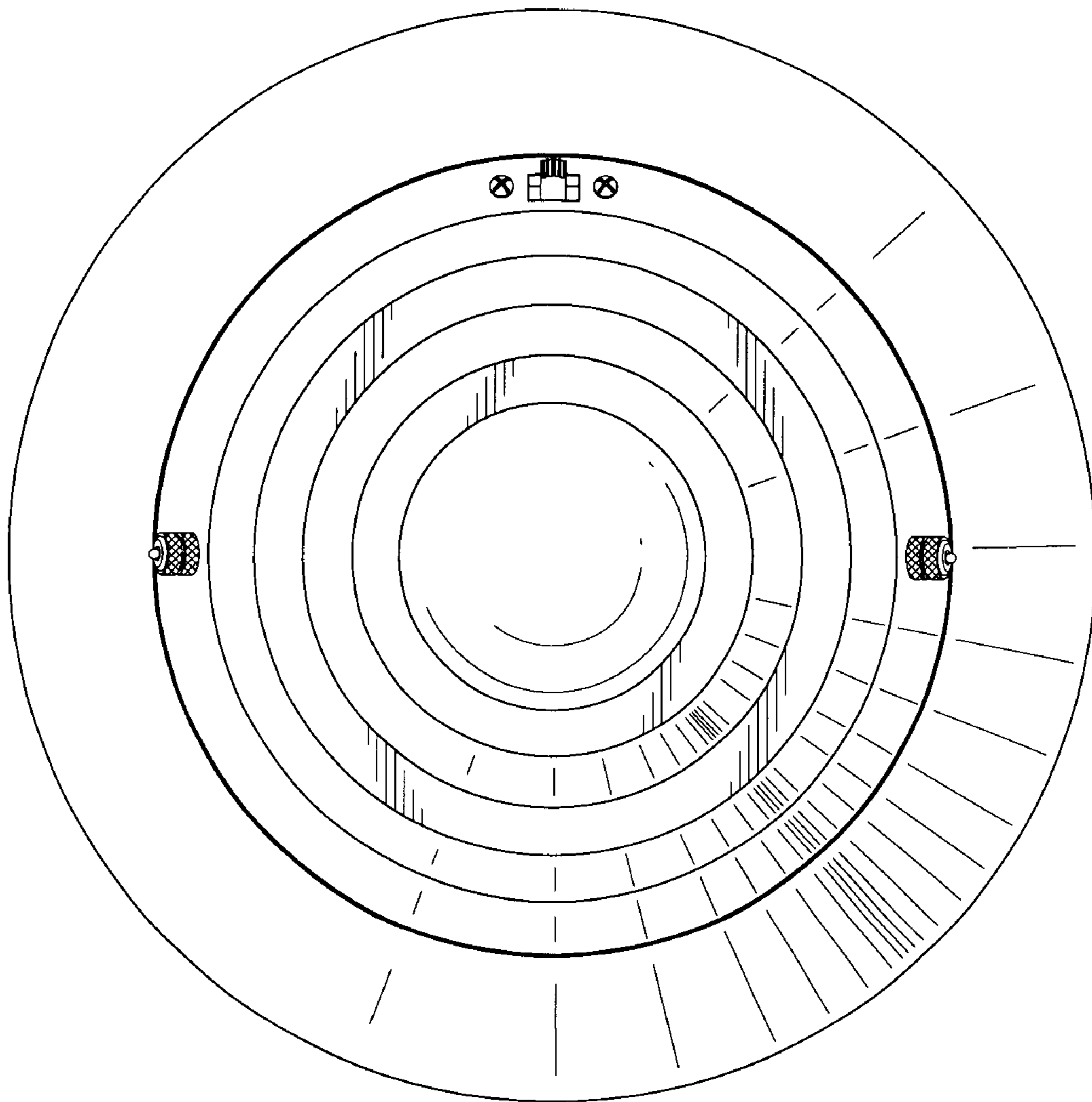


FIG. 7

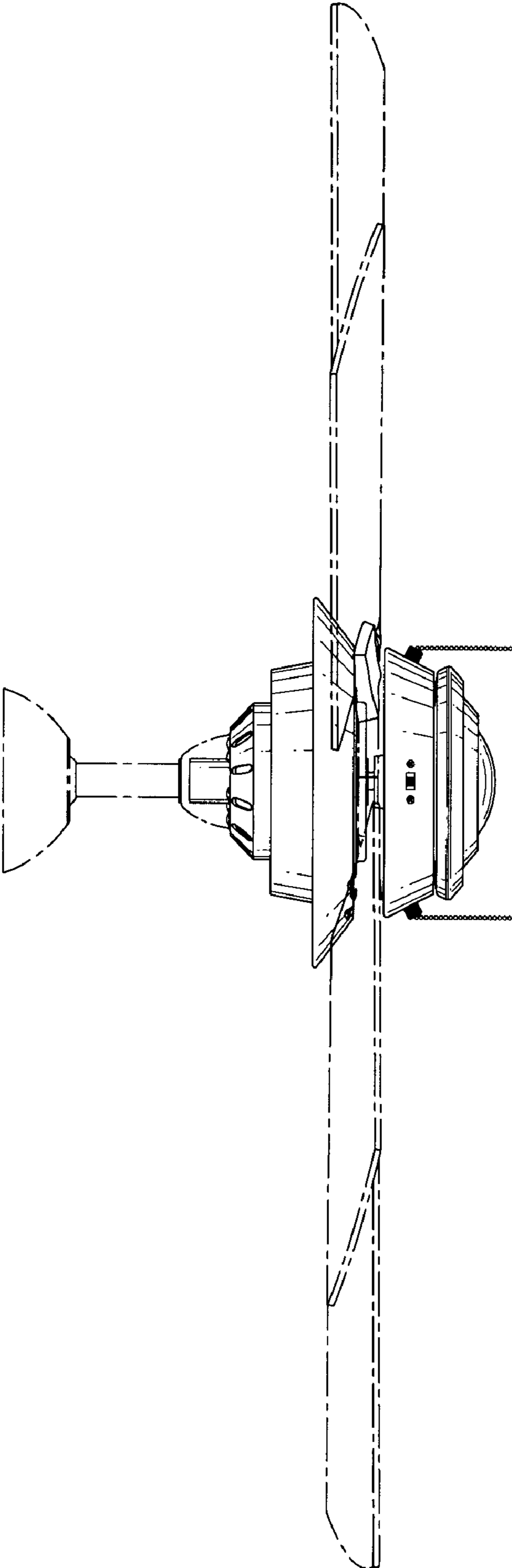


FIG. 8