



US00D536085S

(12) **United States Design Patent**
Clymer

(10) **Patent No.:** **US D536,085 S**

(45) **Date of Patent:** **** Jan. 30, 2007**

(54) **MODEL-MOTORCYCLE-OUTFITTED
CEILING FAN**

(76) **Inventor:** **Randolph Ben Clymer**, 40010
Buckwood Way, Murrieta, CA (US)
92562

(**) **Term:** **14 Years**

(21) **Appl. No.:** **29/255,300**

(22) **Filed:** **Mar. 7, 2006**

(51) **LOC (8) Cl.** **23-04**

(52) **U.S. Cl.** **D23/377; 26/110**

(58) **Field of Classification Search** D23/411,
D23/413, 377, 379, 385; 416/5; D26/59,
D26/81-88, 72; D12/110

See application file for complete search history.

(56) **References Cited**

U.S. PATENT DOCUMENTS

D284,304 S	6/1986	Huber	
D295,430 S	4/1988	Smith	
D318,725 S	7/1991	Jaeger	
D320,439 S	10/1991	Harper	
5,097,398 A	3/1992	Dye	
D341,194 S	11/1993	Reid et al.	
D348,729 S	* 7/1994	Mason D23/411
D358,878 S	* 5/1995	Tsuji D23/377
D359,553 S	6/1995	Hsi	
D364,223 S	11/1995	DiPasquale	
5,489,232 A	* 2/1996	Chang 446/440
5,658,129 A	8/1997	Pearce	

D396,103 S	7/1998	Secunda	
D417,496 S	12/1999	Chang et al.	
D420,733 S	2/2000	Chen	
6,302,556 B1	10/2001	Filip	
D463,856 S	10/2002	Leslie	
D476,728 S	7/2003	Gajewski	
D478,380 S	8/2003	Clymer	
D496,075 S	9/2004	Byrne	
D512,138 S	11/2005	Clymer	
D512,504 S	12/2005	Clymer	
D524,697 S	* 7/2006	Hsing D12/110

* cited by examiner

Primary Examiner—Lisa Lichtenstein

(74) *Attorney, Agent, or Firm*—Loyal McKinley Hanson

(57) **CLAIM**

The ornamental design for a model-motorcycle-outfitted ceiling fan, as shown and described.

DESCRIPTION

FIG. 1 of the drawings is a perspective view of a model-motorcycle-outfitted ceiling fan embodying the design of my invention as viewed looking up at the bottom and side of the ceiling fan from a position underneath the ceiling fan;

FIG. 2 is a top plan view of the upwardly facing top side of the ceiling fan;

FIG. 3 is an elevation view of the front side;

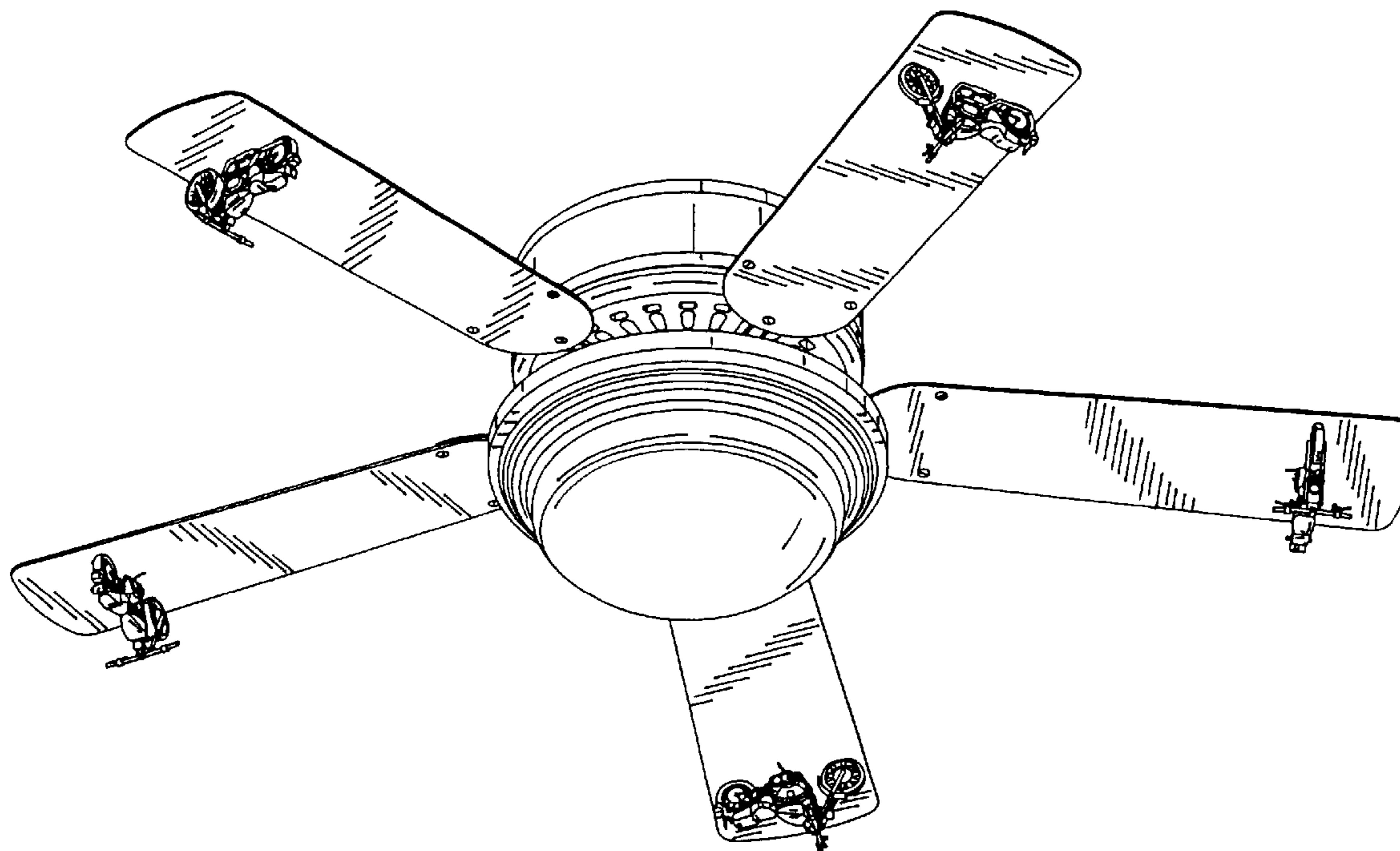
FIG. 4 is an elevation view of the back side;

FIG. 5 is an elevation view of the right side;

FIG. 6 is an elevation view of the left side; and,

FIG. 7 is a bottom plan view of the downwardly facing side.

1 Claim, 5 Drawing Sheets



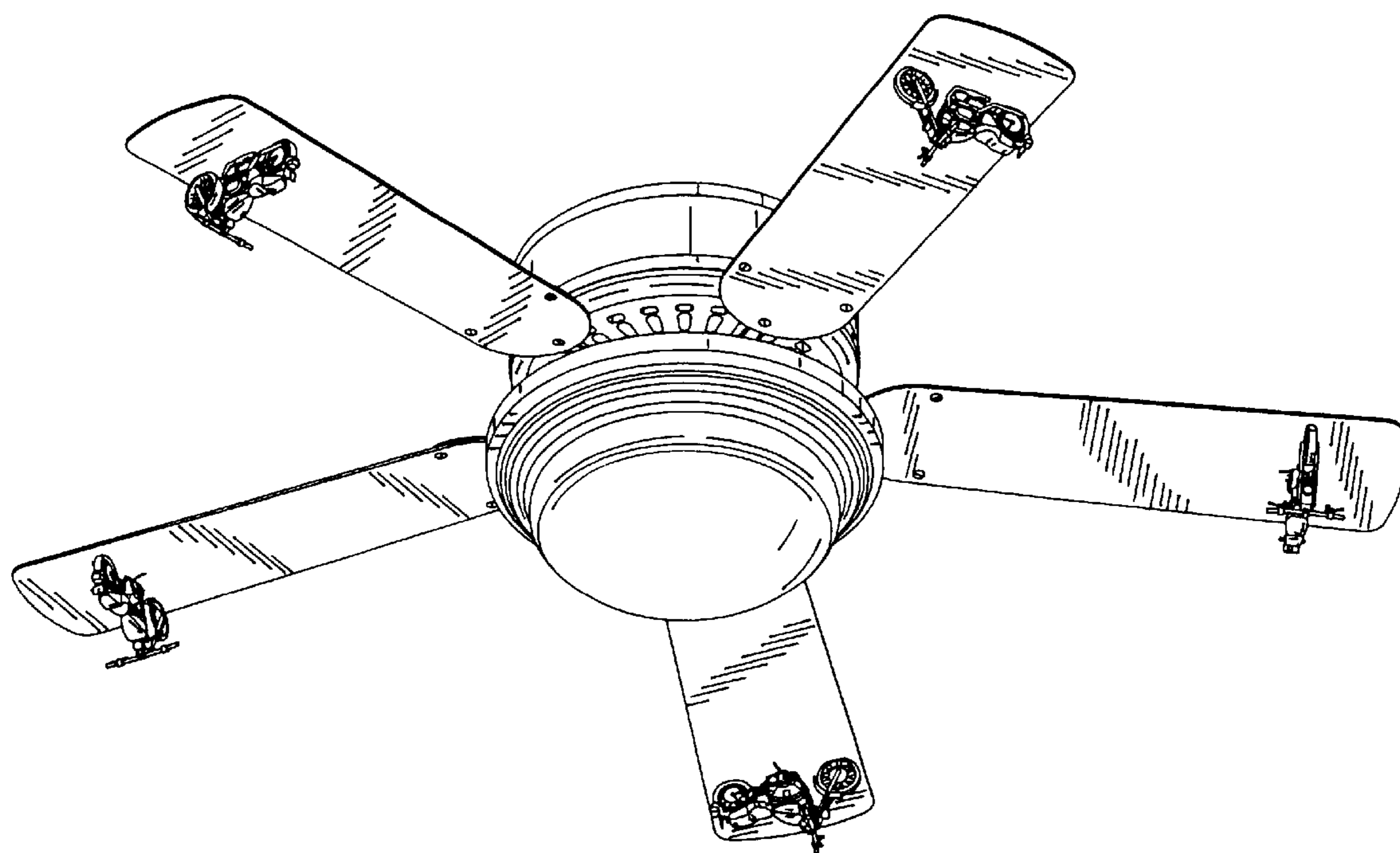


FIG. 1

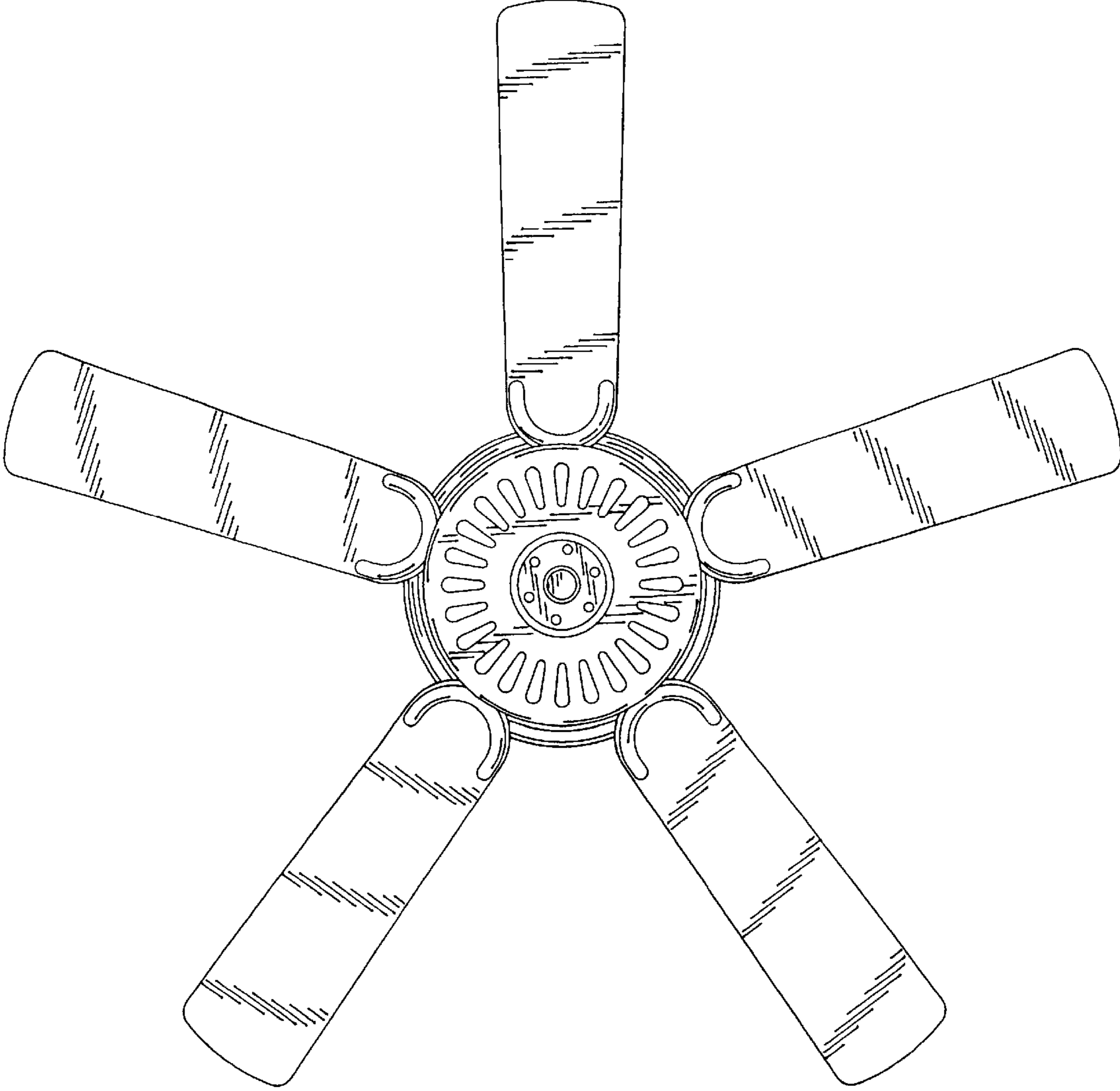


FIG. 2

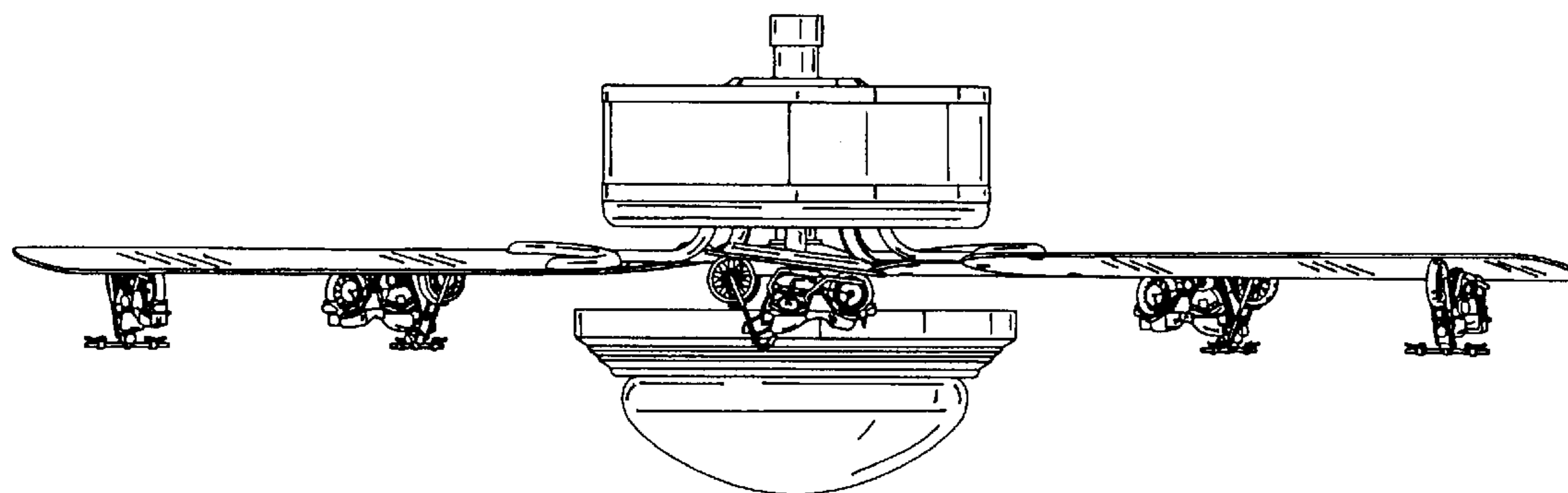


FIG. 3

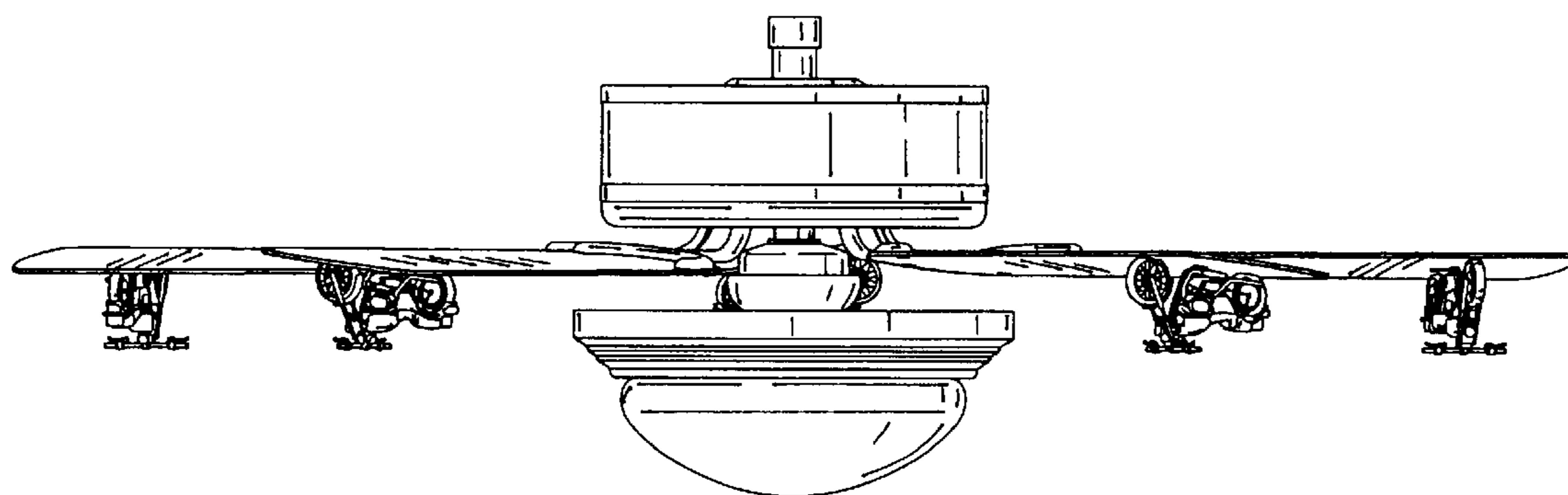


FIG. 4

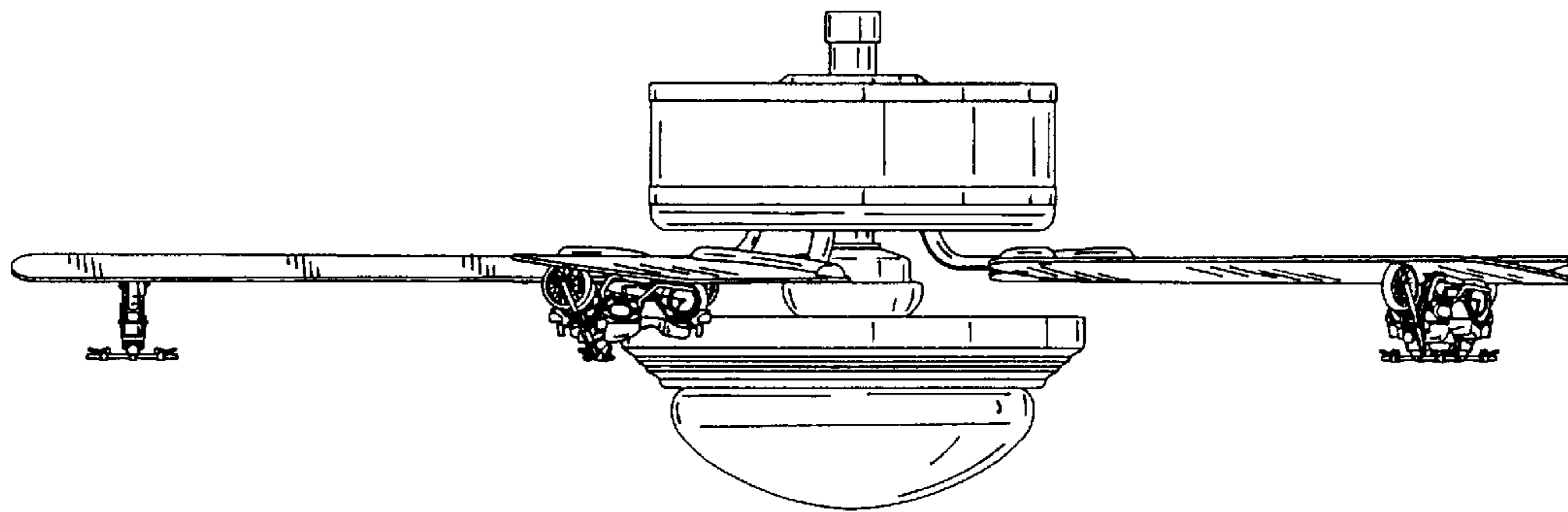


FIG. 5

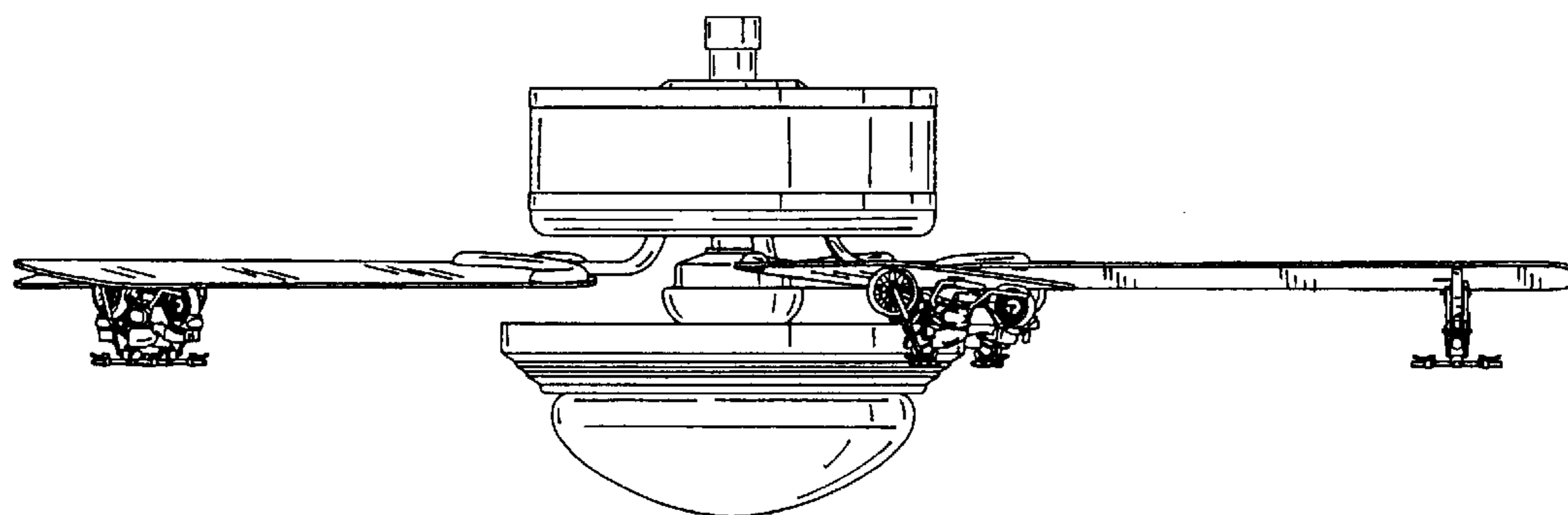


FIG. 6

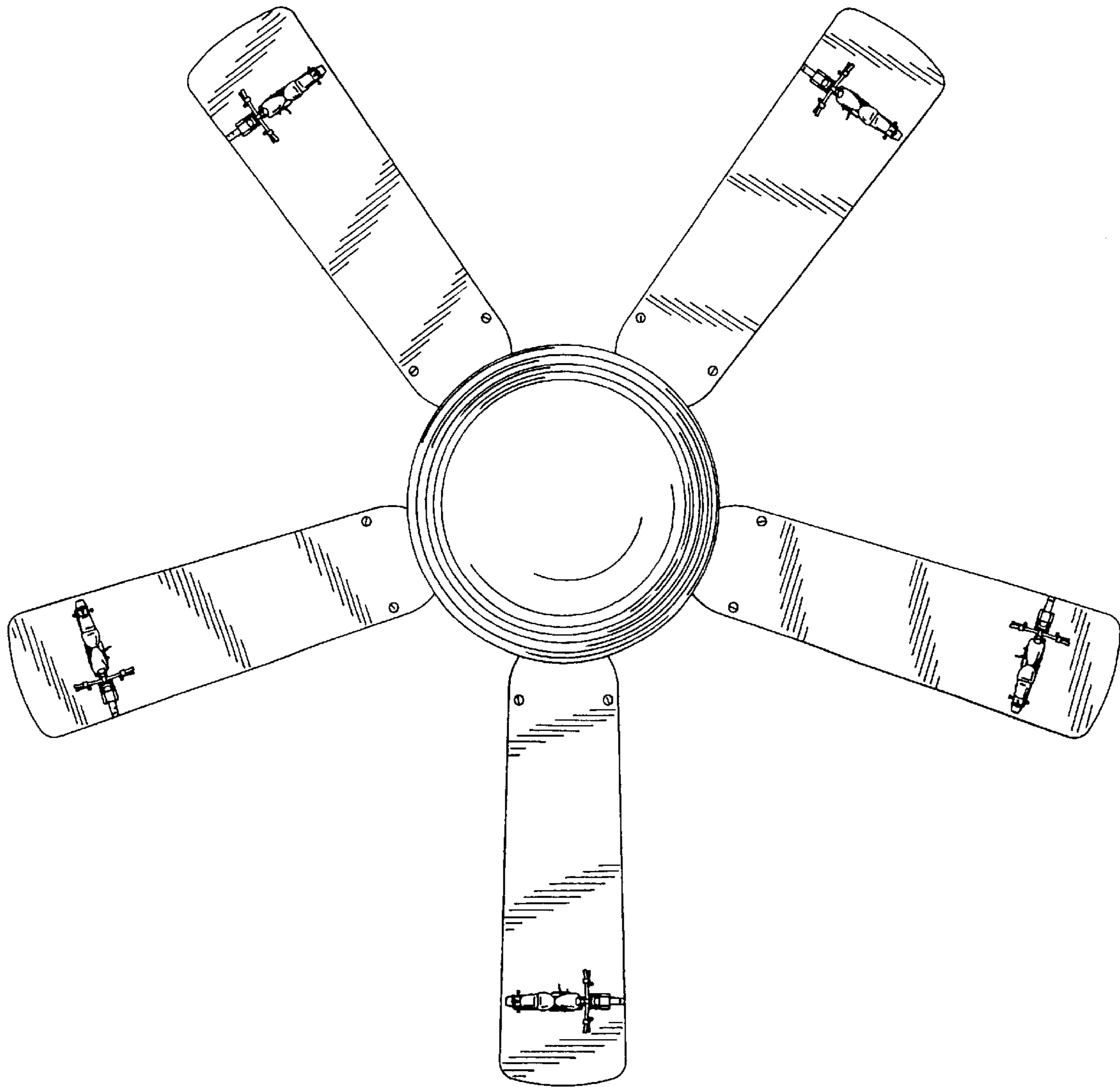


FIG. 7