



US00D536082S

(12) **United States Design Patent**  
**Pugh**

(10) **Patent No.:** **US D536,082 S**

(45) **Date of Patent:** **\*\* Jan. 30, 2007**

(54) **AIR FRESHENER DEVICE**

D520,130 S \* 5/2006 Miro ..... D23/368

(75) Inventor: **Simon Pugh**, Hull (GB)

\* cited by examiner

(73) Assignee: **Reckitt Benckiser**, Slough (GB)

*Primary Examiner*—Sandra S. Snapp

(\*\*) Term: **14 Years**

(74) *Attorney, Agent, or Firm*—Norris McLaughlin & Marcus, P.A.

(21) Appl. No.: **29/242,147**

(57) **CLAIM**

(22) Filed: **Nov. 4, 2005**

The ornamental design for an air freshener device, as shown and described.

(30) **Foreign Application Priority Data**

**DESCRIPTION**

May 6, 2005 (EM) ..... 000338629-0010

FIG. 1 is a perspective view of the front of the air freshener device;

(51) **LOC (8) Cl.** ..... **28-99**

FIG. 2 is an elevation view of the front of the air freshener device;

(52) **U.S. Cl.** ..... **D23/366**

FIG. 3 is an elevation view of the back of the air freshener device;

(58) **Field of Classification Search** ..... 392/386, 392/390–394, 398, 401, 403, 405–406; 239/135–136, 239/34, 35, 56–58, 37, 41, 42, 60; 261/DIG. 17, 261/DIG. 65, DIG. 88, DIG. 89; D23/355–369  
See application file for complete search history.

FIG. 4 is an elevation view of one side of the air freshener device;

FIG. 5 is an elevation view of another side of the air freshener device;

(56) **References Cited**

FIG. 6 is a plan view of the top of the air freshener device; and,

**U.S. PATENT DOCUMENTS**

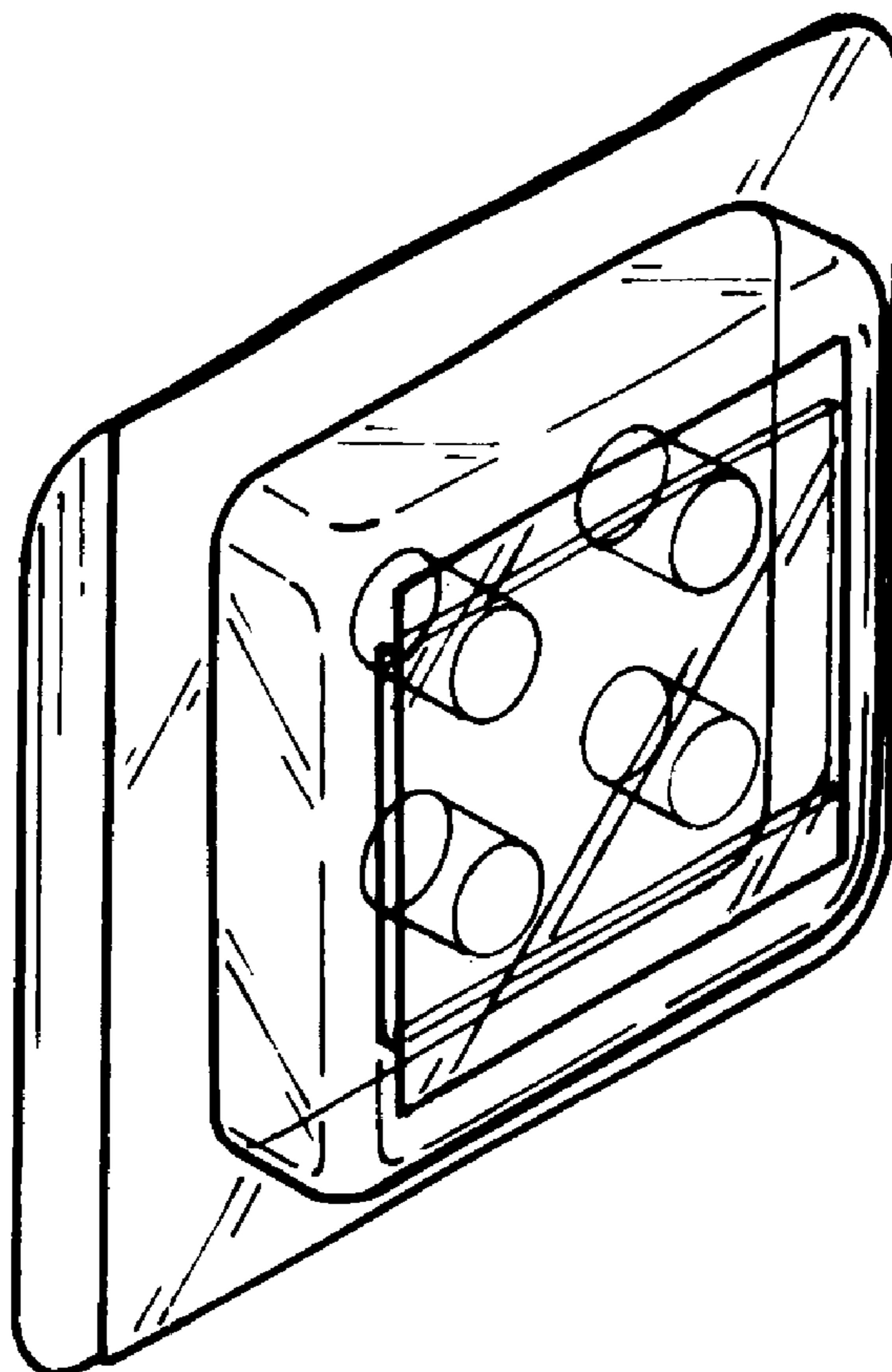
FIG. 7 is a plan view of the bottom of the air freshener device.

4,277,024 A \* 7/1981 Spector ..... D23/368

5,230,867 A \* 7/1993 Kunze et al. .... 422/123

6,938,832 B2 \* 9/2005 Sada ..... 239/41

**1 Claim, 1 Drawing Sheet**



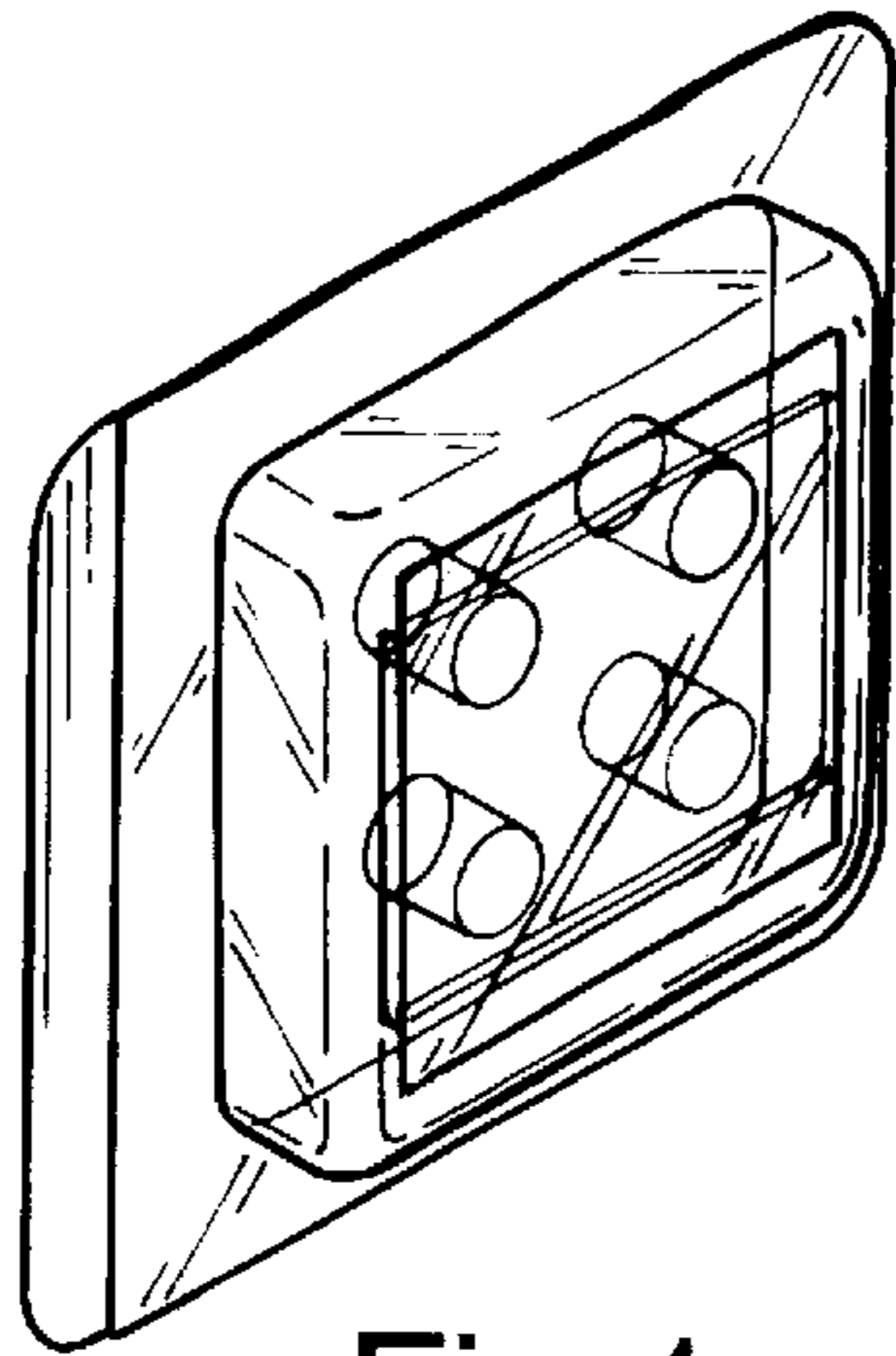


Fig.1.

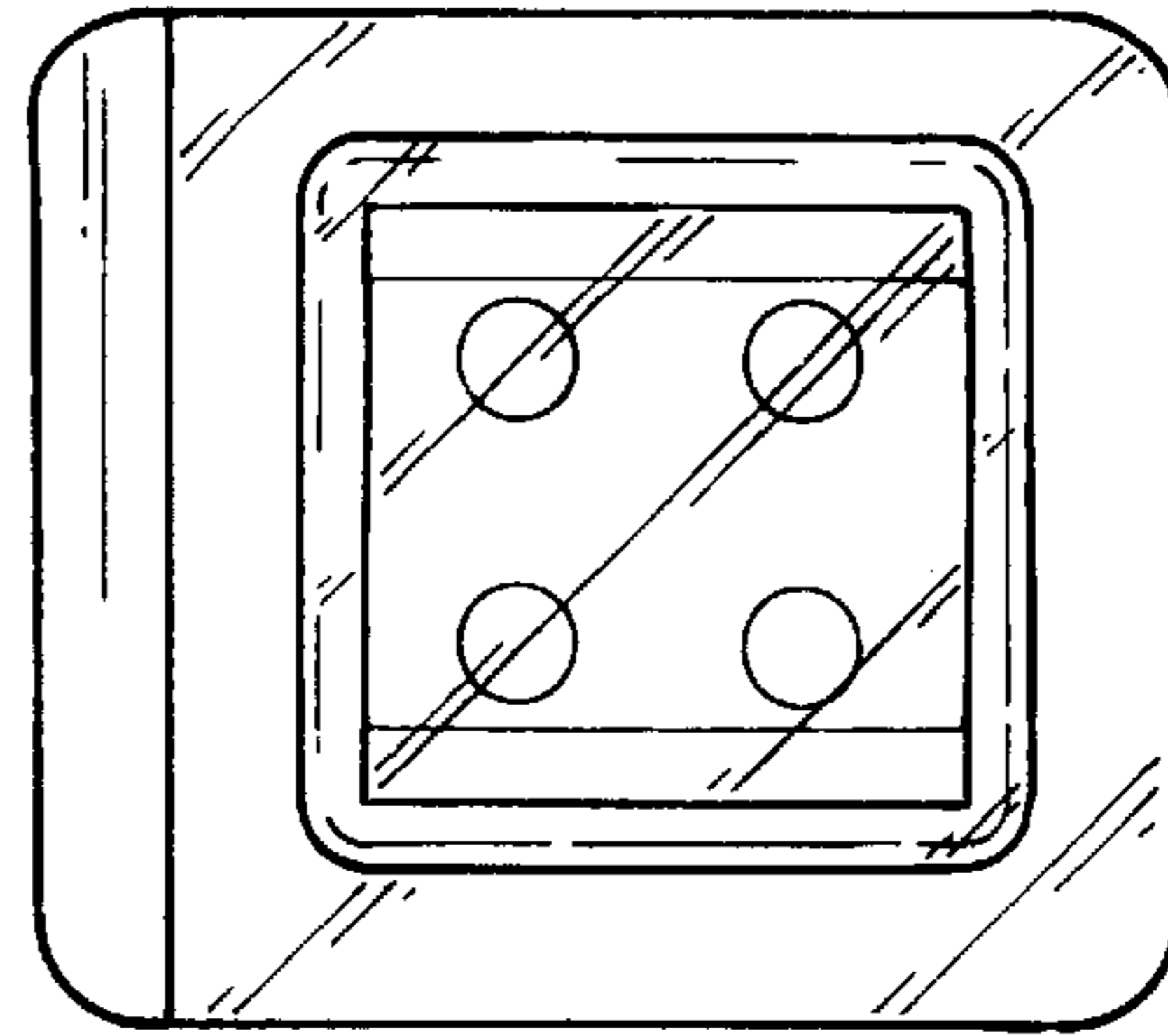


Fig.2.

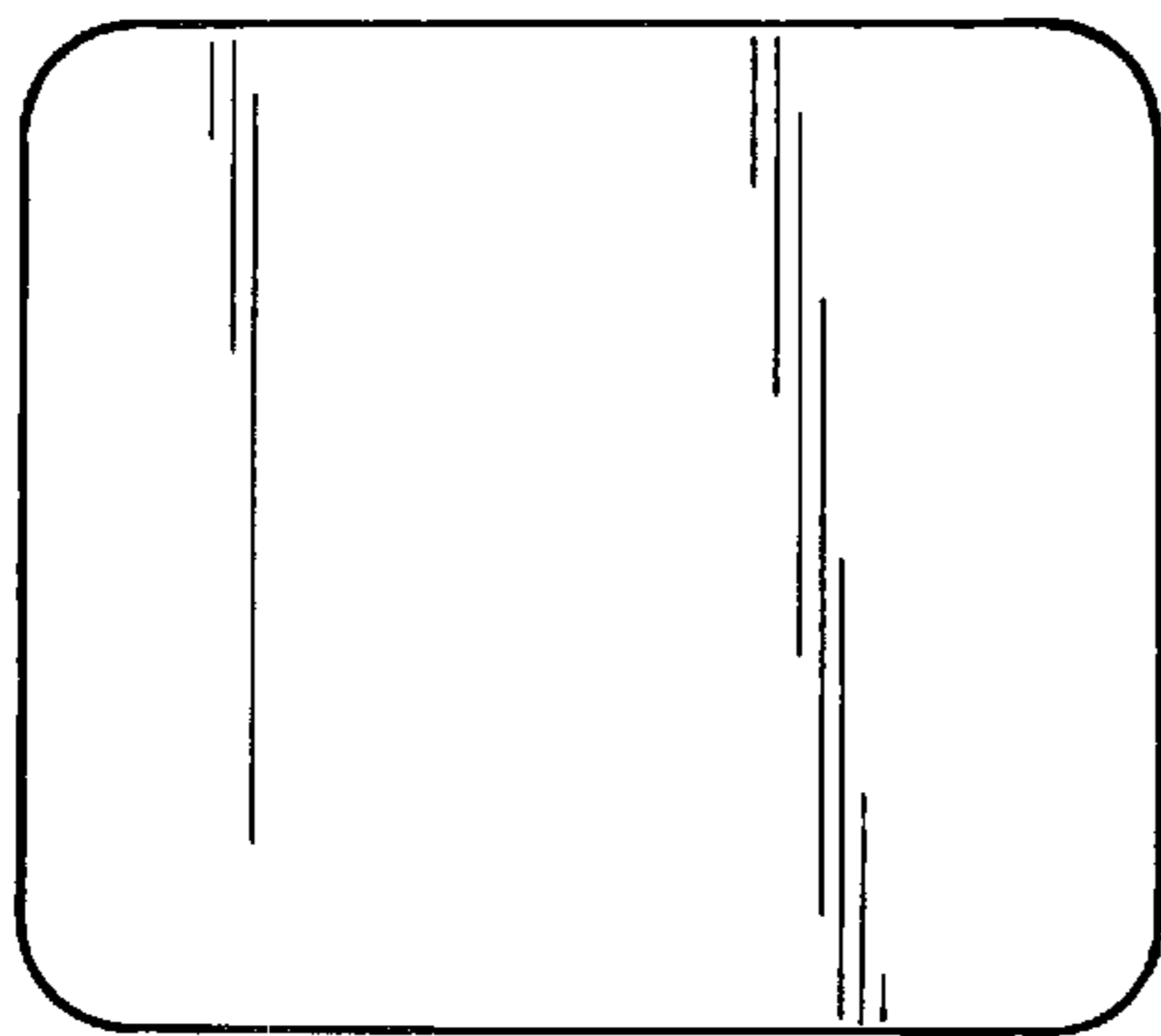


Fig.3.

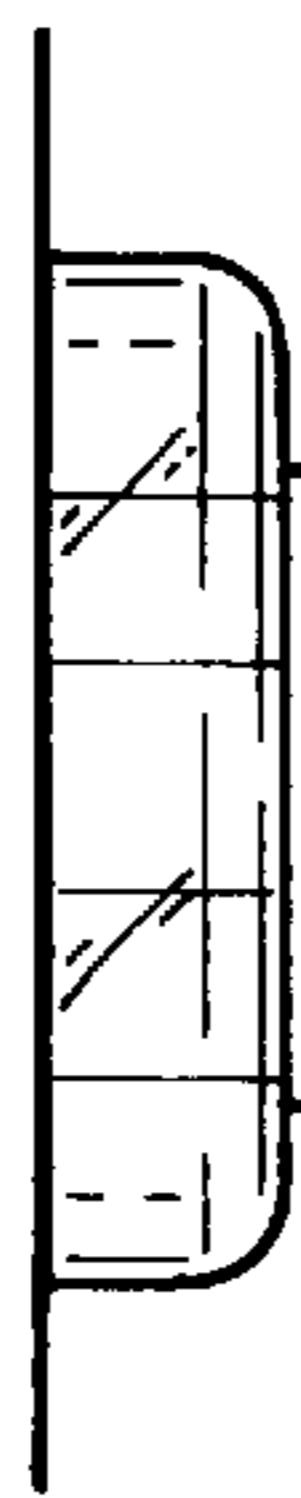


Fig.4.

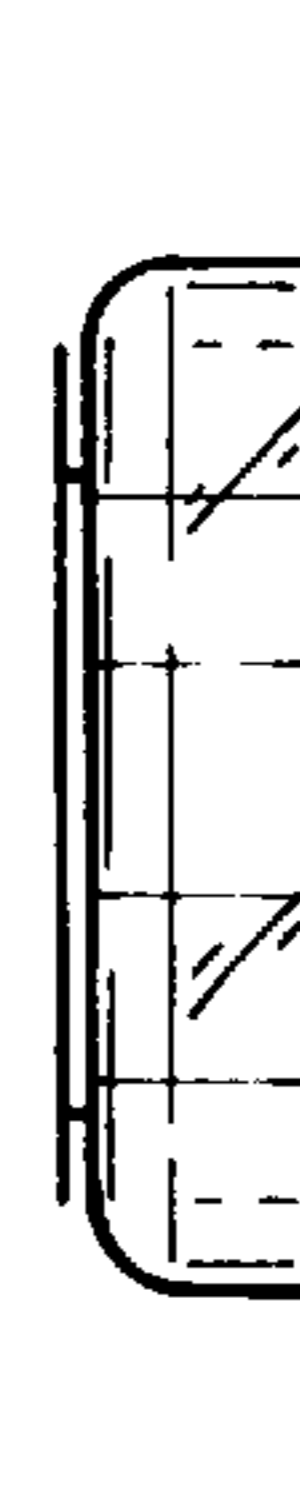


Fig.5.

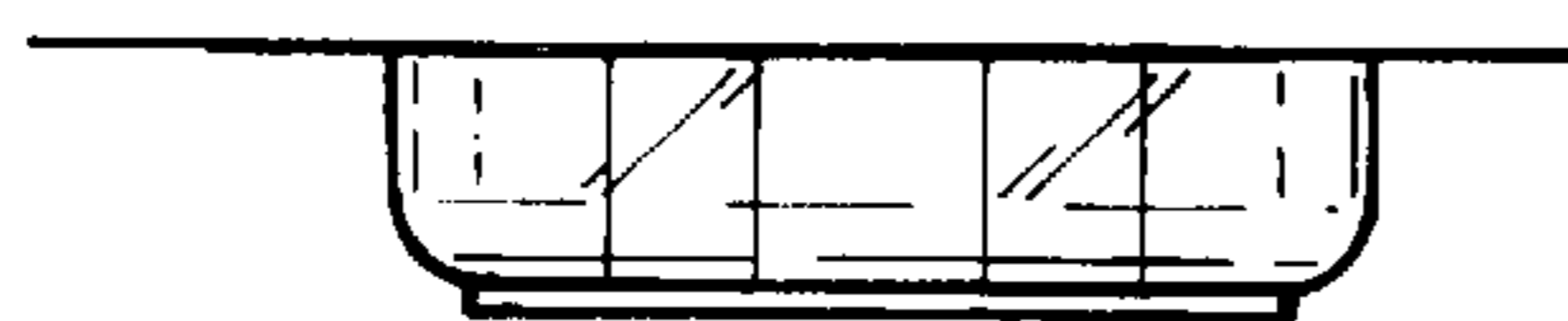


Fig.6.

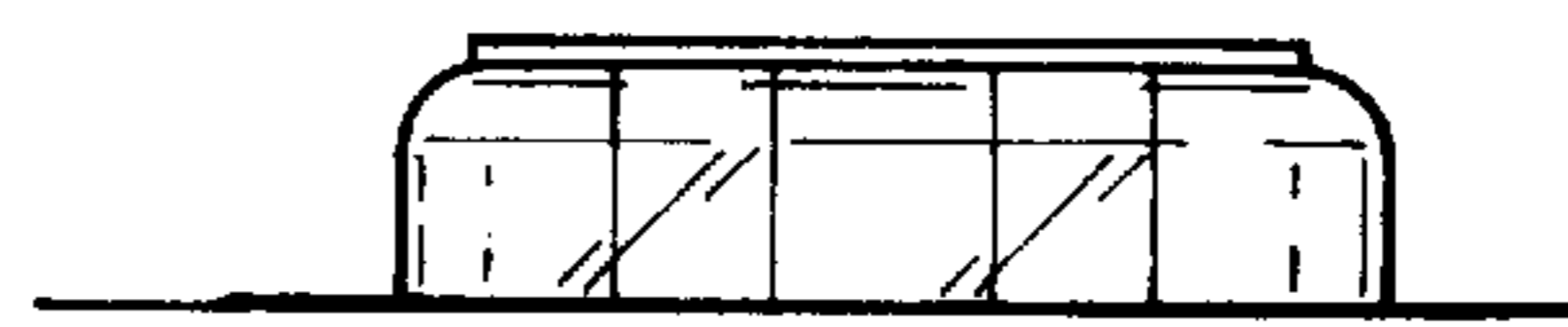


Fig.7.