



US00D536078S

(12) **United States Design Patent**  
**Leon**

(10) **Patent No.:** **US D536,078 S**

(45) **Date of Patent:** **\*\* Jan. 30, 2007**

(54) **CONDENSER SHROUD COVER FOR DC COOLER**

(75) Inventor: **Eduardo Leon**, Woodridge, IL (US)

(73) Assignee: **Emerson Network Power, Energy Systems, North America, Inc.**,  
Warrenville, IL (US)

(\*\*) Term: **14 Years**

(21) Appl. No.: **29/257,318**

(22) Filed: **Mar. 31, 2006**

(51) **LOC (8) Cl.** ..... **23-03**

(52) **U.S. Cl.** ..... **D23/323**

(58) **Field of Classification Search** ..... D23/323,  
D23/364, 393, 386, 52, 363; 112/225 R,  
112/218; 126/101; 277/494, 592; 122/209  
See application file for complete search history.

(56) **References Cited**

**U.S. PATENT DOCUMENTS**

D247,047 S	*	1/1978	Damiana	.....	D25/52
D258,985 S	*	4/1981	Peirce et al.	.....	D23/393
D259,736 S	*	6/1981	Peirce et al.	.....	D23/393
D260,117 S	*	8/1981	Peirce et al.	.....	D23/393
D263,497 S	*	3/1982	Kearney, III	.....	D23/393
D266,352 S	*	9/1982	Rasmussen	.....	D23/323
D266,353 S	*	9/1982	Rasmussen	.....	D23/323
D266,354 S	*	9/1982	Rasmussen	.....	D23/323
D266,580 S	*	10/1982	Rasmussen	.....	D23/323
4,721,315 A	*	1/1988	Ueta	.....	277/593

D364,129 S	*	11/1995	Davidson et al.	.....	D12/126
D492,224 S	*	6/2004	Bailey et al.	.....	D12/126
7,073,795 B2	*	7/2006	Ueta et al.	.....	277/591
2005/0187325 A1	*	8/2005	Yuan et al.	.....	524/394
2005/0242527 A1	*	11/2005	Barth et al.	.....	277/612
2005/0269788 A1	*	12/2005	Grunfeld	.....	277/592
2005/0280214 A1	*	12/2005	Richards	.....	277/608
2006/0096362 A1	*	5/2006	Vialard	.....	73/119 R
2006/0119050 A1	*	6/2006	Tripathy et al.	.....	277/592
2006/0145429 A1	*	7/2006	Casler et al.	.....	277/627
2006/0163817 A1	*	7/2006	Ishikawa et al.	.....	277/494

\* cited by examiner

*Primary Examiner*—Louis S. Zarfes

*Assistant Examiner*—Anna K. Dworzecka

(74) *Attorney, Agent, or Firm*—Harness, Dickey & Pierce, P.L.C.

(57) **CLAIM**

The ornamental design for a condenser shroud cover for DC cooler, as shown and described.

**DESCRIPTION**

FIG. 1 is a front view of the condenser shroud cover for DC cooler;

FIG. 2 is a rear view thereof;

FIG. 3 is a top view thereof;

FIG. 4 is a bottom view thereof;

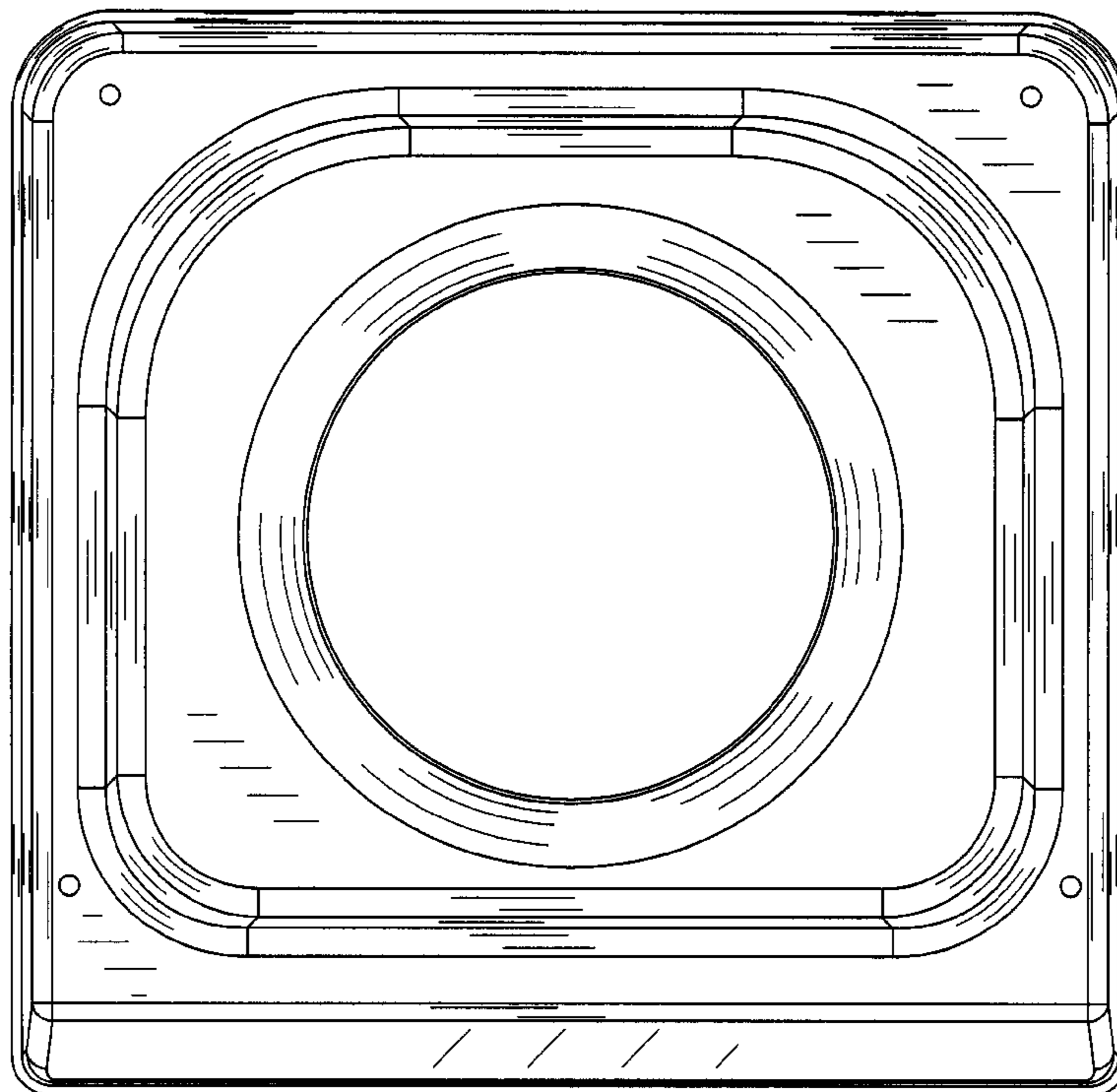
FIG. 5 is a right side view thereof;

FIG. 6 is a left side view thereof;

FIG. 7 is a rear perspective view thereof; and,

FIG. 8 is a front perspective view thereof.

**1 Claim, 8 Drawing Sheets**



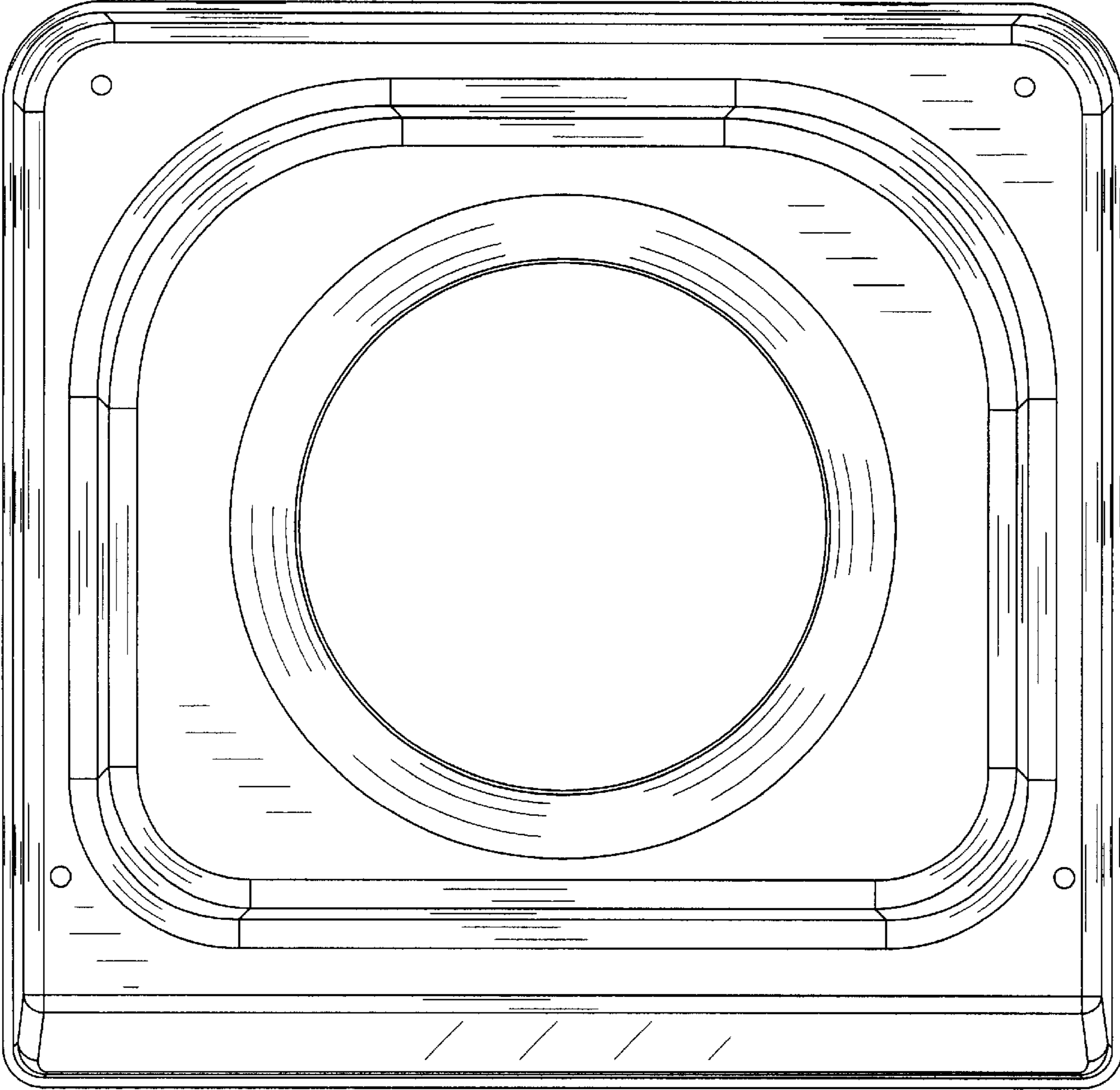


Fig. 1

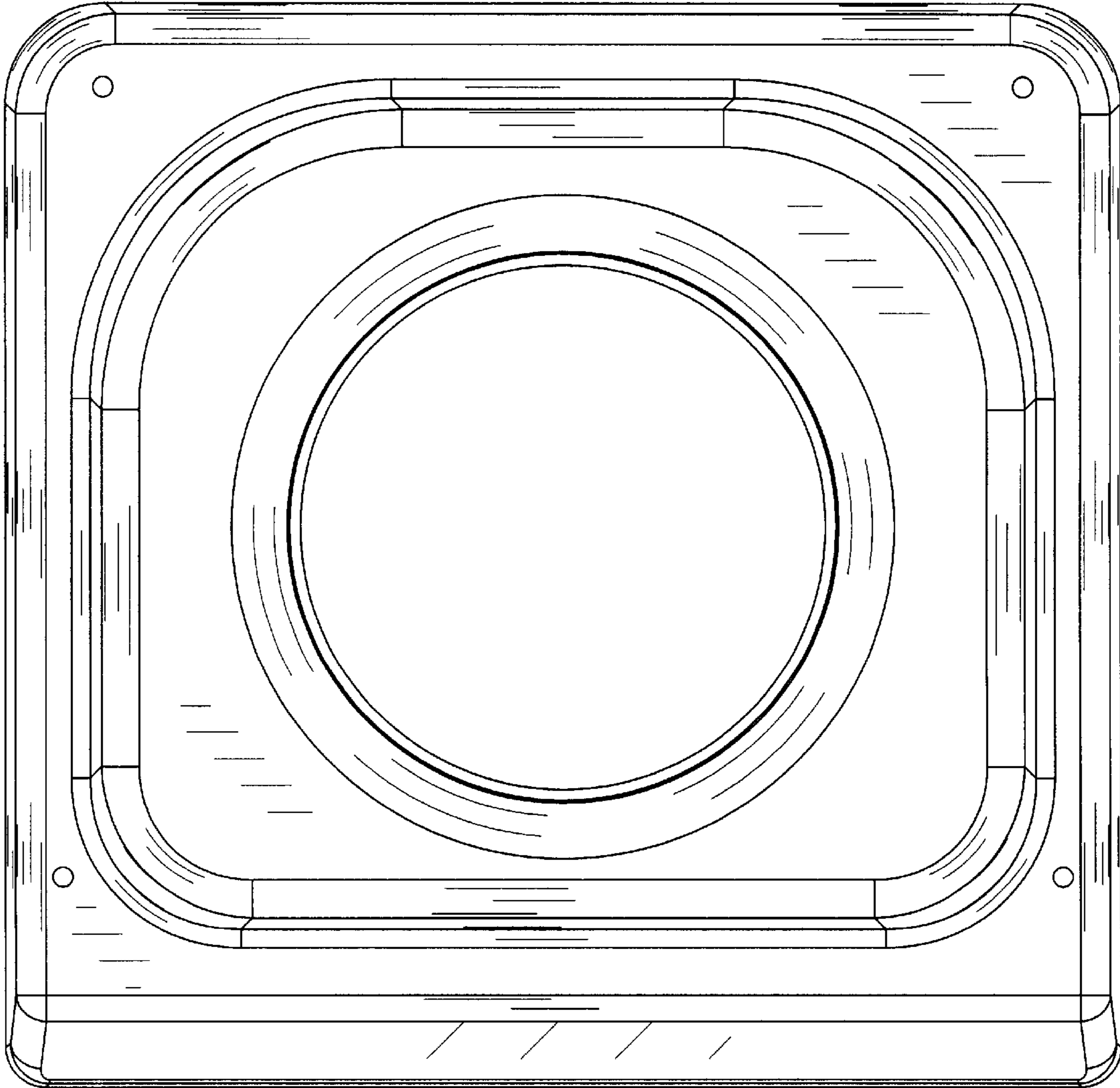


Fig. 2

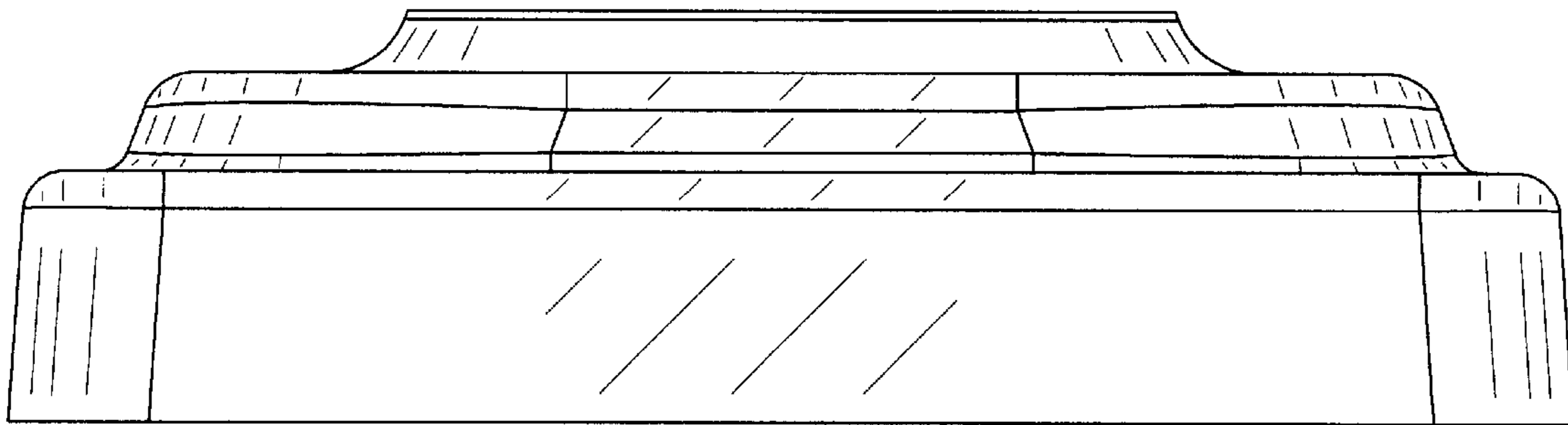


Fig. 3

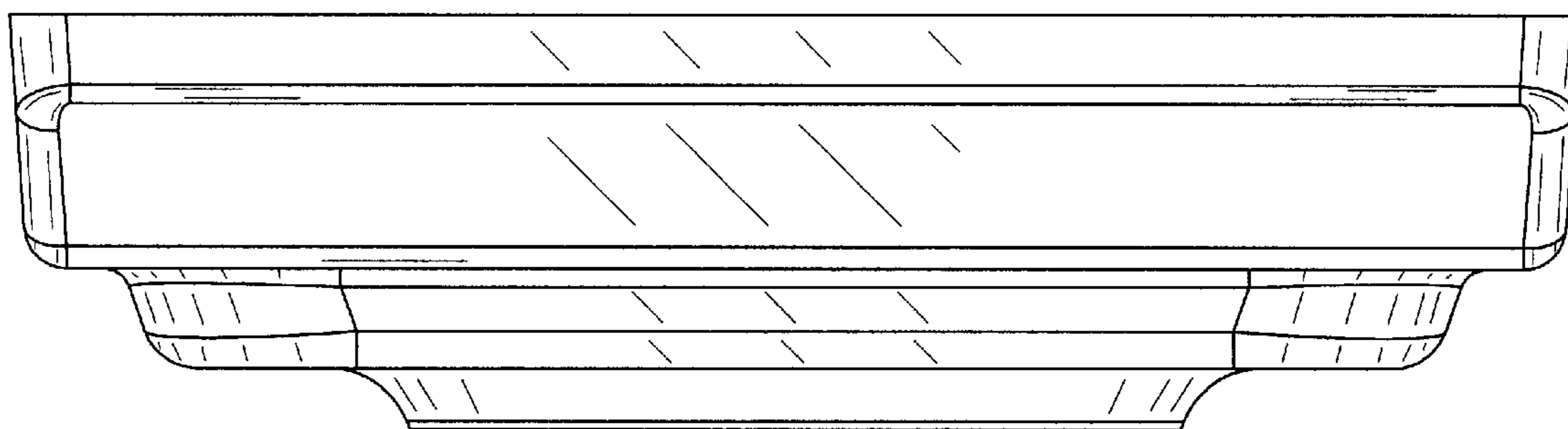


Fig. 4

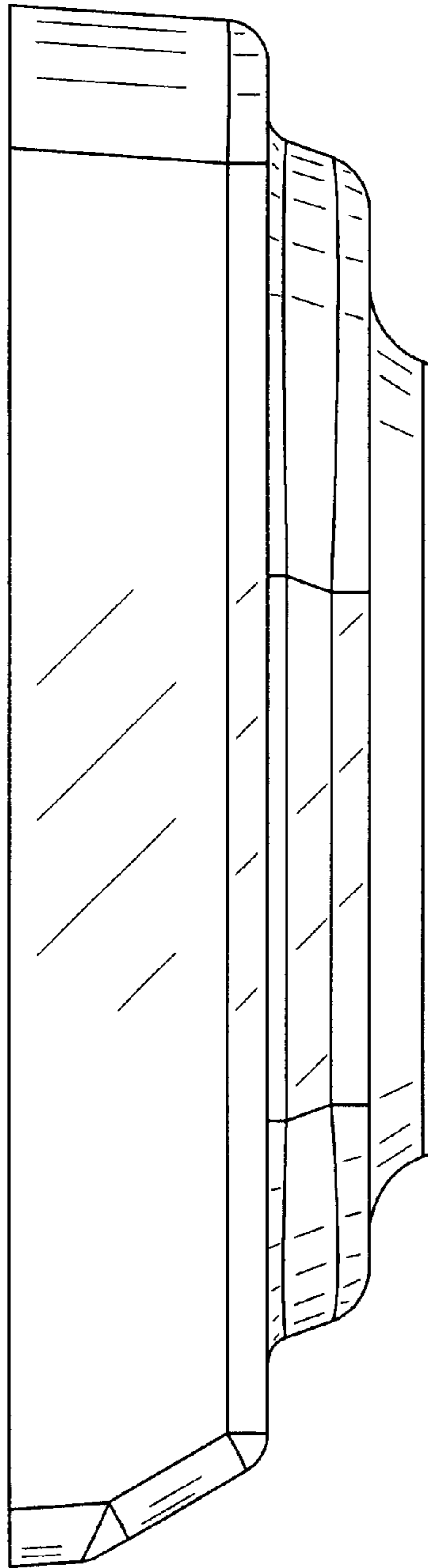


Fig. 5

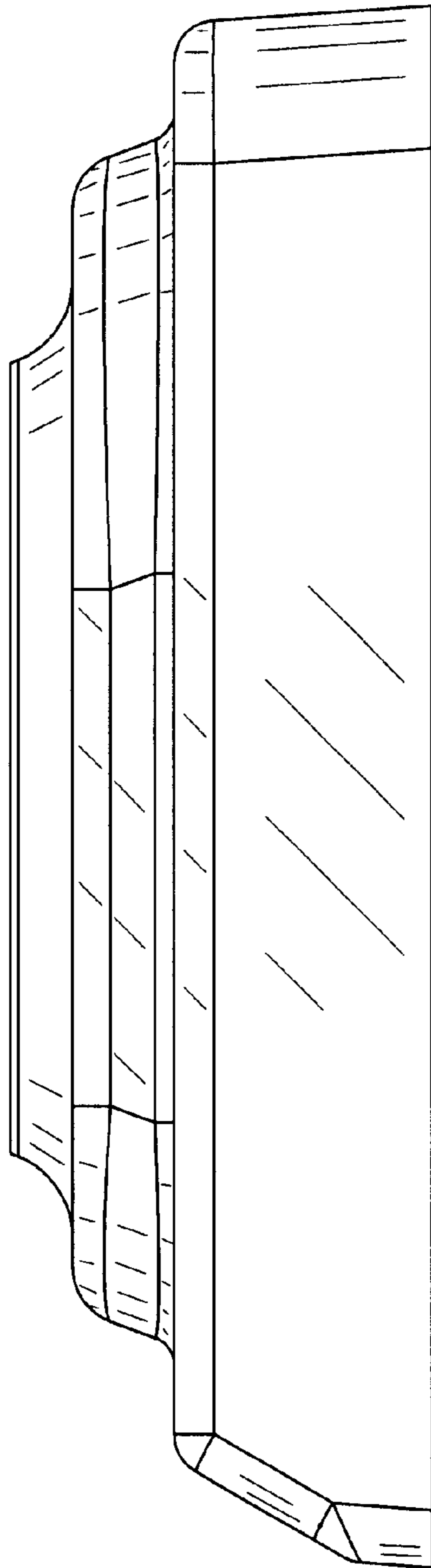


Fig. 6



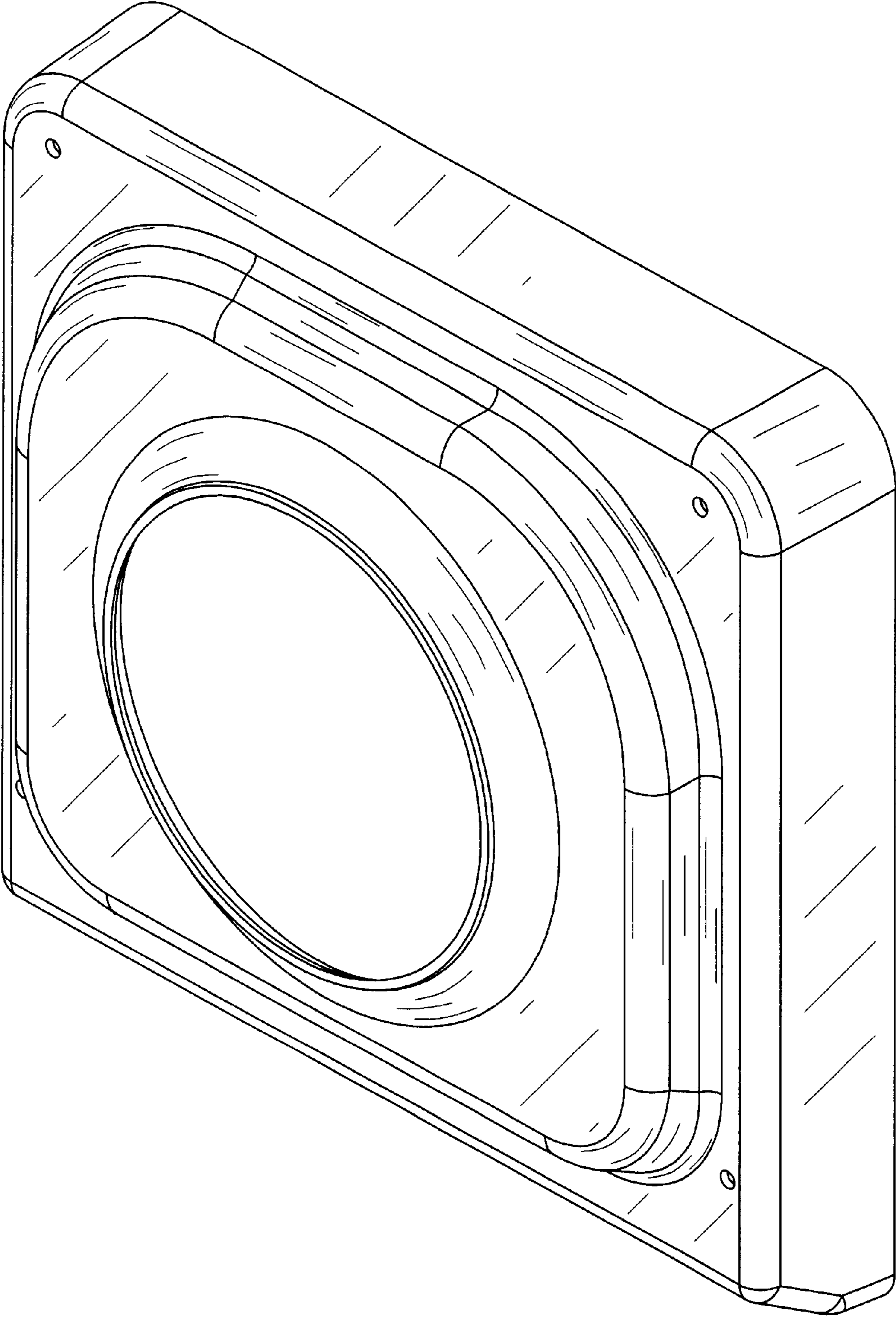


Fig. 7



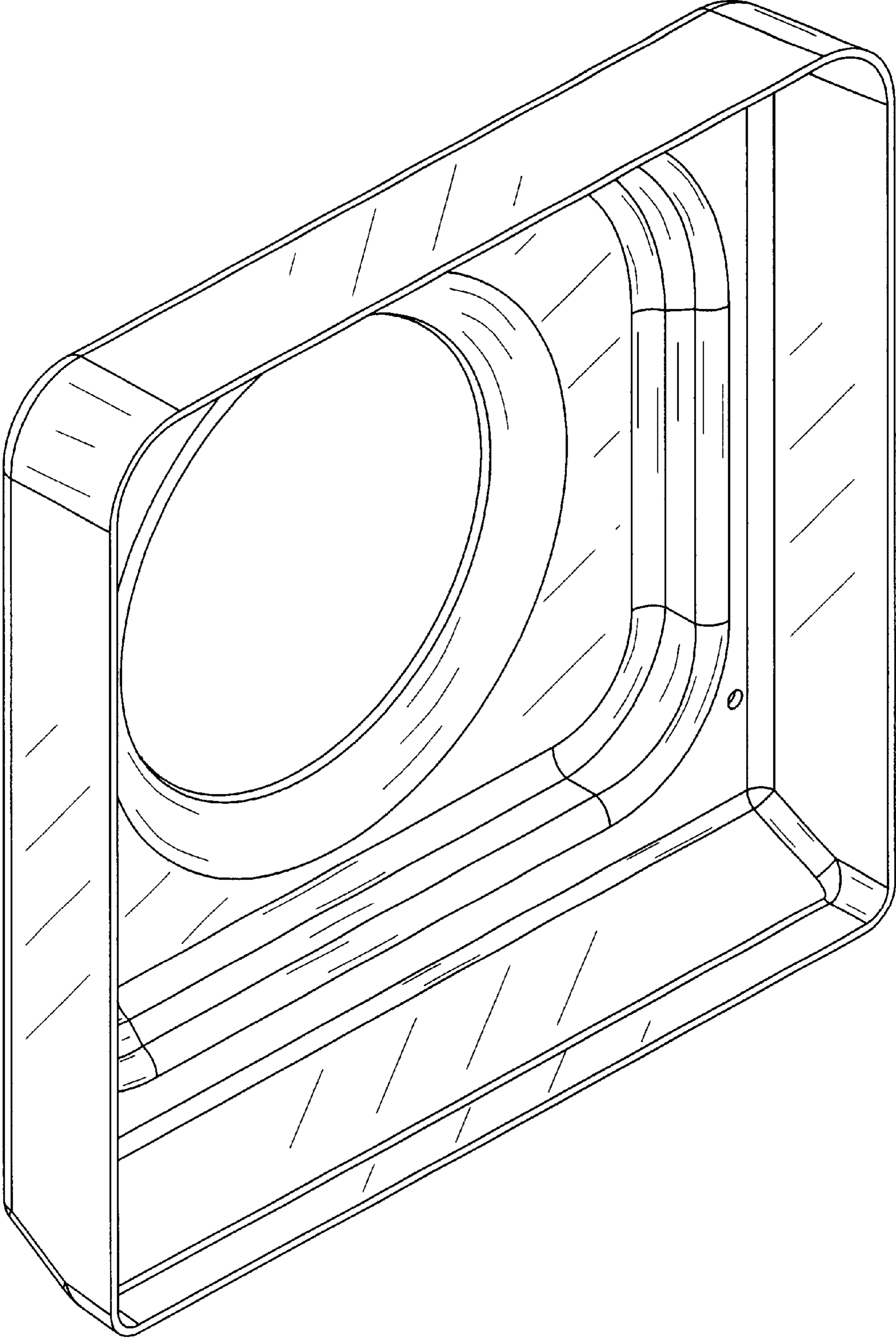


Fig. 8