

US00D536072S

(12) **United States Design Patent**  
**Bouroullec et al.**

(10) **Patent No.:** **US D536,072 S**  
(45) **Date of Patent:** **\*\* Jan. 30, 2007**

(54) **WASH STATION**

(75) Inventors: **Ronan Bouroullec**, Saint-Louis (FR);  
**Erwan Bouroullec**, Saint-Louis (FR)

(73) Assignee: **Hansgrohe AG** (DE)

(\*\*) Term: **14 Years**

(21) Appl. No.: **29/239,483**

(22) Filed: **Sep. 30, 2005**

(30) **Foreign Application Priority Data**

Apr. 8, 2005 (EM) ..... 000324223-0012

(51) **LOC (8) Cl.** ..... **23-02**

(52) **U.S. Cl.** ..... **D23/271**

(58) **Field of Classification Search** ..... D23/238-257,  
D23/271; 4/675-678, 619; 137/801; D6/555  
See application file for complete search history.

(56) **References Cited**

**U.S. PATENT DOCUMENTS**

- D50,209 S \* 1/1917 Phelan ..... D6/559
- D162,613 S \* 3/1951 Ball et al. .... D23/271
- D164,981 S \* 10/1951 Boggs ..... D6/555
- 4,574,407 A \* 3/1986 Didia ..... 4/559

- D314,486 S \* 2/1991 Day ..... D6/555
- D338,949 S \* 8/1993 Paulin et al. .... D23/271
- D370,816 S \* 6/1996 Hofman et al. .... D6/568
- D396,959 S \* 8/1998 Wolff ..... D6/301
- 6,631,525 B2 \* 10/2003 Piatt et al. .... 4/619

\* cited by examiner

*Primary Examiner*—Louis S. Zarfes

*Assistant Examiner*—Gregory Andoll

(74) *Attorney, Agent, or Firm*—Kwadjo Adusei-Poku;  
Lloyd D. Doigan

(57) **CLAIM**

The ornamental design for a wash station, as shown and described.

**DESCRIPTION**

FIG. 1 is a front perspective view of a wash station showing our design;

FIG. 2 is a front elevational view thereof;

FIG. 3 is a right side elevational view thereof;

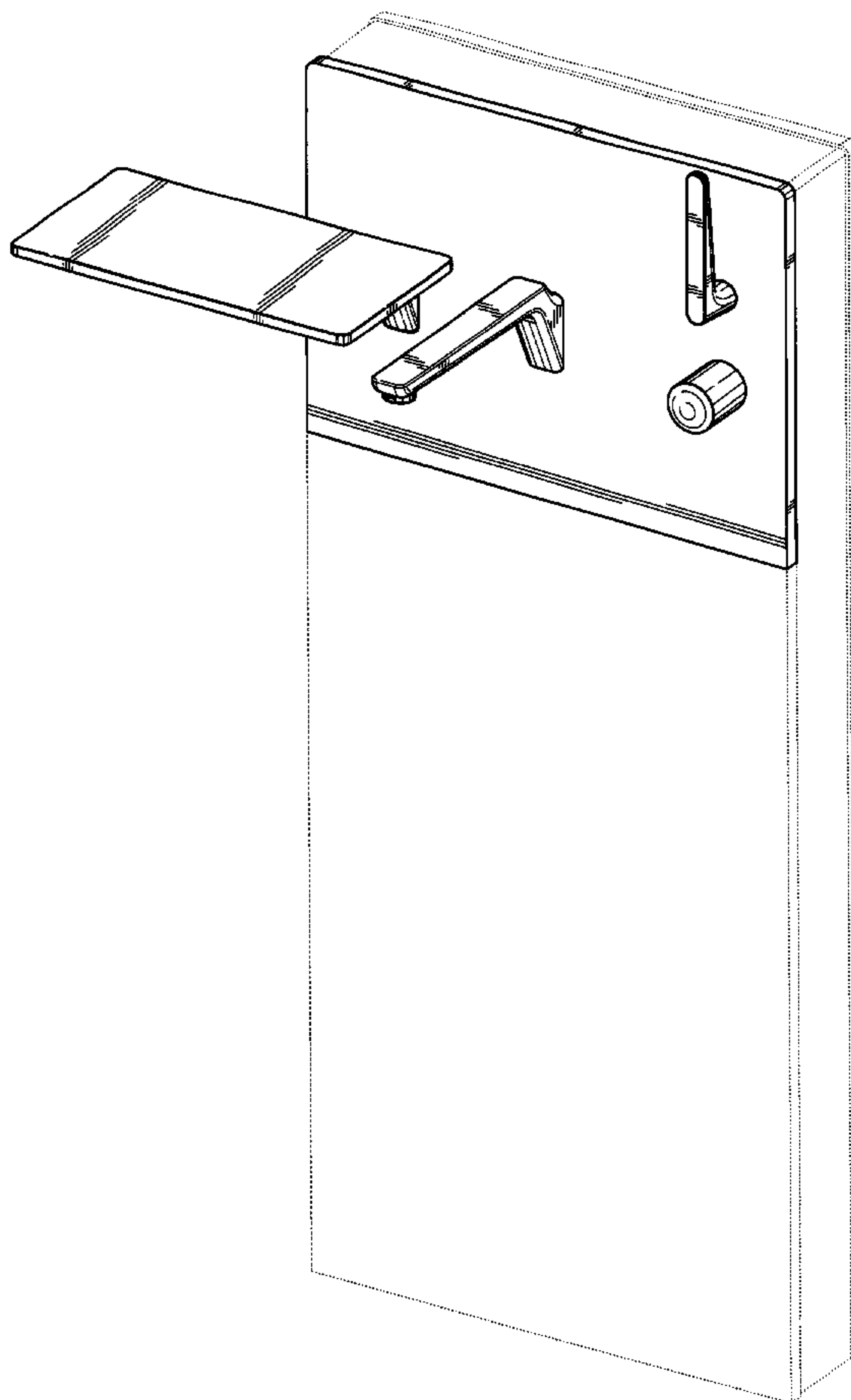
FIG. 4 is a left side elevational view thereof;

FIG. 5 is a top plan view thereof; and,

FIG. 6 is a bottom plan view thereof.

The broken lines in the Figures are for illustrative purposes only and form no part of the claimed design.

**1 Claim, 5 Drawing Sheets**



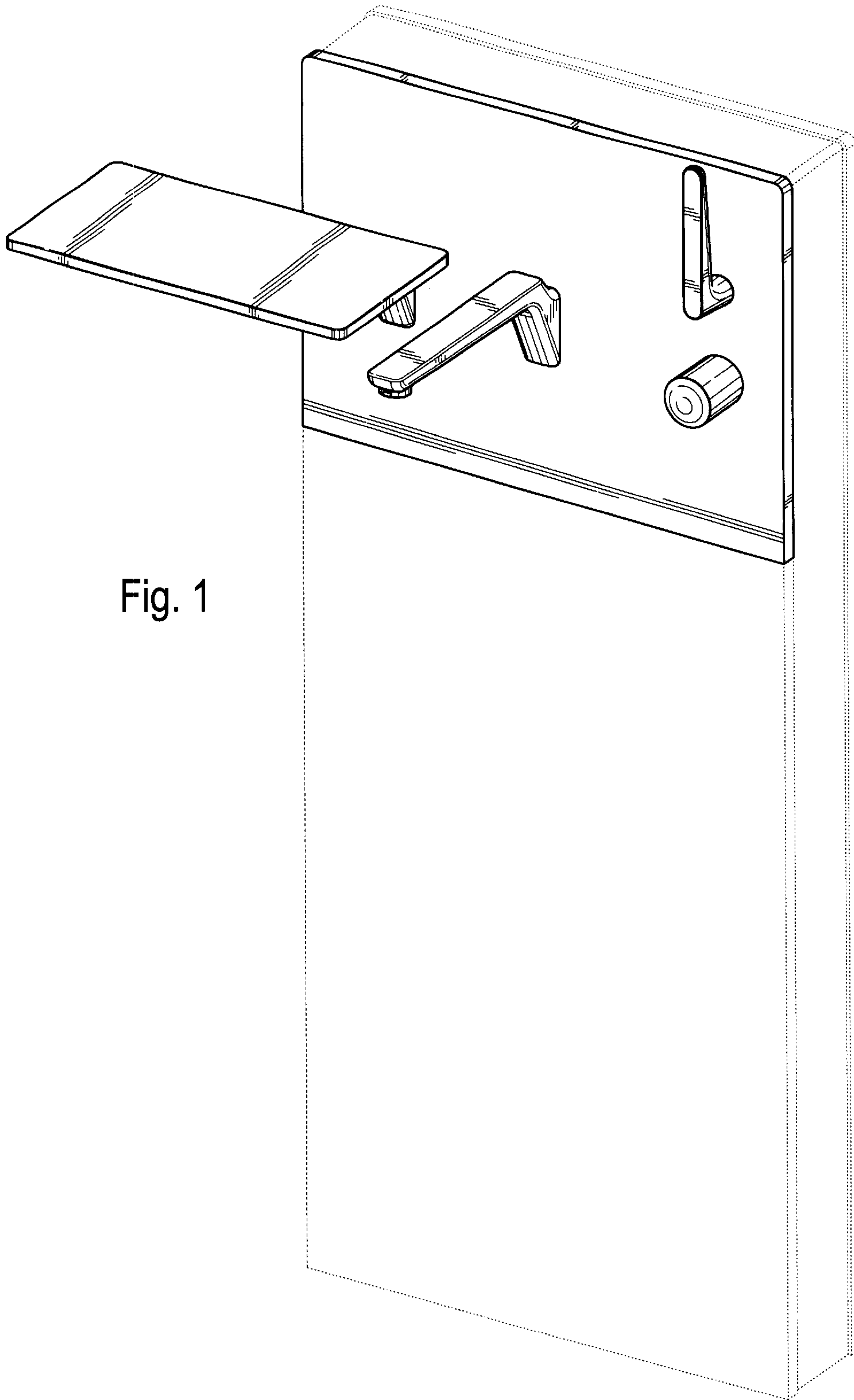


Fig. 1

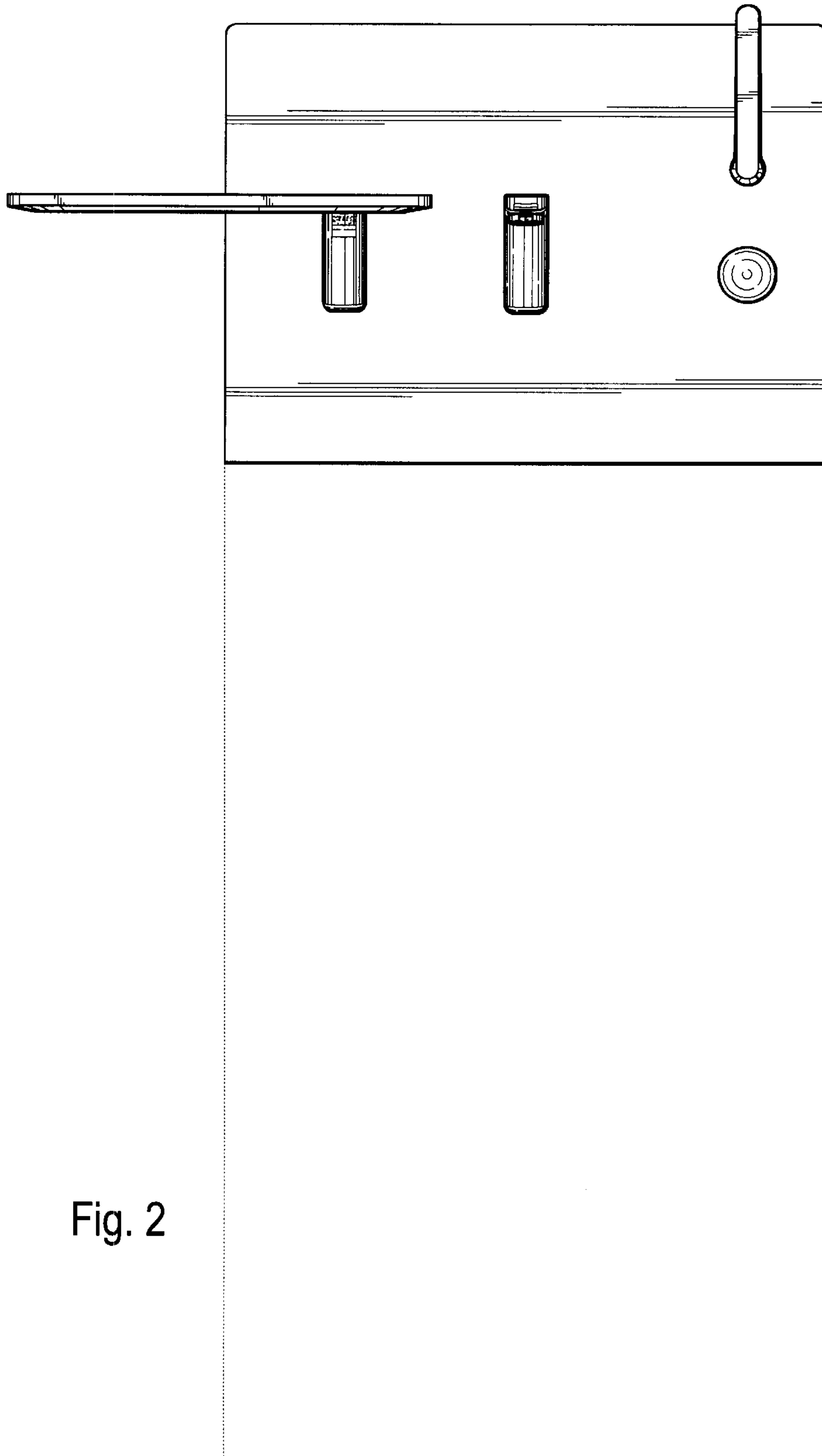


Fig. 2

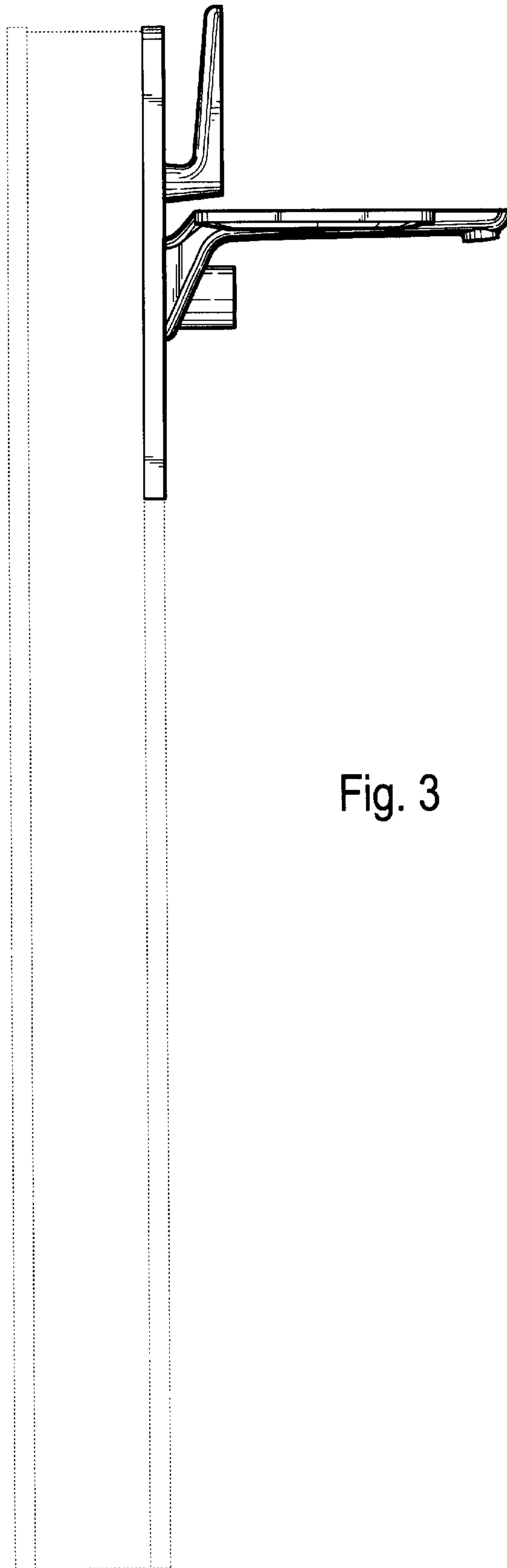


Fig. 3

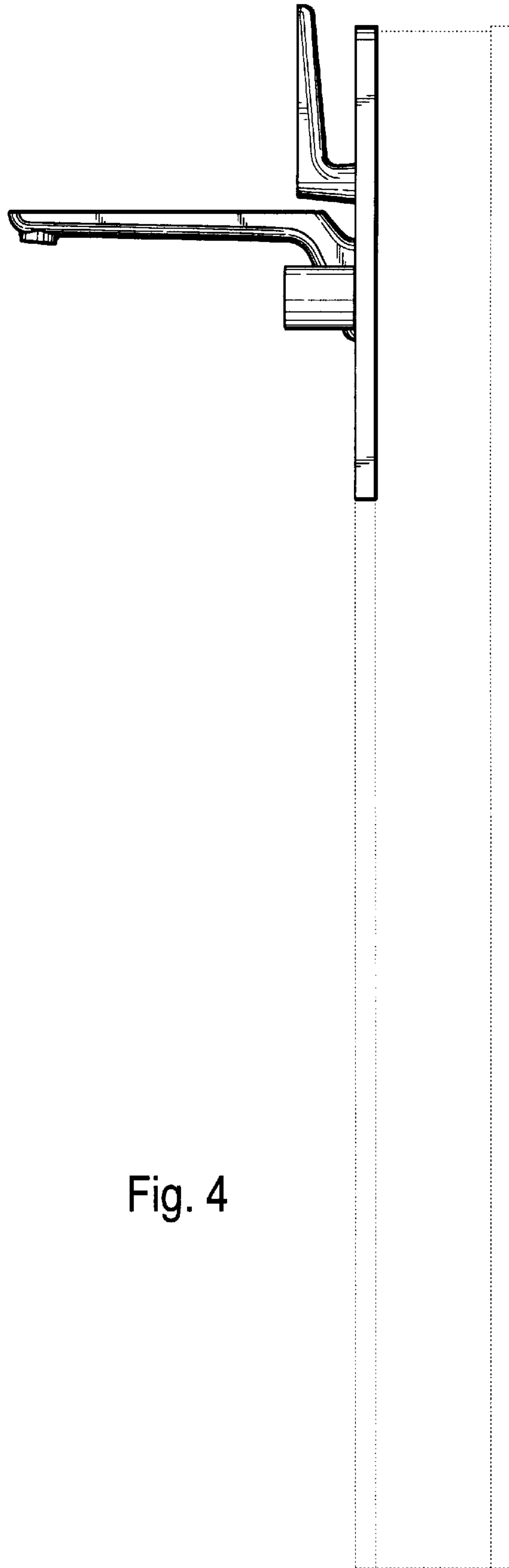


Fig. 4

