

US00D536070S

(12) **United States Design Patent**
Gilbert

(10) **Patent No.:** **US D536,070 S**
(45) **Date of Patent:** **** Jan. 30, 2007**

(54) **SPOUT**

(75) Inventor: **Christopher Jon Gilbert**, Moreland Hills, OH (US)

(73) Assignee: **Moen Incorporated**, North Olmsted, OH (US)

(**) Term: **14 Years**

(21) Appl. No.: **29/258,411**

(22) Filed: **Apr. 20, 2006**

(51) **LOC (8) Cl.** **23-01**

(52) **U.S. Cl.** **D23/255; D23/238**

(58) **Field of Classification Search** **D23/238-257; 4/675-678; 137/801**

See application file for complete search history.

(56) **References Cited**

U.S. PATENT DOCUMENTS

242,398 A	5/1881	Trout
D40,106 S	6/1909	Yacoobian
D266,864 S	11/1982	Parise et al.
4,823,409 A	4/1989	Gaffney et al.
D301,053 S	5/1989	Rodstein
D301,517 S	6/1989	Anawalt
D312,681 S	12/1990	Kohler, Jr. et al.
D312,866 S	12/1990	Gaffney et al.
D319,685 S	9/1991	Kohler, Jr. et al.
D322,472 S	12/1991	Kohler, Jr. et al.

D326,504 S	5/1992	Robbins	
D444,859 S	7/2001	Slothower	
D444,860 S	7/2001	Slothower	
D465,556 S	11/2002	Ouyoung	
D513,064 S	* 12/2005	Zetsche D23/291
D521,615 S	* 5/2006	Cen et al. D23/289

FOREIGN PATENT DOCUMENTS

EP 0 275 084 A2 7/1988

* cited by examiner

Primary Examiner—Louis S. Zarfaz

Assistant Examiner—Gregory Andoll

(74) *Attorney, Agent, or Firm*—Calfee, Halter & Griswold LLP

(57) **CLAIM**

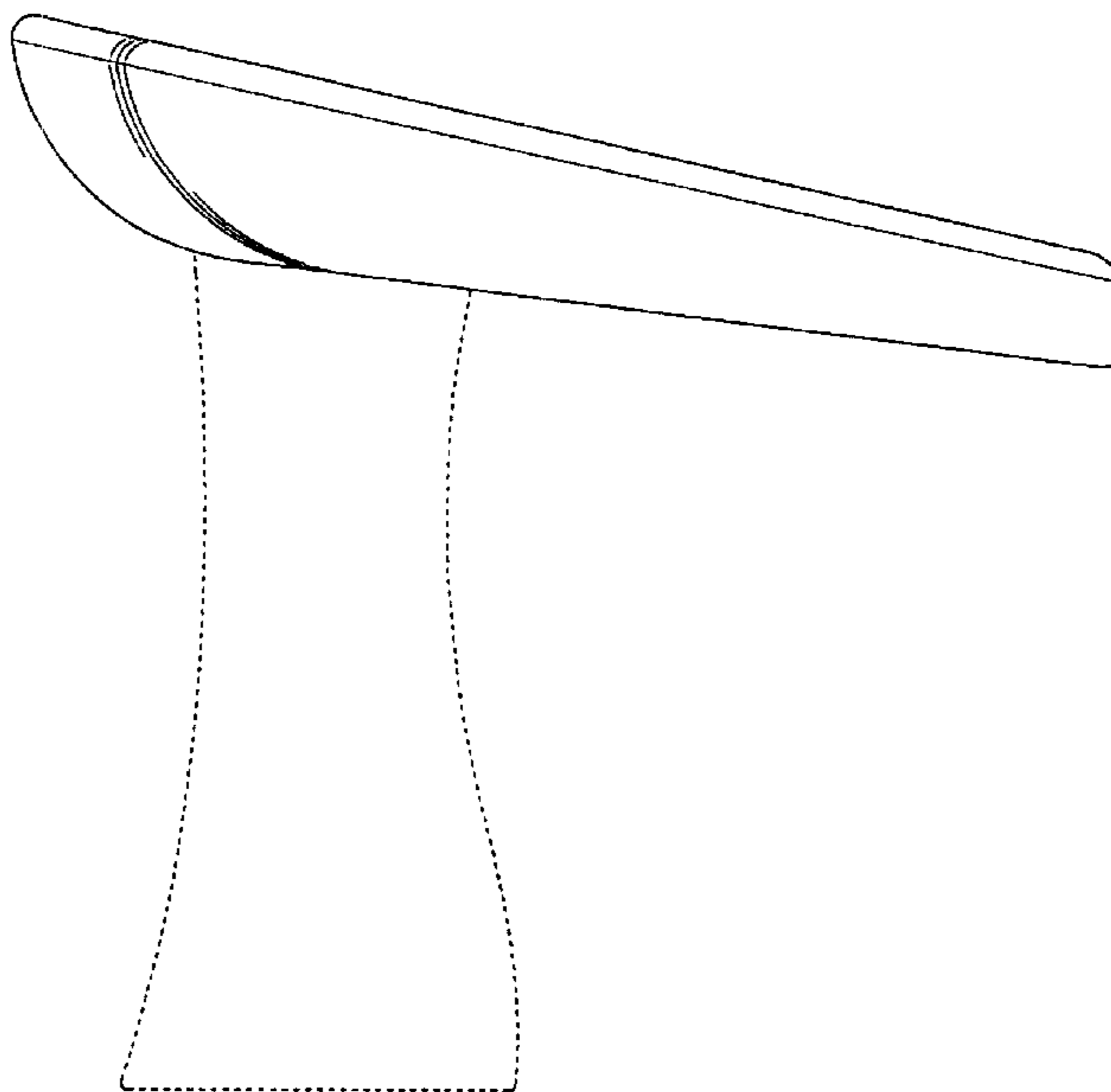
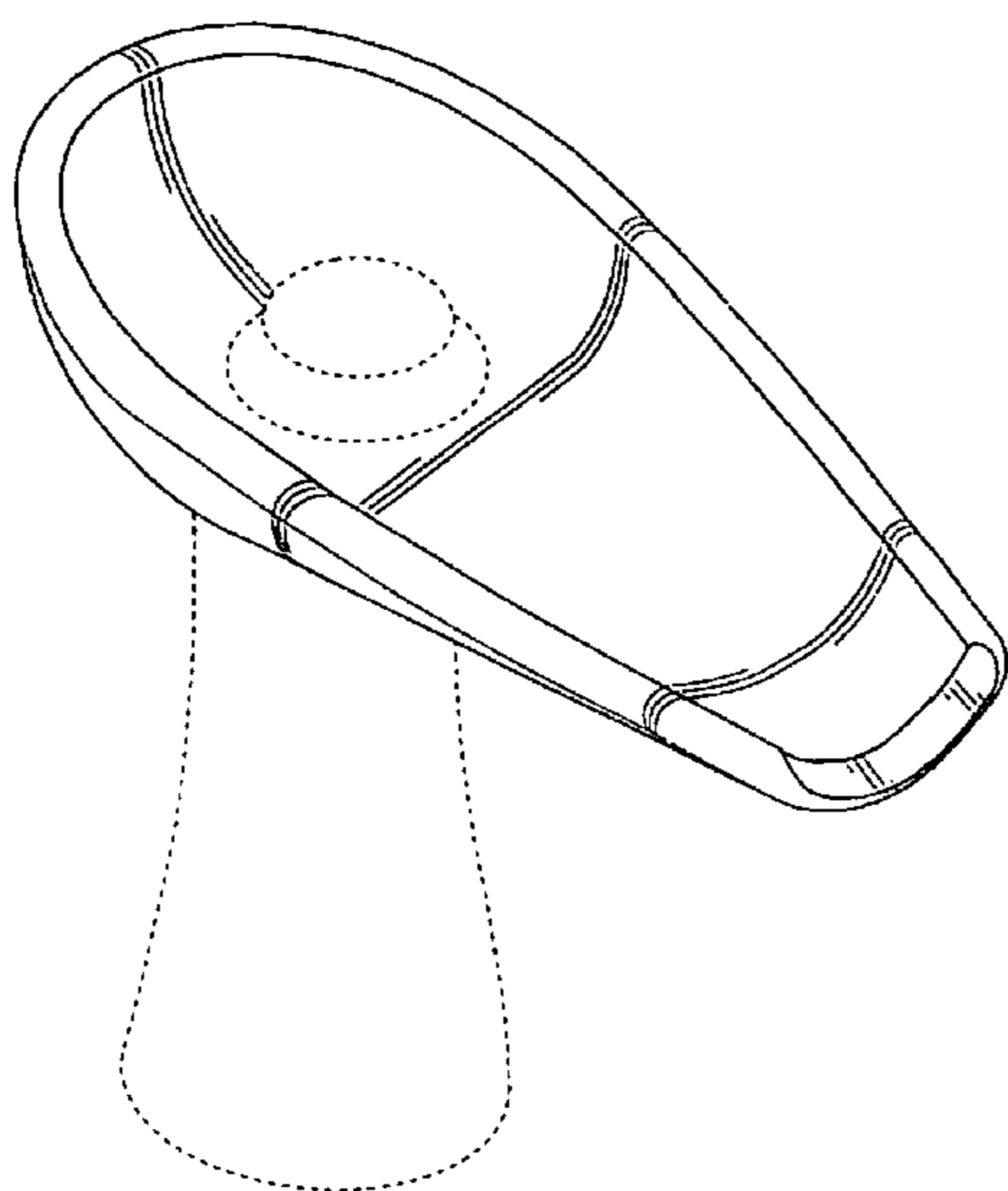
The ornamental design for a spout, as shown and described.

DESCRIPTION

FIG. 1 is a perspective view of a spout of the new design; FIG. 2 is a front elevational view of the spout of FIG. 1; FIG. 3 is a rear elevational view of the spout of FIG. 1; FIG. 4 is a left side elevational view of the spout of FIG. 1; FIG. 5 is a top plan view of the spout of FIG. 1; and, FIG. 6 is a bottom plan view of the spout of FIG. 1.

The portions of the Figures shown in broken lines are not part of the claimed design and are for illustration only.

1 Claim, 3 Drawing Sheets



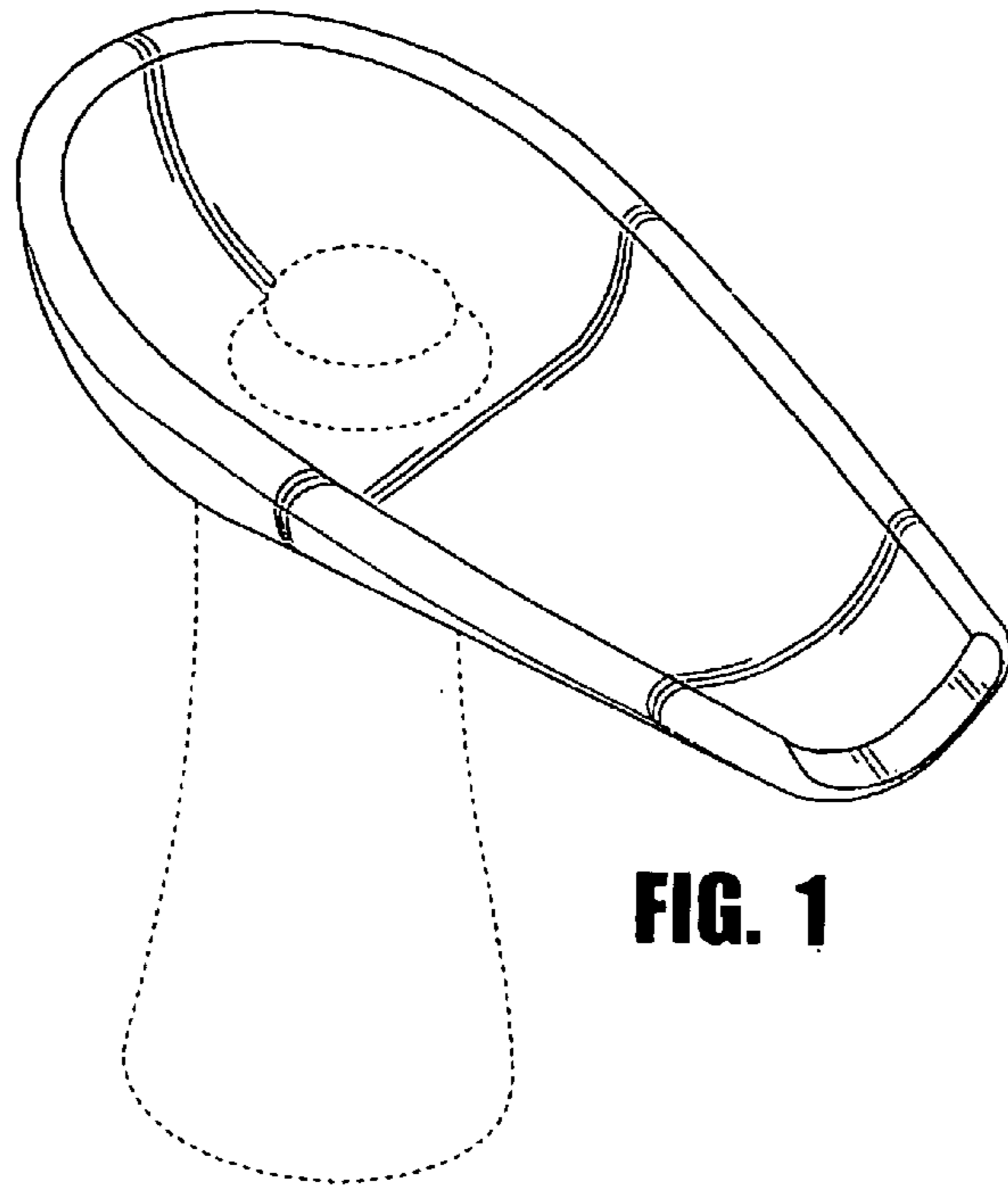


FIG. 1

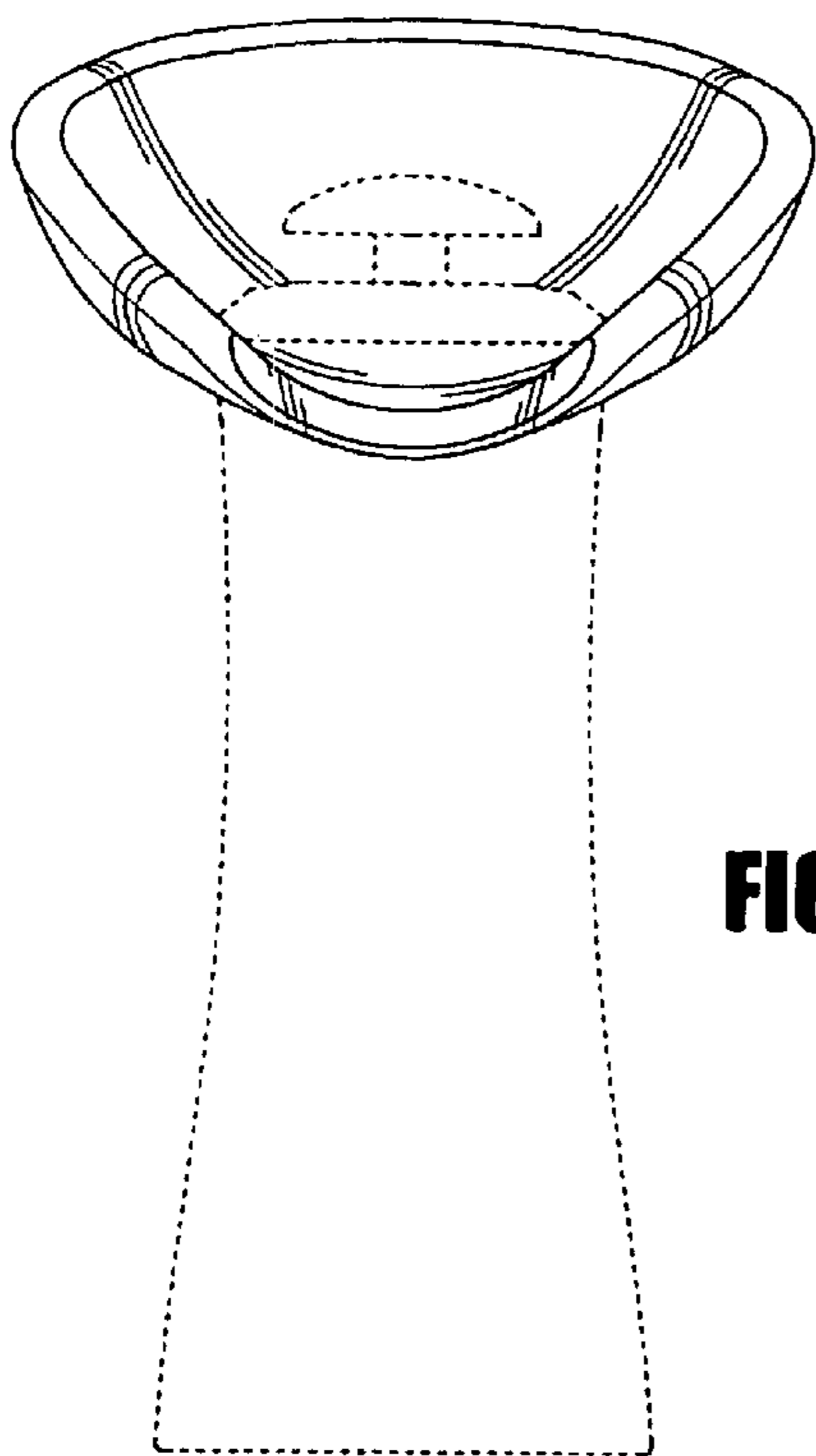


FIG. 2

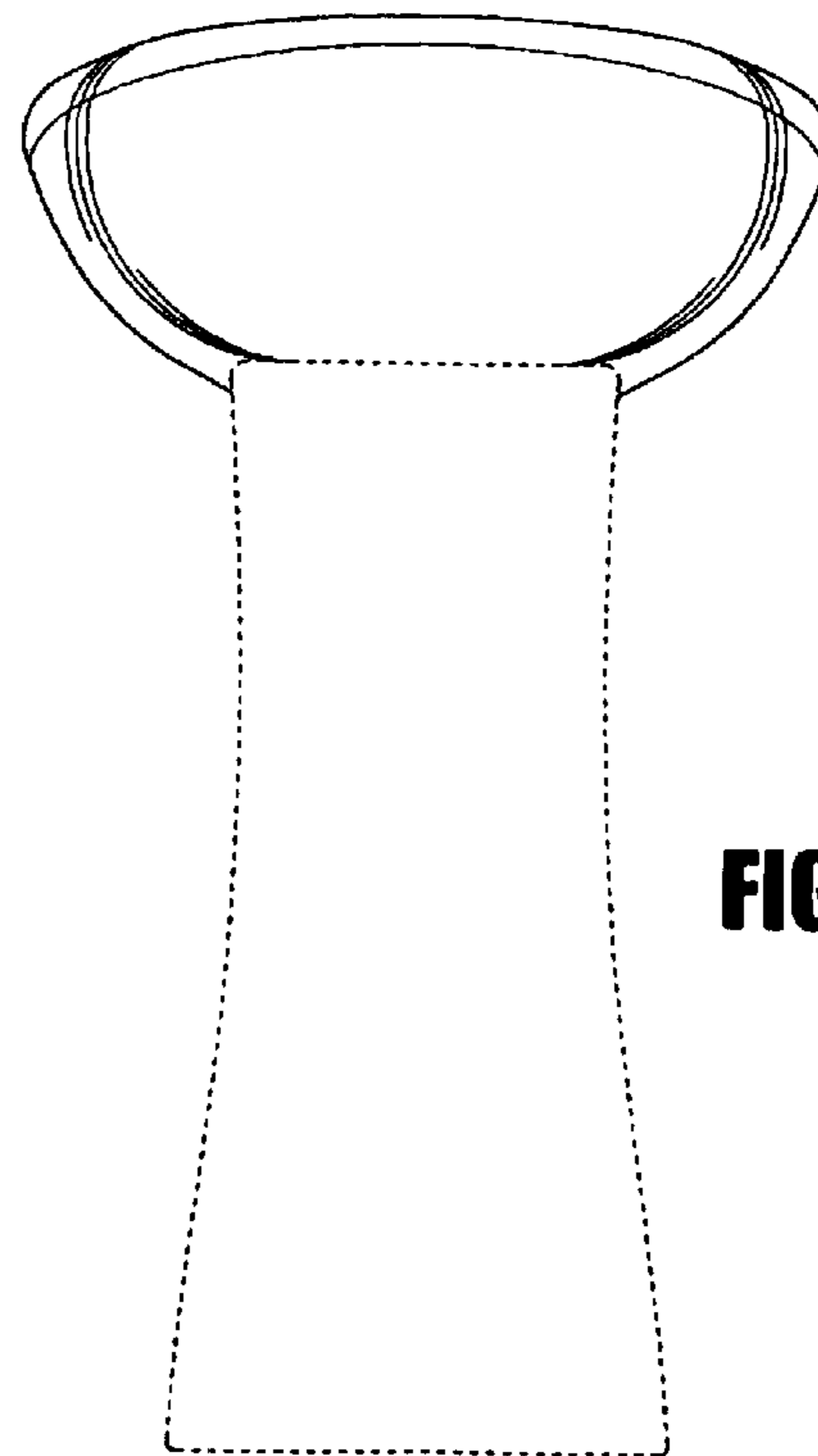


FIG. 3

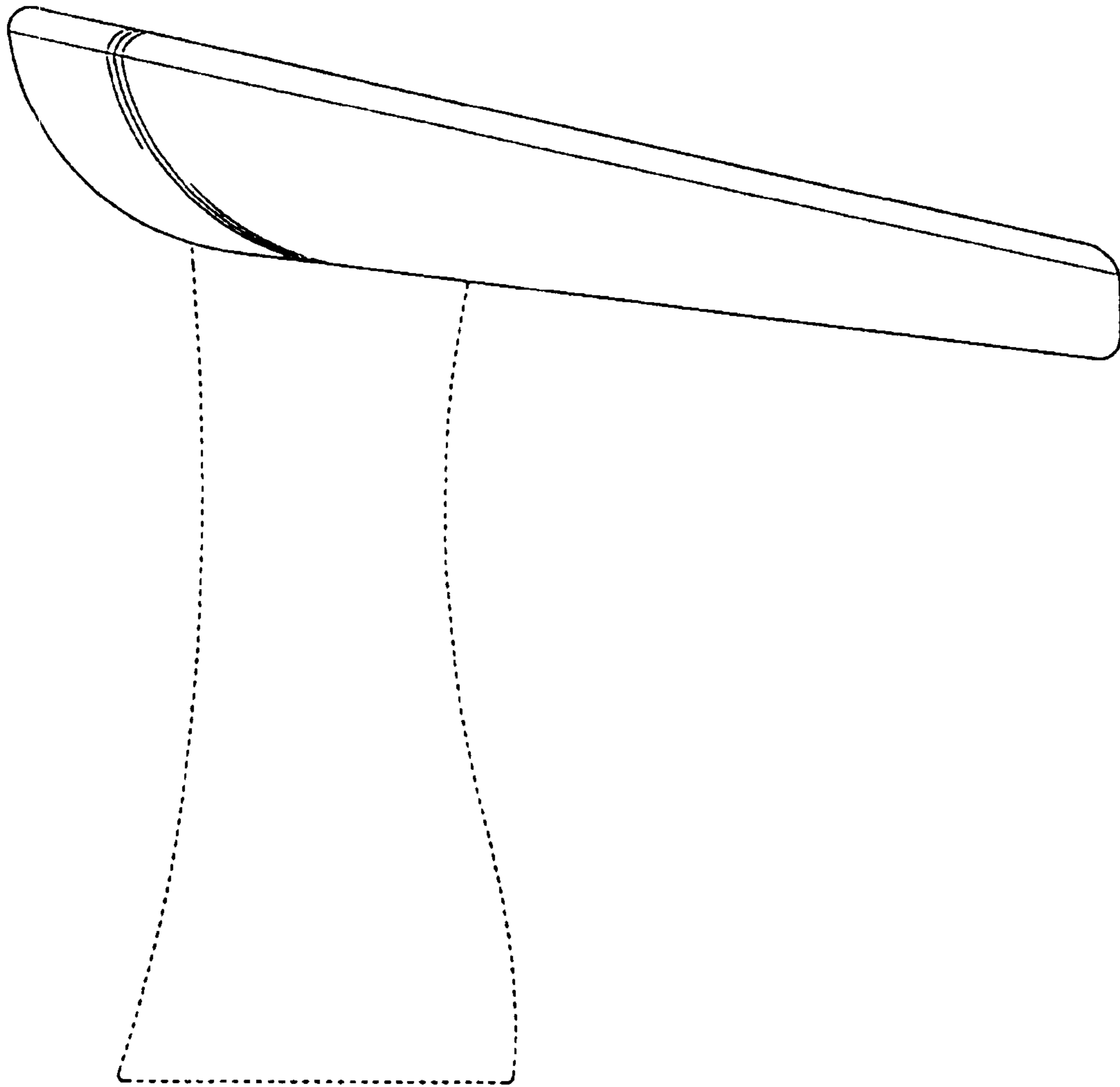


FIG. 4

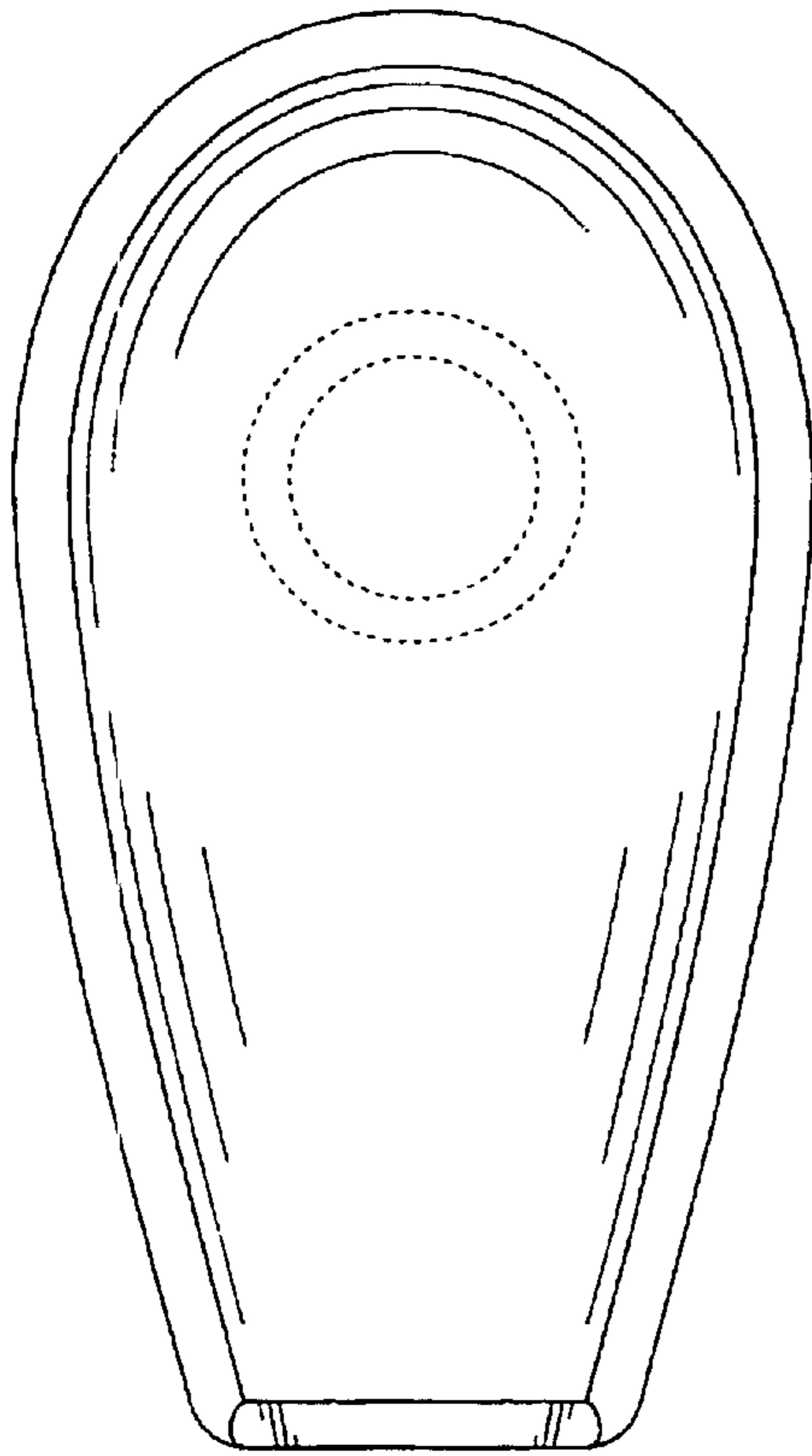


FIG. 5

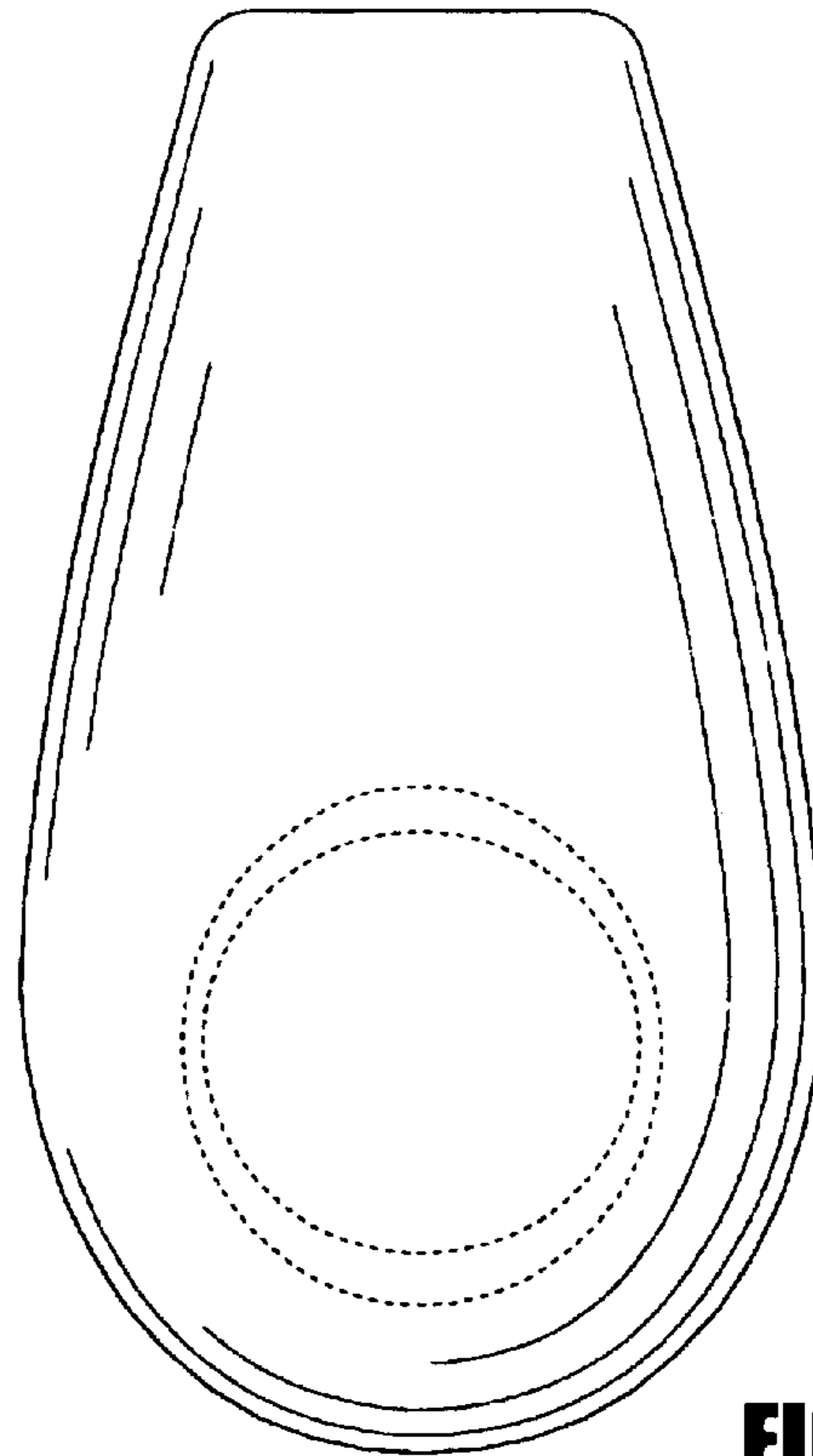


FIG. 6