



US00D536068S

(12) **United States Design Patent**  
**Grether**

(10) **Patent No.:** **US D536,068 S**

(45) **Date of Patent:** **\*\* Jan. 30, 2007**

(54) **FLOW REGULATOR**

(75) Inventor: **Hermann Grether**, Müllheim (DE)

(73) Assignee: **Neoperl GmbH**, Mullheim (DE)

(\*\*) Term: **14 Years**

(21) Appl. No.: **29/260,252**

(22) Filed: **May 22, 2006**

4,874,017 A	*	10/1989	Hendrickson	.....	138/45
4,971,117 A	*	11/1990	Hendrickson	.....	138/41
5,467,929 A		11/1995	Bosio		
D428,114 S		7/2000	Le Bars		
D428,483 S	*	7/2000	Balint	.....	D23/387
6,126,093 A		10/2000	Grether et al.		
6,152,182 A		11/2000	Grether et al.		
6,571,831 B1	*	6/2003	Hart	.....	138/46
6,892,964 B2		5/2005	Grether et al.		
6,902,123 B2		6/2005	Grether et al.		
D516,182 S		2/2006	Buttgen		
2006/0011748 A1		1/2006	Ferrari		

**Related U.S. Application Data**

(62) Division of application No. 29/224,543, filed on Mar. 3, 2005.

(30) **Foreign Application Priority Data**

Sep. 3, 2004 (EP) ..... 000223235

(51) **LOC (8) Cl.** ..... **23-01**

(52) **U.S. Cl.** ..... **D23/249**

(58) **Field of Classification Search** ..... D23/233-249,  
D23/213, 255, 257, 241, 242, 260; 138/41,  
138/42, 37, 40; 239/428.5, 552, 553.5, 553.3;  
261/DIG. 22

See application file for complete search history.

(56) **References Cited**

**U.S. PATENT DOCUMENTS**

2,487,023 A	*	11/1949	Lehmann	.....	239/447
2,793,016 A		5/1957	Aghnides		
4,313,564 A		2/1982	Shames et al.		

\* cited by examiner

*Primary Examiner*—Ian Simmons

*Assistant Examiner*—Maurice Stevens

(74) *Attorney, Agent, or Firm*—Volpe & Koenig, P.C.

(57) **CLAIM**

The ornamental design for a flow regulator, as shown and described.

**DESCRIPTION**

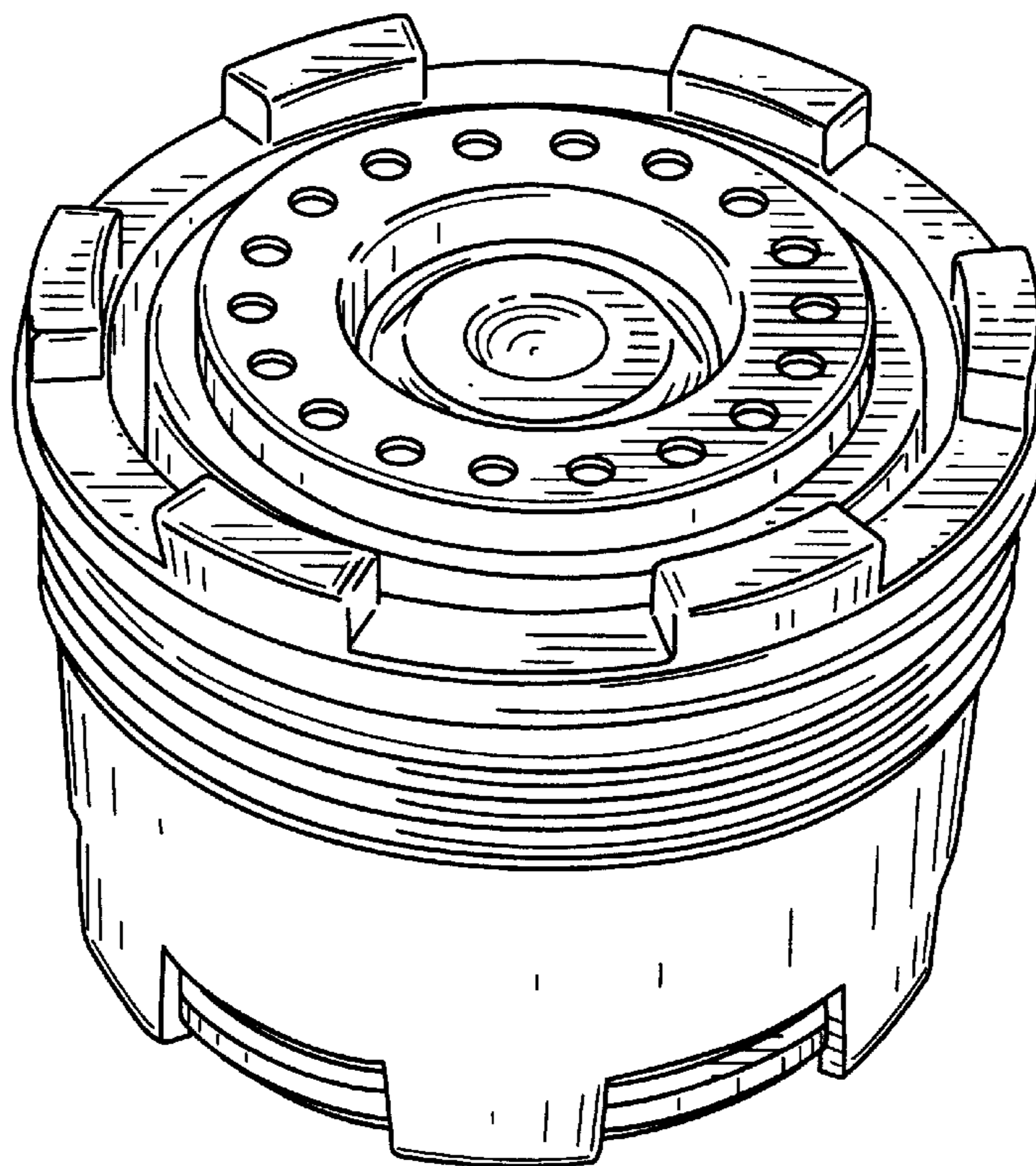
FIG. 1 is a top perspective view of a flow regulator showing my new design;

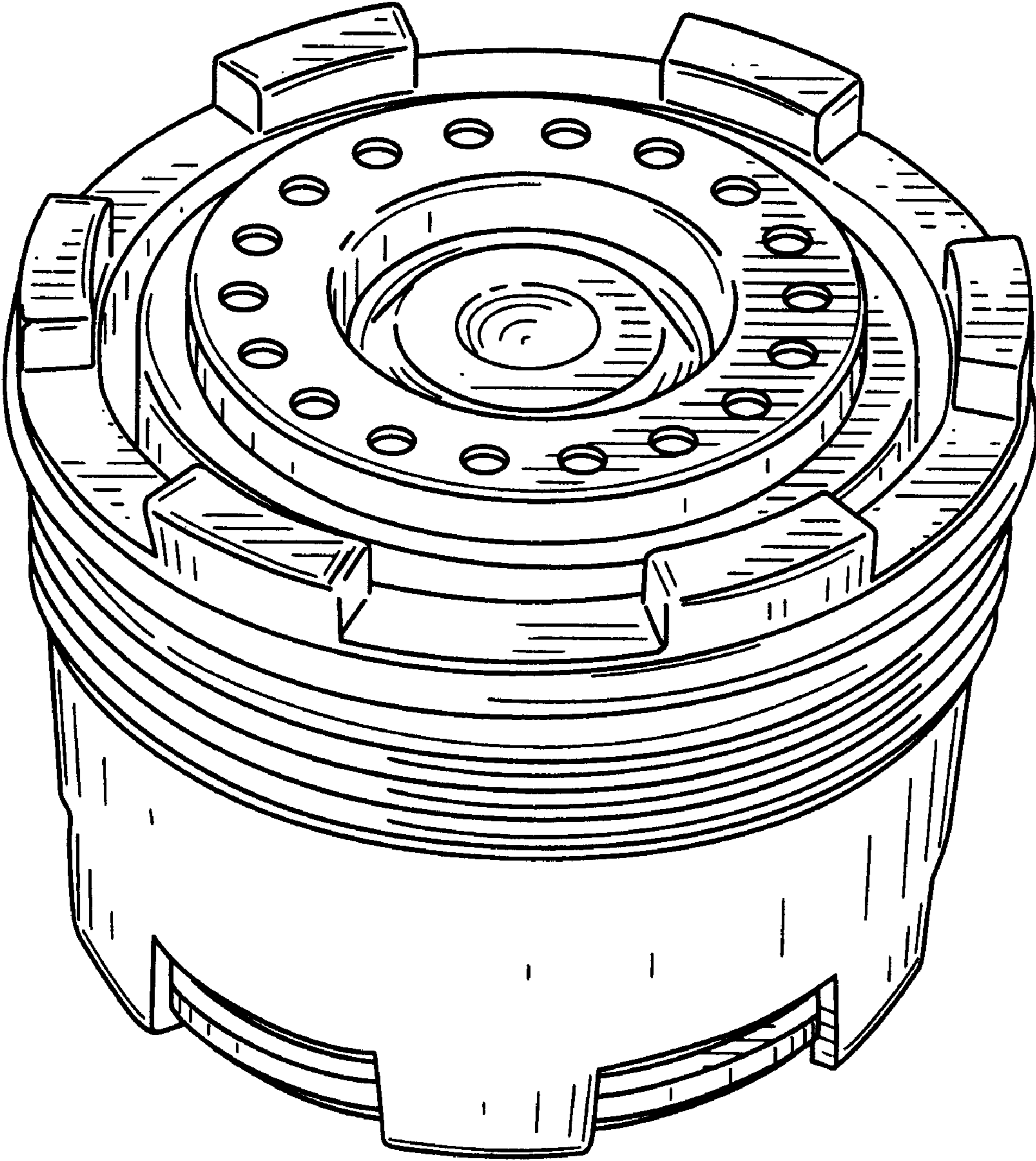
FIG. 2 is an elevational view thereof;

FIG. 3 is a top plan view thereof; and,

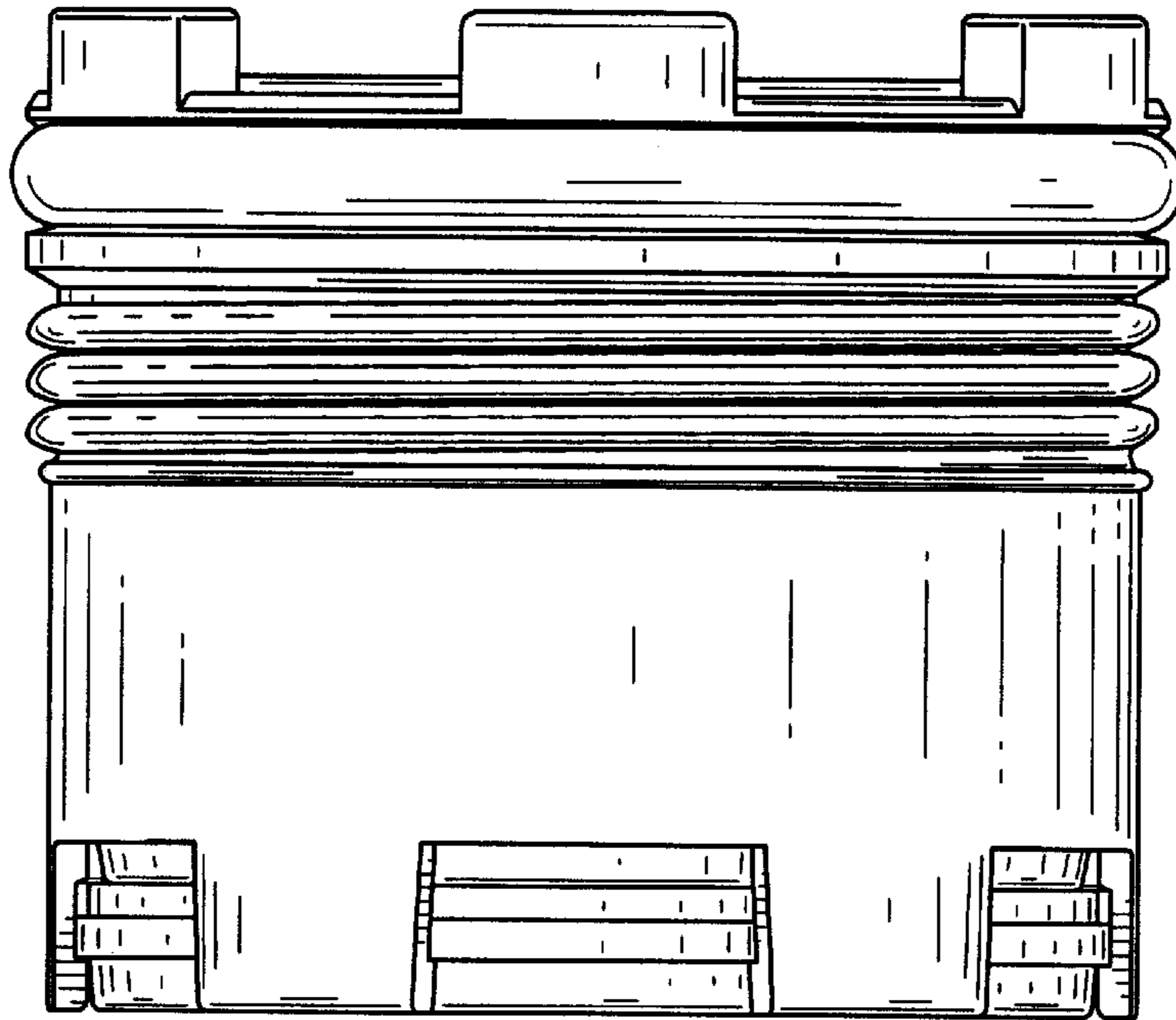
FIG. 4 is a bottom plan view thereof, wherein the dashed lines show environmental matter for illustrative purposes only and do not form part of the claimed design.

**1 Claim, 3 Drawing Sheets**

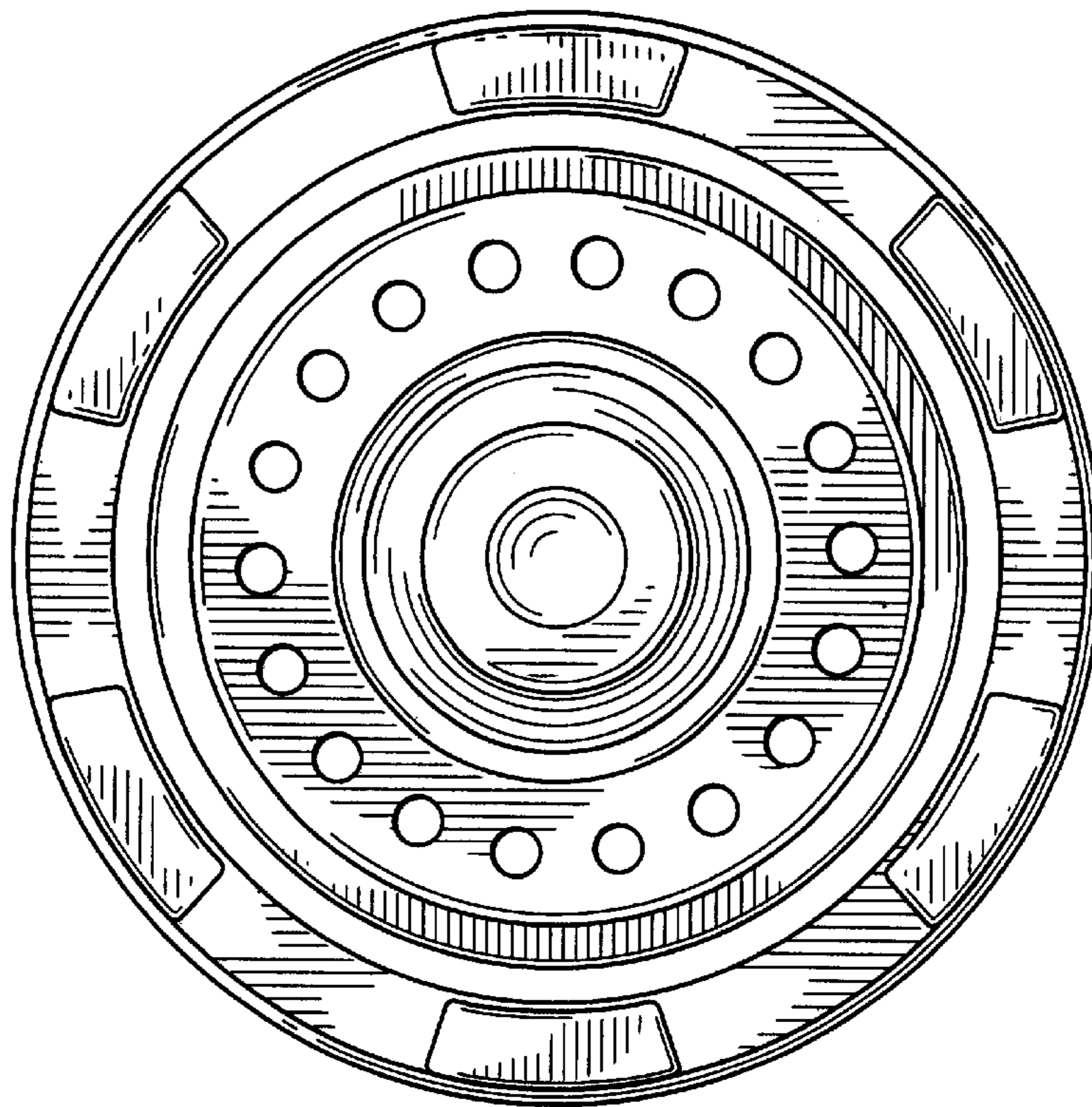




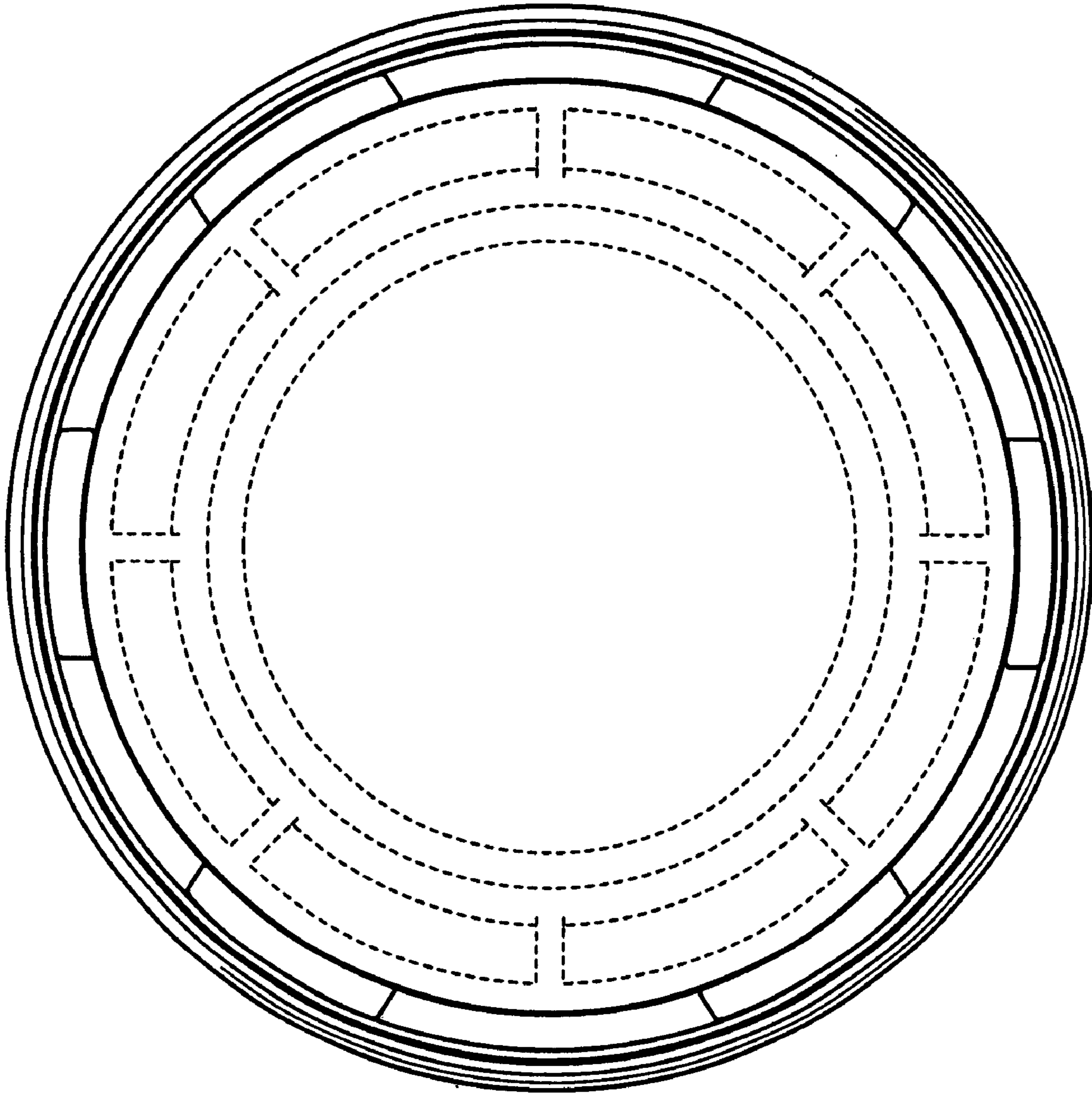
**FIG. 1**



**FIG. 2**



**FIG. 3**



**FIG. 4**