



US00D536065S

(12) **United States Design Patent**  
**Wang**

(10) **Patent No.:** **US D536,065 S**

(45) **Date of Patent:** **\*\* Jan. 30, 2007**

(54) **FAUCET**

(75) Inventor: **Ruler Wang**, Taichung (TW)

(73) Assignee: **Globe Union Industrial Corp.**,  
Taichung (TW)

(\*\*) Term: **14 Years**

(21) Appl. No.: **29/246,535**

(22) Filed: **Apr. 21, 2006**

(51) **LOC (8) Cl.** ..... **23-01**

(52) **U.S. Cl.** ..... **D23/238**

(58) **Field of Classification Search** ..... D23/238-257;  
4/675-678; 137/801

See application file for complete search history.

(56) **References Cited**

**U.S. PATENT DOCUMENTS**

D509,283 S \* 9/2005 Sieger ..... D23/238

D517,652 S \* 3/2006 Egli et al. .... D23/238

\* cited by examiner

*Primary Examiner*—Louis S. Zarfes

*Assistant Examiner*—Gregory Andoll

(74) *Attorney, Agent, or Firm*—Leong C. Lei

(57) **CLAIM**

The ornamental design for a faucet, as shown and described.

**DESCRIPTION**

FIG. 1 is a perspective view of a faucet showing my new design;

FIG. 2 is a front elevational view thereof;

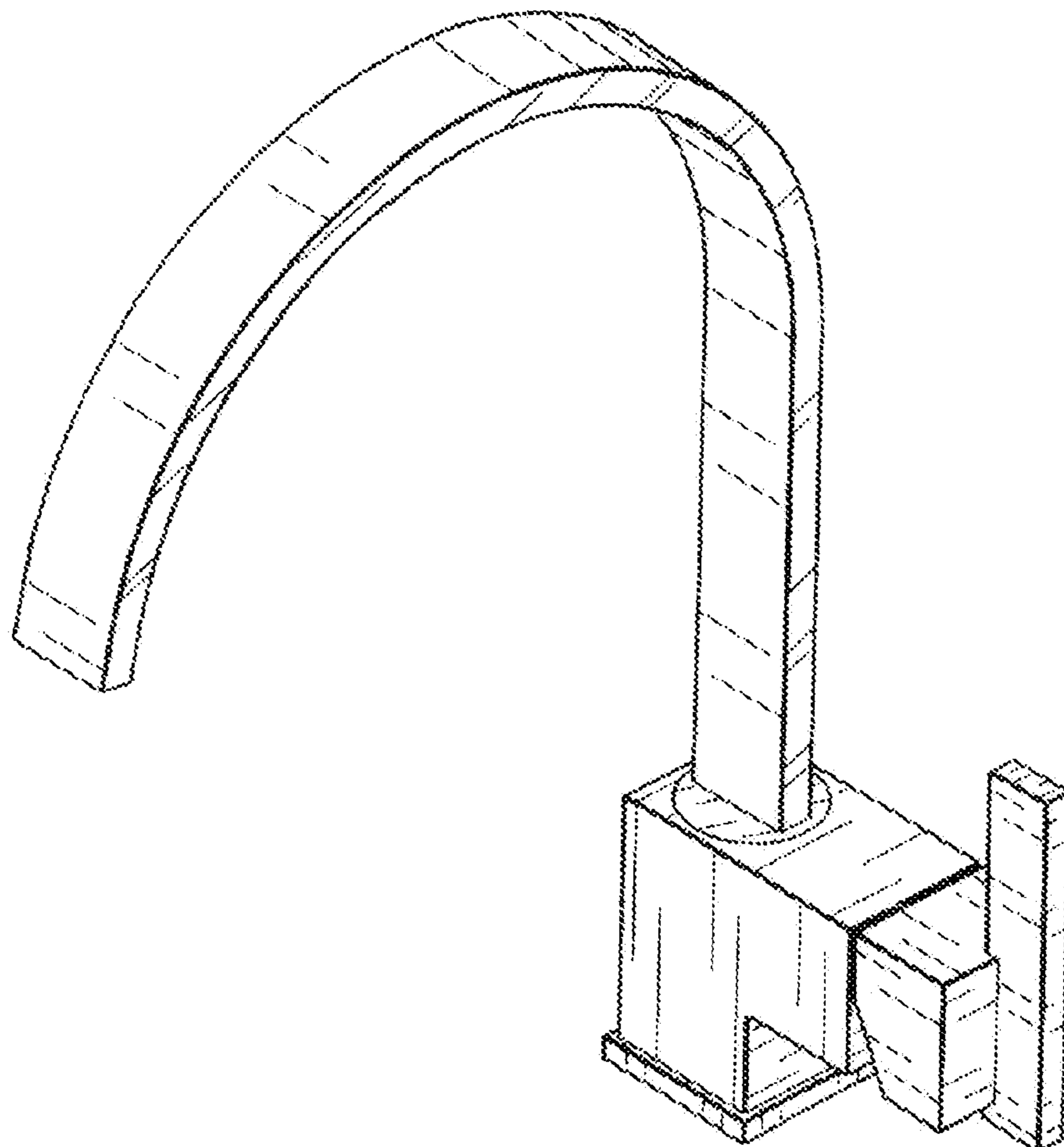
FIG. 3 is a rear elevational view thereof;

FIG. 4 is a left side elevational view thereof;

FIG. 5 is a right side elevational view thereof; and,

FIG. 6 is a top plan view thereof.

**1 Claim, 6 Drawing Sheets**



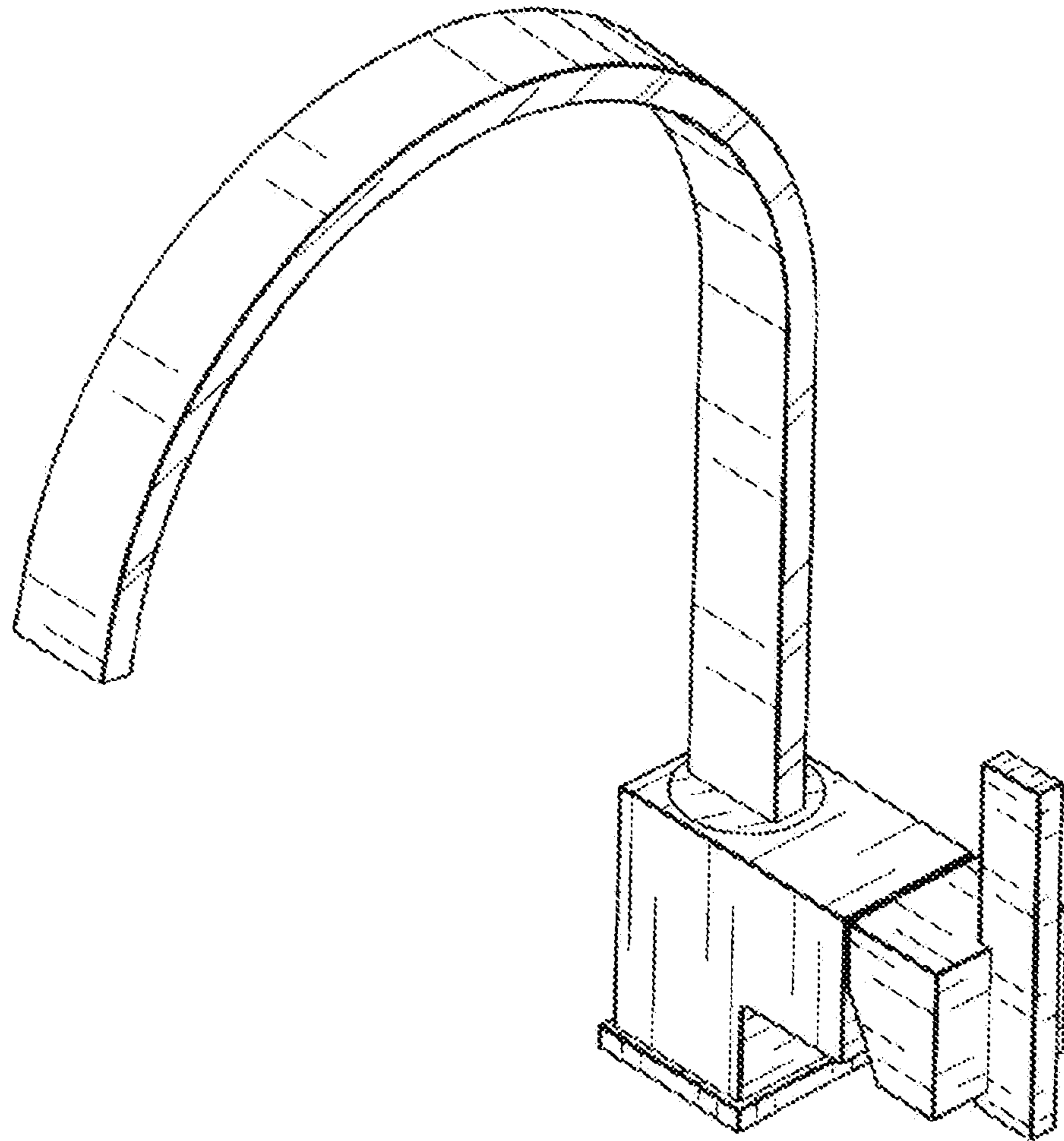


FIG. 1

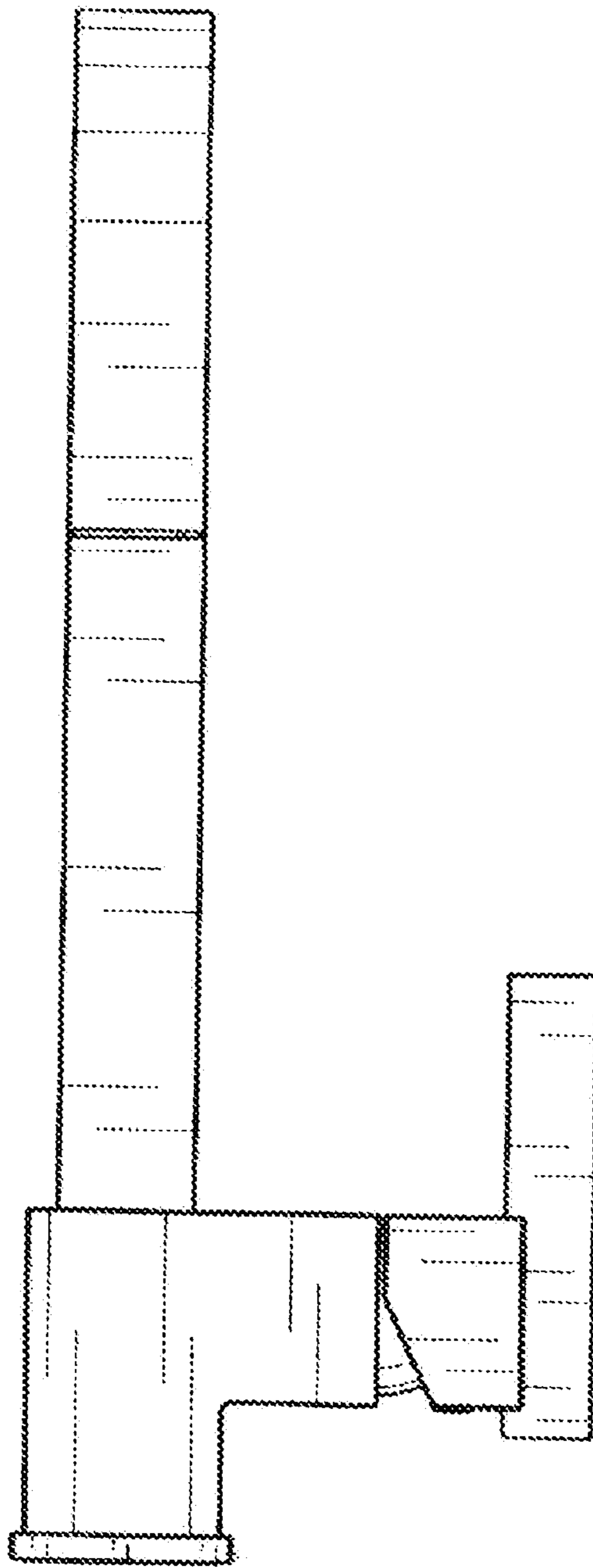


FIG. 2

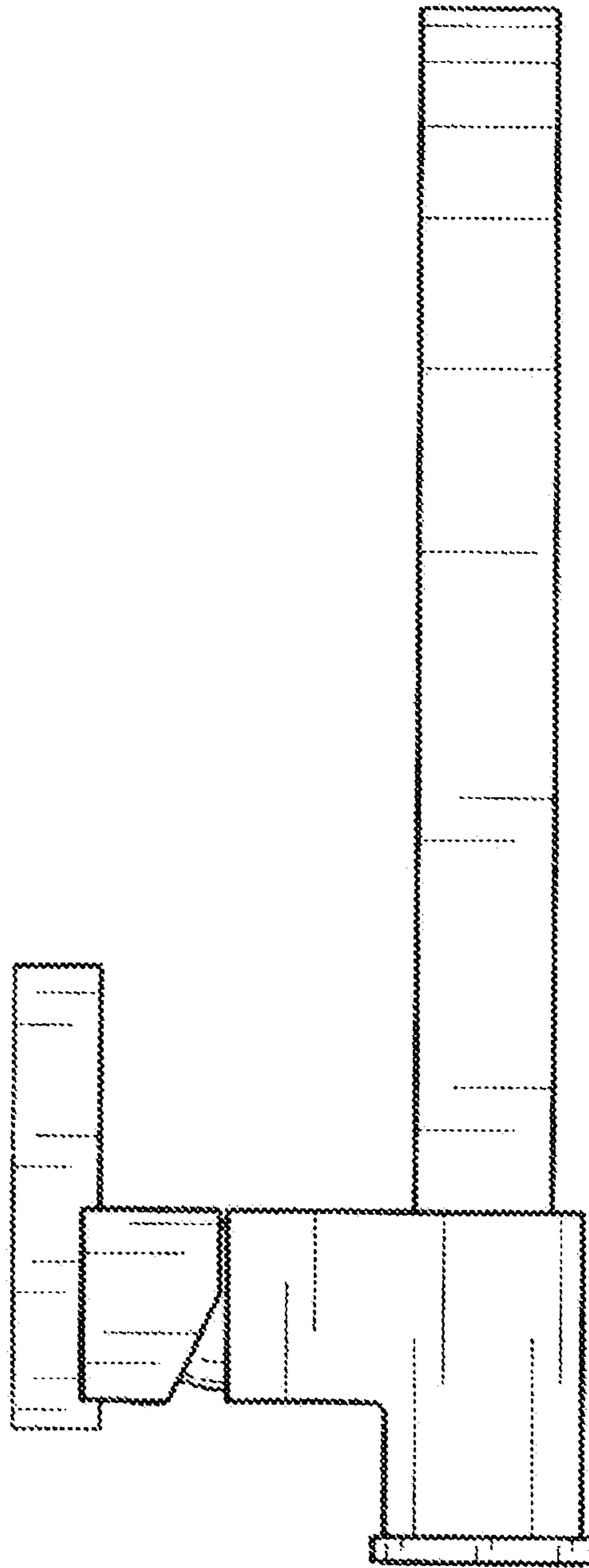


FIG. 3

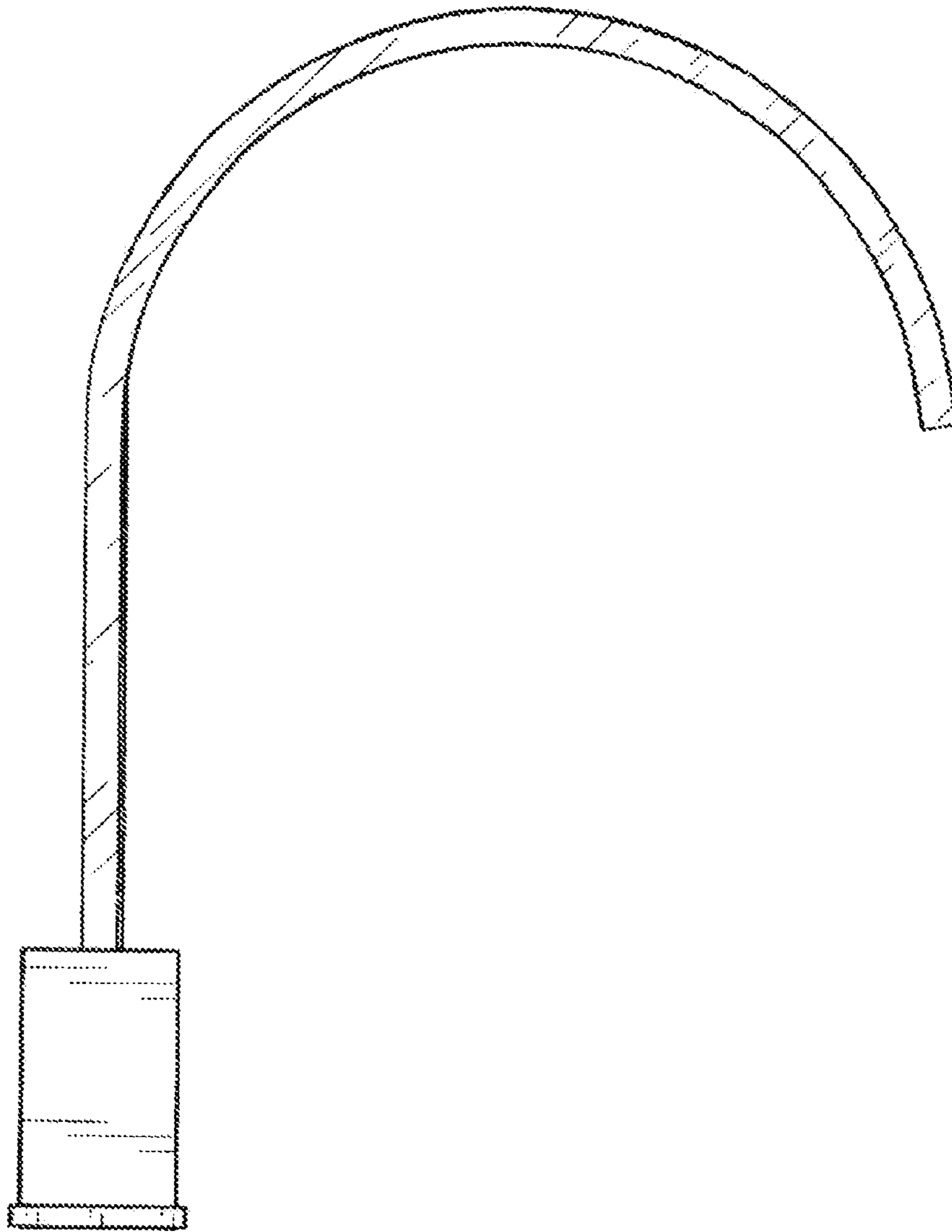


FIG. 4

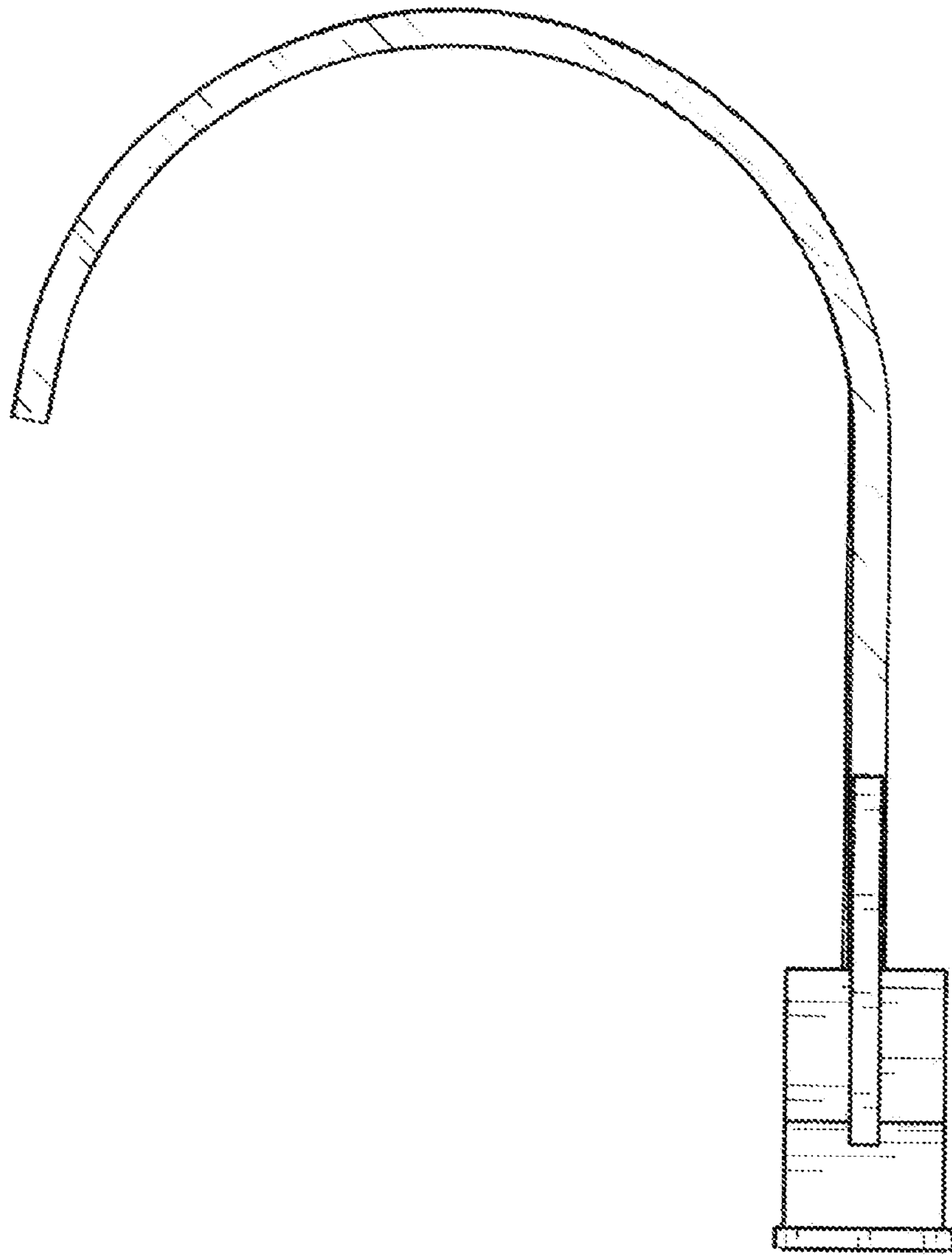


FIG. 5

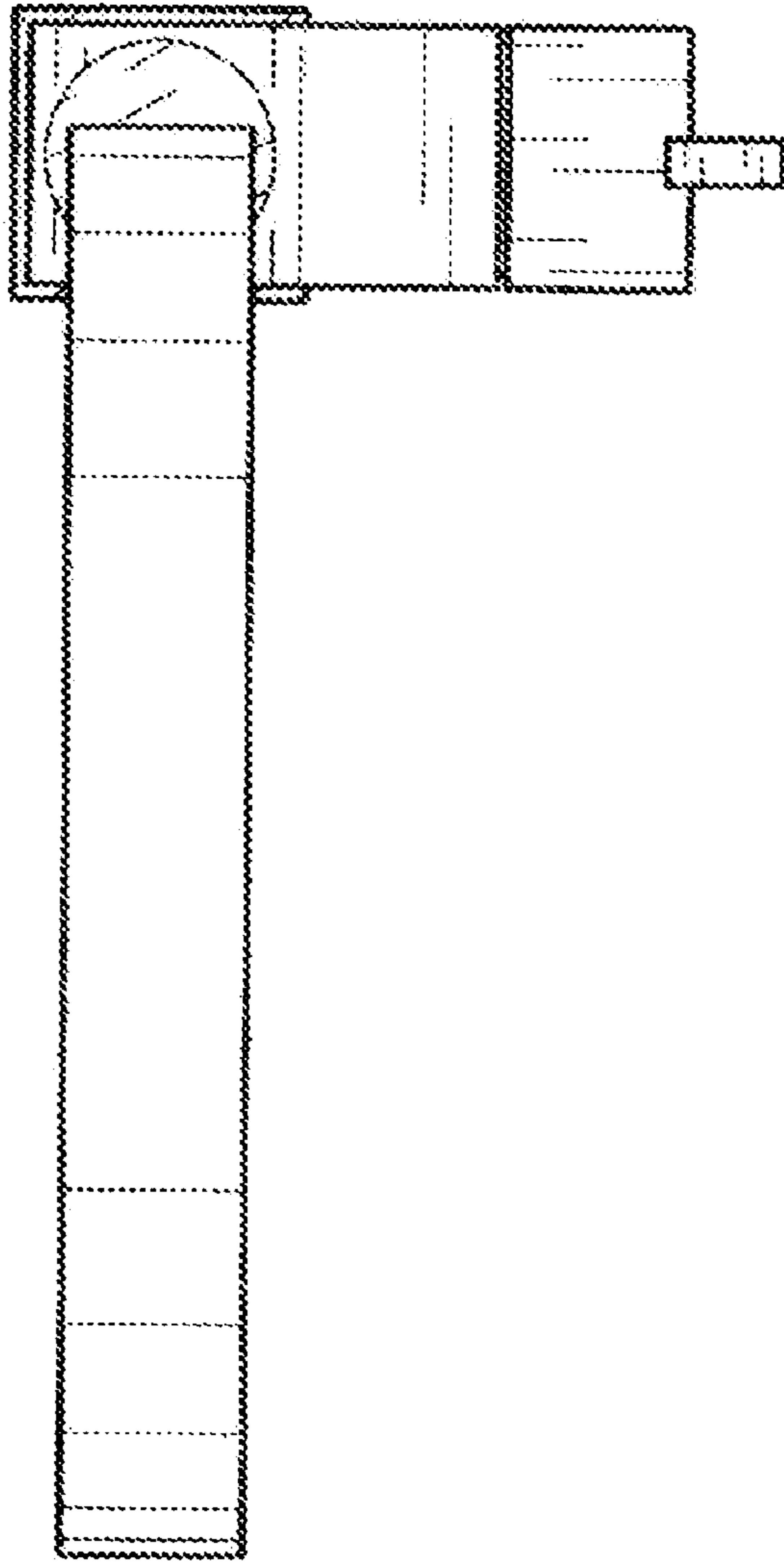


FIG. 6