



US00D536063S

(12) **United States Design Patent**
Childs et al.

(10) **Patent No.:** **US D536,063 S**

(45) **Date of Patent:** **** Jan. 30, 2007**

(54) **PORTABLE SPRAYER**

(75) Inventors: **Daniel K. Childs**, Chicago, IL (US);
Gregory J. Holderfield, Oak Park, IL (US)

(73) Assignee: **Clarke Consumer Products, Inc.**,
Roselle, IL (US)

(**) Term: **14 Years**

(21) Appl. No.: **29/233,181**

(22) Filed: **Jun. 29, 2005**

(51) **LOC (8) Cl.** **23-01**

(52) **U.S. Cl.** **D23/225; D23/213**

(58) **Field of Classification Search** D23/213,
D23/225, 211.1, 211.2; D9/742, 434, 516;
239/304, 353, 355, 358, 398

See application file for complete search history.

(56) **References Cited**

U.S. PATENT DOCUMENTS

D196,198 S * 9/1963 Corning et al. D23/225

4,790,454 A * 12/1988 Clark et al. 222/136
D358,330 S * 5/1995 Kahl D23/211.1
D418,201 S * 12/1999 Shanklin et al. D23/225
D432,372 S * 10/2000 Iacofano et al. D8/2

* cited by examiner

Primary Examiner—Robin Webster

(74) *Attorney, Agent, or Firm*—Cook, Alex, McFarron,
Manzo, Cummings & Mehler, Ltd.

(57) **CLAIM**

The ornamental design for a portable sprayer, as shown and described.

DESCRIPTION

FIG. 1 is a perspective view of our new design for a portable sprayer;

FIG. 2 is a right side elevation view thereof;

FIG. 3 is a left side elevation view thereof;

FIG. 4 is a front elevation view thereof;

FIG. 5 is a rear elevation view thereof;

FIG. 6 is a top plan view thereof; and,

FIG. 7 is a bottom plan view thereof.

1 Claim, 4 Drawing Sheets

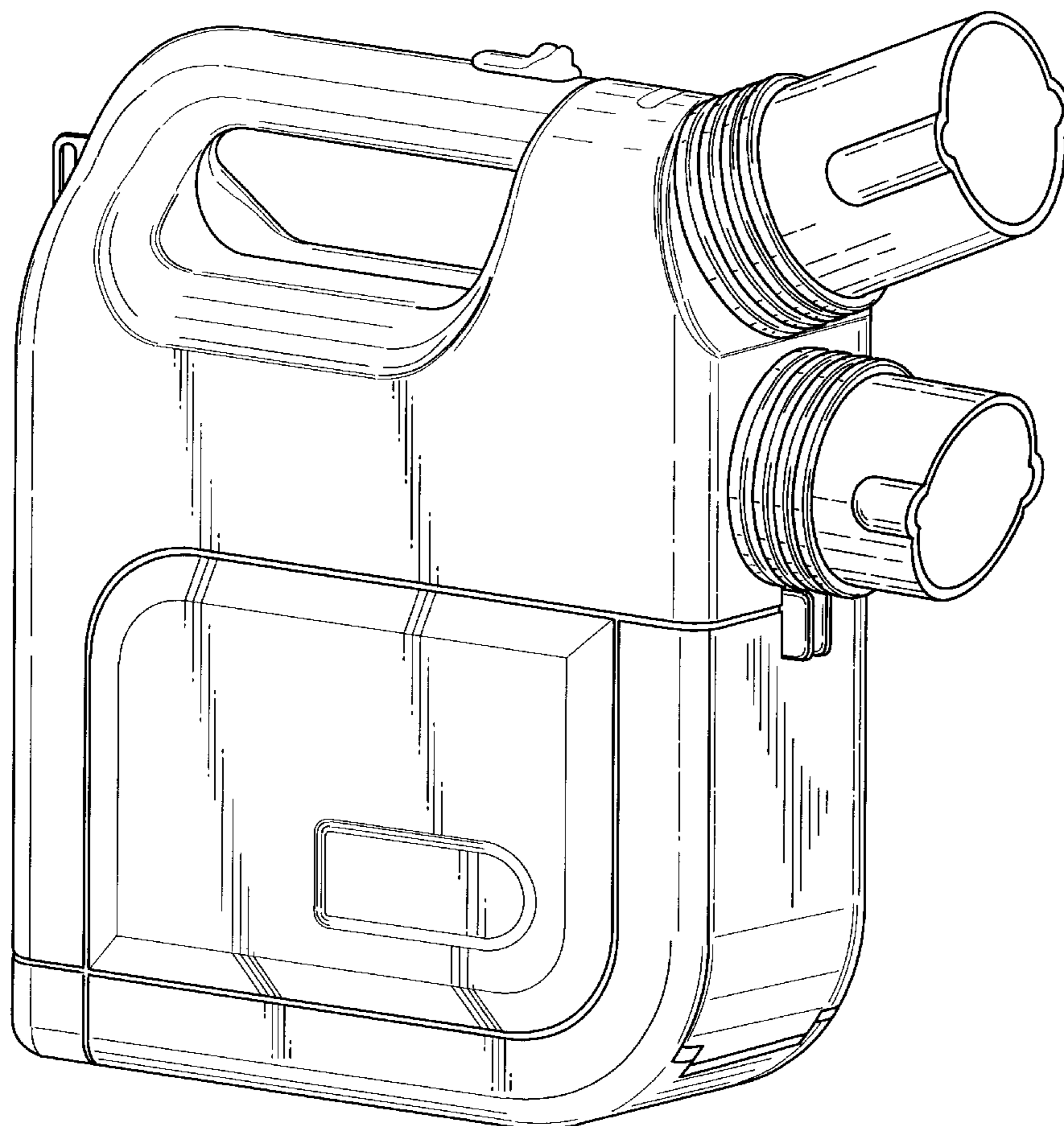
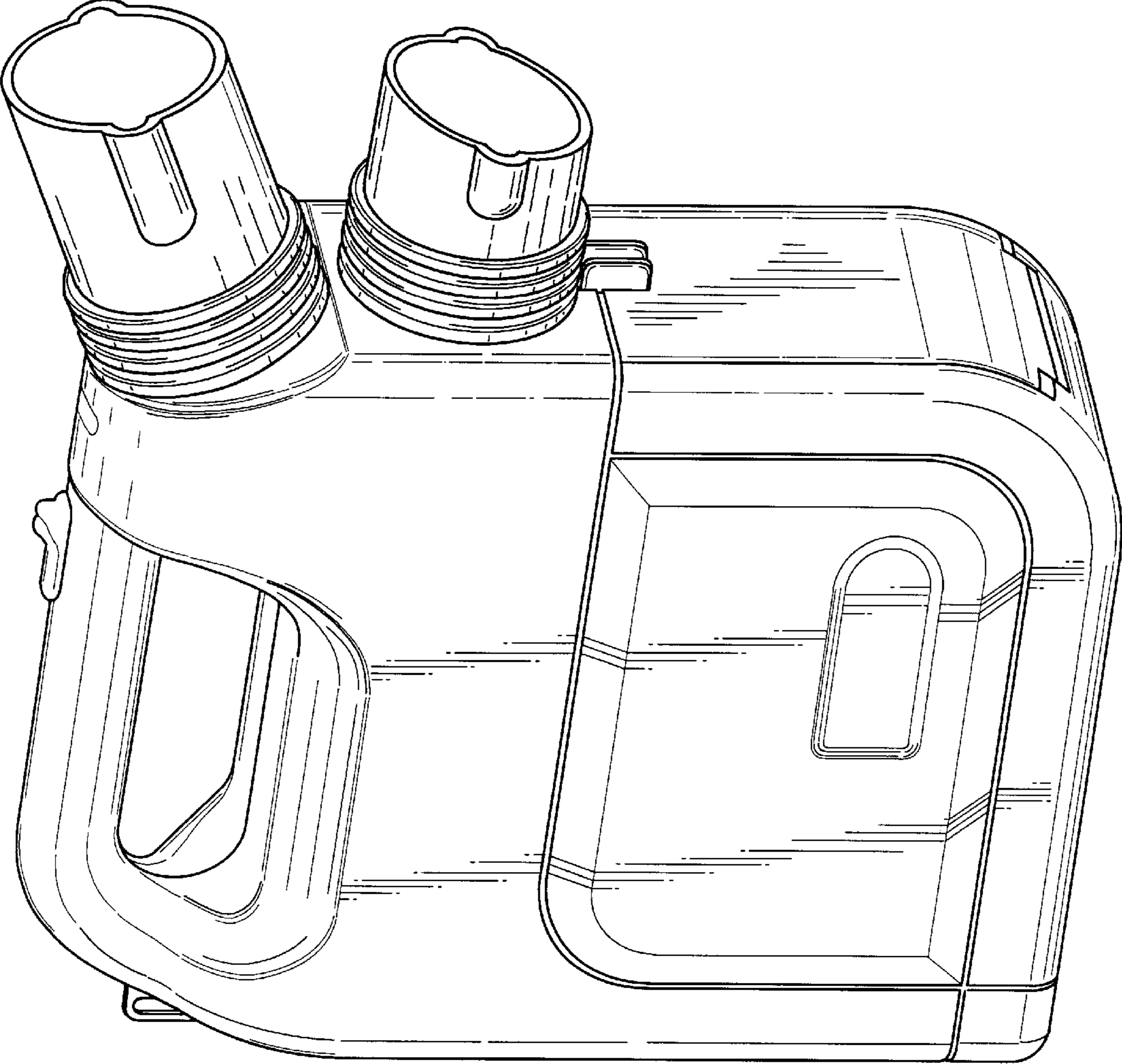


Fig. 1



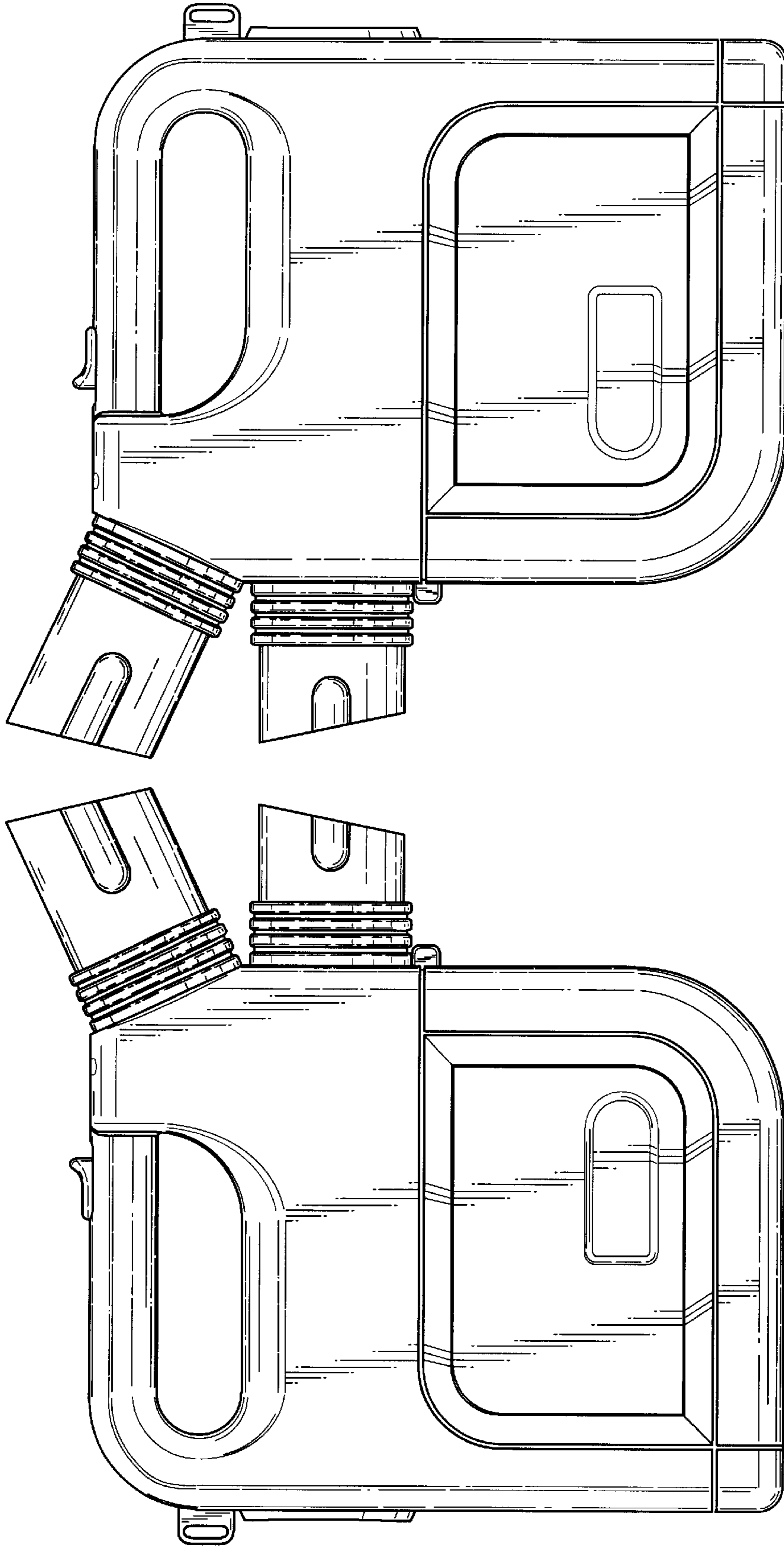


Fig. 3

Fig. 2

Fig. 5

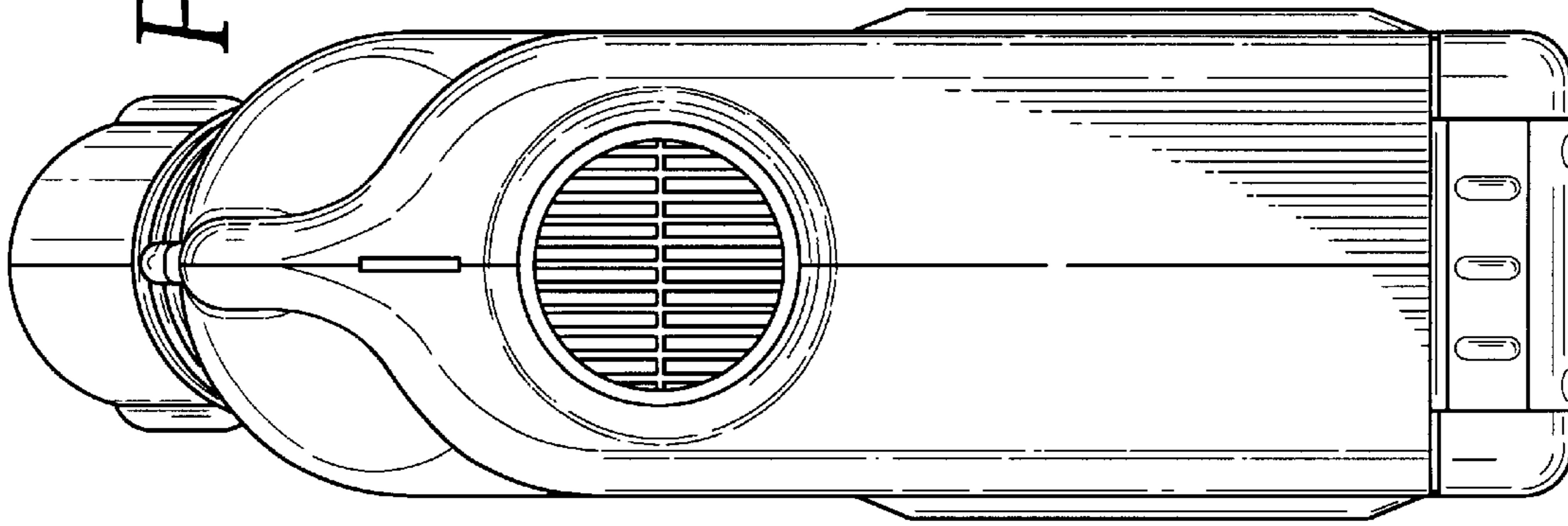


Fig. 4

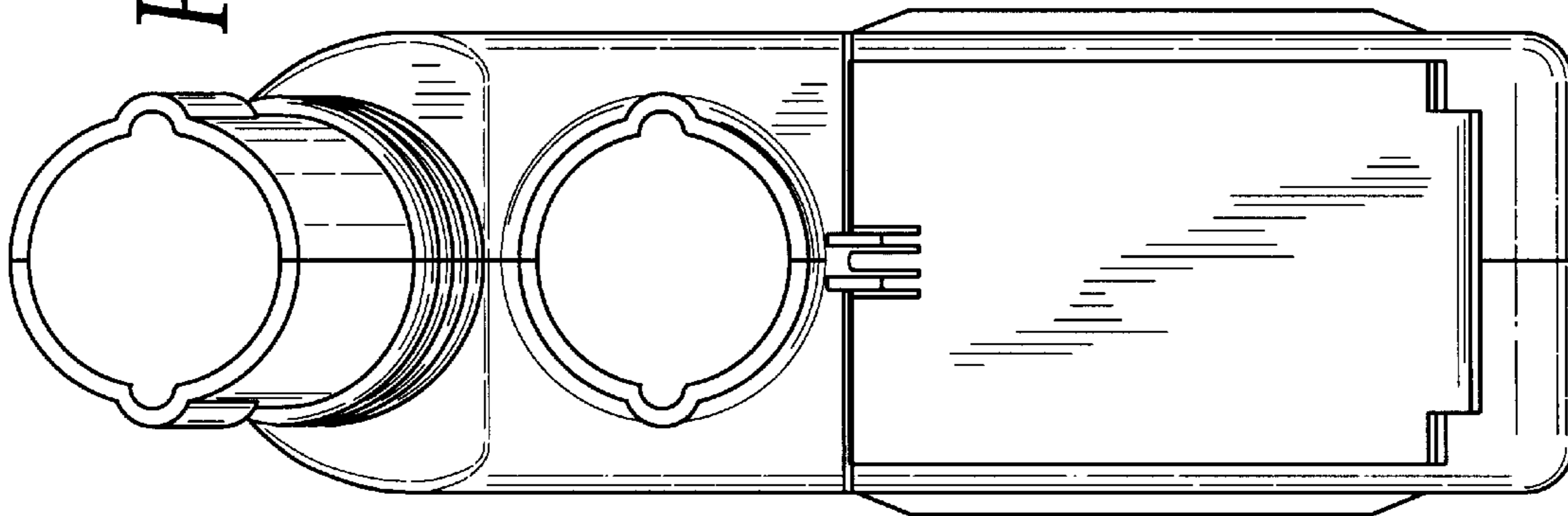


Fig. 7

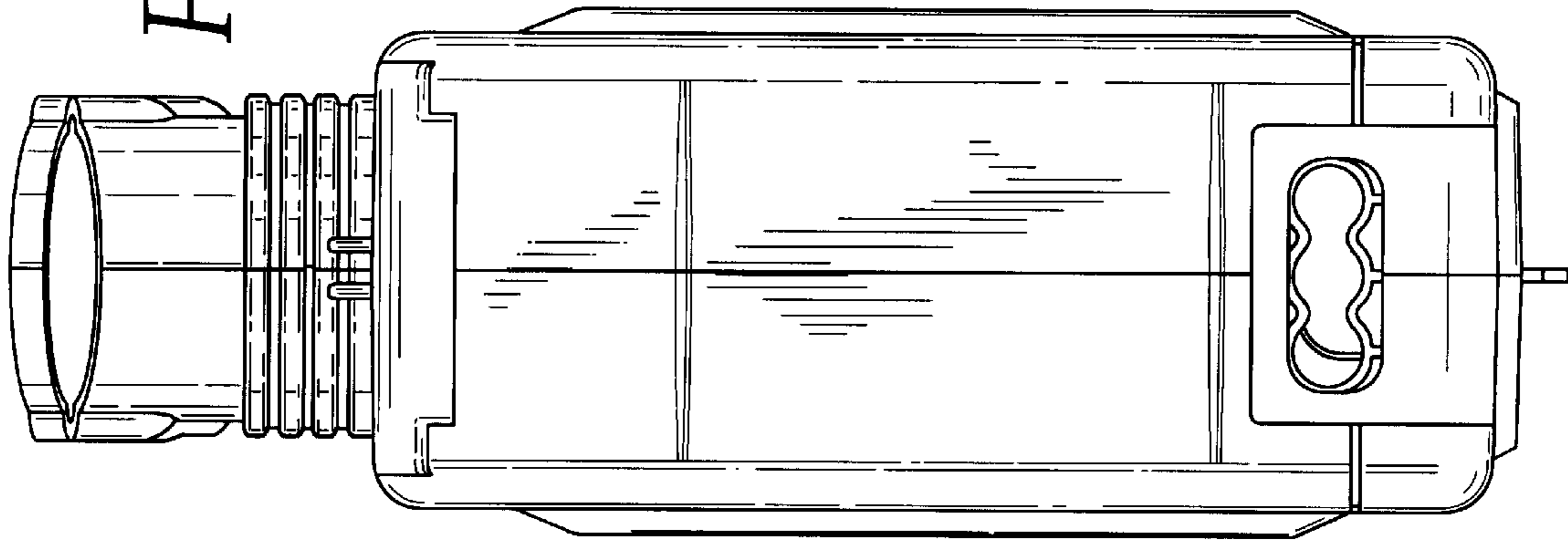


Fig. 6

