

US00D536061S

(12) **United States Design Patent**
Mather et al.

(10) **Patent No.:** **US D536,061 S**
(45) **Date of Patent:** **** Jan. 30, 2007**

(54) **TUBE**

6,892,960 B2 * 5/2005 Ptak et al. 239/398

(75) Inventors: **Brian D. Mather**, North Olmsted, OH (US); **Mike Bordner**, Green Springs, OH (US)

FOREIGN PATENT DOCUMENTS

WO WO2005/018823 3/2005

* cited by examiner

(73) Assignee: **Nordson Corporation**, Westlake, OH (US)

Primary Examiner—Robin Webster

(**) Term: **14 Years**

(74) *Attorney, Agent, or Firm*—Calfee, Halter & Griswold LLP

(21) Appl. No.: **29/230,893**

(57) **CLAIM**

(22) Filed: **May 27, 2005**

The ornamental design for a tube, as shown and described.

(51) **LOC (8) Cl.** **23-01**

DESCRIPTION

(52) **U.S. Cl.** **D23/213; D23/266**

(58) **Field of Classification Search** D23/213, D23/266, 223; 239/291, 302, 346; 361/227-8
See application file for complete search history.

FIG. 1 is a perspective view of a tube of the new design; FIG. 2 is a front elevational view of the tube of FIG. 1; FIG. 3 is a rear elevational view of the tube of FIG. 1; FIG. 4 is a top plan view of the tube of FIG. 1; FIG. 5 is a left side elevational view of the tube of FIG. 1; FIG. 6 is a right side elevational view of the tube of FIG. 1; and, FIG. 7 is a bottom plan view of the tube of FIG. 1.

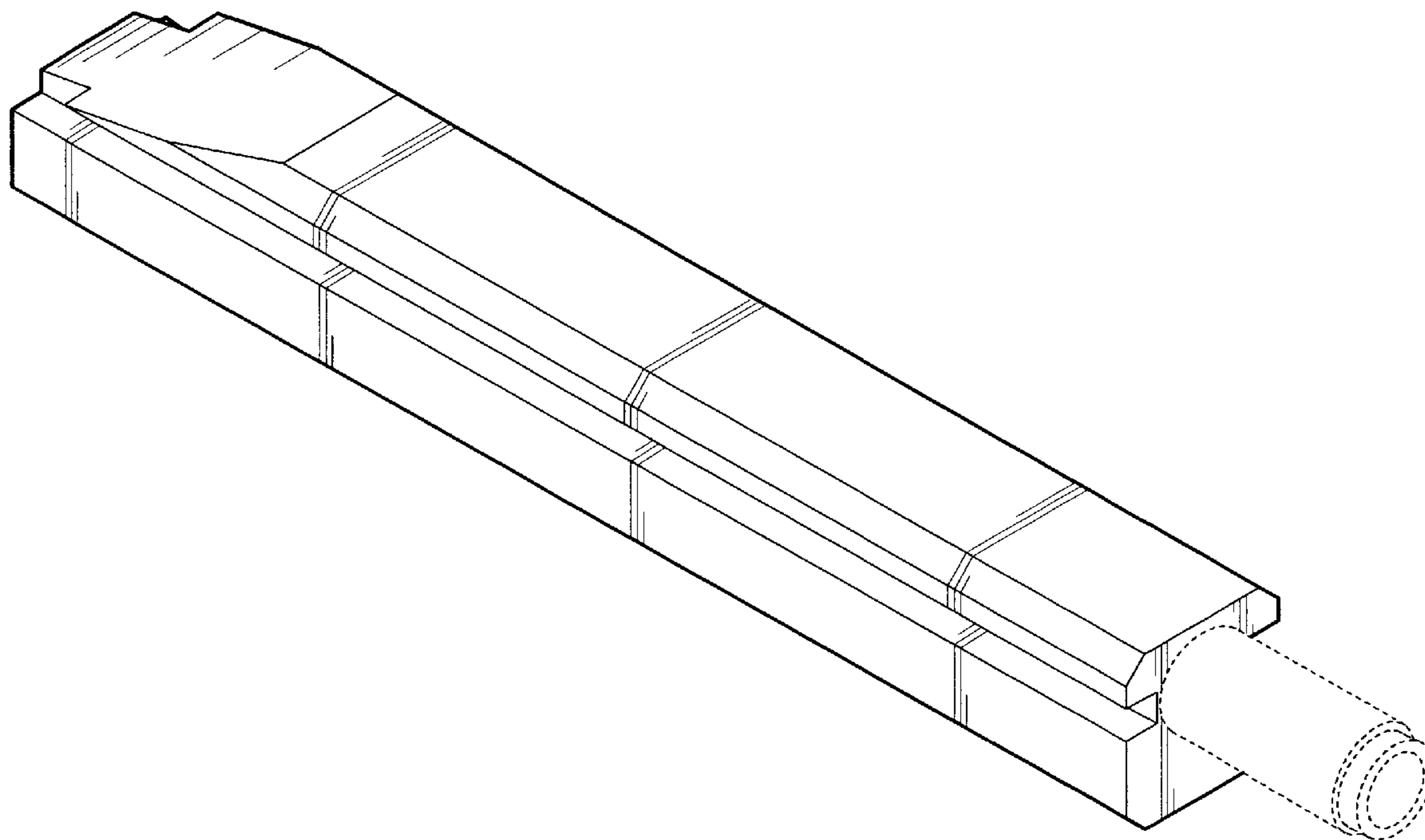
(56) **References Cited**

U.S. PATENT DOCUMENTS

- D200,557 S * 3/1965 Minden D23/226
- 5,687,913 A * 11/1997 Robisch et al. 239/346
- 5,832,974 A * 11/1998 Jou 141/392
- 6,691,931 B2 * 2/2004 Kitajima 239/346
- 6,789,742 B2 * 9/2004 Riley 239/117

The portions of the Figure shown in broken lines are not part of the claimed design and are for illustration only.

1 Claim, 2 Drawing Sheets



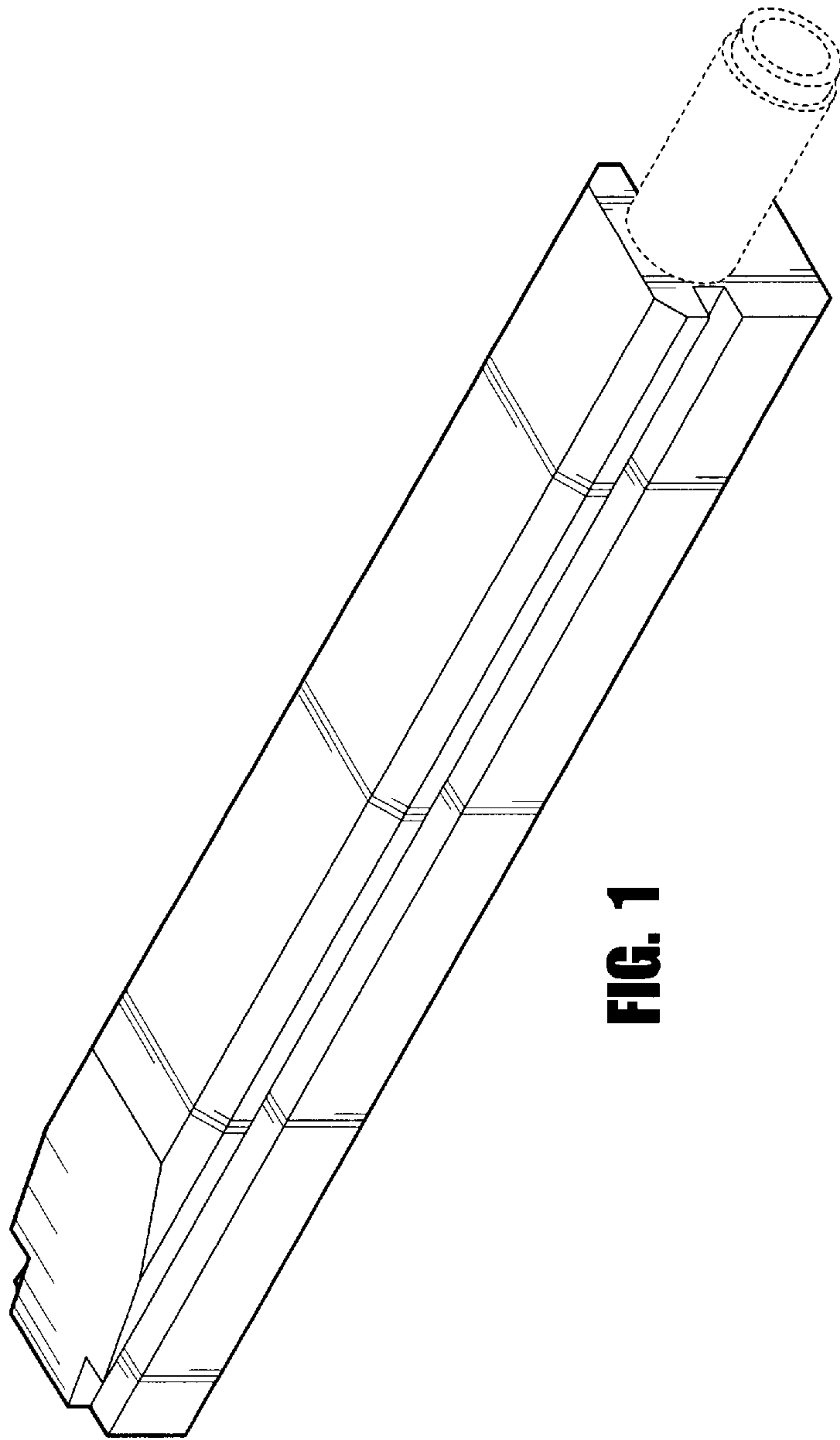


FIG. 1

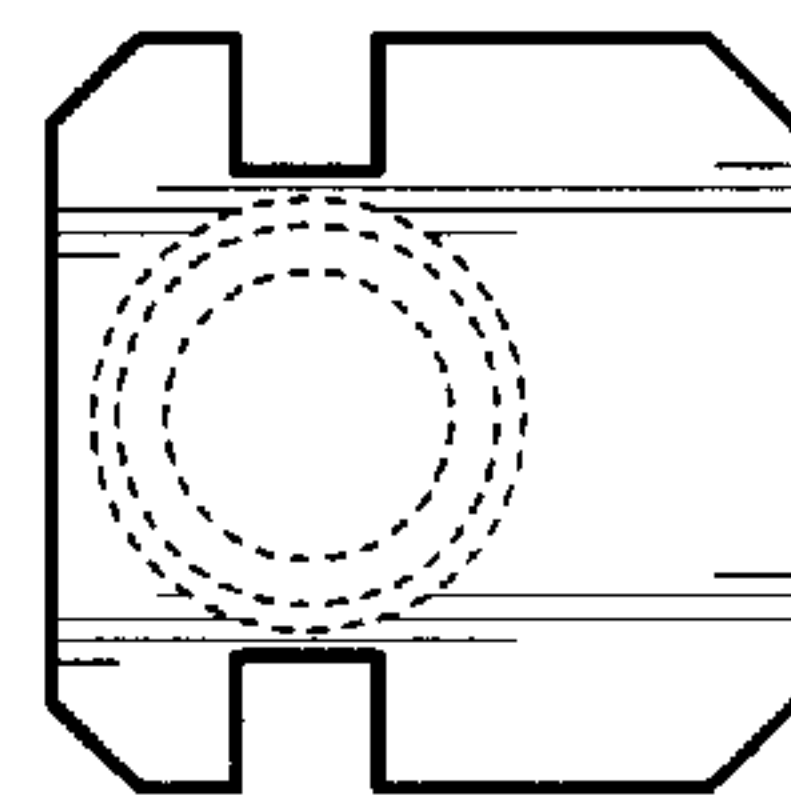


FIG. 2

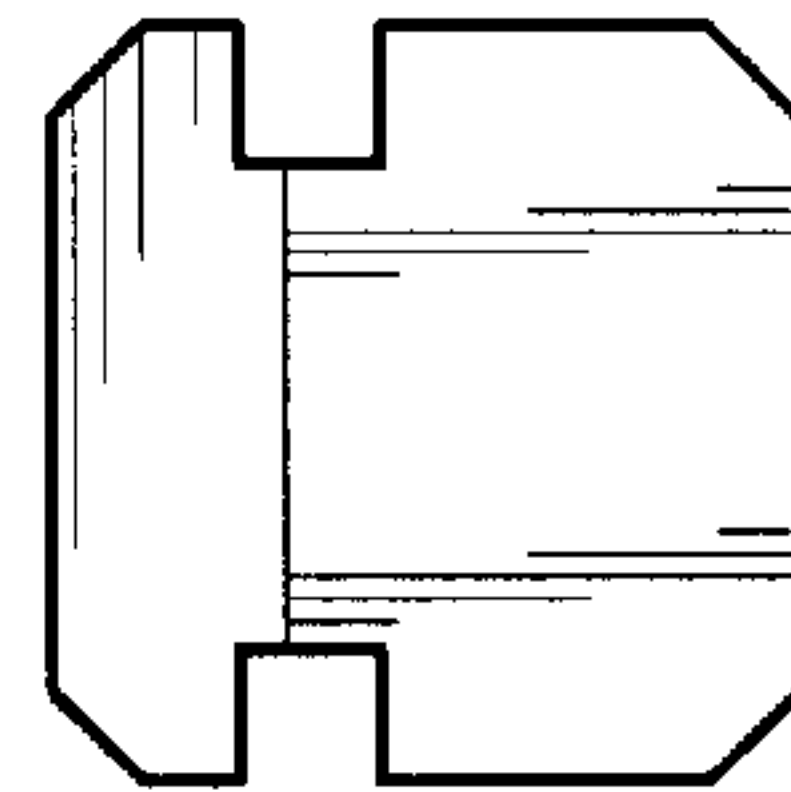


FIG. 3

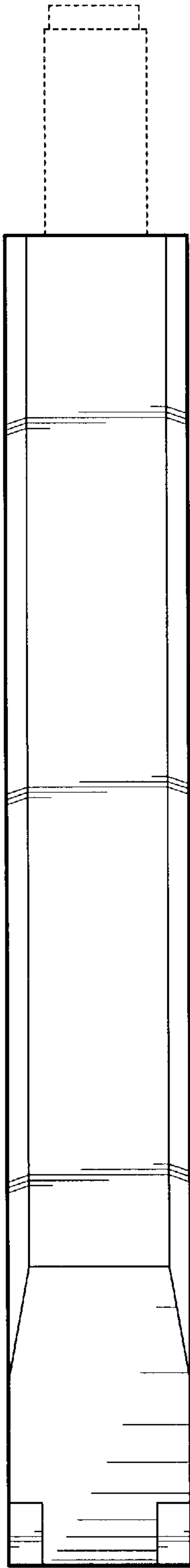


FIG. 4

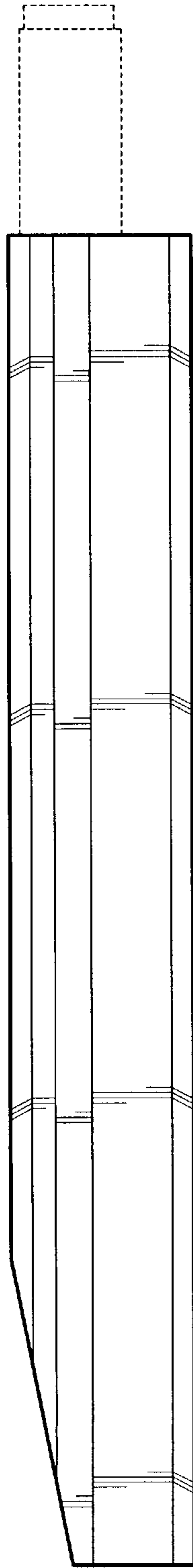


FIG. 5

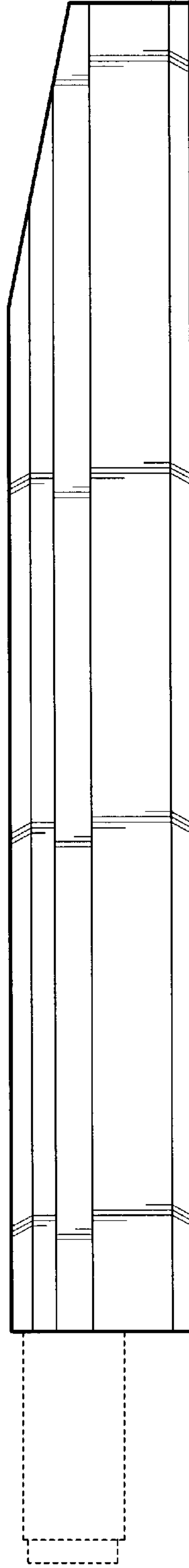


FIG. 6

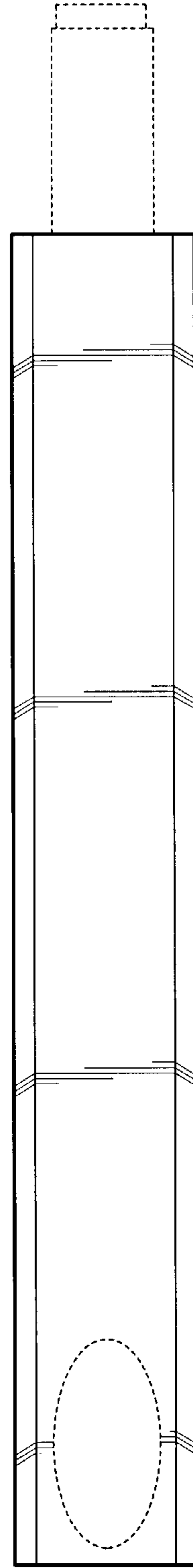


FIG. 7