



US00D536060S

(12) **United States Design Patent**
Sadler

(10) **Patent No.:** **US D536,060 S**

(45) **Date of Patent:** **** Jan. 30, 2007**

(54) **FOUR-SQUARE SHOWER FITTING**

D496,987 S * 10/2004 Glunk D23/213
D517,164 S * 3/2006 Lee D23/213

(75) Inventor: **Marc Sadler**, Milan (IT)

* cited by examiner

(73) Assignee: **American Standard Europe B.V.B.A.**,
Brussels (BE)

Primary Examiner—Robin Webster

(**) Term: **14 Years**

(57) **CLAIM**

(21) Appl. No.: **29/230,694**

The ornamental design for a four-square shower fitting, as shown and described.

(22) Filed: **May 25, 2005**

(30) **Foreign Application Priority Data**

Nov. 29, 2004 (EM) 000259155

(51) **LOC (8) Cl.** **23-01**

(52) **U.S. Cl.** **D23/213**

(58) **Field of Classification Search** D23/213,
D23/229–230; D24/201; 4/541.6; 239/282–3,
239/587.1, 587.5, 587.6

See application file for complete search history.

DESCRIPTION

FIG. 1 is a bottom perspective view of a four-square shower fitting showing my new design;

FIG. 2 is a top perspective view thereof;

FIG. 3 is a front view thereof with the rear view being a mirror image of the front view;

FIG. 4 is a bottom view thereof;

FIG. 5 is a top view thereof; and,

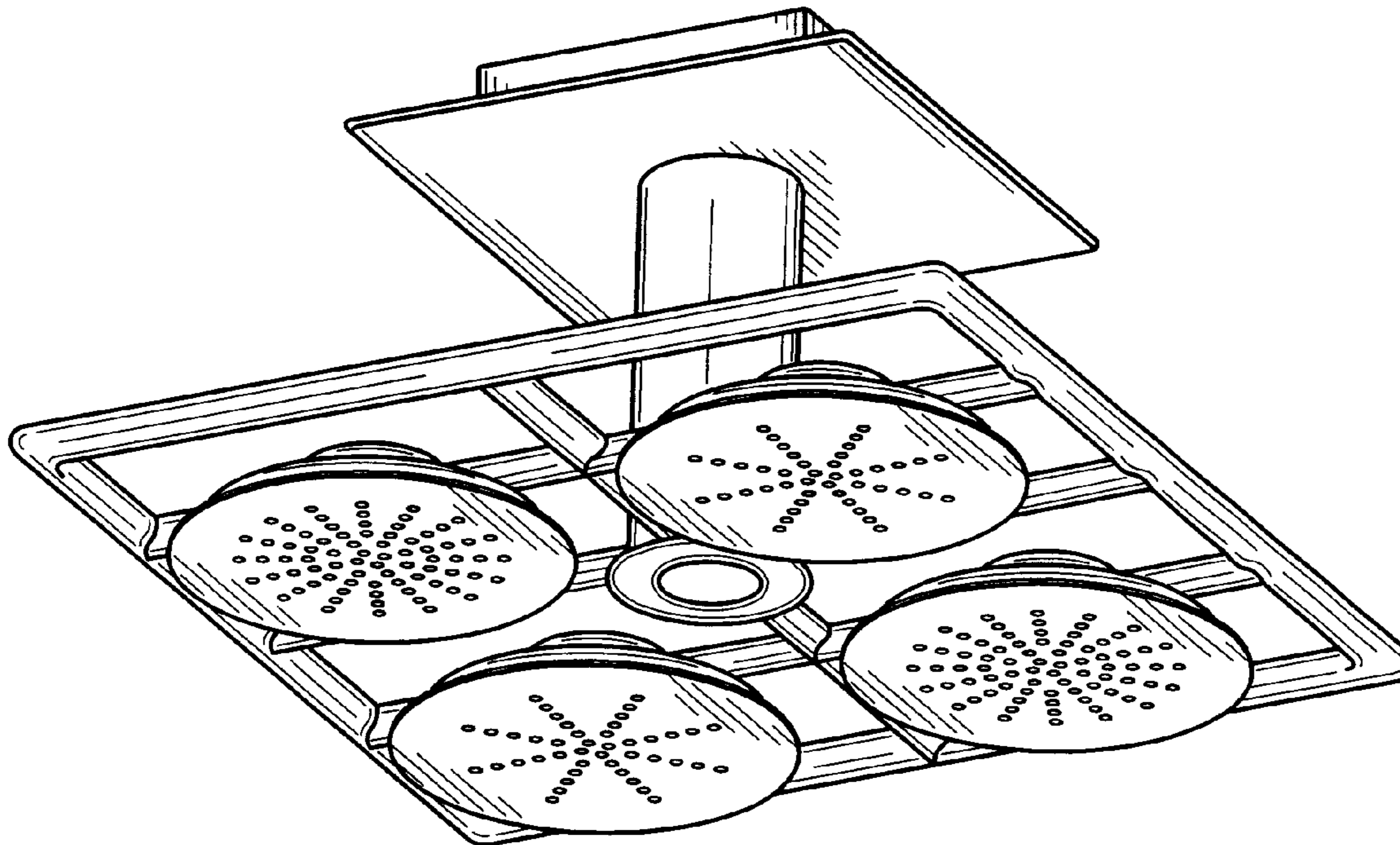
FIG. 6 is a left side view thereof with the right side view being a mirror image of the left side view.

(56) **References Cited**

U.S. PATENT DOCUMENTS

D346,428 S * 4/1994 Warshawsky D23/213

1 Claim, 4 Drawing Sheets



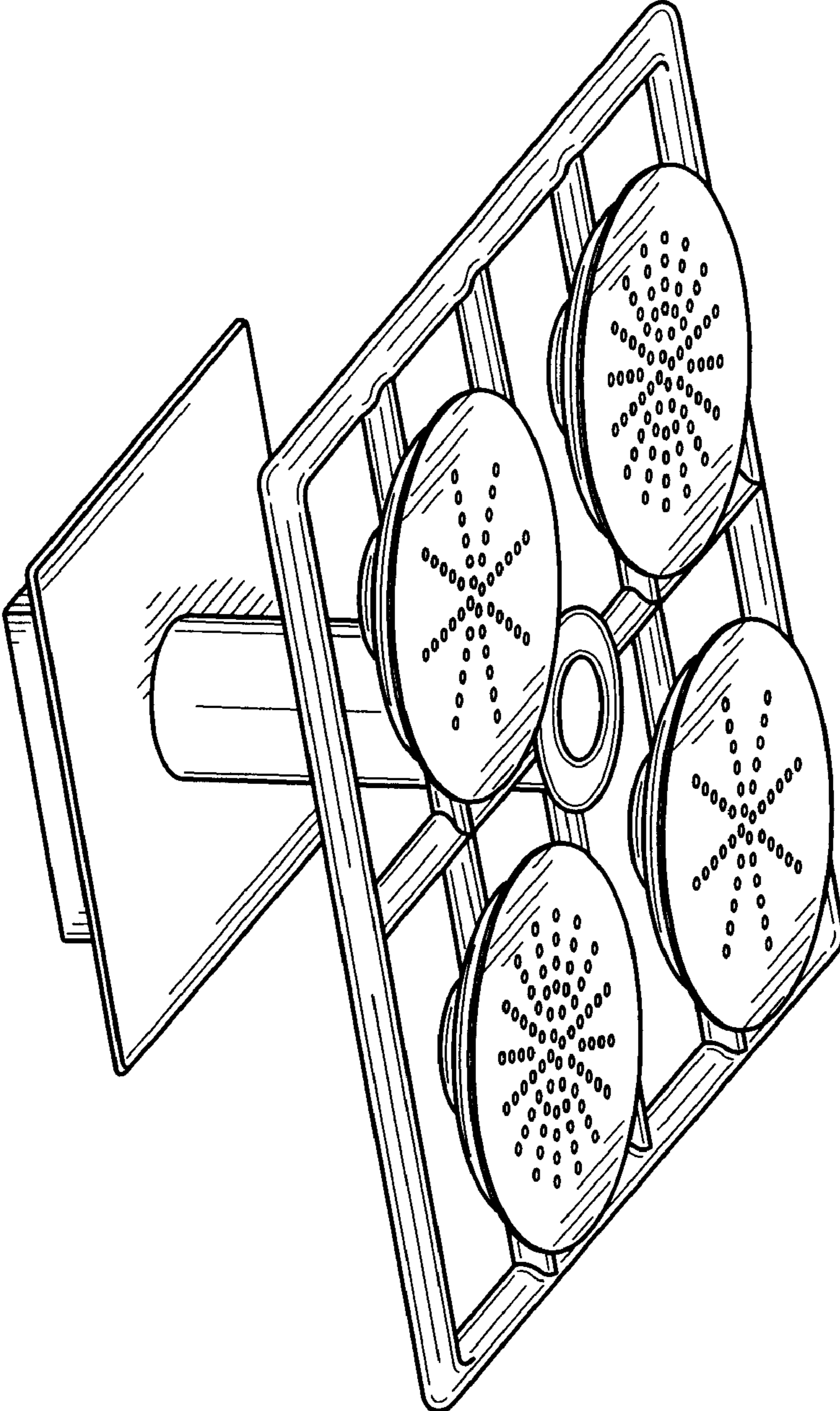


FIG. 1

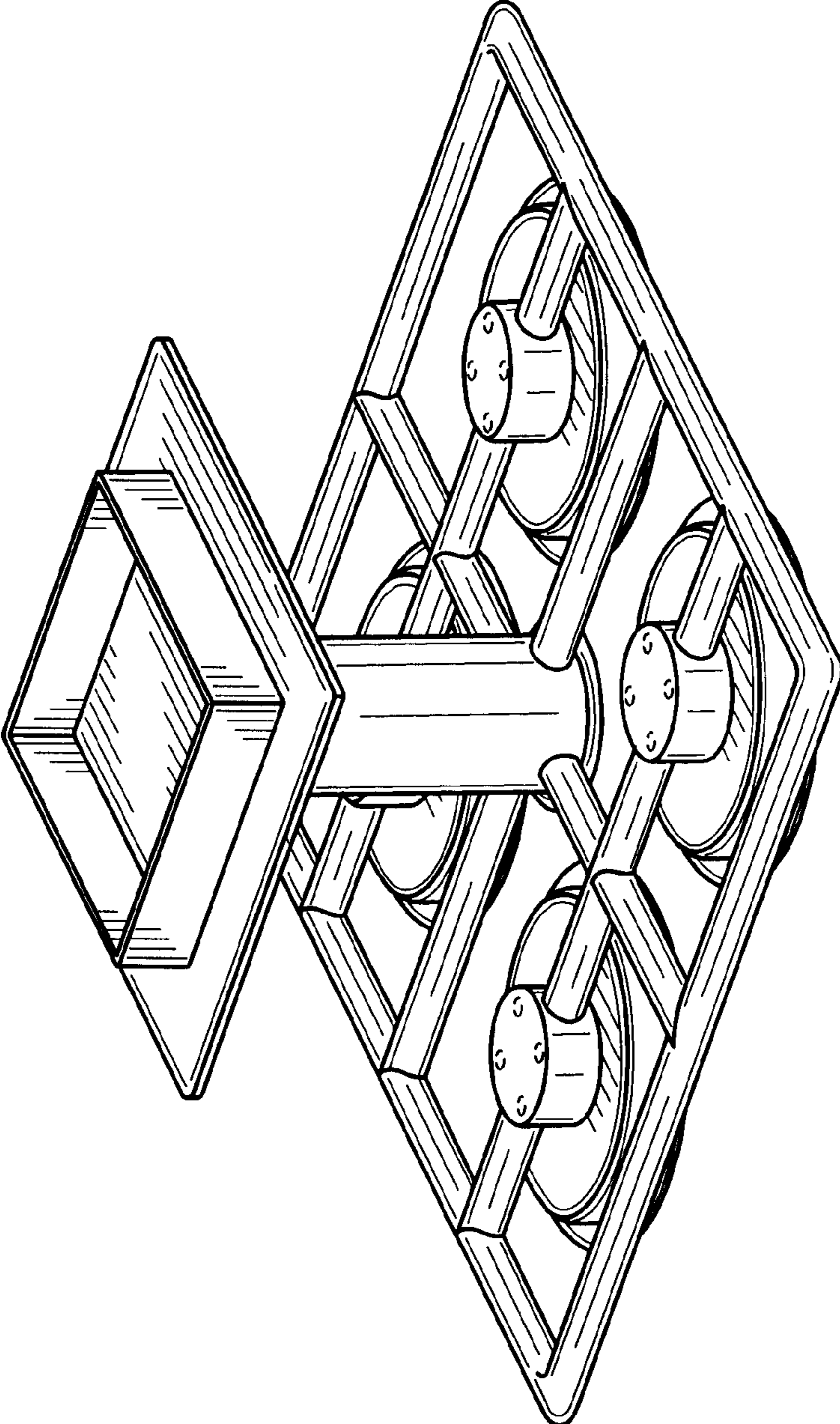


FIG. 2

FIG. 4

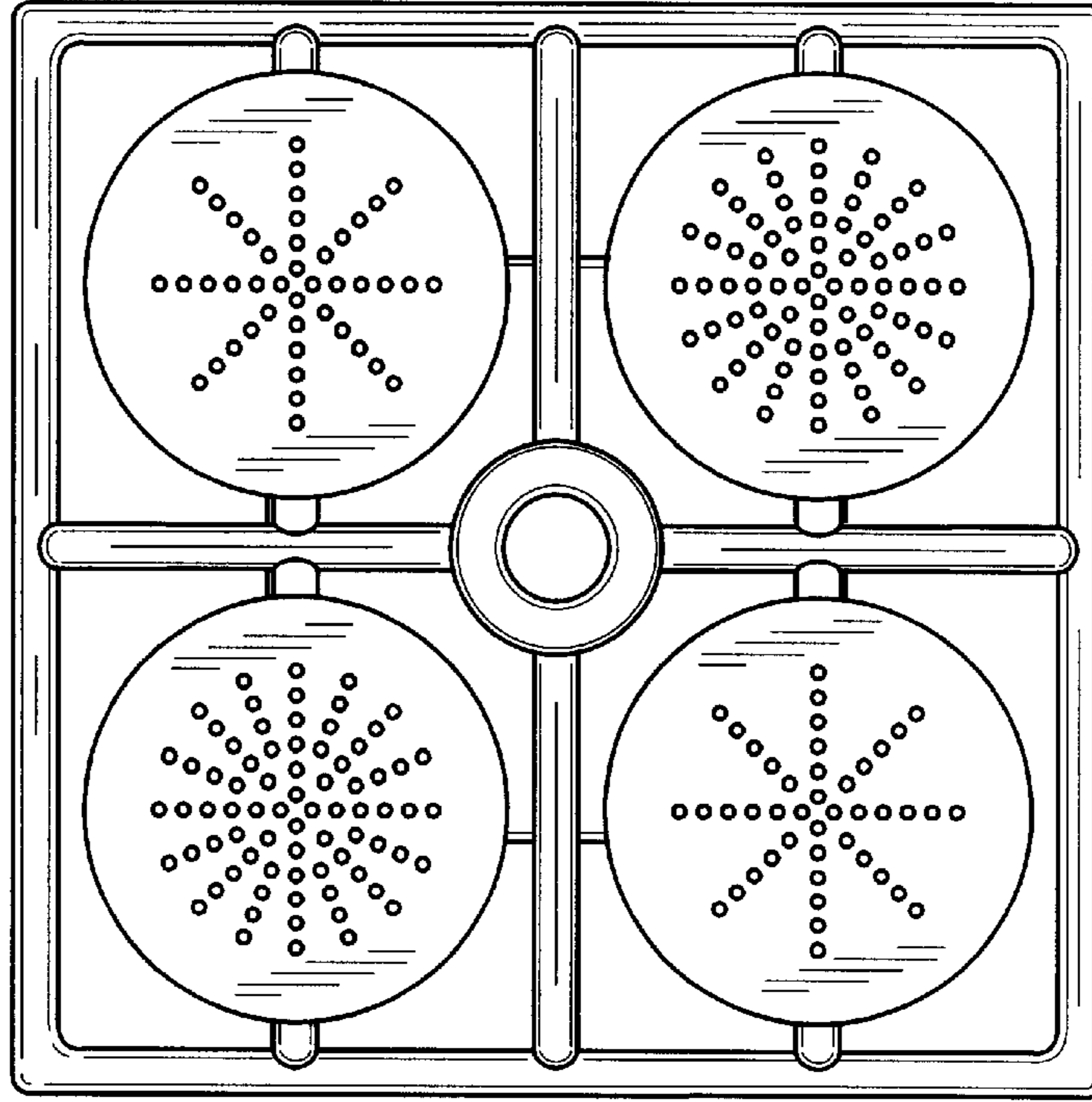


FIG. 3

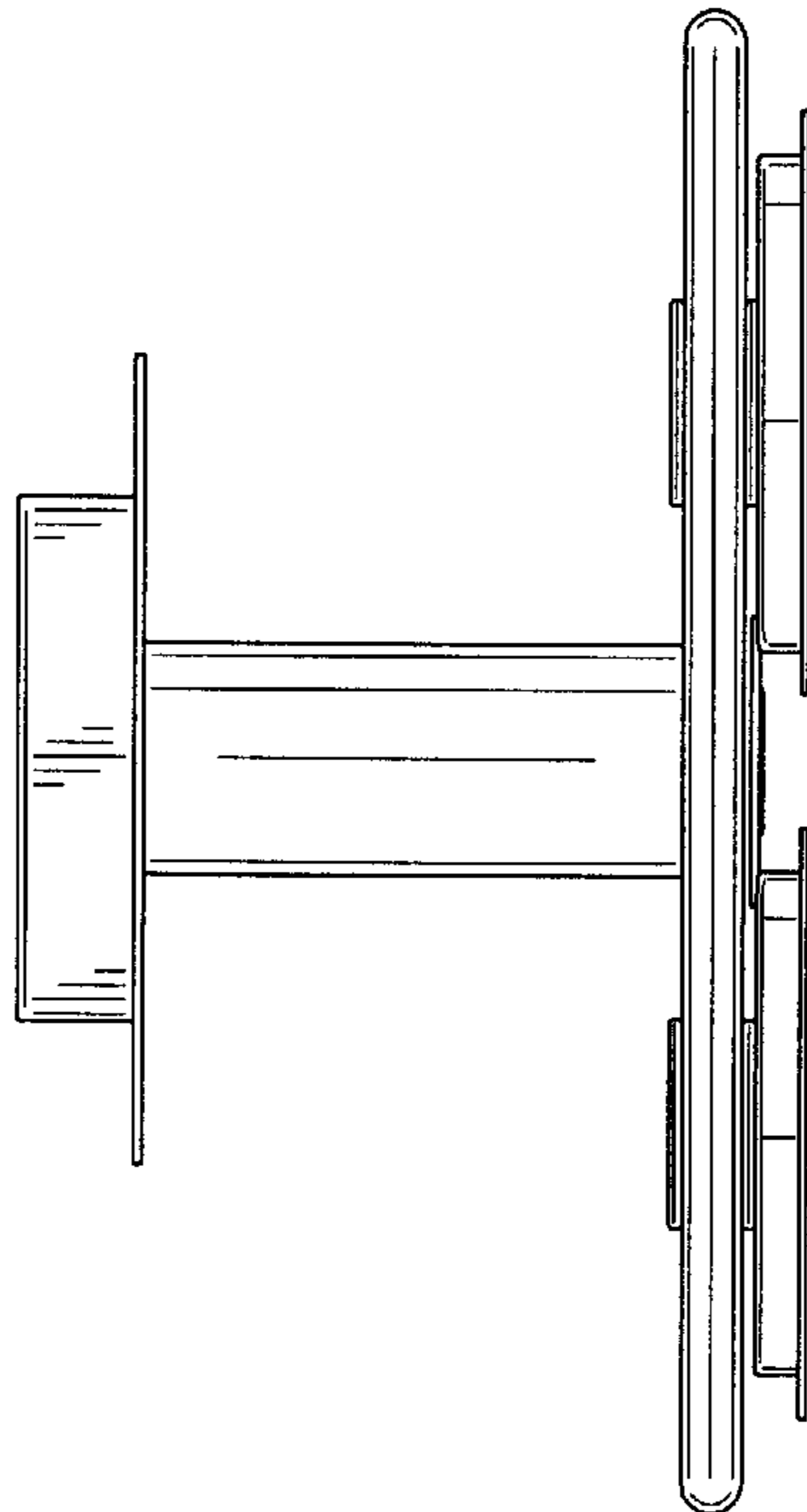


FIG. 6

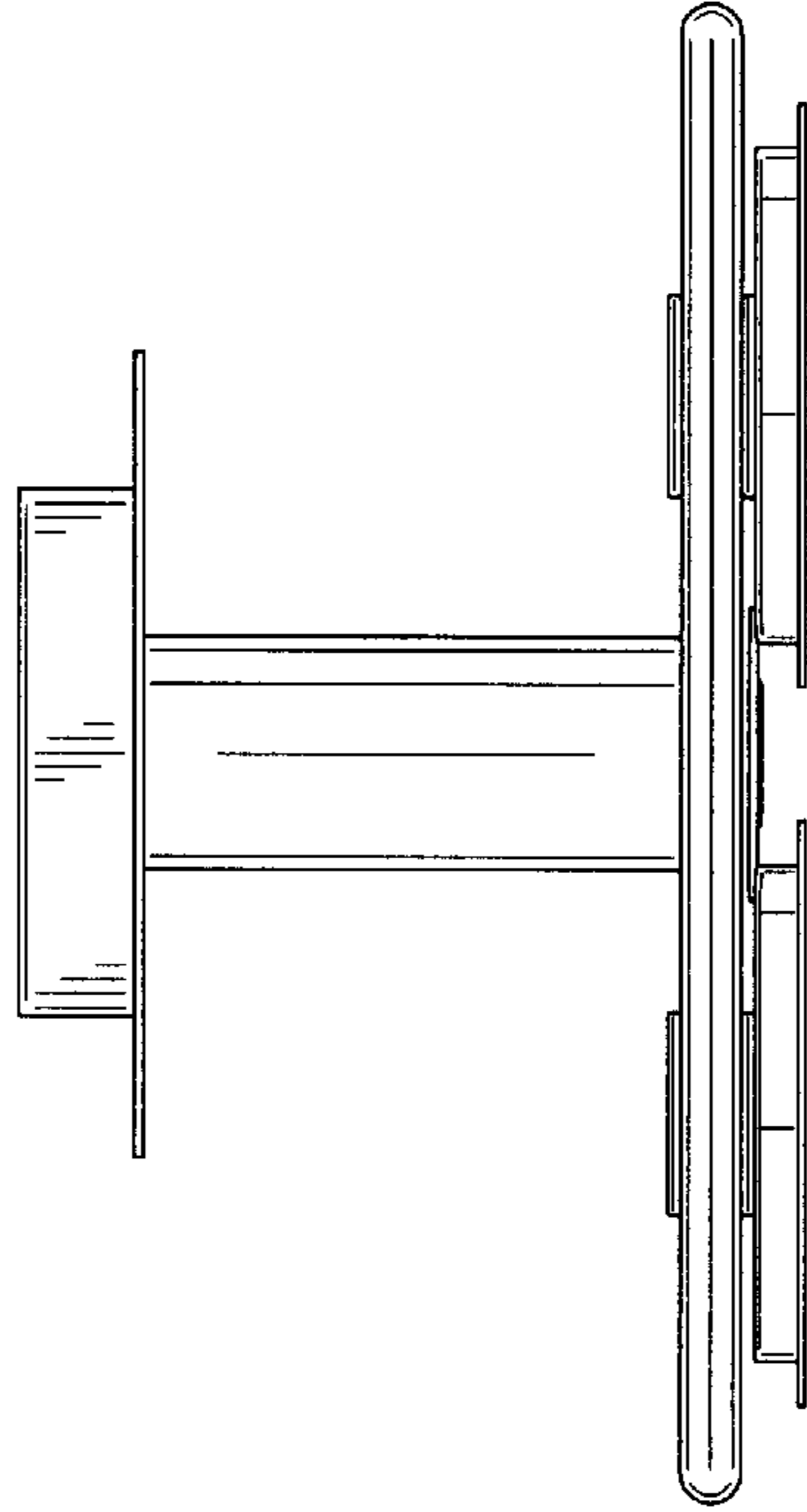


FIG. 5

